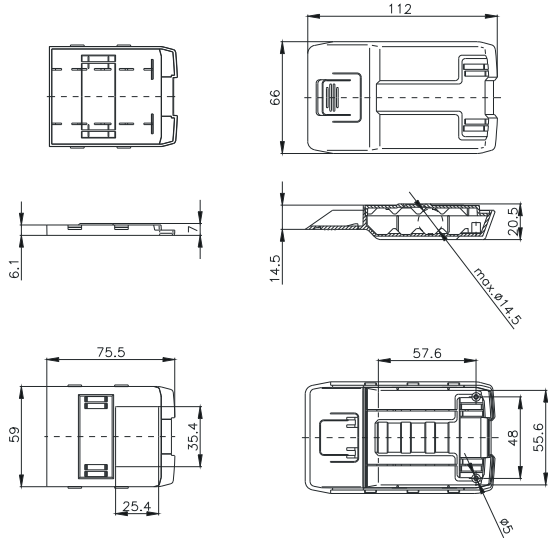


Taguan 180/230

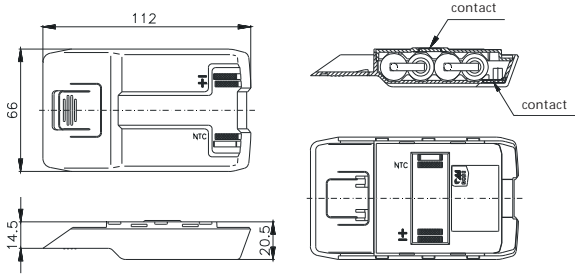
Accessories



Battery compartment empty
consisting of battery compartment and lid space for 4 micro-cells R6 (AA) side by side
Order No. 27.01 00 80



Battery pack
NIMH
Order No. 27.20 00 03

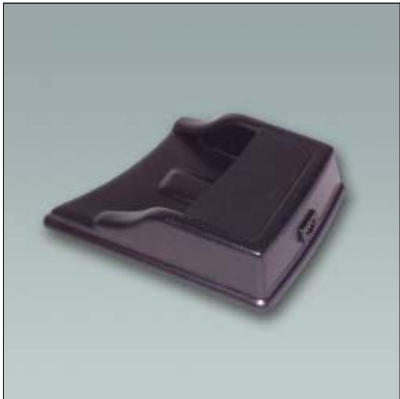
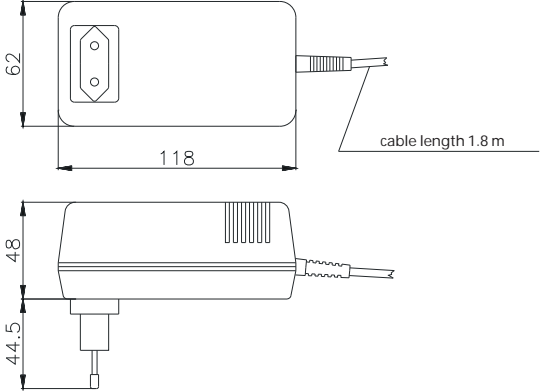


Battery holder
for mounting in the bottom part for 9 V monobloc.
Order No. 27.01 00 94

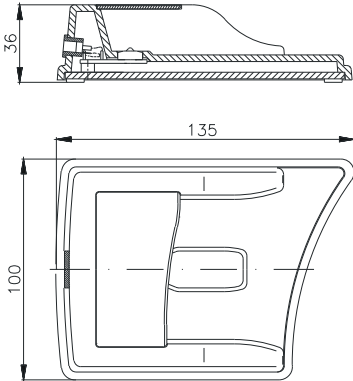
Accessories



Connector charger with primary adapter
Order No. 27.20 00 02



Battery charging station
Order No. 27.20 00 01



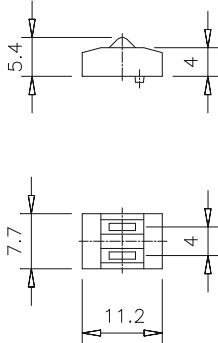
Taguan 180/230

Accessories



Spring contact 2-pol.
Counter-contacts for the battery pack (Company Bourns, type 70ADJ002ML1), for mounting in enclosure bottom part

Order No. 27.01 00 82

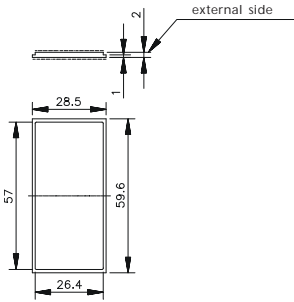


Head cover

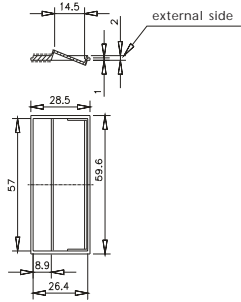
Version	Order No.
stepped in enclosure colour	27.01 00 85
stepped transparent	27.01 00 89
stepped for infrared	27.01 00 87
even in enclosure colour	27.01 00 91
even transparent	27.01 00 92
even for infrared	27.01 00 93

units per pack: 1 pc

even



stepped



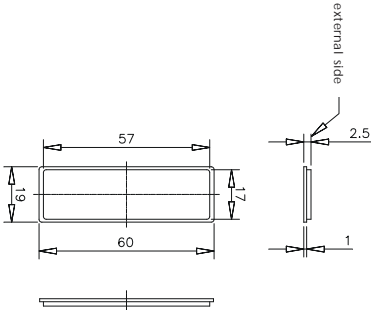
Accessories



Shaft cover

Version	Order No.
in enclosure colour	27.01 02 85
transparent	27.01 02 86
for infrared	27.01 02 87

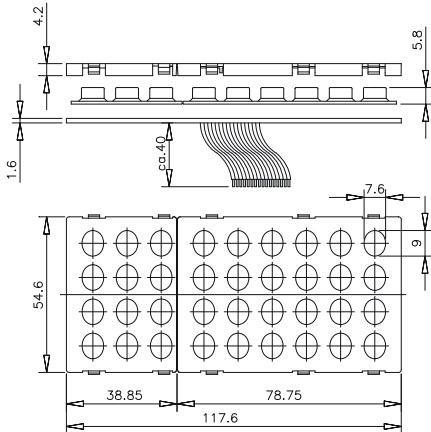
units per pack: 1 pc



Switching mat set consisting of keypad plate, silicone switching mat and keypad circuit board with connecting cable

for type	No. of keys	Order No.
Taguan 180/230	12*/**	27.01 00 95
Taguan 180	24**	27.01 04 81
Taguan 230	36	27.01 06 81

* Please remember the modification of the toppart for the flat cable
 ** Please not different heights by combination with closed cover



Taguan 180/230

Accessories



Display fixing set
for variable display mounting

Version for	Order No.
Taguan 180	27.01 04 80
Taguan 230	27.01 06 80



Hand strap
with Velcro fastener for adjustment, consisting
of holding strap, adapter and screws

Version for	Order No.
Taguan 180	27.01 04 84
Taguan 230	27.01 06 84



Wrist strap
to prevent falling down, or as carrying aid
Order No. 27.01 00 83