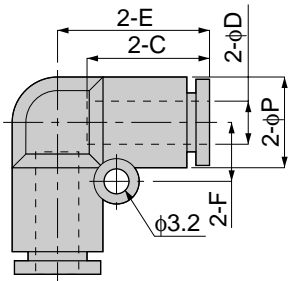


# Tube Fitting Series Mini-type

unit:mm

**PV**  
MINI TYPE  
Union Elbow

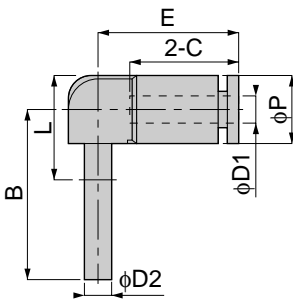


| Model   | Tube dia. $\phi D$ | $\phi P$ | C    | E  | F   | Mass (g) | Orifice ( $\phi$ mm) | Eff. a. ( $\text{mm}^2$ ) |
|---------|--------------------|----------|------|----|-----|----------|----------------------|---------------------------|
| PV 3M   | 3                  | 6        | 9.5  | 11 | 4.5 | 1.5      | 2                    | 2.3                       |
| PV 4M   | 4                  | 8        | 11   | 13 | 5.5 | 2        | 3                    | 4.8                       |
| PV 6M   | 6                  | 10.5     | 11.5 | 15 | 6.5 | 4        | 4                    | 9                         |
| PV 1/8M | 1/8                | 8        | 11   | 13 | 5.5 | 2        | 3                    | 2.1                       |



unit:mm

**PLJ**  
MINI TYPE  
Socket Elbow

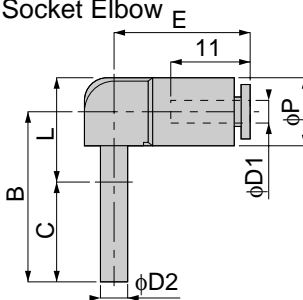


| Model  | Tube dia. $\phi D1$ | $\phi D2$ | B    | L  | $\phi P$ | C    | E    | Mass (g) | Orifice ( $\phi$ mm) | Eff. a. ( $\text{mm}^2$ ) |
|--------|---------------------|-----------|------|----|----------|------|------|----------|----------------------|---------------------------|
| PLJ 3M | 3                   | 3         | 21   | 15 | 7        | 9.5  | 13   | 1        | 1.5                  | 1.2                       |
| PLJ 4M | 4                   | 4         | 25   | 18 | 8        | 11   | 15   | 2        | 2.5                  | 3.2                       |
| PLJ 6M | 6                   | 6         | 29.5 | 23 | 10.5     | 11.5 | 16.5 | 3        | 3                    | 5.1                       |



unit:mm

**PLGJ**  
MINI TYPE  
Different Diam. Socket Elbow

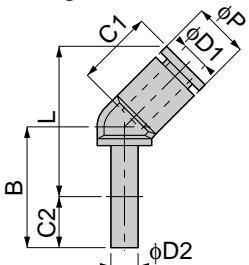


| Model       | Tube dia. $\phi D1$ | $\phi D2$ | B    | L  | $\phi P$ | C    | E  | Mass (g) | Orifice ( $\phi$ mm) | Eff. a. ( $\text{mm}^2$ ) |
|-------------|---------------------|-----------|------|----|----------|------|----|----------|----------------------|---------------------------|
| PLGJ 4-3M   | 3                   | 4         | 25   | 18 | 8.5      | 11   | 15 | 2        | 2.5                  | 2.3                       |
| PLGJ 4-1/8M | 1/8                 |           |      |    |          |      |    |          |                      | 2.4                       |
| PLGJ 6-3M   | 3                   | 6         | 29.5 | 23 | 10.5     | 11.5 | 16 | 3        | 2.5                  | 2.4                       |
| PLGJ 6-4M   | 4                   |           |      |    |          |      |    |          | 3                    | 4.2                       |
| PLGJ 6-1/8M | 1/8                 |           |      |    |          |      |    |          | 3                    | 4.2                       |



unit:mm

**PLHJ**  
MINI TYPE  
45-degree Socket Elbow



| Model   | Tube dia. $\phi D1$ | $\phi D2$ | B    | L    | $\phi P$ | C1   | C2   | Mass (g) | Orifice ( $\phi$ mm) | Eff. a. ( $\text{mm}^2$ ) |
|---------|---------------------|-----------|------|------|----------|------|------|----------|----------------------|---------------------------|
| PLHJ 4M | 4                   | 4         | 25.5 | 26.5 | 8        | 11   | 11   | 2        | 2.5                  | 3.2                       |
| PLHJ 6M | 6                   | 6         | 29   | 31.5 | 10.5     | 11.5 | 11.5 | 3        | 4                    | 5.1                       |

