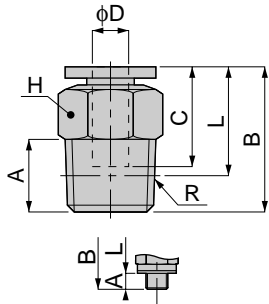


Tube Fitting Series SUS303 Type

unit:mm

SPC
SUS303

Straight



Metric thread type

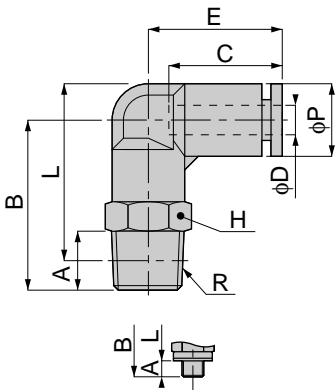


Model	Tube dia. φD	R	A	B	L	C	H	Mass (g)	Orifice (φmm)	Eff. a. (mm ²)		
SPC 4-M5	4	M5×0.8	3	20.5	17.5	15	10	6.5	1.8	1.9		
SPC 4-M50				23	20		8					
SPC 4-M6		M6×1	4	18.5	17.5		10				8.5	3
SPC 4-01								R1/8	8	15.5		
SPC 4-02		R1/4	11				14	16			5.3	
SPC 6-M5	6	M5×0.8	3	22.5	19.5	17	12	9	1.8	1.9		
SPC 6-M6				23.5	20		9.5				3	6.2
SPC 6-01		R1/8	8	23	19		14	17	4.6	12.5		
SPC 6-02											R1/4	11
SPC 6-03		R3/8	12	24	17		17	27				
SPC 8-01	8	R1/8	8	28	24	18	14	15	6	20		
SPC 8-02		R1/4	11	26.5	20.5		17				7	
SPC 8-03		R3/8	12	24	17.5		17	23				
SPC 10-01	10	R1/8	8	30.5	26.5	20	17	22.5	6	22.9		
SPC 10-02		R1/4	11	30	24			20				
SPC 10-03		R3/8	12	29.5	23			26			8.5	35
SPC 10-04		R1/2	15	30.5	22.5		21	49				
SPC 12-02	12	R1/4	11	36	30	23.5	21	43	8.5	35		
SPC 12-03		R3/8	12	32	25.5			35.5			11	59
SPC 12-04		R1/2	15	34	26			49.5				
SPC 16-03	16	R3/8	12	39.5	33	24.5	24	59.5	11	83.3		
SPC 16-04		R1/2	15	41.5	33.5			67			13	114

unit:mm

SPL
SUS303

Elbow



Metric thread type



Model	Tube dia. φD	R	A	B	L	φP	C	E	H	Mass (g)	Orifice (φmm)	Eff. a. (mm ²)		
SPL 4-M5	4	M5×0.8	3	21.5	24.5	10	15	17	10	9	1.8	1.5		
SPL 4-M6				22.5						9.5			3	4.2
SPL 4-01		R1/8	8	23.5	24.5			18.5	14	21	4.6	10		
SPL 4-02		R1/4	11	26.5	25.5									
SPL 6-M5	6	M5×0.8	3	22	25.5	12.5	17	19.5	12	12	1.8	1.5		
SPL 6-M6				23						12.5			3	6.1
SPL 6-01		R1/8	8	25	27			20	14	22	4.6	10		
SPL 6-02													R1/4	11
SPL 6-03		R3/8	12	30	29.5			17	35					
SPL 8-01	8	R1/8	8	28	31	14.5	18	23	14	18	6	16.5		
SPL 8-02		R1/4	11	31	32					24				
SPL 8-03		R3/8	12	33	33.5				17	37				
SPL 10-01	10	R1/8	8	36	38.5	17.5	20	26.5	17	31	6	22.4		
SPL 10-02		R1/4	11	37	39					34			8	30
SPL 10-03		R3/8	12	40	40.5					42				
SPL 10-04		R1/2	15	37.5					21	64				
SPL 12-02	12	R1/4	11	39	43	21	23.5	29.5	21	50.5	8	30		
SPL 12-03		R3/8	12	41.5	44.5					51.5			10	47
SPL 12-04		R1/2	15	33	39.5					66				
SPL 16-03	16	R3/8	12	47	53	25	24.5	33.5	22	81.5	13	80.2		
SPL 16-04		R1/2	15	51	55.5					85.5				