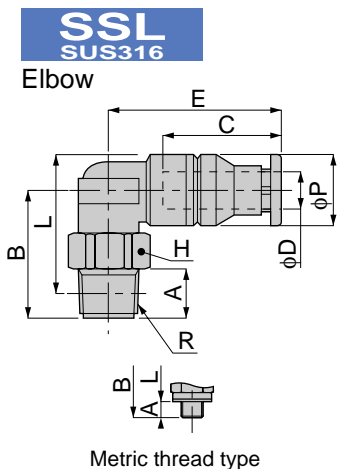


# Tube Fitting Series SUS316 Type

unit:mm

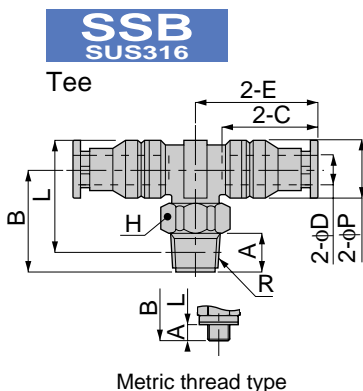


Model	Tube dia. φD	R	A	B	L	φP	C		E		H	Mass (g)	Orifice (φmm)	Eff. a. (mm <sup>2</sup> )				
							min	max	min	max								
SSL 4-M5	4	M5×0.8	3	17.5	20	10	17.5	18	22	22.5	10	11.5	2	3				
SSL 4-01		R1/8	8	20	21		17.5	18	22	22.5		14	3	3.8				
SSL 6-M5	6	M5×0.8	3	19.5	23	12	18.5	20	24	25.5	12	17.5	2	3				
SSL 6-01		R1/8	8	21	23							18.5	20	24	25.5	14	4.6	11.8
SSL 6-02		R1/4	11	24	24							18.5	20	24	25.5	14	26	10
SSL 8-01	8	R1/8	8	23	26	14	20.5	22	26	27.5	14	25	6	21				
SSL 8-02		R1/4	11	26	27							25		30.5	20.5			
SSL 10-02	10	R1/4	11	29	31.5	17	24	25.5	29.5	31	17	40.5	8	28				
SSL 10-03		R3/8	12	30	32							40.5		47.5	28			
SSL 12-03	12	R3/8	12	34	37.5	20	25.5	27.5	34	36	21	68.5	10	52				
SSL 12-04		R1/2	15	37	39							68.5		86	49.5			
SSL 16-04	16	R1/2	15	40	43.5	23.5	31	33	43.5	45.5	24	106.5	13	68.8				



1

unit:mm



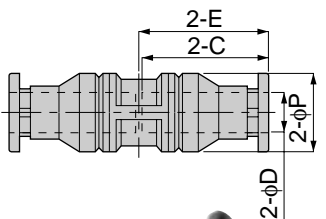
Model	Tube dia. φD	R	A	B	L	φP	C		E		H	Mass (g)	Orifice (φmm)	Eff. a. (mm <sup>2</sup> )	
							min	max	min	max					
SSB 4-M5	4	M5×0.8	3	17.5	20	10	17.5	18	22	22.5	10	16.5	2	3	
SSB 4-01		R1/8	8	20	21		17.5	18	22	22.5		19	3	3.5	
SSB 6-M5	6	M5×0.8	3	19.5	23	12	18.5	20	24	25.5	12	24.5	2	3	
SSB 6-01		R1/8	8	21	23							24.5	25.5	4.6	10.5
SSB 6-02		R1/4	11	24	24							24.5	33	10.5	
SSB 8-01	8	R1/8	8	23	26	14	20.5	22	26	27.5	14	33.5	6	20	
SSB 8-02		R1/4	11	26	27							33.5		38.5	20
SSB 10-02	10	R1/4	11	29	31.5	17	24	25.5	29.5	31	17	52.5	8	27	
SSB 10-03		R3/8	12	30	32							52.5		60	27
SSB 12-03	12	R3/8	12	34	37.5	20	25.5	27.5	34	36	21	90.5	10	51	
SSB 12-04		R1/2	15	37	39							90.5		108	52
SSB 16-04	16	R1/2	15	38	41.5	23.5	31	33	43.5	45.5	24	142.5	13	71	



1

unit:mm

## SSU SUS316 Union Straight

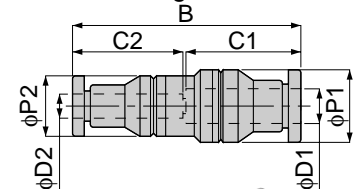


Model	Tube dia. φD	φP	C		E		Mass (g)	Orifice (φmm)	Eff. a. (mm <sup>2</sup> )
			min	max	min	max			
SSU 4	4	10	17.5	18	18	18.5	8.5	2.5	4.5
SSU 6	6	12	18.5	20	19	20.5	12	4.6	10.8
SSU 8	8	14	20.5	22	21	22.5	16	6	26
SSU 10	10	17	24	25.5	25	26.5	25	8.5	34.5
SSU 12	12	20	25.5	27.5	26.5	28.5	38	10	49.5
SSU 16	16	23.5	31	33	32	34	55.5	14	86



1

## SSG SUS316 Different Diam. Union Straight



Model	Tube dia. φD1	Tube dia. φD2	B		φP1	φP2	C1		C2		Mass (g)	Orifice (φmm)	Eff. a. (mm <sup>2</sup> )
			min	max			min	max	min	max			
SSG 6-4	6	4	36	38.5	12	10	18	19.5	17	18	10.5	4.9	4
SSG 8-6	8	6	39	42	14	12	20.5	22	18	19.5	14.5	16.6	10.5
SSG 10-8	10	8	45	48	17	14	23.5	25	20.5	22	21.5	28.3	23
SSG 12-10	12	10	48.5	52	20	17	25	27	23.5	25	34	56.7	29.5
SSG 16-12	16	12	56.5	61	23.5	20	30.5	33	25	27	49.5	78.5	42



1