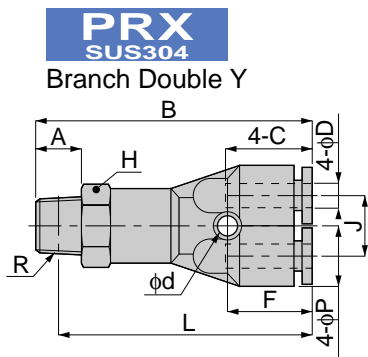


Tube Fitting Series SUS304 Type

unit:mm

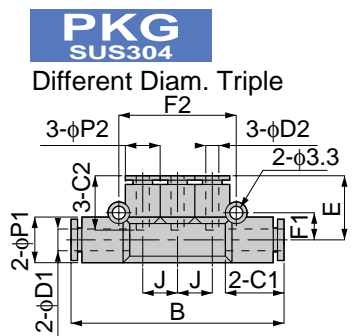


PRX
SUS304
Branch Double Y

Model	Tube dia. φD	R	A	B	L	φP	C	J	H	φd	F	Mass (g)	Orifice (φmm)	Eff. a. (mm ²)
PRX 4-01SUS	4	R1/8	8	46	42	10.5	15	10	12	3.2	14	21.5	2.3	1.5
PRX 4-02SUS		R1/4	11	49	43				14					1.4
PRX 6-01SUS	6	R1/8	8	50.5	46.5	13	17	13	14	3.5	16	29	3.9	9



unit:mm

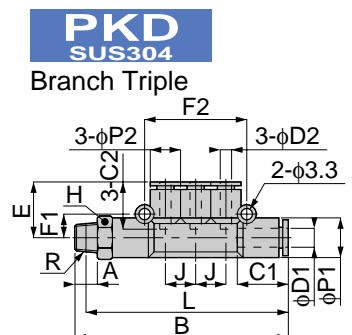


PKG
SUS304
Different Diam. Triple

Model	Tube dia. φD1	Tube dia. φD2	B	φP1	φP2	C1	C2	J	E	F1	F2	Mass (g)	Orifice (φmm)	Eff. a. (mm ²)
PKG 6-4SUS	6	4	60	13	10	17	15	10	18.5	8	34	16	3	5
PKG 8-4SUS	8	4	62.5	15	10	18	15	10	19	9	34	19	3	6
PKG 8-6SUS		6	69.5											
PKG 10-6SUS	10	6	80	18	15	20	17	14	24	10.5	46	31	4.6	11.2
PKG 10-8SUS		8												



unit:mm



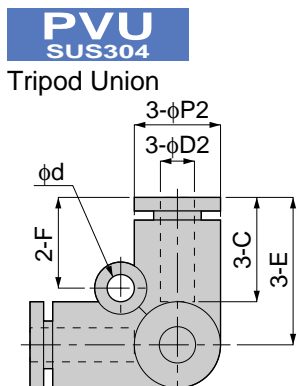
PKD
SUS304
Branch Triple

Model	Tube dia. φD1	Tube dia. φD2	R	A	B	L	φP1	φP2	C1	C2	J	E	H	F1	F2
PKD 6-4-01SUS	6	4	R1/8	8	68.5	64.5	13	10	17	15	10	18.5	12	8	34
PKD 8-4-02SUS	8	4	R1/4	11	74	68	15	10	18.5	15	10	19.5	14	9	34
PKD 8-6-02SUS		6			81	75									
PKD 10-8-03SUS	10	8	R3/8	12	93.5	87	18	15	20.5	18.5	14	24	17	10.5	46

Model	Mass (g)	Orifice (φmm)	Eff. a. (mm ²)
PKD 6-4-01SUS	23	3	5
PKD 8-4-02SUS	33.5	3	5.2
PKD 8-6-02SUS	36.5	4.6	9.6
PKD 10-8-03SUS	59.5	7	19.1



unit:mm



PVU
SUS304
Tripod Union

Model	Tube dia. φD	φP	C	E	φd	F	Mass (g)	Orifice (φmm)	Eff. a. (mm ²)
PVU 4SUS	4	10	15	17	3.2	10.5	7.5	3	3.7
PVU 6SUS	6	12.5	17	20.5	4.2	12.5	10.5	4.6	8.3
PVU 8SUS	8	14.5	18	22.5	4.2	12.5	15	6	16
PVU 10SUS	10	18	20	26.5	4.2	14.5	25.5	8	30.2
PVU 12SUS	12	21.5	23.5	29.5	4.2	15.5	36	10	40.2

