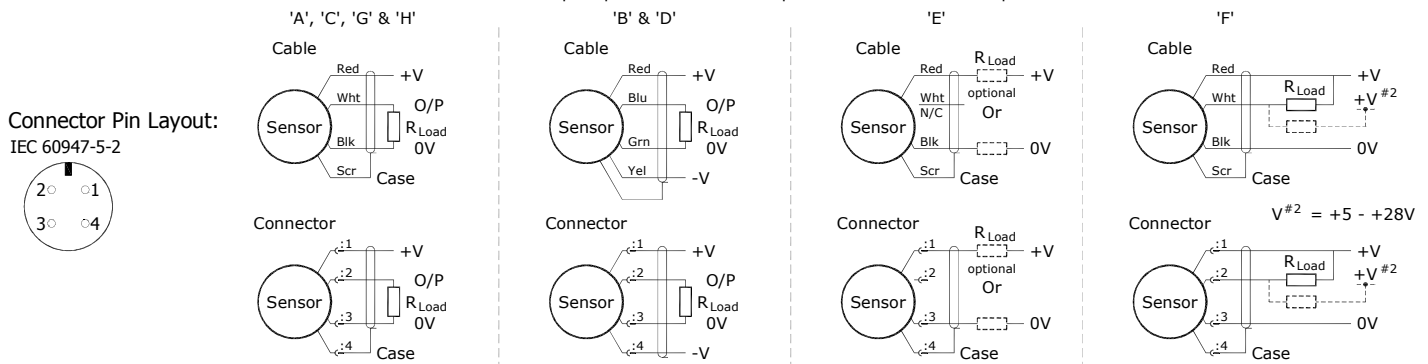


# Installation Information

## LIPS<sup>®</sup> P117 SLIM-LINE LINEAR POSITION SENSOR

Output Option	Output Description:	Supply Voltage: V <sub>s</sub> (tolerance)	Load resistance: (include leads for 4 to 20mA O/Ps)
<b>A</b>	0.5 - 4.5V (ratiometric with supply)	+5V (4.5 - 5.5V)	≥ 5kΩ
<b>C</b>	0.5 - 9.5V	+24V nom. (13 - 28V)	≥ 5kΩ
<b>G</b>	0.5 - 4.5V	+24V nom. (9 - 28V)	≥ 5kΩ

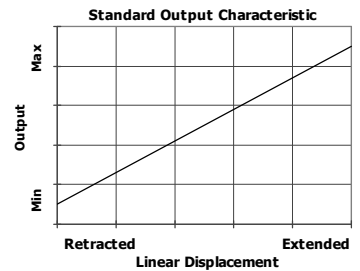
Not all output options available - see product datasheet for full options list



**Mechanical Mounting:** Depending on options;

Body can be mounted by M5x0.8 male thread, M5 rod eye or by clamping the sensor body - body clamps are available, if not already ordered. Target by M5x0.8 male thread or M5 rod eye. It is assumed that the sensor and target mounting points share a common earth.

**Output Characteristic:** Target is extended 2 mm from end of body at start of normal travel. The output increases as the target extends from the sensor body, the calibrated stroke is between 5 mm and 350 mm.



**Warning -** The M12 IEC 60947 connector may be rotated for purposes of convenient orientation of the connector and cable, however rotating the connector more than one complete revolution is not recommended.

**Repeated rotation of the connector will damage the internal wiring!**

**Incorrect Connection Protection levels:-**

- A **Not protected** – the sensor is **not** protected against either reverse polarity or over-voltage. The risk of damage should be minimal where the supply current is limited to less than 50mA.
- C & G Supply leads diode protected. Output must not be taken outside 0 to 12V.