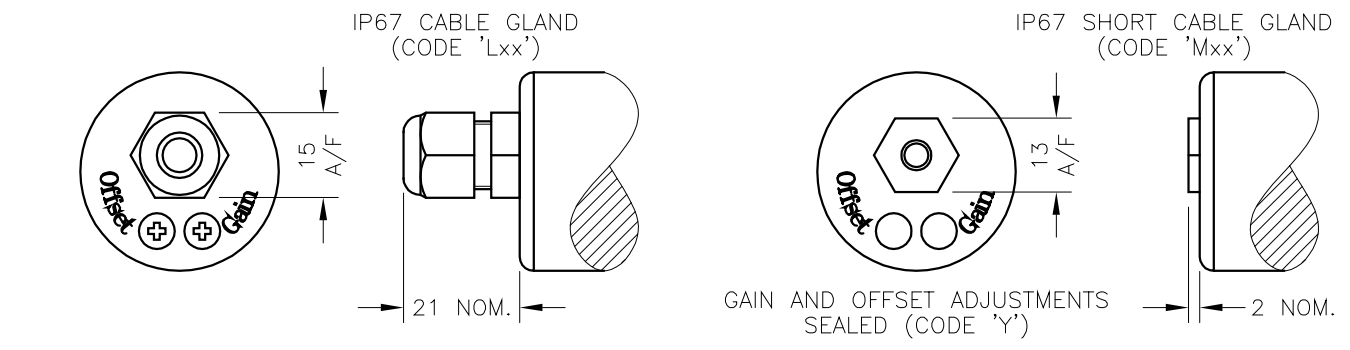
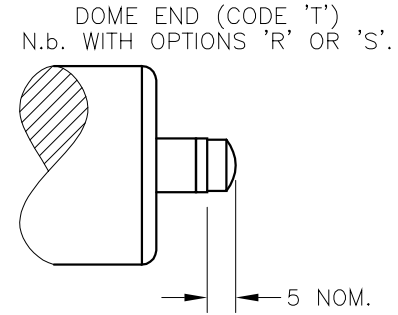
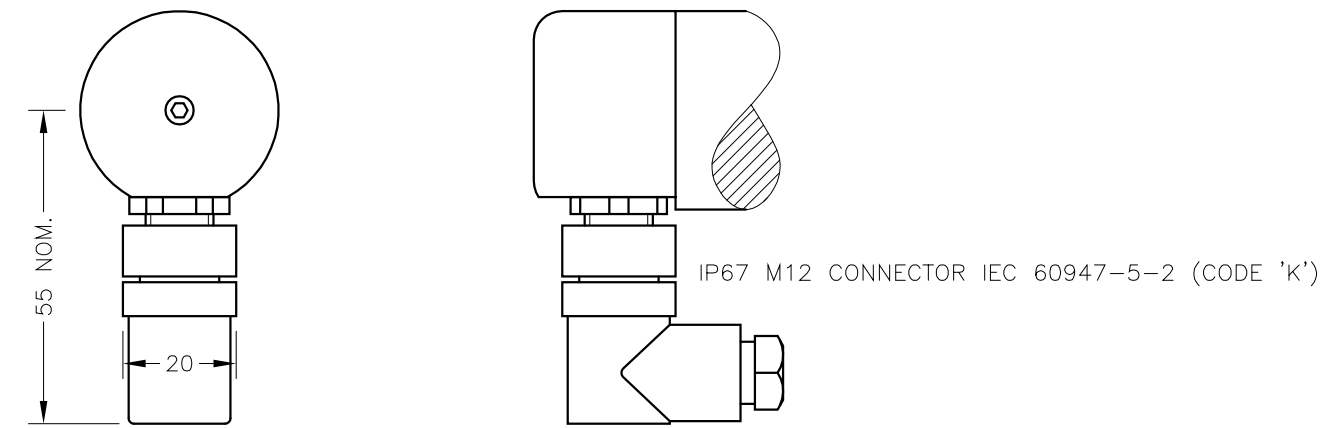
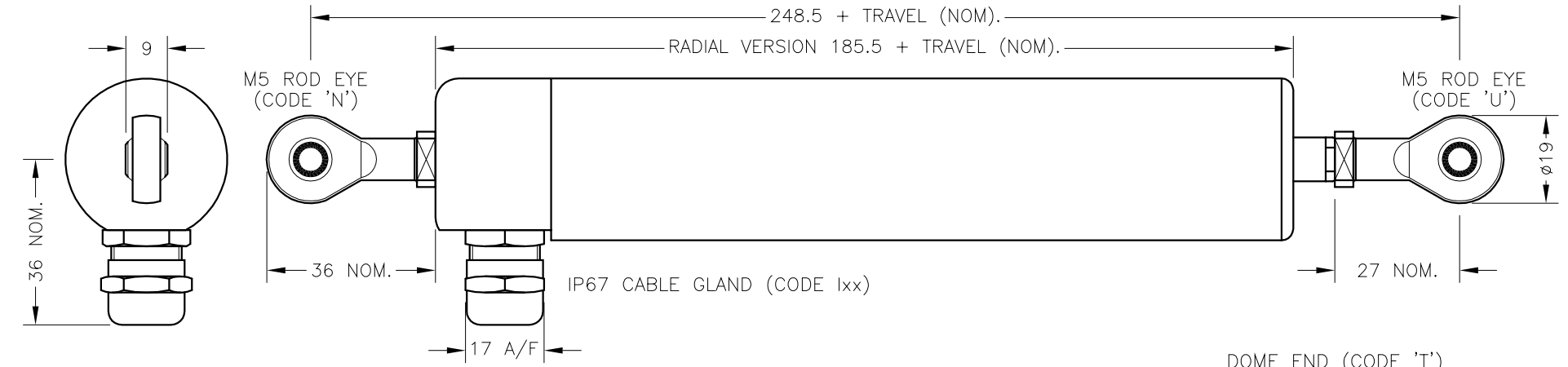
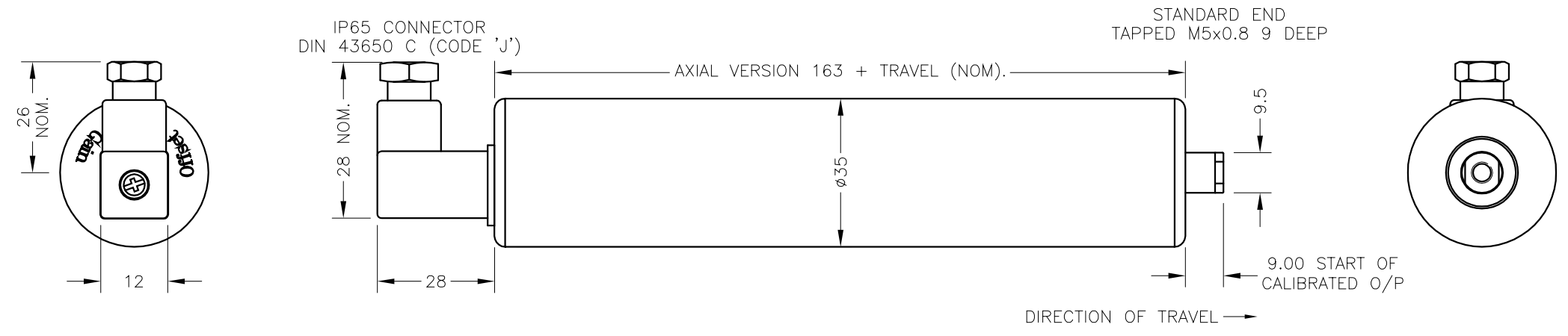


N.b. ROD-EYE ORIENTATION NOT GUARANTEED.



**ELECTRICAL OPTIONS/ SPECIFICATIONS**

OUTPUT OPTION	OUTPUT	SUPPLY	
A	0.5 TO 4.5V RATIOMETRIC	5V	STANDARD
B	±5V	±15V	
C	0.5 TO 9.5V	24V	
D	±10V	±15V	BUFFERED
E	0.5 TO 4.5V	24V	
F	SUPPLY CURRENT 12mA TYP. 20mA MAX.	24V	
G	4 TO 20mA 2-WIRE	24V	
H	4 TO 20mA 3-WIRE SINK	24V	
	4 TO 20mA 3-WIRE SOURCE	24V	

SINK VERSION OUTPUT COMPLIANCE 5-28V  
SOURCE VERSION DRIVE 300Ω MAX TO 0V

CABLE LENGTH, OPTIONS 'lxx', 'Lxx' OR 'Mxx', ORDERED IN cm, 50cm STANDARD OR AS REQUIRED.

3-CORE SCREENED: 0.2mm<sup>2</sup>, ø4mm PUR JACKET  
4-CORE SCREENED: 0.2mm<sup>2</sup>, ø4.6mm PUR JACKET

CABLE/CONNECTOR CONNECTIONS\*;  
3 CORE 4 CORE CONNECTOR

RED	RED	:1	+Ve
BLACK	GREEN	:3	0V
	YELLOW	:4	-Ve - OPTIONS: B OR D
WHITE	BLUE	:2	OUTPUT
SCREEN	SCREEN	:4	BODY - OPTIONS: A, C, E-H

\*CONNECTORS; MAXIMUM CONDUCTOR CROSS SECTION 0.75mm<sup>2</sup>  
RANGE OF DISPLACEMENT FROM 5mm TO 800mm, IN INCREMENTS OF 1mm.

BODY MATERIAL: STAINLESS STEEL.

FURTHER OPTIONS:

SINGLE PAIR OF BODY CLAMPS 'P'

TWO PAIRS OF BODY CLAMPS 'P2'

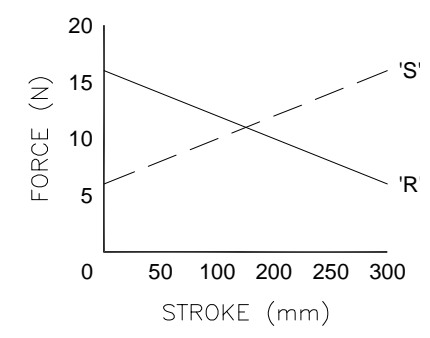
SPRING RETURN PUSH-ROD, TRAVEL ≤300mm

RETURN TO EXTENDED POSITION (CODE R)

RETURN TO RETRACTED POSITION (CODE S)

PUSH-ROD FREE (CODE 'V') - NOT AVAILABLE WITH SPRUNG OPTIONS.

GAIN AND OFFSET ADJUSTMENTS NOT AVAILABLE WITH RADIAL BODY, CODE 'lxx' AND 'K', OPTIONS.



THE PUSH-ROD RETRACTS A FURTHER 4mm NOM. FROM START OF CALIBRATED TRAVEL. STANDARD VERSIONS THE PUSH-ROD EXTENDS A FURTHER 8mm NOM. FROM END OF CALIBRATED TRAVEL, FOR SPRUNG VERSIONS: 'R': 1mm, 'S': 2mm. 'V' CODED PUSH-ROD WILL DEPART SENSOR BODY.

P	ADDITIONAL DIMS/VIEWS ADDED.	PDM
Q	RADIAL ENDCAP MODIF'D - RAN 335	PDM
R	SPRUNG OPTIONS 300 WAS 250 - RAN 473.	PDM
S	OPTIONS 'R' & 'S' OVER TRAVEL DIMS MODIFIED - RAN1030.	PDM
T	RANGE WAS 50-600mm RAN1056	RDS

DRAWINGS NOT TO BE CHANGED WITHOUT REFERENCE TO THE CHANGE PROCEDURE. CHANGES TO PARTS USED IN INTRINSICALLY SAFE PRODUCT MUST BE APPROVED BY THE AUTHORISED PERSON  
THIS IS AN UNCONTROLLED PRINT AND WILL NOT BE UPDATED.



P	05/07/11	CHECKED BY PDM	X	±0.4
Q	07/03/13		X.X	±0.2
R	08/04/14		X.XX	±0.1
			DIMS	mm
S	28/07/15	DESCRIPTION		
T	9/11/15	P101 LIPS STAND ALONE LINEAR POSITION SENSOR		
		SCALE 13mm	DRAWING NUMBER P101-11	REV T
				SHEET 1 OF 1