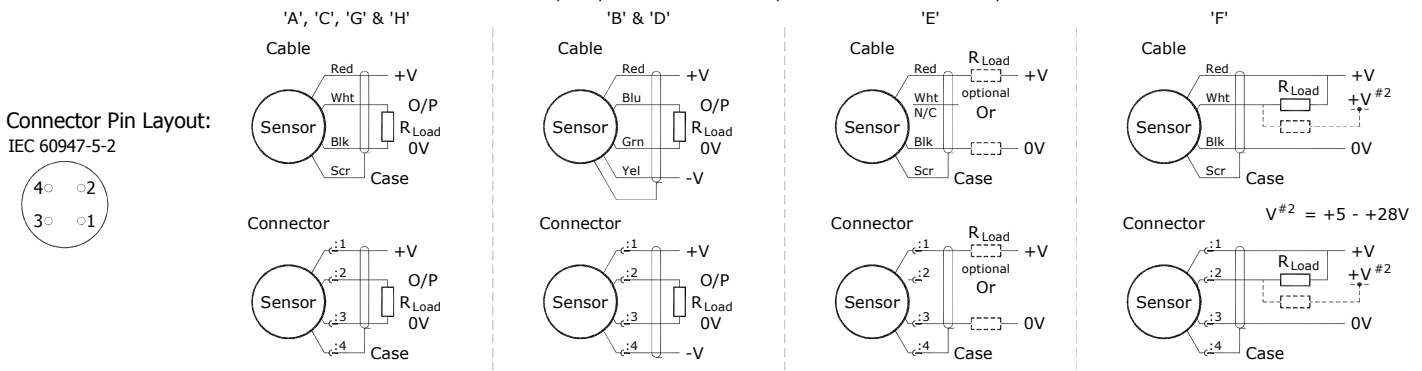


Installation Information

LIPS[®] P118 SHORT STROKE SLIM-LINE LINEAR POSITION SENSOR

Output Option	Output Description:	Supply Voltage: V_s (tolerance)	Load resistance: (include leads for 4 to 20mA O/Ps)
A	0.5 - 4.5V (ratiometric with supply)	+5V (4.5 - 5.5V)	$\geq 5k\Omega$
C	0.5 - 9.5V	+24V nom. (13 - 28V)	$\geq 5k\Omega$
G	0.5 - 4.5V	+24V nom. (9 - 28V)	$\geq 5k\Omega$

Not all output options available - see product datasheet for full options list



Gain and Offset Adjustment: Not available.

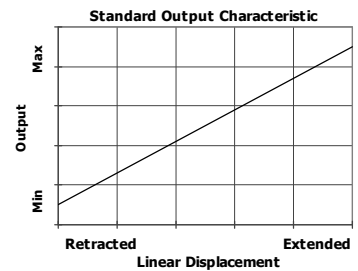
Mechanical Mounting: Flange mounted or by clamping the sensor body - body clamps are available, if not already ordered. The flange slots are 3.2 mm by 30 degrees wide on a 25 mm pitch.

Output Characteristic: Plunger extended, at start of normal travel, from mounting face by:

- Standard body : 18.5 mm
- Flanged body : 16 mm

Note: where ball end option is fitted add 5 mm.

The output increases as the plunger extends from the sensor body, the calibrated stroke is between 2 mm and 50 mm.



Incorrect Connection Protection levels:-

- A** **Not protected** – the sensor is **not** protected against either reverse polarity or over-voltage. The risk of damage should be minimal where the supply current is limited to less than 50mA.
- C & G** Supply leads diode protected. Output must not be taken outside 0 to 12V.