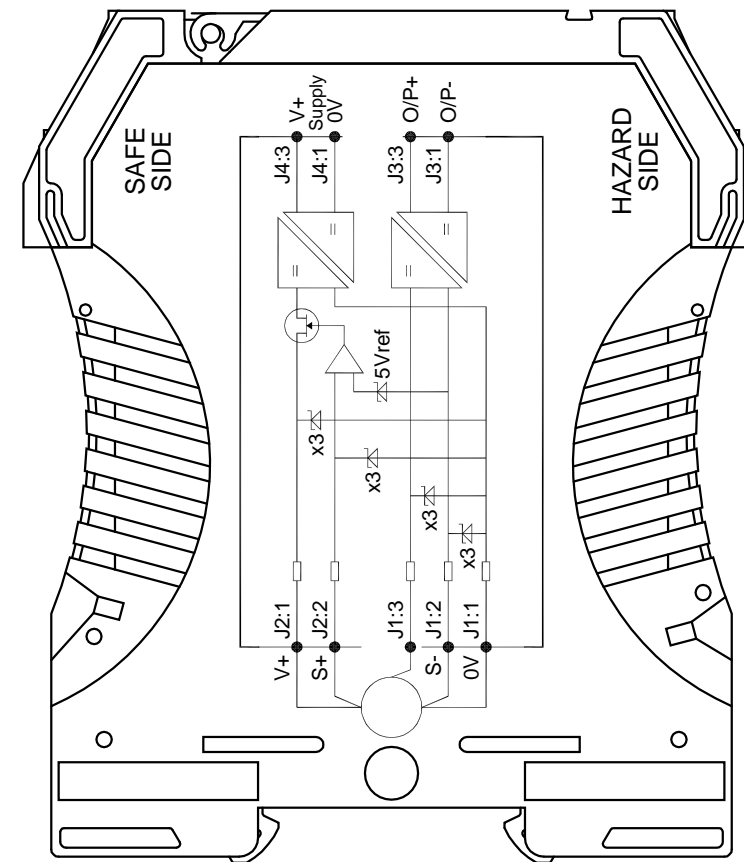
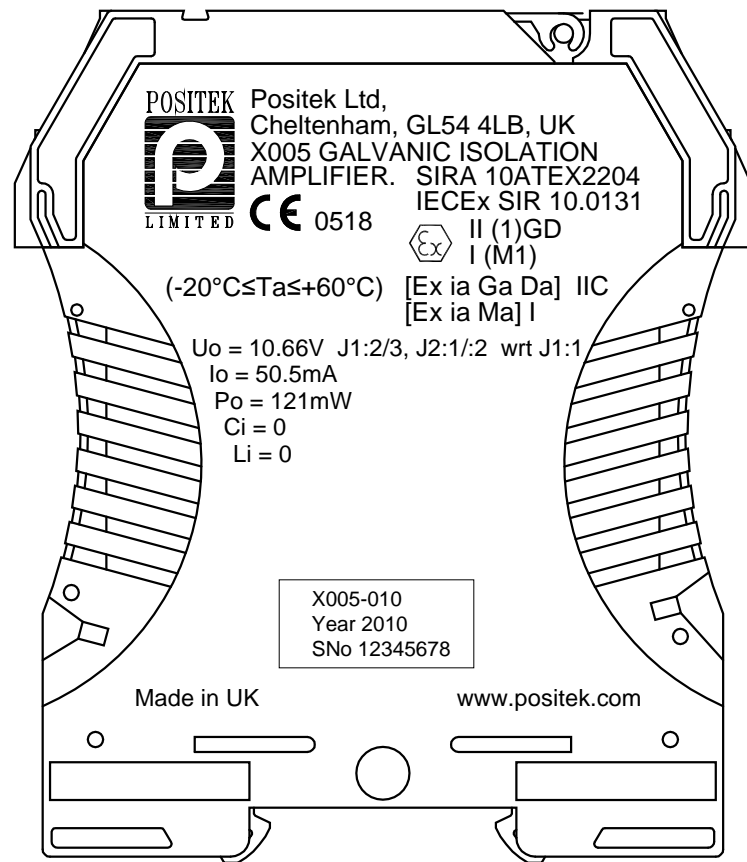
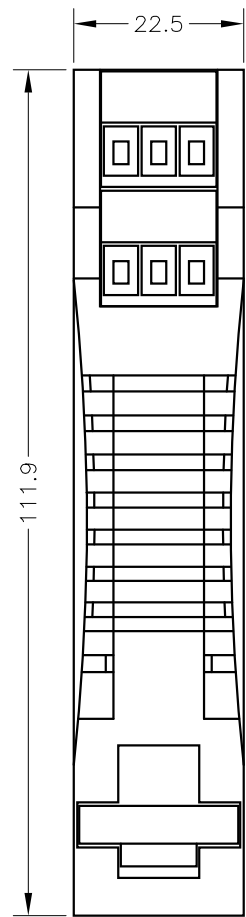
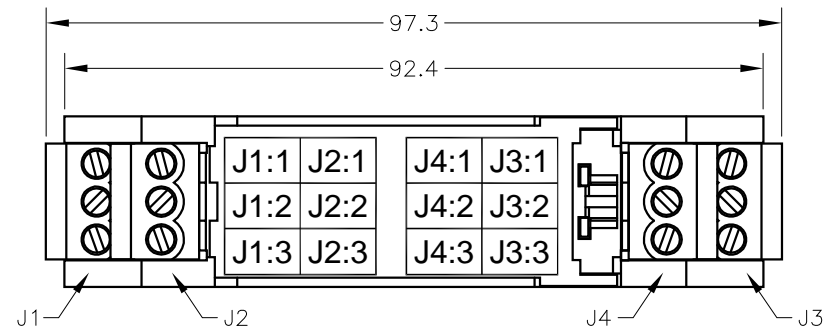
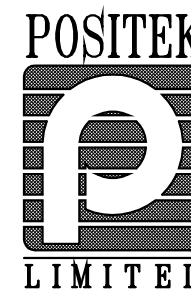


NOTES:—
BEFORE USE READ INSTALLATION SHEET X005-19 FOR FULL INSTRUCTIONS.



A	FIRST ISSUE.	PDM
B	VENT DETAIL CORRECTED - RAN361.	PDM
C	HINGE VIEW AMENDED	PDM

DRAWINGS NOT TO BE CHANGED WITHOUT REFERENCE TO THE CHANGE PROCEDURE.
 CHANGES TO PARTS USED IN INTRINSICALLY SAFE PRODUCT MUST BE APPROVED
 BY THE AUTHORISED PERSON
 THIS IS AN UNCONTROLLED PRINT AND WILL NOT BE UPDATED.



A	30/03/11		CHECKED BY	X	±0.4	
B	21/06/12		RDS	X.X	±0.2	
C	21/05/13			X.XX	±0.1	
					DIMS	mm
DESCRIPTION						
POSITEK GALVANIC ISOLATION AMPLIFIER OUTLINE						
SCALE 10mm						
DRAWING NUMBER X005-11 REV C						
SHEET 1 OF 1						