

N.b. ROD-EYE ORIENTATION NOT GUARANTEED.

ELECTRICAL OPTIONS/ SPECIFICATIONS			
OUTPUT OPTION	OUTPUT	SUPPLY	
A	0.5 TO 4.5V RATIOMETRIC	5V	} STANDARD } BUFFERED
C	0.5 TO 9.5V	24V	
G	0.5 TO 4.5V	24V	
SUPPLY CURRENT 12mA TYP. 20mA MAX.			

CABLE LENGTH, OPTIONS 'lxx' OR 'Lxx', ORDERED IN cm, 50cm STANDARD OR AS REQUIRED.
3-CORE SCREENED: 0.2mm², Ø4mm PUR JACKET

CABLE/CONNECTOR CONNECTIONS*;
3 CORE CONNECTOR

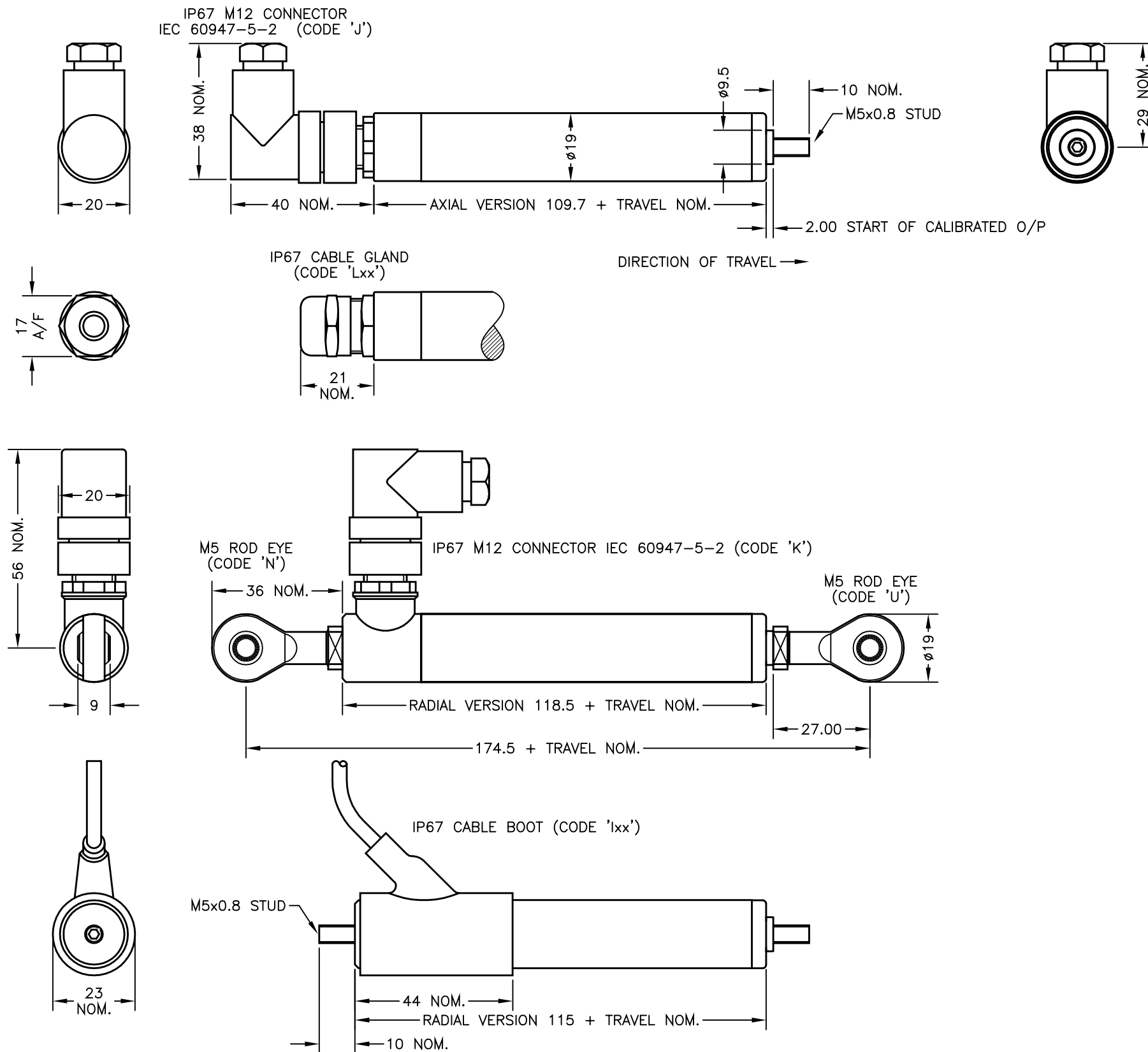
RED	:1	+Ve
BLACK	:3	0V
WHITE	:2	OUTPUT
SCREEN	:4	BODY

*CONNECTORS; MAXIMUM CONDUCTOR CROSS SECTION 0.75mm²
RANGE OF DISPLACEMENT FROM 5mm TO 350mm, IN INCREMENTS OF 1mm.

BODY MATERIAL: STAINLESS STEEL.

FURTHER OPTIONS:

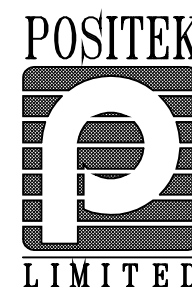
SINGLE PAIR OF BODY CLAMPS 'P'
TWO PAIRS OF BODY CLAMPS 'P2'
PUSH-ROD FREE (CODE 'V')



C	CONNECTOR OPTIONS ADDED, ROD-EYE DIMS CORRECTED - RAN259	RDS
D	ADDITIONAL DIMS/VIEWS ADDED.	PDM
E	OPTION J IP67 CONN.	PDM
F	BODY CLAMP OPTIONS ADDED - RAN505.	PDM
G	RANGE WAS 10-350mm RAN1056	RDS
H	PUSH-ROD DIA. ADDED ~ RAN1083	PDM

DRAWINGS NOT TO BE CHANGED WITHOUT REFERENCE TO THE CHANGE PROCEDURE.
CHANGES TO PARTS USED IN INTRINSICALLY SAFE PRODUCT MUST BE APPROVED BY THE AUTHORISED PERSON
THIS IS AN UNCONTROLLED PRINT AND WILL NOT BE UPDATED.

THE PUSH-ROD RETRACTS AND EXTENDS 2mm NOM. AT EITHER END OF CALIBRATED TRAVEL.
'V' CODED PUSH-ROD WILL DEPART SENSOR BODY.



C	09/12/09	CHECKED BY X PDM	X ±0.4
D	06/07/11		X.X ±0.2
E	04/05/12		X.XX ±0.1
F	25/07/14	DESCRIPTION	
G	9/11/15	P117 LIPS SLIM-LINE	
H	13/04/16	LINEAR POSITION SENSOR	
SCALE 1:3mm		DRAWING NUMBER P117-11	REV H
		SHEET 1 OF 1	