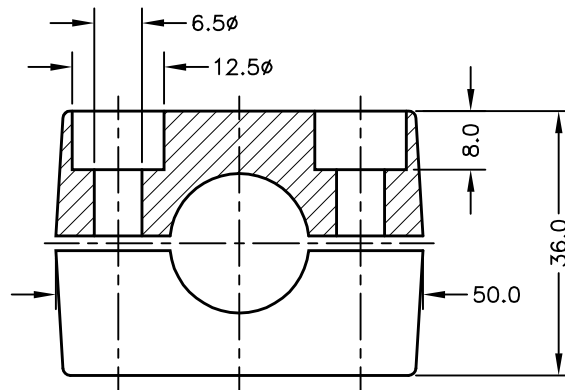
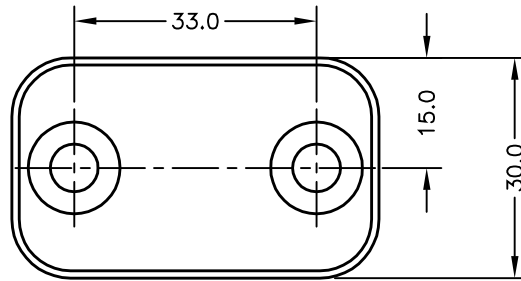


- NOTES:-  
 1. MATERIAL: POLYAMIDE, BLACK.  
 2. FOR M6 FIXINGS.



A	FIRST ISSUE	PDM

DRAWINGS NOT TO BE CHANGED WITHOUT REFERENCE TO THE CHANGE PROCEDURE.  
 CHANGES TO PARTS USED IN INTRINSICALLY SAFE PRODUCT MUST BE APPROVED  
 BY THE AUTHORISED PERSON  
 THIS IS AN UNCONTROLLED PRINT AND WILL NOT BE UPDATED.



A	02/03/09		CHECKED BY	X ±0.4
			RDS	X.X ±0.2 X.XX ±0.1 DIMS mm
		DESCRIPTION		
		PLASTIC BODY CLAMP		
		Ø19mm SENSORS		
		SCALE	DRAWING NUMBER	REV
		10mm	BP352-10	A
			SHEET 1 OF 1	