

**Sorensen**  
**XPF Series**  
**Single Output 60V 20A**  
Powerflex DC Power Supply  
Operation Manual

**Models:**

**XPF 60-20**  
**XPF 60-20A**  
**XPF 60-20P**

---

## About AMETEK

AMETEK Programmable Power, Inc., a Division of AMETEK, Inc., is a global leader in the design and manufacture of precision, programmable power supplies for R&D, test and measurement, process control, power bus simulation and power conditioning applications across diverse industrial segments. From bench top supplies to rack-mounted industrial power subsystems, AMETEK Programmable Power is the proud manufacturer of Elgar, Sorensen, California Instruments and Power Ten brand power supplies.

AMETEK, Inc. is a leading global manufacturer of electronic instruments and electromechanical devices with annualized sales of \$2.5 billion. The Company has over 11,000 colleagues working at more than 80 manufacturing facilities and more than 80 sales and service centers in the United States and around the world.

### Trademarks

AMETEK is a registered trademark of AMETEK, Inc.

Other trademarks, registered trademarks, and product names are the property of their respective owners and are used herein for identification purposes only.

### Notice of Copyright

*XPF 60-20, XPF 60-20A & XPF 60-20P Single Output 60V 20A Powerflex DC Power Supply Operation Manual* © 2012 AMETEK Programmable Power, Inc. All rights reserved.

### Exclusion for Documentation

UNLESS SPECIFICALLY AGREED TO IN WRITING, AMETEK PROGRAMMABLE POWER, INC. ("AMETEK"):

- (a) MAKES NO WARRANTY AS TO THE ACCURACY, SUFFICIENCY OR SUITABILITY OF ANY TECHNICAL OR OTHER INFORMATION PROVIDED IN ITS MANUALS OR OTHER DOCUMENTATION.
- (b) ASSUMES NO RESPONSIBILITY OR LIABILITY FOR LOSSES, DAMAGES, COSTS OR EXPENSES, WHETHER SPECIAL, DIRECT, INDIRECT, CONSEQUENTIAL OR INCIDENTAL, WHICH MIGHT ARISE OUT OF THE USE OF SUCH INFORMATION. THE USE OF ANY SUCH INFORMATION WILL BE ENTIRELY AT THE USER'S RISK, AND
- (c) REMINDS YOU THAT IF THIS MANUAL IS IN ANY LANGUAGE OTHER THAN ENGLISH, ALTHOUGH STEPS HAVE BEEN TAKEN TO MAINTAIN THE ACCURACY OF THE TRANSLATION, THE ACCURACY CANNOT BE GUARANTEED. APPROVED AMETEK CONTENT IS CONTAINED WITH THE ENGLISH LANGUAGE VERSION, WHICH IS POSTED AT [WWW.PROGRAMMABLEPOWER.COM](http://WWW.PROGRAMMABLEPOWER.COM)

### Date and Revision

March 2012

### Part Number

M370499-01

### Contact Information

Telephone: 800 733 5427 (toll free in North America)  
858 450 0085 (direct)

Fax: 858 458 0267

Email: [sales@programmablepower.com](mailto:sales@programmablepower.com)  
[service@programmablepower.com](mailto:service@programmablepower.com)

Web: [www.programmablepower.com](http://www.programmablepower.com)

---

# Table of Contents

Specification	4
Safety	7
Installation	8
Connections	9
Manual Operation	12
Remote Analogue Control (XPF 60-20A only)	17
Remote Interface Operation (XPF 60-20P only)	21
Remote Commands (XPF 60-20P only)	31
Calibration	35
Maintenance	37
<b>Instructions en Francais</b>	
Sécurité	38
Installation	39
Connections	40
Fonctionnement manuel	43
Commande Analogique à Distance (XPF 60-20A uniquement)	48
Fonctionnement de l'interface de commande à distance (XPF 60-20P uniquement)	53
Commandes à Distance (XPF 60-20P uniquement)	64
Maintenance	69
<b>Bedienungsanleitung auf Deutsch</b>	
Sicherheit	70
Installation	71
Anschlüsse	72
Manueller Betrieb	75
Analogfernsteuerung (nur XPF 60-20A)	80
Ferngesteuerter Betrieb (nur XPF 60-20P)	84
Fernsteuerbefehle (nur XPF 60-20P)	95
Wartung	100

---

## **Istruzioni in Italiano**

Sicurezza	101
Installazione	102
Connessioni	103
Funzionamento manuale	106
Controllo analogico remoto (Solo XPF 60-20A)	111
Funzionamento delle interfacce remote (solo XPF 60-20P)	117
Comandi remoti (solo XPF 60-20P)	128
Manutenzione	133

## **Instrucciones en Español**

Seguridad	134
Instalación	135
Conexiones	136
Manejo manual	139
Control analógico remote (solo XPF 60-20A)	144
Manejo de la interfaz remota (solo XPF 60-20P)	150
Comandos remotos (solo XPF 60-20P)	161
Mantenimiento	166

Warranty Information	167
----------------------	-----



# Specification

General specifications apply for the temperature range 5°C to 40°C. Accuracy specifications apply for the temperature range 18°C to 28°C after 1 hour warm-up with no load and calibration at 23°C. Typical specifications are determined by design and are not guaranteed.

## OUTPUT SPECIFICATION

Voltage Range: 0V to 60V

Current Range: 0A to 20A

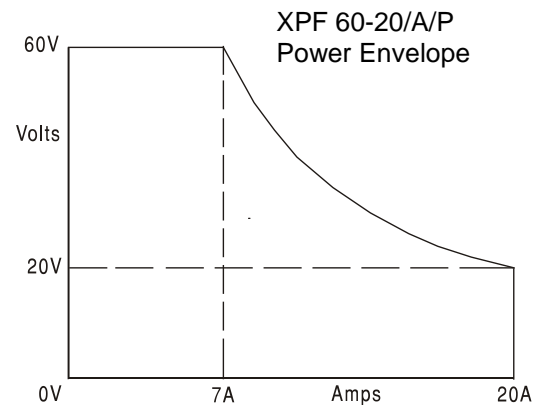
*Note: In manual operation, actual maxima for voltage and current are typically 1% greater than the figures given above.*

Power Range: Up to 420W

Output Voltage Setting: By coarse and fine controls.

Output Current Setting: By single logarithmic control.

Operating Mode: By single logarithmic control.  
Constant voltage (CV) or constant current (CC) with automatic cross-over, provided that the power demanded stays within the power envelope, see graph. Outside of this envelope the output becomes unregulated.



Operating Ranges: Four selectable ranges: 60V/20A, 60V/7A, 20V/20A and Custom Limits.

Any V/I setting of the 60V/7A or 20V/20A ranges always falls within the appropriate part of the Power Envelope.

The 60V/20A range permits any setting up to 60V and 20A but the output will become unregulated if operated outside of the Power Envelope, see above.

The voltage and current limits of the Custom Limits range can be set to any  $V_{max}$  between 0.1V & 60V and  $I_{max}$  between 0.01A and 20A. This facility is most useful in limiting operation to a particular part of the Power Envelope.

Settings Lock: (S-Lock) Voltage and current settings can be locked by a single button press. Lock accuracy is equal to meter accuracy (see Meter Specification)

Output Switch: Electronic. Preset voltage and current displayed when off.

Output Terminals: Front panel: Universal 4mm safety binding posts on 19mm (0.75") pitch. Rear Panel: Barrier strip connections (XPF 60-20A/P only)

Output Sensing: Switchable between local and remote. Remote connection by spring-loaded push terminals on front panel and barrier strip on rear panel (XPF 60-20A/P only).

Output Protection: Forward protection by Over-Voltage Protection (OVP) and Over-Current Protection (OCP) trips. Reverse protection by diode clamp for reverse currents up to 3A.

OVP Range: 1V to 66V set by front panel screwdriver adjustment or via the remote interfaces. Setting resolution: 100mV. Response time: Typically 1ms. Maximum voltage that should be applied across the terminals is 70V.

OCP Range: Measure-and-compare over-current protection is implemented in firmware and can only be set via the remote interface (XPF 60-20P only). Setting resolution: 10mA. Response time: typically 500ms. For manual operation (Local mode) & XPF 60-20/A, OCP is fixed at 22A.

Over-temperature Protection: The output will be tripped off if a fault causes the internal temperature to rise excessively.

Line Regulation:	Change in output for a 10% line change: Constant voltage: <0.01% of maximum output Constant current: <0.01% of maximum output						
Load Regulation:	Change in output for any load change within PowerFlex envelope, remote sense connected: Constant voltage: <0.01% of maximum output Constant current: <0.05% of maximum output						
Ripple & Noise (20MHz bandwidth):	5mVrms max; typically <3mVrms, <15mV pk-pk, at maximum load, CV mode.						
Transient Load Response:	<250us to within 50mV of set level for a 5% to 95% load change.						
Voltage Programming Speed (XPF 60-20P only):	Maximum time required for output to settle within 1% of its total excursion (for resistive load). Excludes command processing time.						
	<i>Range and Setting</i>		<i>90% Load</i>	<i>No Load</i>		<i>90% Load</i>	<i>No Load</i>
	60V 7A	Up	8ms	8ms	Down	80ms	1.5s
	20V 20A	Up	8ms	8ms	Down	10ms	1.2s
Temperature Coefficient:	Typically <100ppm/°C						
Status Indication:	Output ON lamp. Constant voltage mode lamp. Constant current mode lamp. Unregulated (power limit) lamp Remote lamp (XPF 60-20P only) LAN lamp (XPF 60-20P only) Trip message on display.						

## METER SPECIFICATIONS

Meter Types:	Dual 4 digit meters with 10mm (0.39") LEDs. Reading rate 4Hz.
Meter Resolutions:	10mV, 10mA
Meter Accuracies:	Voltage 0.1% of reading ± 2 digits Current 0.3% of reading ± 2 digits

## ANALOGUE REMOTE CONTROL (XPF 60-20A only)

Isolated inputs and non-isolated outputs to set voltage and current limit.

Isolated control input scaling:	Rear panel control inputs (CV and CC) permit external 0V to 5V or 0 to 10V signals (with respect to the common Return) to set 0 to 100% of rated output voltage and current. Inputs are protected against excess input voltages up to 60V. Isolation rating with respect to the output is 300V max.
Control input accuracy:	Voltage: 0.3% ±20mV. Input impedance 10kΩ. Current: 0.5% ±50mA. Input impedance 10kΩ.
Control output scaling:	Set values of 0 to 100% of rated output voltage and current generate 0 to 5V signals at the rear panel V <sub>out</sub> and I <sub>out</sub> outputs. Outputs are short-circuit protected. These signals are referenced to the output control circuit and will therefore be within ~1V of the positive output potential.

---

Control output accuracy: Voltage: 0.3%  $\pm$ 20mV  
Current: 0.5%  $\pm$ 50mA.  
Output impedance: 125 $\Omega$ .

Remote Off: Rear panel connections allow a switch closure to turn output off. Remote Off is referenced to the output control circuit and will therefore be within  $\sim$ 1V of the positive output potential.

## DIGITAL INTERFACES (XPF 60-20P only)

Full digital remote control facilities are available through the RS232, USB, LAN and GPIB interfaces.

Voltage Setting: 16-bit, Resolution 10mV, Accuracy  $\pm$  (0.05% +10mV)  
Current Setting: 16-bit, Resolution 1mA, Accuracy  $\pm$  (0.3% + 0.005A)  
RS232: Standard 9-pin D-connector. Baud rate 9600.  
GPIB: Conforming with IEEE488.1 and IEEE488.2  
USB: Standard USB 2.0 hardware connection. Operates as a virtual COM port.  
LAN: Ethernet 100/10base-T hardware connection. LXI V1.2, Class C compliant.  
Remote Command Processing Time: Typically <25ms between receiving the command terminator for a step voltage change at the instrument and the output voltage beginning to change.

## GENERAL

AC Input: 110V – 240V AC  $\pm$  10%, 50/60Hz.  
Installation Category II.

Power Consumption: 600VA max.

Operating Range: +5°C to +40°C, 20% to 80% RH.

Storage Range: –40°C to + 70°C.

Environmental: Indoor use at altitudes up to 2000m, Pollution Degree 2.

Safety: Complies with EN61010-1.

EMC: Complies with EN61326.

Size: 107mm x 130mm x 400mm (WxHxD) ¼-rack width x 3U height (optional rack mounting kit available).

Weight: 4.25kg

This power supply is a Safety Class I instrument according to IEC classification and has been designed to meet the requirements of EN61010-1 (Safety Requirements for Electrical Equipment for Measurement, Control and Laboratory Use). It is an Installation Category II instrument intended for operation from a normal single phase supply.

This instrument has been tested in accordance with EN61010-1 and has been supplied in a safe condition. This instruction manual contains some information and warnings which have to be followed by the user to ensure safe operation and to retain the instrument in a safe condition.

This instrument has been designed for indoor use in a Pollution Degree 2 environment in the temperature range 5°C to 40°C, 20% - 80% RH (non-condensing). It may occasionally be subjected to temperatures between +5°C and -10°C without degradation of its safety. Do not operate while condensation is present.

Use of this instrument in a manner not specified by these instructions may impair the safety protection provided. Do not operate the instrument outside its rated supply voltages or environmental range.

## **WARNING! THIS INSTRUMENT MUST BE EARTHED**

Any interruption of the mains earth conductor inside or outside the instrument will make the instrument dangerous. Intentional interruption is prohibited. The protective action must not be negated by the use of an extension cord without a protective conductor.

When the instrument is connected to its supply, terminals may be live and opening the covers or removal of parts (except those to which access can be gained by hand) is likely to expose live parts. The apparatus shall be disconnected from all voltage sources before it is opened for any adjustment, replacement, maintenance or repair. Capacitors inside the power supply may still be charged even if the power supply has been disconnected from all voltage sources but will be safely discharged about 10 minutes after switching off power.

Any adjustment, maintenance and repair of the opened instrument under voltage shall be avoided as far as possible and, if inevitable, shall be carried out only by a skilled person who is aware of the hazard involved.

If the instrument is clearly defective, has been subject to mechanical damage, excessive moisture or chemical corrosion the safety protection may be impaired and the apparatus should be withdrawn from use and returned for checking and repair.

Make sure that only fuses with the required rated current and of the specified type are used for replacement. The use of makeshift fuses and the short-circuiting of fuse holders is prohibited.

Do not wet the instrument when cleaning it.

The following symbols are used on the instrument and in this manual:-



**Caution** - refer to the accompanying documentation, incorrect operation may damage the instrument.



Earth (ground) terminal.



mains supply OFF.



mains supply ON.



alternating current (ac)



direct current (dc)

## Mains Operating Voltage

This instrument has a universal input range and will operate from a nominal 115V or 230V mains supply without adjustment. Check that the local supply meets the AC Input requirement given in the Specification.

## Mains Lead

Connect the instrument to the AC supply using the mains lead provided. Should a mains plug be required for a different mains outlet socket, a suitably rated and approved mains lead set should be used which is fitted with the required wall plug and an IEC60320 C13 connector for the instrument end. To determine the minimum current rating of the lead-set for the intended AC supply, refer to the power rating information on the equipment or in the Specification.

**WARNING! THIS INSTRUMENT MUST BE EARTHED.**

Any interruption of the mains earth conductor inside or outside the instrument will make the instrument dangerous. Intentional interruption is prohibited.

## Ventilation

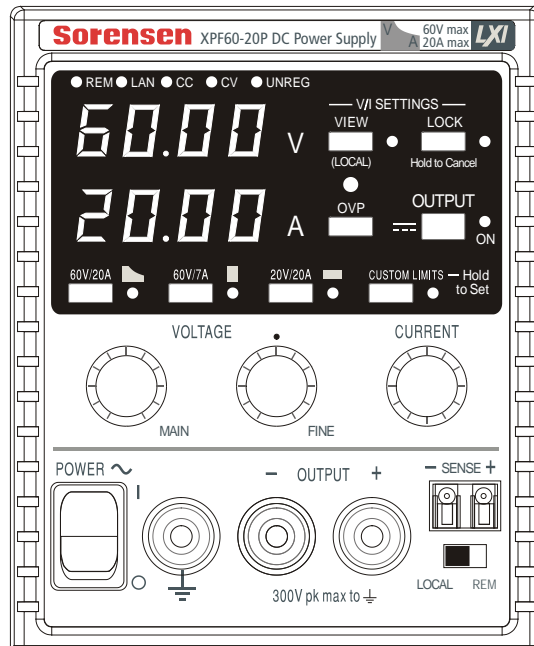
The power supply is cooled by an intelligent multi-speed fan which vents at the rear. Take care not to restrict the air inlets at top, bottom and side panels or the exit at the rear. In rack-mounted situations allow adequate space around the instrument and/or use a fan tray for forced cooling.

## Mounting

This instrument is suitable both for bench use and rack mounting. It is delivered with feet for bench mounting. The front feet include a tilt mechanism for optimal panel angle.

A rack kit for mounting one to four of these quarter-width 3U high units in a 19" rack is available from the Manufacturers or their overseas agents.

## Front Panel Connections

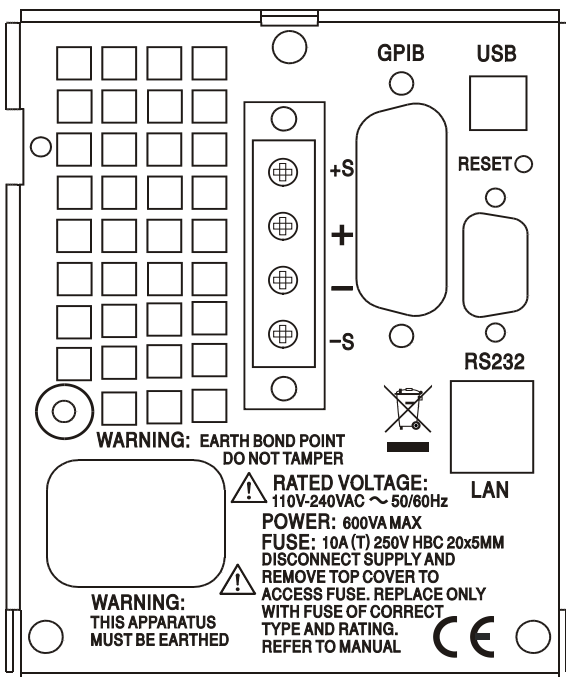


The load should be connected to the positive (red) and negative (black) terminals marked OUTPUT. The OUTPUT terminals are rated at 30A.

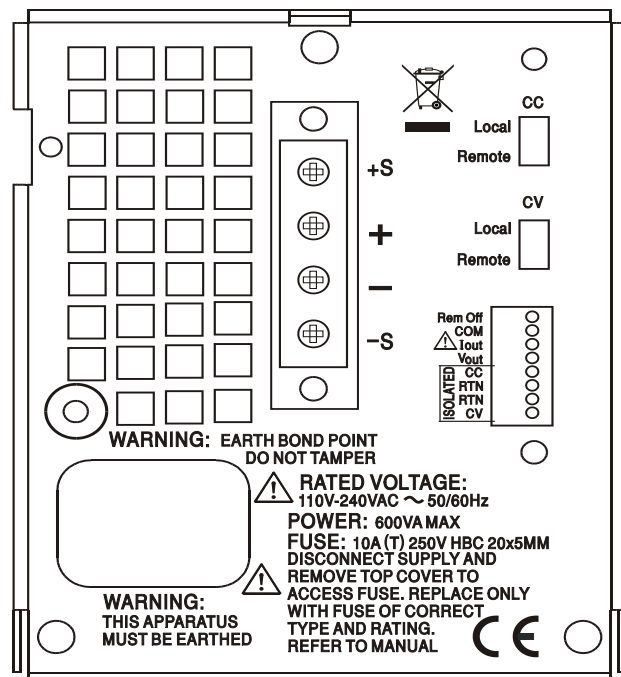
Remote sense connections to the load, if required, are made from the positive (+) and negative (-) SENSE terminals. Switch the LOCAL/REMOTE switch to REMOTE when remote sensing is required. Switch back to LOCAL when remote sensing is not in use.

The terminal marked  $\perp$  is connected to the chassis and safety earth ground.

## Rear Panel Connections (XPF 60-20P & XPF 60-20A only)



**XPF 60-20P**



**XPF 60-20A**

---

## Output Terminals

The output and sense terminals are duplicated on the rear panel terminal blocks and are marked +O/P, -O/P, +S and -S. These connections are paralleled with their front panel equivalents.

Switch the LOCAL/REMOTE switch to REMOTE when remote sensing is required. When the rear panel Output terminals are used, the use of remote sense is always recommended to ensure that output regulation is maintained within specification; connections can be made to either the front or the rear remote sense terminals but never to both pairs of terminals at the same time. Switch back to LOCAL when remote sensing is not in use.

## Analogue Remote Control (XPF 60-20A only)

Connections CV and CC provide analogue control of the Output Voltage and Current Limit respectively when slide switches CV and CC are set to Remote. These inputs, and their common return signal (RTN), are isolated from the output; the isolation rating with respect to the output is 300V max. The input scaling can be set independently, by internal links, as 0 to 5 Volts (the factory default) or 0 to 10 Volts for 0 to 100% of maximum output. Maximum permissible input is 60V. CV and CC can be used independently or together.

Return slide switches CV and CC to Local when analogue remote control is not in use.

## Analogue Out (XPF 60-20A only)

Connections  $V_{OUT}$  and  $I_{OUT}$  provide analogue outputs scaled to the set output voltage and set current limit respectively. The scaling is fixed at 0 to 5 Volts for 0 to 100% of maximum output.  $V_{OUT}$  and  $I_{OUT}$  are always present on the terminals, whether the instrument is under local or remote control.



**Warning! COM is referenced to the output control circuit and will be within ~1V of the positive output potential.  $V_{OUT}$  and  $I_{OUT}$  are always present on the terminals.**



Do not apply external voltages to these terminals.

## Remote On/Off (XPF 60-20A only)

A switch closure or logic low between connections Rem Off and COMmon will turn off the output.



**Warning! COM is referenced to the output control circuit and will be within ~1V of the positive output potential.**



Do not apply external voltages to these terminals.

## RS232 (XPF 60-20P only)

9-pin female D-connector with pin connections as shown below. Can be connected to a standard PC port using a fully wired 1:1 male-female cable without any cross-over connections.

Pin	Name	Description
1	RI	Passively asserted (+V through 10k $\Omega$ )
2	TXD	Transmitted data from instrument
3	RXD	Received data to instrument
4	CTS	
5	GND	Signal ground
6	RTS	Passively asserted (+V through 10k $\Omega$ )
7	DSR	No internal connection
8	DTR	
9	CD	No internal connection

Signal ground is connected to instrument ground.

---

## **USB (XPF 60-20P only)**

The USB port is connected to instrument ground. It conforms with USB 2.0 (Full Speed) and accepts a standard USB cable. The Windows plug-and-play functions should automatically recognise that the instrument has been connected. If the correct driver is not found, follow the Windows on-screen prompts and install the required files from the CD supplied.

## **LAN (XPF 60-20P only)**

The LAN interface is designed to meet LXI ( Lan eXtensions for Instrumentation) version 1.2; the instrument is Class C compliant. Remote control using the LAN interface is possible using a TCP/IP Socket protocol. The instrument also contains a basic Web server which provides information on the unit and allows it to be configured. Since it is possible to misconfigure the LAN interface, making it impossible to communicate with the instrument over LAN, a LAN Configuration Initialise (LCI) mechanism is provided via a recessed switch on the rear panel (marked LAN RESET) to reset the unit to the factory default.

Further details are given in the Remote Operation chapter. For more information on LXI standards refer to [www.lxistandard.org/home](http://www.lxistandard.org/home)

## **GPIB (XPF 60-20P only)**

The GPIB signal grounds are connected to the instrument ground. The implemented subsets are:

SH1 AH1 T6 TE0 L4 LE0 SR1 RL2 PP1 DC1 DT0 C0 E2

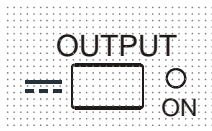
The GPIB address is set from the front panel.




## Switching On

The POWER switch is located at the bottom left of the front panel.

When the POWER switch is turned on the lower meter briefly indicates the instrument firmware revision; on the XPF 60-20P this is followed by the interface firmware revision ( **IF** shows in the upper meter) before the display shows Volts and Amps; the LAN lamp above the right hand output meters will also light but will go off after ~30s if an operational LAN connection is not found, see LAN Error paragraph in LAN Interface section.



At power on, the factory default setting is for the output to be off. The preset output volts and current will be determined by the present control settings and shown in the display. The VIEW lamp is lit to indicate that it is the preset values that are being displayed. All other settings will be the same as they were at last power off.

The dc output state at power-on can be set to be 'always off' or 'same as at last power-off'. The setting can be changed as follows. With the VIEW key held down, press and hold down the  OUTPUT key; the display will first show the present setting for 1 second (**OP OFF** if the factory default is still selected) before flashing the new setting for 2 seconds ( **LAST SET** in this instance). After 2 seconds the new setting is shown continuously in the display and the change is implemented; release the OUTPUT and VIEW keys. Repeating the procedure will change the setting back to the previous state.

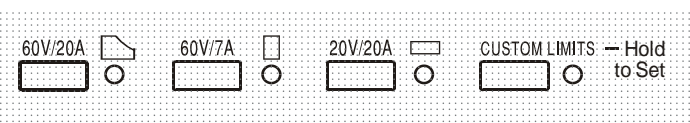
## Setting Up the Output

With the POWER switch on ( **I** ) and the OUTPUT switch off the output voltage and current limit can be accurately preset using the VOLTAGE and CURRENT controls; the upper meter shows the set voltage and the lower meter shows the set maximum current.

When the OUTPUT switch is switched on, the OUTPUT ON lamp and the CV (constant voltage) lamp light; the upper meter continues to show the set voltage but the lower meter now shows the actual load current.

## Range Selection & Custom Limits

There are 4 possible ranges, selected by the keys immediately below the display; the associated lamp lights to show which range is selected. Because changing ranges can change the output voltage, range changing is only allowed if the output is off. If attempts are made to change range with the output on, the display will briefly show the message **turn OFF** and the output lamp will flash to prompt the user to turn the output off. The factory default range selection is the 60V/20A



PowerFlex range which limits the maximum current at the set voltage to that determined by the power envelope or 20A, whichever is the lower, see Power Limit paragraph later in this section.

The 60V/7A and 20V/20A ranges operate conventionally such that Constant Voltage (CV) operation is possible over the full voltage range, provided that the load current is below the range maximum; operation is always within the power envelope of the instrument. The VOLTAGE and CURRENT controls are always scaled to set the range maximum when fully clockwise.

The CUSTOM LIMITS capability allows the maximum values of both the VOLTAGE and CURRENT controls to be redefined by the user such that the controls operate over specific, lower, ranges. This not only has the advantage of protecting against the accidental application of, for example, excess voltages to the load, but also provides higher resolution analogue control over the specified ranges using the full 300° rotation of the controls.

To set new CUSTOM LIMITS turn the output off and select the 60V/20A range; preset limits are shown in the display. Use the MAIN and FINE VOLTAGE controls and the CURRENT control to set,

---

precisely, the new custom limits required. Press and hold the CUSTOM LIMITS key; the displays flash the new limits for ~2s, after which the lower (A) display shows **SEt** to indicate that the new limits have been stored. Release the key; the displays now show the preset V and I limits corresponding to the knob settings within the newly defined ranges.

If the new limits fall outside the power envelope (see Power Limit paragraph below), such that operation could change from CV or CC (Constant Current) to UNREGulated (power limit) under certain load conditions, the CUSTOM LIMITS lamp will flash during the setting process to indicate this and will continue to do so until the range key is released. If the lamp is constantly on during setting this indicates that  $V_{MAX} \times I_{MAX} < 420W$  and that operation should therefore generally stay in CV or CC mode. CUSTOM LIMITS remains selected until another range key is pressed.

Reselecting CUSTOM LIMITS with a short key press recalls the same custom limits as last set.

When CUSTOM LIMITS is selected, the limit of the MAIN VOLTAGE control is exactly as set by the above procedure when the FINE control is set at its mid-point, marked on the panel with a •. The FINE control itself can be usefully used to give an additional fine adjustment of  $\pm 1\%$  (of the range maximum).

### Constant Voltage

The output voltage is adjusted using the MAIN and FINE VOLTAGE controls; the CURRENT control sets the maximum current that can be supplied.

The CV lamp lights to show constant voltage mode.

### Constant Current

If the load resistance is low enough such that, at the output voltage set, a current greater than the current limit setting would flow, the power supply will automatically move into constant current operation. The current output is adjusted by the CURRENT control and the VOLTAGE controls set the maximum voltage that can be generated.

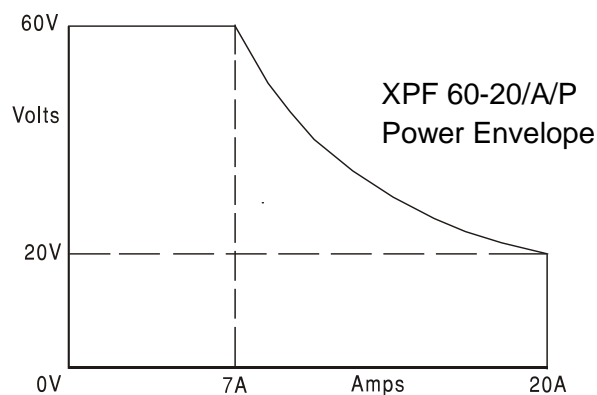
The CC lamp lights to show constant current mode.

### Instantaneous Current Output

The current limit control can be set to limit the continuous output current to levels down to 10mA. However, in common with all precision bench power supplies, a capacitor is connected across the output to maintain stability and good transient response. This capacitor charges to the output voltage and short-circuiting of the output will produce a current pulse as the capacitor discharges which is independent of the current limit setting.

### Power Limit

The maximum current at different voltage settings is limited by the power envelope illustrated below:



---

The power envelope is set to give 60V/7A, 42V/10A and 20V / 20A under all supply conditions (both outputs loaded); at lower output voltages the output power is restricted by the 20A current maximum.

When the power limit is exceeded, the status indication will change from CV or CC to UNREG. For example, if the supply is set to 20V, with the current limit at maximum, and is connected to a 2Ω load, 10 Amps will flow and the supply will be in CV mode. As the voltage across the load is increased, the power into the load increases until, at about 29V, the power limit is exceeded and the supply changes from CV to UNREG.

### Connection to the Load

The load should be connected to the positive (red) and negative (black) front panel OUTPUT terminals. Both are fully floating and either can be connected to ground. Alternatively, on the XPF 60-20A/P, connection can be made to the duplicate rear panel Output terminals, appropriate for when the instrument is used in a rack.

When the rear panel Output terminals are used, the use of remote sense is always recommended to ensure that output regulation is maintained within specification, see Remote Sensing section below. If the rear panel Output terminals are used without remote sense make sure that the front panel switch is set to LOCAL. Regulation will be degraded a little when local sense is used because of the additional small voltage drop in the internal wiring to the rear terminals.

### Remote Sensing

The instrument has a very low output impedance, but this is inevitably increased by the resistance of the connecting leads. At high currents this can result in significant differences between the indicated source voltage and the actual load voltage (two 5mΩ connecting leads will drop 0.2V at 20 Amps, for instance). This problem can be minimised by using short, thick, connecting leads, but where necessary it can be completely overcome by using the remote sense facility.

This requires the sense terminals to be connected to the output at the load instead of at the source; insert wires into the spring-loaded SENSE terminals and connect directly to the load. Switch the LOCAL/REMOTE switch to REMOTE. To avoid instability and transient response problems, care must be taken to ensure good coupling between each output and sense lead. This can be done either by twisting the leads together or by using coaxially screened cable (sense through the inner). An electrolytic capacitor directly across the load connection point may also be beneficial.

The voltage drop in each output lead must not exceed 0.5 Volts.

Switch the LOCAL/REMOTE switch back to LOCAL when remote sensing is not in use.

When the rear panel Output terminals are used on the XPF 60-20A/P, the use of remote sense is always recommended to ensure that output regulation is maintained within specification; connections can be made to either the front or the rear remote sense terminals but never to both pairs of terminals at the same time. Connect the Sense terminals to the load, following the guidelines above, and set the LOCAL/REMOTE switch to REMOTE.

### Series or Parallel connection with other units

The output of the power supply is fully floating and may be used in series with other power supply units to generate high DC voltages up to 300V DC.



The maximum permissible voltage between any terminal and earth ground ( $\perp$ ) is 300VDC.

**WARNING!** Such voltages are exceedingly hazardous and great care should be taken to shield the output terminals for such use. On no account should the output terminals be touched when the unit is switched on under such use. All connections to the terminals must be made with the power switched off on all units.

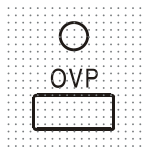
---

It should be noted that the unit can only source current and cannot sink it, thus units cannot be series connected in anti-phase.

The unit can be connected in parallel with others to produce higher currents. Where several units are connected in parallel, the output voltage will be equal to that of the unit with the highest output voltage setting until the current drawn exceeds its current limit setting, upon which the output will fall to that of the next highest setting, and so on. In constant current mode, units can be connected in parallel to provide a current equal to the sum of the current limit settings. For optimum operation connect the power supplies separately to the load.

Note that the output terminals are rated at 30A maximum; if two or more outputs are operated in parallel to source higher currents than this the junction should be made at a separate point, not one of the terminals.

## Protection



Overvoltage protection (OVP) is fully variable within the range 1V to 66V. The OVP limit is set via the screwdriver adjustable OVP preset potentiometer, accessible through a hole in the front panel immediately above the OVP key. Rotating the preset clockwise increases the limit, which can be read directly on the user display by pressing the OVP key beneath the preset. If the voltage on the output exceeds the set OVP for any reason, including an externally forced voltage, the output will be tripped off.

Over-current protection (OCP) is implemented in firmware and can only be set and used when under remote control via the RS232, USB, LAN (LXI) or GPIB interfaces (XPF 60-20P only). Setting resolution is 10mA and typical response times are 500ms. In local mode, and for XPF 60-20/A, OCP is still active but automatically defaults to 22 Amps.

When the output is tripped the displays will show **OVP trip** . and the OUTPUT lamp will flash. Turn the output off; the trip message should be replaced with the normal preset V and I readings. When the cause of the trip has been removed the output can be switched on again.

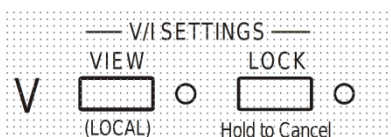
Even with the output off the load is still connected to the power supply output stage. Do not apply external voltages in excess of 70V to the power supply terminals or damage may result.

The output is protected from reverse voltages by a diode; the continuous reverse current must not exceed 3 Amps, although transients can be much higher.

## Over-temperature Protection

A sensor on the secondary heatsink will detect over-temperature due to blocked air-flow, fan failure or other circuit fault. Over-temperature will turn the output off, the OUTPUT indicator will flash, and the display will show the message **OtP trip**. The output will remain shut down even after the heatsink has cooled down. When the cause of the over-temperature has been removed and the heatsink has cooled to normal working temperatures the output can be reset by turning the POWER switch to off (O), then on (I) again.

## View Settings



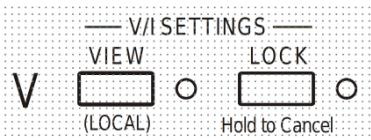
The set voltage and current limit are always shown when the output is off but can also be viewed when the output is on by pressing the VIEW key; the VIEW lamp is lit whilst the VIEW key is pressed.

## Lock Settings

Pressing the LOCK key digitally locks the set voltage and current limit. The settings are stored with a precision of better than 1 digit. Subsequent adjustments of the VOLTAGE and CURRENT controls will have no effect.

Because cancelling LOCK will cause the output settings to change if the VOLTAGE and CURRENT control positions have been moved, warning reminders are given before LOCK is cancelled. Press and hold the key to cancel LOCK.

If the OUTPUT is off (the safe condition) the display will flash the 'unlocked' settings twice before the change is implemented; the LOCK lamp goes off.



If the output is still on, **OP on** (output on) will flash twice in the display, followed by flashing of the new 'unlocked' settings for 2-3 seconds (slowly at first, then faster) before the change is finally implemented; the LOCK lamp goes off when the change is made.

Releasing the LOCK key at any time while the display is flashing will abort the LOCK cancellation.

Attempting to select a different range with LOCK enabled is not allowed; if attempted, the message **Unloc** is shown briefly in the display and the LOCK lamp is also flashed. If the output is also on when these actions are attempted the message **turn OFF** is first shown in the display (accompanied by the output lamp flashing) followed by the message **Unloc** (with the LOCK lamp flashing).

The LOCK status at power on is the same as at last power off.

# Remote Analogue Control (XPF 60-20A only)

Remote analogue control of output voltage and current is possible using variable external control voltages applied between the rear panel CV or CC and Return (RTN) inputs respectively. These inputs are isolated from the output; the isolation rating with respect to the output is 300V max. Inputs are protected against excess input voltages of up to 60V.

The Analogue Out control voltages  $V_{out}$  and  $I_{out}$  of one unit acting as a 'master' can be used to control a 'slave' unit via the slave's CV and CC inputs respectively.

## Analogue Voltage Control

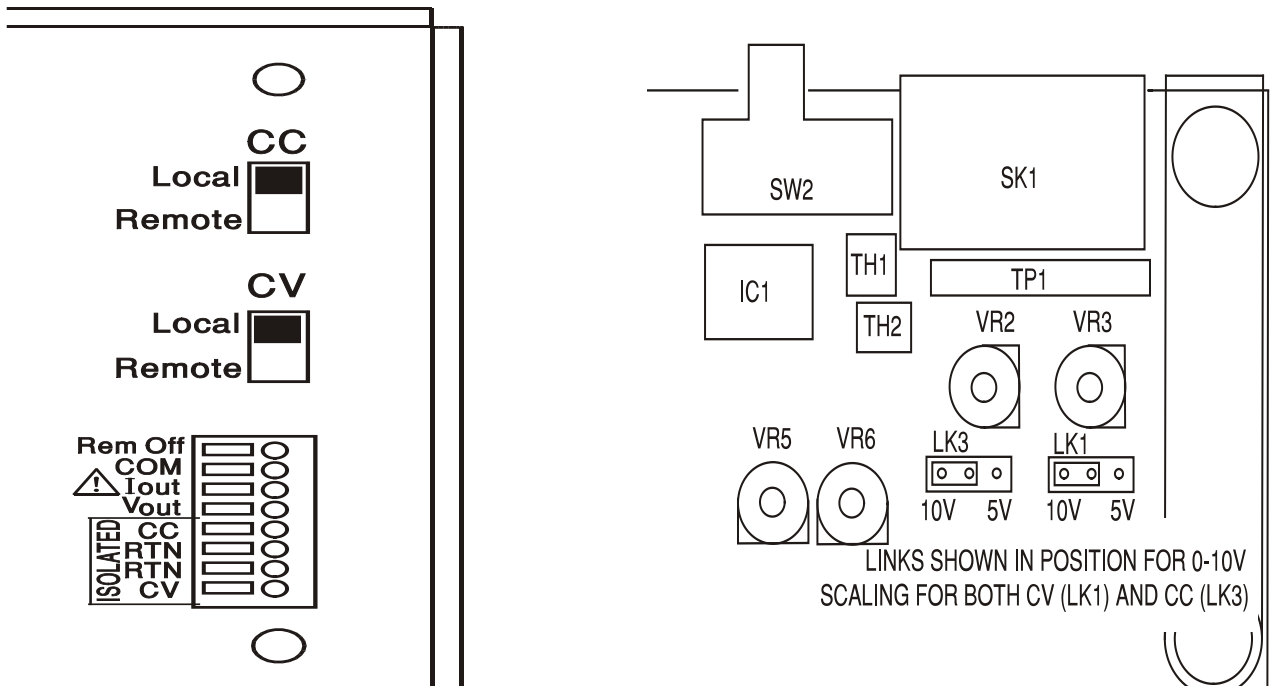
Remote analogue voltage control is achieved by setting the rear panel CV switch to Remote and applying a programming voltage between the inputs CV and RTN.

The front panel VOLTAGE controls and voltage range selection are disabled when Remote is set on the CV switch. Set the switch to Local to return control to the front panel.

The default input voltage scaling is 0V to 5V for 0 to 100% of the maximum output voltage. The input voltage scaling can be changed to be 0V to 10V by changing an internal shorting link. Disconnect the instrument from the AC source and remove the cover as follows. Remove the two plastic push-rivets at each side edge of the top cover. Use the blade of a small screwdriver to first ease out the rivet head and then fully remove the rivet body. Remove the three rear panel screws securing the top cover; slide the cover back and lift off.

Referring to the top view of the instrument shown in the drawing, move the tall shorting link in position LK1 to link centre and '10V' pins instead of centre and '5V' pins.

Remote CV can be used with either Local or Remote CC.



## Analogue Current Control

Remote analogue constant current control is achieved by setting the rear panel CC switch to Remote and applying a programming voltage between the inputs CC and RTN.

The front panel CURRENT control and current range selection are disabled when Remote is set on the CC switch. Set the switch to Local to return control to the front panel.

The default input voltage scaling is 0V to 5V for 0 to 100% of the maximum output current. The input voltage scaling can be changed to be 0V to 10V by changing an internal shorting link. Disconnect the instrument from the AC source and remove the cover as follows.

Remove the plastic push-rivets at each side edge of the top cover. Unse the blade of a small screwdriver to first ease out the rivet head and then fully remove the rivet body. Remove the three rear panel screws securing the top cover; slide the cover back and lift off.

Referring to the top view of the instrument shown in the drawing, move the tall shorting link in position LK3 to link centre and '10V' pins instead of centre and '5V' pins.

Remote CC can be used with either Local or Remote CV.

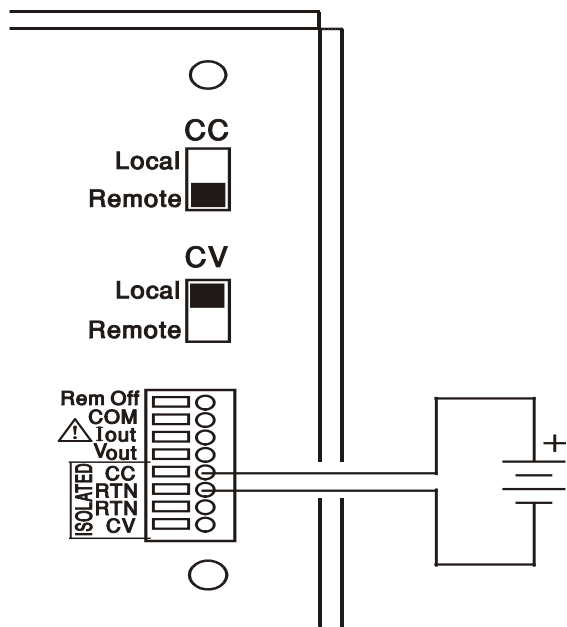
**CAUTION.** Do not apply external control voltages to either the CV or CC input that exceed the maximum for the set input range (5V or 10V). The inputs are protected against excess voltages but the instrument will attempt to supply an output voltage or current in excess of its maximum rating if the control voltage exceeds its range limit, with possible consequential damage.

### Practical Considerations when using CV and CC

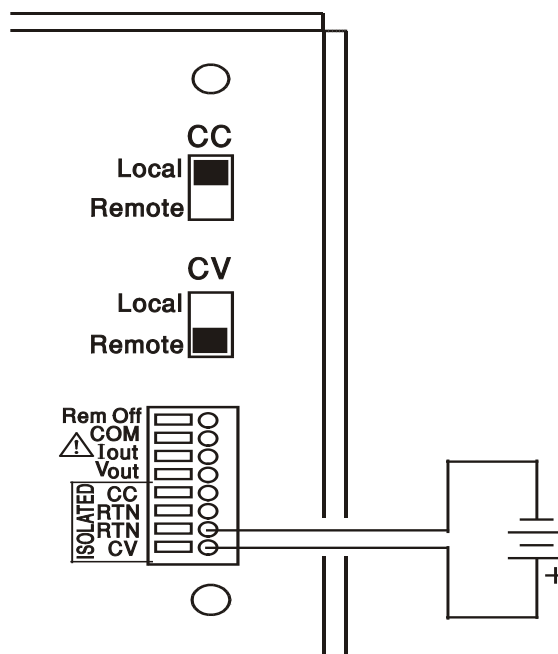
The stability of the control voltages directly affects the stability of the output. Any noise on the control signals will generate noise on the output. To minimise noise on the output connect the control voltages to the CV, CC and RTN inputs using twisted or screened pairs (screens grounded at one end only) and keep the connections as short as possible. Note that output noise is inherently slightly higher when analogue remote control is used because of intrinsic noise in the isolating input circuitry, see the Specification.

The diagrams below show the connections for Constant Voltage (CV) and Constant Current (CC) control using an external voltage.

#### Constant Voltage Control



#### Constant Current Control



Note that when the OUTPUT is on, the instrument's display always shows the actual output voltage and current, whichever control source is active. However, when the OUTPUT is off, the display will show the preset voltage and current set by the front panel controls (or the digital interface if active) and not the values determined by the CV and CC inputs even if they have been made active (CV and CC set to Remote). To avoid confusion it is good practice to set the front panel controls to minimum when remote CV and CC are used.



## Analogue Out Control Voltages

Analogue Out control voltages  $V_{out}$  and  $I_{out}$  are generated from the actual internal control voltages, for which the active source can be the front panel controls, or the remote analogue inputs CV and CC.  $V_{out}$  and  $I_{out}$  are scaled such that 0 to 100% of the maximum output voltage and current generate 0V to 5V at the rear panel  $V_{out}$  and  $I_{out}$  terminals with respect to COM.  $I_{out}$  always corresponds to the set current, whether the output is on or off, but  $V_{out}$  goes to 0V when the output is off.

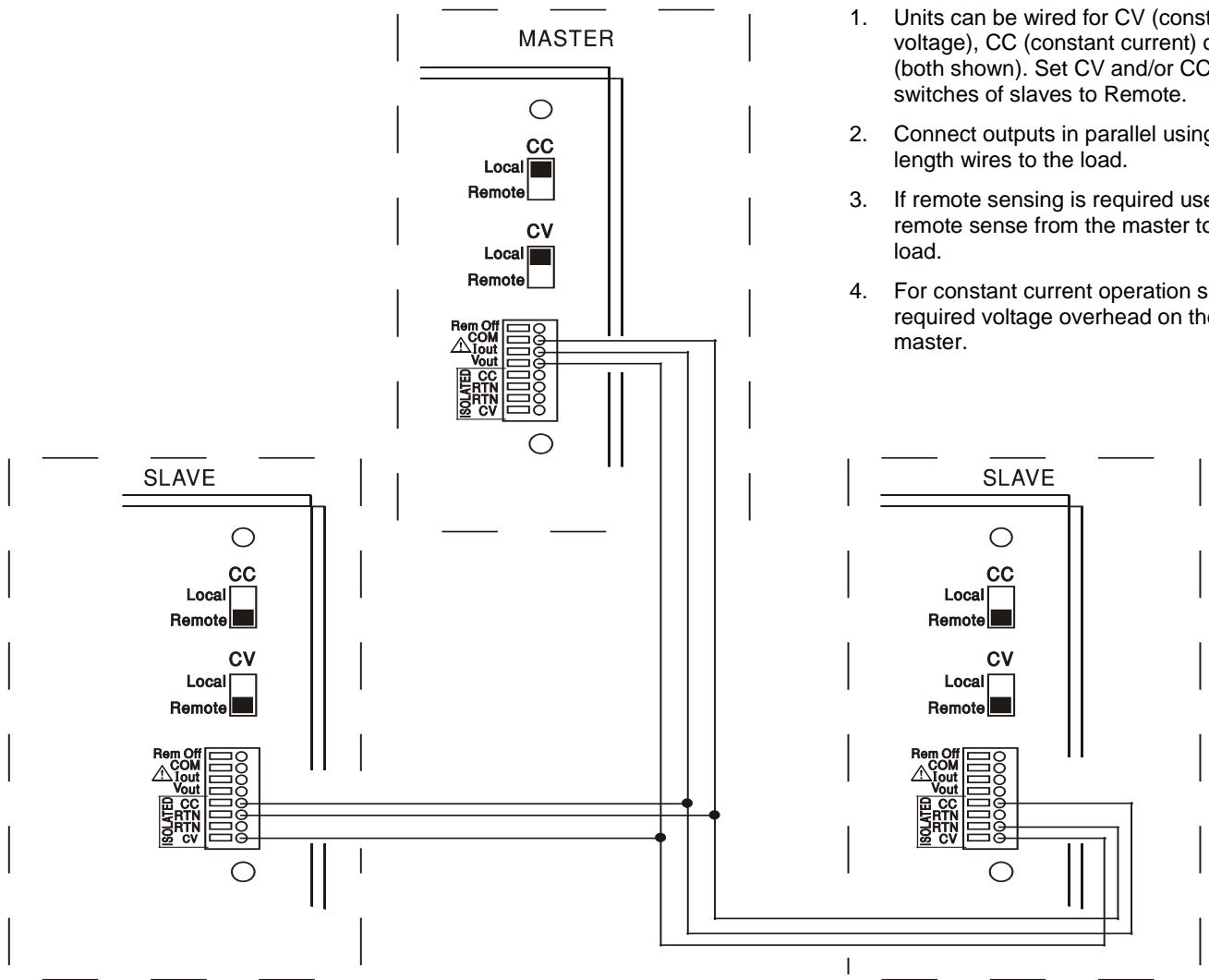


**Warning! COM is referenced to the output control circuit and will be within ~1V of the positive output potential.  $V_{OUT}$  and  $I_{OUT}$  are always present on the terminals.**

## Parallel Operation in Master-Slave Configuration

Parallel operation in Master-Slave configuration permits higher output currents to be realised with equal current sharing between units and control of both voltage and current from a single unit. The diagram shows 3 units connected in parallel. For equal current sharing each unit must be independently connected to the load with pairs of wires of equal gauge and length to ensure equal voltage drops. Connect the  $V_{out}$ ,  $I_{out}$  and COM of the master to the CV, CC and RTN inputs of the slaves (set CV and CC switches to Remote) as shown.

### Parallel Operation in Master-Slave Configuration



#### Notes:

1. Units can be wired for CV (constant voltage), CC (constant current) or both (both shown). Set CV and/or CC switches of slaves to Remote.
2. Connect outputs in parallel using equal length wires to the load.
3. If remote sensing is required use only remote sense from the master to the load.
4. For constant current operation set the required voltage overhead on the master.

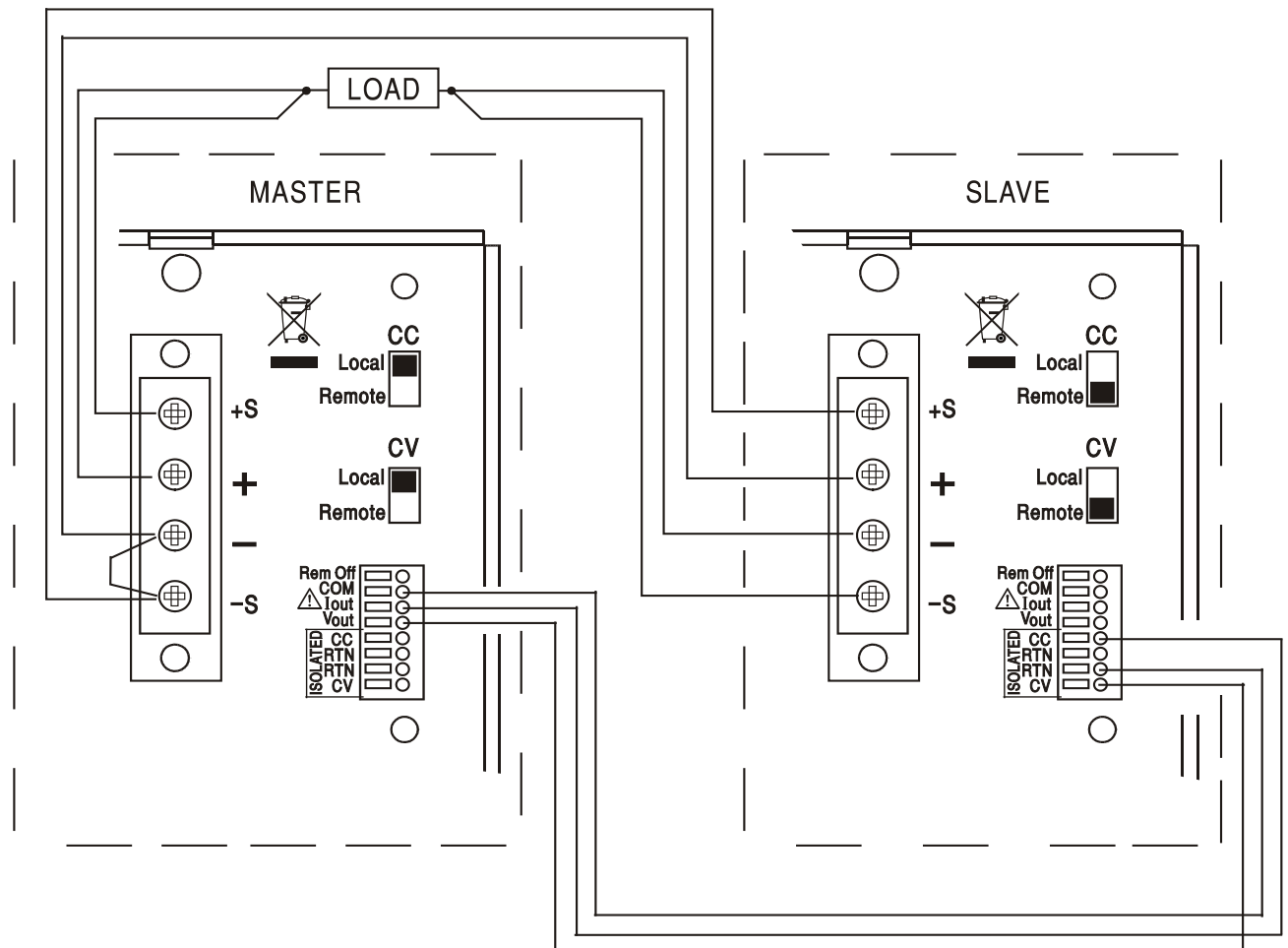


The voltage and current of the master can be set by either the front panel controls, via the digital interface, or by an external voltage applied to its own CV and CC analogue control inputs.

In constant voltage mode the voltage across the load is that set on the master unit by its front panel controls, via the digital interface or by the analogue CV remote control input. The current limit for the system (i.e. the current in constant current mode) is the current limit set on the master  $\times n$ , where  $n$  is the total number of units connected in parallel.

### Isolated or Series Operation in Master-Slave Configuration

Isolated or Series operation in Master-Slave configuration permits tracking output voltages and current limits to be set for multiple units from a single instrument. The diagram shows 2 units connected in series for tracking  $\pm$ Volts and tracking current limits. Connect the  $V_{out}$ ,  $I_{out}$  and COM of the master to the CV, CC and RTN inputs of the slaves (set CV and CC switches to Remote) as shown.



The diagram shows remote sense connections to the load; set the front panel sense switch to Remote. If remote sensing is not required, do not use the sense wires and set the sense switch to Local.

If independent current limits are required set CC to Local and set the limits from the front panel of each unit.



**Warning!** In series operation take care not to exceed the maximum rated operating voltage (300V) of any terminal with respect to earth ground ( $\perp$ ).

#### Remote Off

A switch closure or logic low between the rear panel Rem Off and COM inputs will remotely turn off the output if it was previously on; the front panel OUTPUT lamp will also go off. Opening the switch between Rem Off and COM will turn the output on again.



**Warning!** COM is referenced to the output control circuit and will be within  $\sim 1V$  of the positive output potential.

---

# Remote Interface Operation (XPF 60-20P only)

The instrument can be remotely controlled via its RS232, USB, LAN or GPIB interfaces.

USB remote control operates in a similar way to RS232 but via the USB connector. Software supplied with the instrument sets up the controlling computer to treat the USB connection as a virtual COM port. Application software on the computer can then access the instrument via that COM port.

The LAN interface is designed to meet LXI (Lan eXtensions for Instrumentation) version 1.2; the instrument is Class C compliant. Remote control using the LAN interface is possible using the TCP/IP Sockets protocol. The instrument also contains a basic Web server which provides information on the unit and allows it to be configured from a web browser. Simple command line control from the browser is also possible.

All interfaces are, by default, live at all times (a LXI requirement) but access to individual interfaces may be restricted using the configuration options on the web pages.

## Interface Locking

All interfaces are live at all times; this removes the need to select the active interface and is also a LXI requirement. To reduce the risk of the instrument being inadvertently under the control of two interfaces at once a simple lock and release mechanism is provided in the instruction set. The lock is automatically released where it is possible to detect disconnection and when the local button is pressed. Access to the interfaces may also be restricted using the web pages.

Any interface may request to have exclusive control of the instrument by sending an "IFLOCK" command. The lock may only be released by sending an "IFUNLOCK" command from the interface instance that currently has the lock and may be queried from any interface by sending an "IFLOCK?" command. The reply to any of these commands will be "-1" if the lock is owned by another interface instance, "0" if the interface is free and "1" if the lock is owned by the requesting interface instance. Sending any command from an interface without control privileges that attempts to change the instrument status will set bit 4 of the Standard Event Status Register and put 200 into the Execution Error Register to indicate that there are not sufficient privileges for the required action.

**Note:** it is also possible to configure the privileges for a particular interface to either 'read only' or 'no access' from the Web page interface.

## Address Selection

The instrument address capability is strictly required only by the GPIB interface. However, use can be made of the ADDRESS? command over any of the interfaces to easily identify which instrument is being controlled by a particular COM port (for RS232 or USB) or TCP socket (for LAN). Note that the LAN interface also has a separate 'Identify' function, accessible from the instrument's web pages, that flashes the instrument's display until the function is cancelled.

The address is set from the instrument's front panel as follows. Start with the instrument off and, with the VIEW and LOCK keys both held down, switch the instrument on. The display will show **Addr** in the Volts display and **nn** in the Amps display where **nn** is the present setting (default **Addr 11**). The address can be decremented and incremented by the VIEW and LOCK keys respectively in the range 1 to 31 inclusive (not 0), with 'wrap-round'. The address is confirmed and the process exited by holding down the OVP key; the display will show **SEt** and the new address for approximately 2 seconds, returning to the normal Volts and Amps display when the new address has been accepted.

The address can also be set from the instrument's web pages.

## Remote/Local Operation

At power-on the instrument will be in the local state with the REMote indicator off. In this state all front panel operations are possible. When the instrument is addressed to listen and a command is received the remote state will be entered and REMote will be turned on. In this state the front panel is locked out and remote commands only will be processed. The V/I settings and output state are unchanged but LOCK is cancelled (if it was on) and the range setting is defaulted to 60V/20A. The Sense settings remain as set by the front panel switches.

The instrument may be returned to the local state by pressing the LOCAL key; however, the effect of this action will only remain until the instrument is addressed again or receives another character from the interface, when the remote state will once again be entered. Returning to Local by this action, or by the use of the LOCAL command, will keep the V/I settings at their last remotely set values, with LOCK on, and will leave the output in its present state.

## RS232 Interface

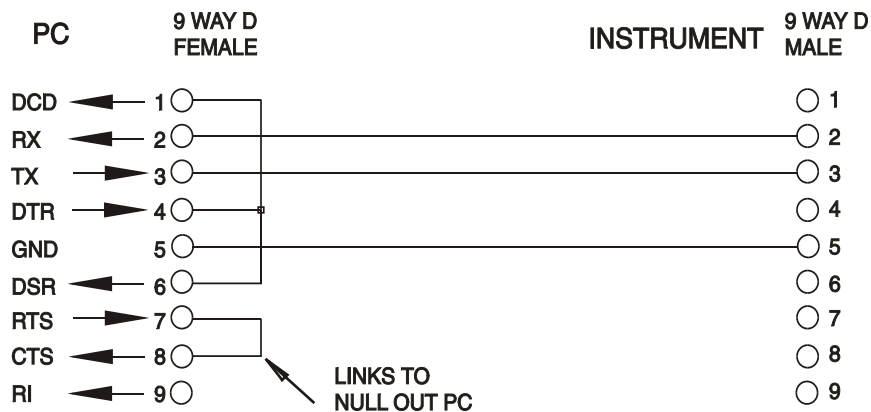
### RS232 Interface Connector

The 9-way D-type serial interface connector is located on the instrument rear panel. The pin connections are as shown below:

Pin	Name	Description
1	RI	Passively asserted (+V through 10k $\Omega$ )
2	TXD	Transmitted data from instrument
3	RXD	Received data to instrument
4	CTS	
5	GND	Signal ground
6	RTS	Passively asserted (+V through 10k $\Omega$ )
7	DSR	No internal connection
8	DTR	
9	CD	No internal connection

### RS232 Connections

The RS232 interface should be connected to a standard PC port using a fully wired 1:1 male-female cable without any cross-over connections. Alternatively, only pins 2, 3 and 5 need be connected to the PC, but with links made in the connector at the PC end between pins 1, 4 and 6 and between pins 7 and 8, see diagram.



---

Baud Rate for this instrument is fixed at 9600; the other parameters are fixed as follows:

Start Bits: 1

Parity: None

Data Bits: 8

Stop Bits: 1

## RS232 Character Set

Because of the need for XON/XOFF handshake it is possible to send ASCII coded data only; binary blocks are not allowed. Bit 7 of ASCII codes is ignored, i.e. assumed to be low. No distinction is made between upper and lower case characters in command mnemonics and they may be freely mixed. The ASCII codes below 20H (space) are not used. In this manual 20H, etc. means 20 in hexadecimal. The unit will send XOFF when there are 50 free bytes remaining and XON when this increases to 100 bytes.

## USB Interface

The USB interface is a virtual COM port which can be controlled by a PC as if it was a RS232 device. The instrument is supplied with a CD containing an .inf file for the standard Microsoft drivers available in Windows 2000, XP, Vista and Windows 7; the installation wizard will install the driver (32-bit or 64-bit) appropriate to the PC's operating system. Any updates are available via the TTI website, [www.tti-test.com](http://www.tti-test.com).

Installation of the interface driver is achieved by connecting the instrument to a PC via a standard USB cable. The Windows' plug and play functions should automatically recognise the addition of new hardware attached to the USB interface and, if this is the first time the connection has been made, prompt for the location of a suitable driver. Provided that the standard Windows prompts are followed correctly Windows will install the appropriate driver and establish a virtual COM port within the PC. The number of the new COM port will depend upon the number of co-existing COM ports within the PC. The virtual COM port can be driven by Windows applications in exactly the same way as a standard COM port, except that the Baud rate setting of the virtual COM port is ignored.

The driver will remain installed on the PC so that the establishment of a virtual COM port is done automatically each time the instrument is connected to the PC via USB in the future.

Further virtual COM ports are created for each additional instrument connected to the PC via USB. Each instrument is assigned a separate virtual COM port when it is first connected and the same COM port will be assigned each time that instrument is subsequently connected; the PC software makes use of the unique code embedded in each instrument to link it to the same virtual COM port irrespective of which physical USB port it is connected to.

Use can also be made of the ADDRESS? command to easily identify which instrument is being controlled by a particular COM port. Although the addressing capability is ignored in USB operation the address can still be set and used as an identifier; set each USB-connected instrument to a different address and send the ADDRESS? command from each virtual COM port to confirm which instrument is connected to that port.

## LAN Interface

The LAN interface is designed to comply with the LXI standard version 1.2 and contains the interfaces and protocols described below. Since it is possible to misconfigure the LAN interface, making it impossible to communicate with the instrument over LAN, a LAN Configuration Initialise (LCI) mechanism is provided via a recessed switch on the rear panel to reset the unit to the factory default. The default setting is for the instrument to attempt to obtain settings via DHCP if available or, if DHCP times out (30 seconds), via Auto-IP. In the very unlikely event that an Auto-IP address cannot be found a static IP address of 192.168.0.100 is assigned. Resetting the LAN removes any password protection.

For more information on LXI standards refer to [www.lxistandard.org/home](http://www.lxistandard.org/home) .

---

## LAN Connection

To use the LAN interface, the IP address of the unit must be known. There is a LXI Discovery Tool on the supplied CD-ROM which can be used to display the IP addresses (and other associated information) of all connected devices that comply with the VXI-11 discovery protocol. This tool is a Windows PC application that should be installed and run on the controlling PC with the unit either connected directly to the PC network connector or via a router. Connecting via a router is recommended as this is significantly quicker to assign an IP address; connecting directly to the PC will begin to assign an IP address only after a 30 second DHCP timeout. Double clicking on any entry in the list of devices discovered will open the PC's web browser and display the Home page of that device.

There are also tools for LAN discovery included as part of the National Instruments Measurement and Automation Explorer package and the Agilent Vee application.

The unit will, when first powered up, attempt to obtain settings via DHCP if available or, if DHCP times out (30 seconds), via Auto-IP. In the very unlikely event that an Auto-IP address cannot be found a static IP address of 192.168.0.100 is assigned. During this time the LAN lamp will be lit and it will stay lit if a LAN connection is successfully made. However, if a connection is still not made by the end of the above process, or if the LAN connector is physically removed at any time, the LAN lamp will go off; see LAN Error section for details.

## Web Server; Configuration Password Protection

The unit contains a basic web server. This provides information on the instrument and allows it to be configured. The Configure page can be password protected to deter unauthorised changes to the remote operation configuration; the default configuration is 'no password'.

The Configure page itself explains how to set the password. The password can be up to 15 characters long; note that the **User Name should be left blank**. The password will, however, be reset to the default (no password) if the rear panel LAN RESET switch is used to reset all the LAN parameters to their factory default.

The web pages also have an 'Identify' function which allows the user to send an identifying command to the instrument which causes its displays to flash until the command is cancelled.

## ICMP Ping Server

The unit contains an ICMP server allowing the instrument to be 'pinged' via either its host name or IP address.

## VXI-11 Discovery Protocol

The instrument has very limited support of VXI-11 which is sufficient for the discovery protocol and no more.

The instrument implements a Sun RPC Port-mapper on TCP port 111 and UDP port 111 as defined in RPC1183. The calls supported are: NULL, GET PORT and DUMP.

On TCP port 1024 a very simple VXI-11 protocol is implemented sufficient only for instrument discovery. This implements the following calls: CREATE LINK, DEVICE\_WRITE, DEVICE\_READ and DESTROY\_LINK.

Once a link has been created anything written to the device is ignored and any read from the device returns the identification string as would be expected from a "\*IDN?" of the form

*'Manufacturer,Model,Serial No.,X.xx – Y.yy'*

*for example*

*SORENSEN, XPF 60-20P, 279730, 1.00 – 1.00*

where 'X.xx' is the revision of the main firmware and 'Y.yy' is the revision of the interface firmware. Interface firmware is user field updateable via the USB port.

---

## VISA Resource Name

Because of the limited support for VXI-11(Discovery Protocol only), the instrument must be referred to by its raw socket information when used in software packages which communicate via a VISA resource name. For example, an instrument at IP address 192.168.1.100 would normally have a VISA resource name of "TCPIP0::192.168.1.100::inst0::INSTR" but for this instrument the name must be modified to read "TCPIP0::192.168.1.100::9221::SOCKET" where 9221 is the TCP port used by this instrument for control and monitoring, see below.

## XML Identification Document URL

As required by the LXI Standard, the instrument provides an XML identification document that can be queried via a GET at "http://<hostname>:80/lxi/identification" that conforms to the LXI XSD Schema (available at <http://www.lxistandard.org/InstrumentIdentification/1.0>) and the W3C XML Schema Standards ( <http://www.w3.org/XML/Schema> ). This document describes the instrument.

## TCP Sockets

The instrument uses 2 sockets on TCP port 9221 for instrument control and monitoring. Text commands are sent to this port as defined in 'Remote Commands' and any replies are returned via the same port. Any string must be one or more complete commands. Commands may be separated with either semicolons ";" or line feeds. No terminator is required since the TCP frame contains complete commands though commands may be sent with a terminator if desired (it will be ignored). Each command over TCP behaves as if it is terminated with a command terminator (ASCII character 0AH, line feed).

## LAN Error

If a LAN connection is made but an error is detected (e.g. the IP address is the same as another device on the network) then the instrument's LAN lamp (above the Output 2 meters) will be off until the error is corrected. If a LAN error occurs; check and correct the configuration of the instrument; a LAN Configuration Initialise (LCI) mechanism is provided via a recessed switch on the rear panel (marked LAN RESET) to reset the unit to the factory default. The default setting is for the instrument to attempt to obtain settings via DHCP if available or, if DHCP times out (30 seconds), via Auto-IP. In the very unlikely event that an Auto-IP address cannot be found a static IP address of 192.168.0.100 is assigned.

If no physical LAN connection is found at any time the LAN lamp will be off.

## GPIOB Interface

The GPIOB interface 24-way connector is located on the instrument rear panel. The pin connections are as specified in IEEE Std. 488.1-1987 and the instrument complies with IEEE Std. 488.1-1987 and IEEE Std. 488.2-1987.

## GPIOB Subsets

This instrument contains the following IEEE 488.1 subsets:

Source Handshake	SH1
Acceptor Handshake	AH1
Talker	T6
Listener	L4
Service Request	SR1
Remote Local	RL2
Parallel Poll	PP1
Device Clear	DC1
Device Trigger	DT0
Controller	C0
Electrical Interface	E2

---

## GPIB IEEE Std. 488.2 Error Handling – Query Error Register

The IEEE 488.2 UNTERMINATED error (addressed to talk with nothing to say) is handled as follows. If the instrument is addressed to talk and the response formatter is inactive and the input queue is empty then the UNTERMINATED error is generated. This will cause the Query Error bit to be set in the Standard Event Status Register, a value of 3 to be placed in the Query Error Register and the parser to be reset. See the Status Reporting section for further information.

The IEEE 488.2 INTERRUPTED error is handled as follows. If the response formatter is waiting to send a response message and a <PROGRAM MESSAGE TERMINATOR> has been read by the parser or the input queue contains more than one END message then the instrument has been INTERRUPTED and an error is generated. This will cause the Query Error bit to be set in the Standard Event Status Register, a value of 1 to be placed in the Query Error Register and the response formatter to be reset thus clearing the output queue. The parser will then start parsing the next <PROGRAM MESSAGE UNIT> from the input queue. See the Status Reporting section for further information.

The IEEE 488.2 DEADLOCK error is handled as follows. If the response formatter is waiting to send a response message and the input queue becomes full then the instrument enters the DEADLOCK state and an error is generated. This will cause the Query Error bit to be set in the Standard Event Status Register, a value of 2 to be placed in the Query Error Register and the response formatter to be reset thus clearing the output queue. The parser will then start parsing the next <PROGRAM MESSAGE UNIT> from the input queue. See the Status Reporting section for further information.

## GPIB Parallel Poll

Complete parallel poll capabilities are offered on this instrument. The Parallel Poll Enable Register is set to specify which bits in the Status Byte Register are to be used to form the *ist* local message. The Parallel Poll Enable Register is set by the \*PRE <nrf> command and read by the \*PRE? command. The value in the Parallel Poll Enable Register is ANDed with the Status Byte Register; if the result is zero then the value of *ist* is 0 otherwise the value of *ist* is 1.

The instrument must also be configured so that the value of *ist* can be returned to the controller during a parallel poll operation. The instrument is configured by the controller sending a Parallel Poll Configure command (PPC) followed by a Parallel Poll Enable command (PPE). The bits in the PPE command are shown below:

bit 7 =	X	don't care
bit 6 =	1	Parallel poll enable
bit 5 =	1	
bit 4 =	0	
bit 3 =	Sense	sense of the response bit; 0 = low, 1 = high
bit 2 =	?	bit position of the response
bit 1 =	?	
bit 0 =	?	

*Example.* To return the RQS bit (bit 6 of the Status Byte Register) as a 1 when true and a 0 when false in bit position 1 in response to a parallel poll operation send the following commands

\*PRE 64<pmt>, then PPC followed by 69H (PPE)

The parallel poll response from the instrument will then be 00H if RQS is 0 and 01H if RQS is 1.

During parallel poll response the DIO interface lines are resistively terminated (passive termination). This allows multiple devices to share the same response bit position in either wired-AND or wired-OR configuration, see IEEE 488.1 for more information.

---

## Status Reporting

A separate error and status model is maintained for each interface instance; an interface instance is defined as a potential connection. USB, RS232 and GPIB are inherently single connections so represent one interface instance each. LAN, however, allows for multiple simultaneous connections and therefore represents multiple interface instances. Two interface instances are allocated to the two TCP socket interfaces and one more is allocated to the Web page interface. Having a separate model for each interface instance ensures that data does not get lost as many commands e.g. '\*ESR?' clear the contents on read.

Error status is maintained using a set of registers; these are described in the following paragraphs and shown on the Status Model at the end of this section.

### Standard Event Status and Standard Event Status Enable Registers

These two registers are implemented as required by the IEEE Std. 488.2.

Any bits set in the Standard Event Status Register which correspond to bits set in the Standard Event Status Enable Register will cause the ESB bit to be set in the Status Byte Register.

The Standard Event Status Register is read and cleared by the \*ESR? command. The Standard Event Status Enable register is set by the \*ESE <nrf> command and read by the \*ESE? command.

It is a bit field where each bit has the following significance.

- Bit 7: Power On. Set when power is first applied to the instrument.
- Bit 6: User Request (Not used).
- Bit 5: Command Error. Set when a syntax type error is detected in a command from the bus. The parser is reset and parsing continues at the next byte in the input stream
- Bit 4: Execution Error. Set when an error is encountered while attempting to execute a completely parsed command. The appropriate error number will be reported in the Execution Error Register, see Error Messages section
- Bit 3: Verify Timeout Error. Set when a parameter is set with 'verify' specified and the value is not reached within 5 seconds, e.g. output voltage is slowed by a large capacitor on the output.
- Bit 2: Query Error. Set when a query occurs. The appropriate error number will be reported in the Query Error Register, see Query Error Register section.
- Bit 1: Not used.
- Bit 0: Operation Complete: Set in response to the '\*OPC' command.

### Execution Error Register

This register contains a number representing the last error encountered over the current interface. The Execution Error Register is read and cleared using the 'EER?' command. On power up this register is set to 0 for all interface instances.

Error messages have the following meaning:

- 0: No error encountered
- 1-9: Internal hardware error detected.
- 100: Range error. The numeric value sent is not allowed. This includes numbers that are too big or too small for the parameter being set and non-integers being sent where only integers are allowed.
- 101: A recall of set up data has been requested but the store specified contains corrupted data. This indicates either a hardware fault or a temporary data corruption, which can be corrected by writing data to the store again.
- 102: A recall of set up data has been requested but the store specified does not contain any data.



- 
- 103: Attempt to read or write a command on a second output when it is not available. Typically this will occur if attempting to program the second output on single channel instruments or on a two-channel instrument which is set to parallel mode.
  - 104: Command not valid with output on.
  - 200: Read Only: An attempt has been made to change the settings of the instrument from an interface without write privileges, see the Interface Locking section.

### Limit Event Status and Limit Event Status Enable Registers

For single output power supplies there is one Limit Event Status Register; for dual power supplies (except if operating in parallel mode) there are two. These are read and cleared using 'LSR1?' and 'LSR2?' respectively. On power-up these registers are set to 0 then immediately set to show new limit status.

Any bits set in a Limit Event Status Register which correspond to bits set in the accompanying Limit Event Status Enable Register will cause the LIM1 or LIM2 bit to be set in the Status Byte Register.

- Bit 7: Reserved for future use
- Bit 6: Set when a trip has occurred that can only be reset from the front panel or by removing and reapplying the AC power.
- Bit 5: Reserved for future use
- Bit 4: Set when output enters power limit (Unregulated mode).
- Bit 3: Set when an output over current trip has occurred
- Bit 2: Set when an output over voltage trip has occurred.
- Bit 1: Set when output enters current limit (CC mode)
- Bit 0: Set when output enters voltage limit (CV mode)

### Status Byte Register and Service Request Enable Register

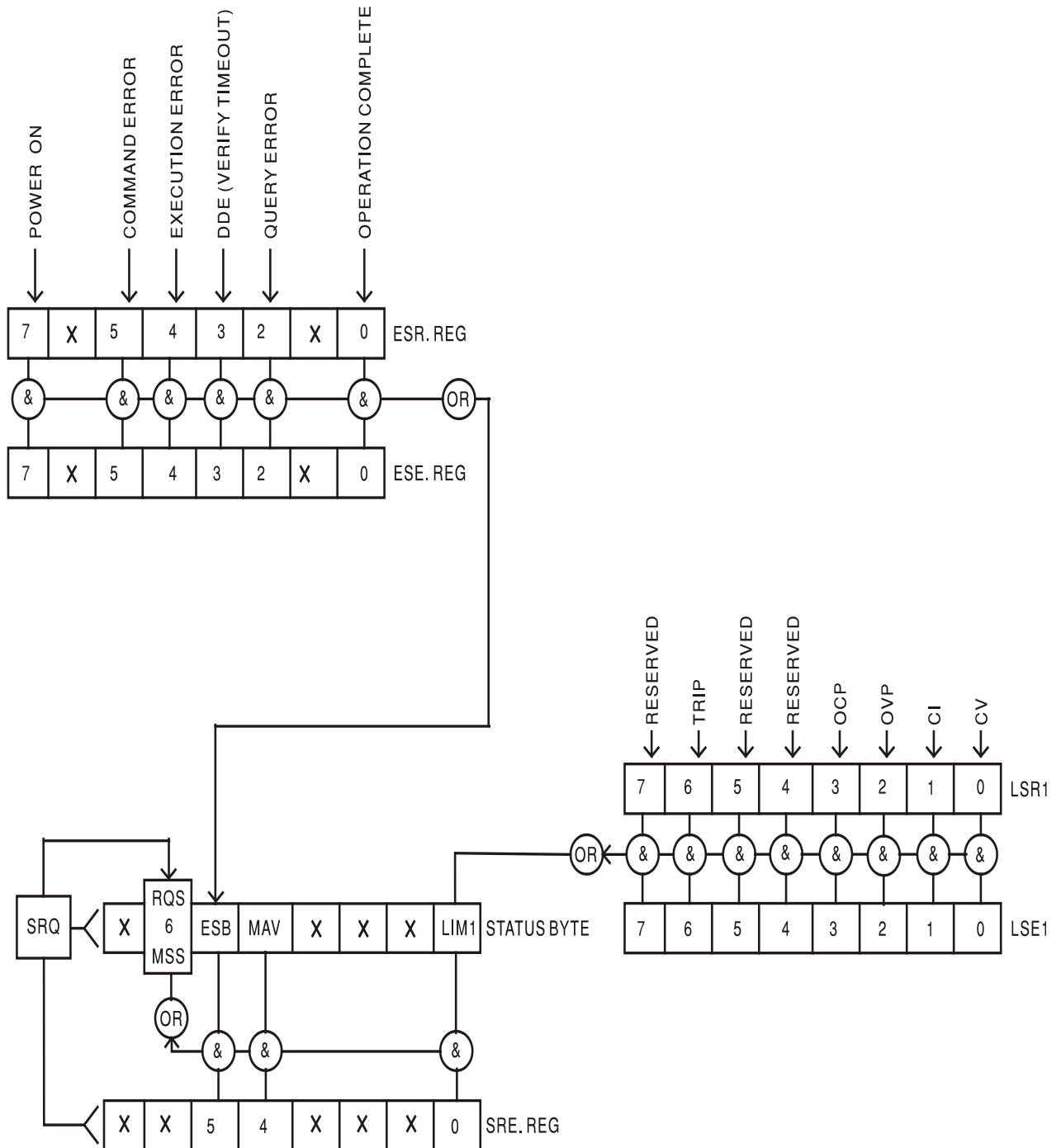
These two registers are implemented as required by the IEEE Std. 488.2.

Any bits set in the Status Byte Register which correspond to bits set in the Service Request Enable Register will cause the RQS/MSS bit to be set in the Status Byte Register, thus generating a Service Request on the bus.

The Status Byte Register is read either by the \*STB? command, which will return MSS in bit 6, or by a Serial Poll which will return RQS in bit 6. The Service Request Enable register is set by the \*SRE <nrf> command and read by the \*SRE? command.

- Bit 7 - Not used.
- Bit 6 - RQS/MSS. This bit, as defined by IEEE Std. 488.2, contains both the Requesting Service message and the Master Status Summary message. RQS is returned in response to a Serial Poll and MSS is returned in response to the \*STB? command.
- Bit 5 - ESB. The Event Status Bit. This bit is set if any bits set in the Standard Event Status Register correspond to bits set in the Standard Event Status Enable Register.
- Bit 4 - MAV. The Message Available Bit. This will be set when the instrument has a response message formatted and ready to send to the controller. The bit will be cleared after the Response Message Terminator has been sent.
- Bit 3 - Not used.
- Bit 2 - Not used.
- Bit 1 - LIM2. This will be set if any bits in Limit Event Status Register 2 are set and corresponding bits are set in Limit Event Status Enable Register 2.
- Bit 0 - LIM1. This will be set if any bits in Limit Event Status Register 1 are set and corresponding bits are set in Limit Event Status Enable Register 1.

## Status Model



---

## Power-on and Remote Operation Default Settings

The following instrument status values are set at power on:

Status Byte Register	= 0
Service Request Enable Register †	= 0
Standard Event Status Register	= 128 (pon bit set)
Standard Event Status Enable Register †	= 0
Execution Error Register	= 0
Query Error Register	= 0
Parallel Poll Enable Register †	= 0

† Registers marked thus are specific to the GPIB section of the instrument and are of limited use via other interfaces.

The instrument will be in local state with the front panel controls active.

The instrument parameters at power-on are the same as at last switch off with the exception of the output status. By default this is always off at power on but the user may change this from the front panel to the same at power on as at switch off, see Switching On paragraph in the Manual Operation section.

The \*RST (reset) interface command resets the instrument to the Remote Operation Default settings.

Remote Operation Default settings are:

$V_{out}=1V$ ,  $I_{out}=1A$ ,  $\Delta V=10mV$ ,  $\Delta I=10mA$ , Lock cancelled, OVP = 66V & OCP = 22A.

Remote interface settings and Output state at power-on setting are unchanged by \*RST.

Sense settings are as determined by the front panel switches.

---

# Remote Commands (XPF 60-20P only)

## RS232/USB Remote Command Format

RS232 input to the instrument is buffered in a 256 byte input queue which is filled, under interrupt, in a manner transparent to all other instrument operations. The instrument will send XOFF when approximately 200 characters are in the queue. XON will be sent when approximately 100 free spaces become available in the queue after XOFF was sent. This queue contains raw (un-parsed) data which is taken, by the parser, as required. Commands (and queries) are executed in order and the parser will not start a new command until any previous command or query is complete. RS232 responses to commands or queries are sent immediately; there is no output queue.

USB input conforms with USB 2.0 Full Speed.

Commands must be sent as specified in the commands list and must be terminated with the command terminator code 0AH (Line Feed, LF). Commands may be sent in groups with individual commands separated from each other by the code 3BH (;). The group must be terminated with command terminator 0AH (Line Feed, LF).

Responses from the instrument to the controller are sent as specified in the commands list. Each response is terminated by a <RESPONSE MESSAGE TERMINATOR> which is 0DH (Carriage Return, CR) followed by 0AH (Line Feed, LF).

<WHITE SPACE> is defined as character codes 00H to 20H inclusive.

<WHITE SPACE> is ignored except in command identifiers. e.g. '\*C LS' is not equivalent to '\*CLS'.

The high bit of all characters is ignored.

The commands are case insensitive.

## GPIB Remote Command Formats

GPIB input to the instrument is buffered in a 256 byte input queue which is filled, under interrupt, in a manner transparent to all other instrument operations. The queue contains raw (un-parsed) data which is taken, by the parser, as required. Commands (and queries) are executed in order and the parser will not start a new command until any previous command or query is complete. There is no output queue which means that the response formatter will wait, indefinitely if necessary, until the instrument is addressed to talk and the complete response message has been sent, before the parser is allowed to start the next command in the input queue.

Commands are sent as <PROGRAM MESSAGES> by the controller, each message consisting of zero or more <PROGRAM MESSAGE UNIT> elements separated by <PROGRAM MESSAGE UNIT SEPARATOR> elements.

A <PROGRAM MESSAGE UNIT> is any of the commands in the remote commands list.

A <PROGRAM MESSAGE UNIT SEPARATOR> is the semi-colon character ';' (3BH).

<PROGRAM MESSAGES> are separated by <PROGRAM MESSAGE TERMINATOR> elements which may be any of the following:

NL	The new line character (0AH)
NL^END	The new line character with the END message
^END	The END message with the last character of the message

Responses from the instrument to the controller are sent as <RESPONSE MESSAGES>. A <RESPONSE MESSAGE> consists of one <RESPONSE MESSAGE UNIT> followed by a <RESPONSE MESSAGE TERMINATOR>.

A <RESPONSE MESSAGE TERMINATOR> is the new line character with the END message NL^END.

Each query produces a specific <RESPONSE MESSAGE> which is listed along with the command in the remote commands list.

<WHITE SPACE> is ignored except in command identifiers. e.g. '\*C LS' is not equivalent to '\*CLS'.

<WHITE SPACE> is defined as character codes 00H to 20H inclusive with the exception of the NL character (0AH).

The high bit of all characters is ignored. The commands are case insensitive.

---

## Command List

This section lists all commands and queries implemented in this instrument.

Note that there are no dependent parameters, coupled parameters, overlapping commands, expression program data elements or compound command program headers; each command is completely executed before the next command is started. All commands are sequential and the operation complete message is generated immediately after execution in all cases.

The following nomenclature is used:

<rmt>	<RESPONSE MESSAGE TERMINATOR>
<nrf>	A number in any format. e.g. 12, 12.00, 1.2 e1 and 120 e-1 are all accepted as the number 12. Any number, when received, is converted to the required precision consistent with the use then rounded to obtain the value of the command.
<nr1>	A number with no fractional part, i.e. an integer.
<nr2>	A number in fixed point format e.g. 11.52, 0.78 etc.
<n>	The number of the output (1, 2, etc) or associated status register to which the command relates. For this single output instrument <n> is always '1', so the commands are, for example, V1 <nrf>, I10?, etc. This is to keep the command format entirely compatible with that used on multi-output TTi programmable power supplies; a dual output supply, for example, would have a duplicate set of commands V2<nrf>, I20?, etc.

The commands which begin with a \* are implemented as specified by IEEE Std 488.2 as Common commands. All will function when used on the other interfaces but some may be of little use.

### Instrument Specific Commands

For commands specified as 'WITH VERIFY' the operation is completed when the parameter being adjusted reaches the required value to within  $\pm 5\%$  or  $\pm 10$  counts, whichever is the greater. If the value fails to settle within these limits within 5 seconds then the Verify Timeout bit (bit 3) is set in the Standard Event Status Register and the operation is completed at the end of the timeout period.

The Operation Complete bit (bit 0) in the Standard Event Status Register is only ever set by the \*OPC command. The \*OPC (or the \*OPC?) command can be used for device synchronisation due to the sequential nature of remote operations.

V<n> <nrf>	Set output <n> to <nrf> Volts
V<n>V <nrf>	Set output <n> to <nrf> Volts with verify
OVP<n> <nrf>	Set output <n> over voltage protection trip point to <nrf> Volts
I<n> <nrf>	Set output <n> current limit to <nrf> Amps
OCP<n> <nrf>	Set output <n> over current protection trip point to <nrf> Amps
I<n>?	Returns the set current limit of output <n> The response is I <n> <nr2><rmt> where <nr2> is in Amps
OVP<n>?	Returns the voltage trip setting for output <n> The response is VP<n> <nr2><rmt> where <nr2> is in Volts
OCP<n>?	Returns the current trip setting for output <n> The response is CP<n> <nr2><rmt> where <nr2> is in Amps
V<n>O?	Returns the output readback voltage for output <n> The response is <nr2>V<rmt> where <nr2> is in Volts
I<n>O?	Returns the output readback current for output <n> The response is <nr2>A<rmt> where <nr2> is in Amps

---

DELTAV<n> <nrf>	Set the output <n> voltage step size to <nrf> Volts
DELTAI<n> <nrf>	Set the output <n> current step size to <nrf> Amps
DELTAV<n>?	Returns the output <n> voltage step size The response is DELTAV<n> <nr2><rmt> where <nr2> is in Volts.
DELTAI<n>?	Returns the output <n> current step size The response is DELTAI<n> <nr2><rmt> where <nr2> is in Amps.
INCV<n>	Increment the output <n> voltage by the step size set for output <n>
INCV<n>V	Increment the output <n> voltage by the step size set for output <n> and verify.
DECV<n>	Decrement the output <n> voltage by the step size set for output <n>
DECV<n>V	Decrement the output <n> voltage by the step size set for output <n> and verify
INCI<n>	Increment the output <n> current limit by the step size set for output <n>
DECI<n>	decrement the output <n> current limit by the step size set for output <n>
OP<n> <nrf>	set output <n> on/off where <nrf> has the following meaning: 0=OFF, 1=ON
OP<n>?	Returns output <n> on/off status. The response is <nr1><rmt> where 1 = ON, 0 = OFF.
TRIPRST	Attempt to clear all trip conditions.
LOCAL	Go to local. This does not release any active interface lock so that the lock remains with the selected interface when the next remote command is received.
IFLOCK	Request interface lock. This command requests exclusive access control of the instrument. The response is 1 if successful or -1 if the lock is unavailable either because it is already in use or the user has disabled this interface from taking control using the web interface
IFLOCK?	Query the status of the interface lock. The return value is 1 if the lock is owned by the requesting interfaced instance; 0 if there is no active lock or -1 if the lock is unavailable either because it is already in use, or the user has disabled this interface from taking control using the web interface.
IFUNLOCK	Release the lock if possible. This command returns the value 0 if successful. If this command is unsuccessful -1 is returned, 200 is placed in the Execution Register and bit 4 of the Event Status Register is set indicating that there is no authority to release the lock.
LSR<n>?	Query and clear Limit Event Status Register <n>. The response is <nr1><rmt>. See Status Reporting section for details.
LSE<n> <nrf>	Set the value of LSE<n>, Limit Event Status Enable Register <n>, to <nrf>
LSE<n>?	Return the value of LSE<n>, Limit Event Status Enable Register <n> - response is <nr1><rmt>

## System and Status Commands

*CLS	Clear Status. Clears the Status structure. This indirectly clears the Status Byte Register.
EER?	Query and clear Execution Error Register. The response format is nr1<rmt>.
*ESE <nrf>	Set the Standard Event Status Enable Register to the value of <nrf>

---

*ESE?	Returns the value in the Standard Event Status Enable Register in <nr1> numeric format. The syntax of the response is <nr1><rmt>
*ESR?	Returns the value in the Standard Event Status Register in <nr1> numeric format. The register is then cleared. The response is <nr1><rmt>. See Status Reporting section for details.
*IST?	Returns <b>ist</b> local message as defined by IEEE Std. 488.2. The syntax of the response is 0<rmt>, if the local message is false, or 1<rmt>, if the local message is true.
*OPC	Sets the Operation Complete bit (bit 0) in the Standard Event Status Register. This will happen immediately the command is executed because of the sequential nature of all operations.
*OPC?	Query Operation Complete status. The response is always 1<rmt> and will be available immediately the command is executed because all commands are sequential.
*PRE <nrf>	Set the Parallel Poll Enable Register to the value <nrf>.
*PRE?	Returns the value in the Parallel Poll Enable Register in <nr1> numeric format. The syntax of the response is <nr1><rmt>
QER?	Query and clear Query Error Register. The response format is nr1<rmt>
*RST	Resets the instrument to the remote control default settings with the exception of all remote interface settings and Output state at power-on setting. (see Remote Operation Defaults paragraph in the Remote Interface Operation section)
*SRE <nrf>	Set the Service Request Enable Register to <nrf>.
*SRE?	Returns the value of the Service Request Enable Register in <nr1> numeric format. The syntax of the response is <nr1><rmt>
*STB?	Returns the value of the Status Byte Register in <nr1> numeric format. The syntax of the response is <nr1><rmt>
*WAI	Wait for Operation Complete true. As all commands are completely executed before the next is started this command takes no additional action.

### Miscellaneous Commands

*IDN?	Returns the instrument identification. The exact response is determined by the instrument configuration and is of the form <NAME>,<model>,<Serial No.>, <version><rmt> where <NAME> is the manufacturer's name, <model> defines the type of instrument, Serial No. is the unique serial number and <version> is the revision level of the software installed. The format of <version> is X.xx – Y.yy where X.xx is the revision of the main instrument firmware and Y.yy is the revision of the Interface board firmware. The Interface firmware is field updateable by the user via the USB port.
ADDRESS?	Returns the bus address of the instrument; This is the address used by GPIB, if fitted, or may be used as a general identifier over the other interfaces.
*TST?	The PSU has no self test capability and the response is always 0 <rmt>
*TRG	The PSU has no trigger capability. The command is accepted but performs no action.

### Error Messages

Each error message has a number; only this number is reported via the remote control interfaces. Error message numbers are not displayed but are placed in the Execution Error Register where they can be read via the remote interfaces, see Status Reporting section.

---

# Calibration

Routine calibration is carried out without opening the instrument. Allow a 5 minutes warm-up before commencing calibration.

## Equipment Required

A 5½ digit multimeter with better than 0.05% accuracy on dc Volts and better than 0.12% accuracy on dc current to 10 Amps; alternatively use a precision shunt for current measurement.

Rheostat or other high power load arrangement to provide up to full load.

## Calibration Procedure

Calibration mode is entered by holding down the three Range keys (60V/20A, 60V/7A and 20V/20A) while the POWER switch is turned on ( I ). All the display segments and other indicator lamps will be lit, as a display test. When the Range keys are released the display will show the first calibration step and the 20V/20A lamp will blink slowly.

In calibration mode the 60V/7A key steps forward to the next adjustment and 60V/20A key steps backwards. At each step the calibration must first be made 'active' by pressing the 20V/20A key; the 20V/20A lamp blinks rapidly when calibration is active and the calibration value is adjusted using the MAIN and FINE VOLTAGE controls. If the 20V/20A key is not pressed at any step, calibration is not activated at that step and the existing calibration value is retained when the step is exited.

During calibration the top (V) display shows the calibration value and the lower (A) display shows the step number. Some calibration values are 5-digit, in which case the 5<sup>th</sup> digit is shown in the left- hand digit of the lower (A) display.

Some steps adjust values on the display and some adjust the output. When a step adjusts the output, measured by the DMM, the top (V) display shows a number (the calibration count).

Calibration **must** be done in sequence. However, it is possible to pass through a step, without making an adjustment, providing the 20V/20A key is not pressed, see above.

The full procedure is detailed in the table. Note the following:

- The OVP step (step 5) will jitter because the display shows more resolution than is available for this function.
- The CURRENT control must be at minimum for step 6.
- The **change load** message between steps 8 and 9 is the point at which the high current range must be selected on the DMM.
- The final step in the sequence (step 11) shows **End**. Pressing the 20V/20A key for 2½ seconds stores the new calibration values and reboots the instrument in the normal operating mode. Until this is done the new values are not stored permanently.
- Turning POWER off at any point will retain all the old calibration values.

(Table next page)



Step	Settings	Display	Adjust for	Load	Detail
1.	O/P off	Cal count	-5mV ± 2mV	DVM	O/P off volts
2.	0V	Cal count	0V ± 2mV	DVM	V DAC zero
3.	Max V, 1A	Cal count	60V ±2mV	DVM	V DAC scale
4.	Max V, 1A	O/P volts	Display = DVM	DVM	V metering scale
5.	Max V, 1A	OVP setting	Display = DVM	DVM	OVP
6.	I <sub>pot</sub> at 0	I <sub>pot</sub>	Display = 0	-	I <sub>pot</sub> ADC zero
7.	4V, 0A	Cal count	0mA ± 2mA	milli-ammeter	I DAC zero
8.	4V, 0A	O/P amps	Display = milli-ammeter ±2mA	milli-ammeter	I metering zero
		<b>Change load</b>			
9.	4V, 10A	Cal count	10A ±10mA	Ammeter	I DAC scale
10.	4V, 10A	O/P amps	Display = ammeter	Ammeter	I metering scale
11.	O/P off	<b>End</b>	-	-	Stores and exits

## Powerflex Adjustment

This is factory set and would not normally need to be readjusted during routine calibration. However, if a component in that part of the circuit has been changed, proceed as follows. These adjustments are on the Control PCB mounted behind the front panel, accessed by removing the top cover which is secured by 6 screws.

### WARNING!

When the instrument is connected to its supply the removal of covers is likely to expose live parts. Any adjustment of the opened instrument under voltage shall be avoided as far as possible and, if inevitable, shall be carried out only by a skilled person who is aware of the hazard involved. Note in particular that the heatsinks and other components to the rear of the fan are at a hazardous voltage.

VR1/VR2 are the PowerFlex adjustments; these potentiometers can be found close to the current shunt heatsink. VR1 is accessed from above and VR2 from the side

Set the PSU to maximum volts and current.

Set the load to 7.35A and switch on.

Adjust VR1 so that the **UNREG** led just comes **on**.

Set psu voltage to 22V.

Set the load to 20.00A.

Adjust VR2 for 21.1X volts (**UNREG** led should be **on**).

These adjustments are most easily performed using an electronic load.

---

# Maintenance

The Manufacturers or their agents overseas will provide repair for any unit developing a fault. Where owner wish to undertake their own maintenance work, this should only be done by skilled personnel in conjunction with the service manual which may be purchased directly from the Manufacturers or their agents overseas.

## Fuse

The correct fuse type is:

10 Amp 250V HBC time-lag, 5 x 20mm

Make sure that only fuses of the required rated current and specified type are used for replacement. The use of makeshift fuses and the short-circuiting of fuse-holders is prohibited.

**Important Note:** The main function of the fuse is to make the instrument safe and limit damage in the event of failure of one of the switching devices. If the fuse fails it is therefore very likely that the replacement will also blow, because the supply has developed a fault; in such circumstances the instrument will need to be returned to the manufacturer for service.

If replacing the fuse is considered appropriate, proceed as follows:

1. Ensure that the instrument is disconnected from the AC supply.
2. Remove the two plastic push-rivets at each side edge of the top cover. Use the blade of a small screwdriver to first ease out the rivet head and then fully remove the rivet body. Remove the three rear panel screws securing the top cover; slide the cover back and lift off.
3. Remove the plastic push-rivets at each side of the fan mounting bracket. Turn the instrument on to its side and remove the two screws on the base of the instrument (just beside the ventilation holes) that secure the fan mounting bracket to the chassis. Unplug the fan cable assembly from the Main PCB. Carefully remove the fan and mounting bracket, this may require the connection assembly between the Interface PCB and control PCB to be removed (XPF 60-20P only).
4. Undo the two nuts securing the orange and black wires (from the Power PCB) to the Main PCB studs and disconnect the wires. Unplug the 9-way connector of the Control PCB to Power PCB cable assembly from the Control PCB. Undo the two M4 nuts and bolts securing the top edge of the Power PCB to the chassis side, taking care not to lose the spacers, then remove the two M3 screws towards the centre of the PCB. Carefully lift the board assembly out, keeping the board level so as to avoid bending the connecting pins.
5. The fuse is situated at the rear of the instrument, on the Main PCB assembly. Replace the fuse with one of the correct type.
6. To reassemble the instrument, repeat the above procedure in the reverse order. Take great care when inserting the power board assembly back into the instrument. There are two 8 way headers on the Main board assembly next to the fuse that plug into complementary sockets on the Power PCB assembly. To ensure that these align correctly, view the connection through the aperture in the side of the chassis.

## Cleaning

If the instrument requires cleaning use a cloth that is only lightly dampened with water or a mild detergent.

**WARNING! TO AVOID ELECTRIC SHOCK, OR DAMAGE TO THE INSTRUMENT, NEVER ALLOW WATER TO GET INSIDE THE CASE. TO AVOID DAMAGE TO THE CASE NEVER CLEAN WITH SOLVENTS.**

Cet instrument est de Classe de sécurité 1 suivant la classification IEC et il a été construit pour satisfaire aux impératifs EN61010-1 (impératifs de sécurité pour le matériel électrique en vue de mesure, commande et utilisation en laboratoire). Il s'agit d'un instrument d'installation Catégorie II devant être exploité depuis une alimentation monophasée habituelle.

Cet instrument a été soumis à des essais conformément à EN61010-1 et il a été fourni en tout état de sécurité. Ce manuel d'instructions contient des informations et avertissements qui doivent être suivis par l'utilisateur afin d'assurer un fonctionnement de toute sécurité et de conserver l'instrument dans un état de bonne sécurité.

Cet instrument a été conçu pour être utilisé en interne dans un environnement de pollution Degré 2, plage de températures 5°C à 40°C, 20% - 80% HR (sans condensation). Il peut être soumis de temps à autre à des températures comprises entre +5°C et -10°C sans dégradation de sa sécurité. Ne pas l'utiliser lorsqu'il y a de la condensation.

Toute utilisation de cet instrument de manière non spécifiée par ces instructions risque d'affecter la protection de sécurité conférée. Ne pas utiliser l'instrument à l'extérieur des tensions d'alimentation nominales ou de la gamme des conditions ambiantes spécifiées.

### AVERTISSEMENT! CET INSTRUMENT DOIT ETRE RELIE A LA TERRE

Toute interruption du conducteur de terre secteur à l'intérieur ou à l'extérieur de l'instrument rendra l'instrument dangereux. Il est absolument interdit d'effectuer une interruption à dessein. Ne pas utiliser de cordon de prolongation sans conducteur de protection, car ceci annulerait sa capacité de protection.

Lorsque l'instrument est relié au secteur, il est possible que les bornes soient sous tension et par suite, l'ouverture des couvercles ou la dépose de pièces (à l'exception de celles auxquelles on peut accéder manuellement) risque de mettre à découvert des pièces sous tension. Il faut débrancher le cordon secteur de l'appareil avant de l'ouvrir pour effectuer des réglages, remplacements, travaux d'entretien ou de réparations. Les condensateurs qui se trouvent dans le bloc d'alimentation risquent de rester chargés, même si le bloc d'alimentation a été déconnecté de toutes les sources de tension, mais ils se déchargeront en toute sécurité environ 10 minutes après extinction de l'alimentation.

Eviter dans la mesure du possible d'effectuer des réglages, travaux de réparations ou d'entretien lorsque l'instrument ouvert est branché au secteur, mais si c'est absolument nécessaire, seul un technicien compétent au courant des risques encourus doit effectuer ce genre de travaux.

S'il est évident que l'instrument est défectueux, qu'il a été soumis à des dégâts mécaniques, à une humidité excessive ou à une corrosion chimique, la protection de sécurité sera amoindrie et il faut retirer l'appareil, afin qu'il ne soit pas utilisé, et le renvoyer en vue de vérifications et de réparations.

Remplacer les fusibles uniquement par des fusibles d'intensité nominale requise et de type spécifié. Il est interdit d'utiliser des fusibles bricolés et de court-circuiter des porte-fusibles. Eviter de mouiller l'instrument lors de son nettoyage.

Les symboles suivants se trouvent sur l'instrument, ainsi que dans ce manuel.



**Attention : risque de danger.** Veuillez consulter la documentation (ce manuel) pour trouver la nature du danger potentiel et toute action qui doit être prise.



Borne de terre (masse)



alimentation secteur OFF (éteinte)



alimentation secteur ON (allumée)



courant alternatif (c.a.)



courant continu (c.c.)

## Tension d'alimentation sur secteur

Cet appareil possède une entrée universelle et peut être branché sur une prise de courant secteur 115 V ou 230 V sans besoin d'un adaptateur. Vérifiez que les caractéristiques de l'alimentation locale correspondent aux caractéristiques d'entrée secteur données dans le chapitre Spécifications.

## Cordon secteur

Brancher l'appareil sur l'alimentation secteur à l'aide du cordon secteur fourni. S'il s'avère nécessaire d'utiliser une fiche secteur destinée à un autre type de prise murale, employer un cordon secteur correctement dimensionné et homologué en l'équipant de la fiche murale voulue et d'un connecteur IEC60320 C13 du côté de l'appareil. Pour déterminer l'intensité nominale minimale du cordon en fonction de l'alimentation sur secteur prévue, consulter les caractéristiques de puissance nominale figurant sur le matériel ou dans le chapitre Spécifications.

**AVERTISSEMENT ! CET APPAREIL DOIT ÊTRE RELIÉ À LA TERRE.**

Toute interruption du conducteur de terre de la prise secteur à l'intérieur ou à l'extérieur de l'appareil rendra ce dernier dangereux. Il est interdit d'effectuer une coupure intentionnelle.

## Ventilation

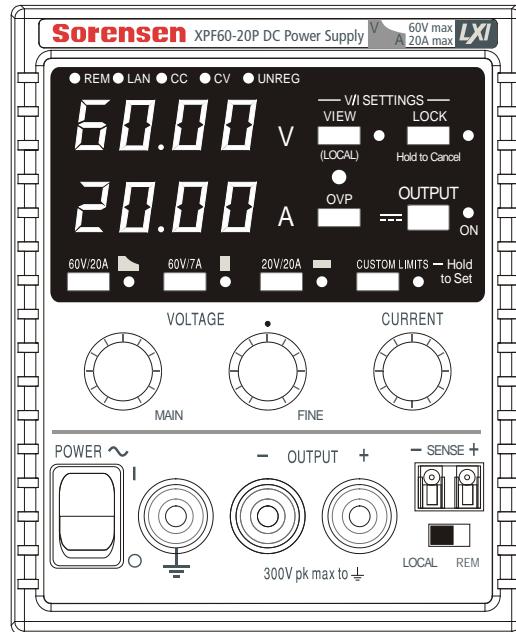
L'alimentation électrique est refroidie par un ventilateur intelligent à vitesses multiples qui ventile à l'arrière. Prendre soin de ne pas limiter les arrivées d'air sur les panneaux supérieurs, inférieurs et latéraux ou la sortie d'air à l'arrière. Dans les situations de montage en baie, laisser un espace adéquat autour de l'appareil et/ou utiliser un bloc ventilateur pour un refroidissement forcé.

## Montage

Cet appareil convient à la fois à l'utilisation sur établi et au montage en baie. Il est livré avec des pieds pour le montage sur établi. Les pieds avant comprennent un mécanisme de basculement pour obtenir l'angle optimal du panneau.

Un kit de montage en baie pour installer une à quatre unités 3U d'une largeur de 4,75 pouces dans une baie de 19 pouces est disponible auprès du fabricant ou de ses agents à l'étranger.

## Connexions du panneau avant



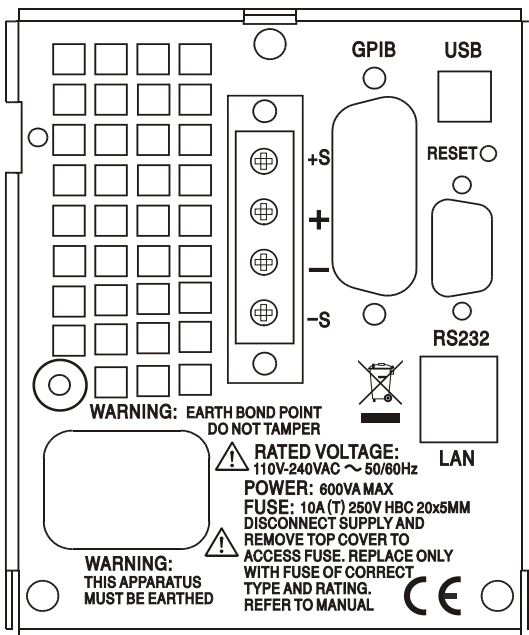
La charge devra être connectée aux bornes positive (rouge) et négative (noire) marquées OUTPUT (sortie). Les bornes de sortie OUTPUT sont calibrées à 30 A.

Les connexions de détection à distance sur la charge, si nécessaire, sont réalisées à partir des bornes positive (+) et négative (-) SENSE (détection). Positionner le commutateur LOCAL/REMOTE sur REMOTE lorsque la fonction de détection à distance est requise.

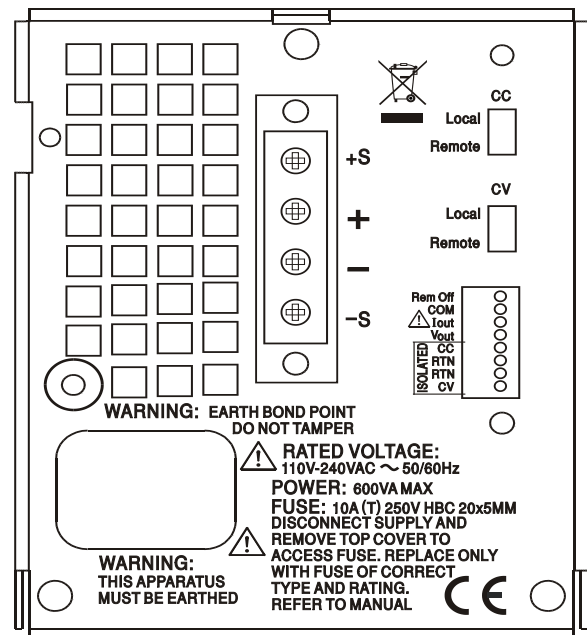
Repositionner le commutateur sur LOCAL lorsque la fonction de détection à distance n'est pas en cours d'utilisation.

La borne marquée  $\perp$  est connectée au châssis ainsi qu'à la masse.

## Connexions du panneau arrière (XPF 60-20P et XPF 60-20A uniquement)



XPF 60-20P



XPF 60-20A

---

## Bornes de sortie

Les bornes de sortie et de détection sont doublées sur les répartiteurs du panneau arrière et sont appelées +O/P, -O/P, +S and -S. Ces connexions sont en parallèle avec leurs équivalents du panneau avant.

Positionner le commutateur LOCAL/REMOTE sur REMOTE lorsque la fonction de détection à distance est requise. Si l'on utilise les bornes de sortie Output du panneau arrière, il est recommandé de toujours sélectionner la détection à distance afin d'assurer que la régulation de sortie reste dans les spécifications. Les connexions peuvent être effectuées sur les bornes de détection à distance à l'avant ou à l'arrière de l'appareil, mais jamais sur les deux paires de bornes en même temps. Repositionner le commutateur sur LOCAL lorsque la fonction de détection à distance n'est pas en cours d'utilisation.

### Commande Analogique à Distance (XPF 60-20A uniquement)

Les connexions CV et CC fournissent une commande analogique de la tension de sortie et de la limite de courant, respectivement, lorsque les commutateurs à glissement CV et CC sont réglés sur Remote. Ces entrées sont isolées de la sortie, tout comme leur signal de retour commun (RTN) ; la cote d'isolation vis-à-vis de la sortie est de 300 V maximum. La plage d'entrée peut être réglée indépendamment par liaisons internes sur 0 à 5 Volts (le défaut d'usine) ou sur 0 à 10 Volts pour une sortie maximale de 0 à 100 %. L'entrée maximale autorisée est de 60 V. CV et CC peuvent être utilisées ensemble ou indépendamment.

Repositionner les commutateurs à glissement CV et CC sur Local lorsque la commande analogique à distance n'est pas en cours d'utilisation.

### Sortie Analogique (XPF 60-20A uniquement)

Les connexions  $V_{OUT}$  et  $I_{OUT}$  fournissent des sorties analogiques respectivement graduées en fonction de la tension de sortie définie et de la limite d'intensité définie. La graduation est fixée sur 0 à 5 Volts pour 0 à 100 % de la sortie maximale.  $V_{OUT}$  et  $I_{OUT}$  sont toujours présentes sur les bornes, que l'appareil soit sous commande locale ou à distance.



**Avertissement ! COM fait référence au circuit de contrôle de la sortie et sera situé dans une marge de 1 V autour du potentiel positif de sortie.  $V_{OUT}$  et  $I_{OUT}$  sont toujours présents sur les bornes.**



Ne pas appliquer de tension extérieure sur ces bornes.

### Commande Marche/Arrêt à Distance (XPF 60-20A uniquement)

La fermeture du commutateur ou un niveau logique bas entre les connexions Rem Off et COMMON éteindra la sortie.



**Avertissement ! COM fait référence au circuit de contrôle de la sortie et sera situé dans une marge de 1 V autour du potentiel positif de sortie.**



Ne pas appliquer de tension extérieure sur ces bornes.

---

## RS232 (XPF 60-20P uniquement)

Connecteur en D femelle à 9 broches dont le brochage est indiqué ci-dessous. Peut être connecté à un port PC standard à l'aide d'un câble 1:1 mâle femelle entièrement câblé sans connexion croisée.

Broche	Nom	Description
1	RI	Assertion passive (+V à travers 10 k $\Omega$ )
2	TXD	Données transmises à partir de l'appareil
3	RXD	Données reçues par l'appareil
4	CTS	
5	GND	Terre de signal
6	RTS	Assertion passive (+V à travers 10 k $\Omega$ )
7	DSR	Aucune connexion interne
8	DTR	
9	CD	Aucune connexion interne

La terre du signal est connectée à la masse de l'appareil.

## USB (XPF 60-20P uniquement)

Le port USB est connecté à la masse de l'appareil. Il est compatible avec le standard USB 2.0 (Full Speed) et accepte les câbles USB standard. La fonction « Plug & Play » de Windows devrait automatiquement reconnaître que l'appareil a été connecté. Si le bon pilote n'est pas détecté, suivez les instructions Windows à l'écran et installez les fichiers requis qui se trouvent sur le CD fourni avec l'appareil.

## LAN (XPF 60-20P uniquement)

L'interface LAN (réseau local) est conçue pour répondre aux critères LXI (Lan eXtensions for Instrumentation) de version 1.2 ; l'appareil est conforme aux critères de Classe C. Il est possible d'utiliser l'interface LAN à distance à l'aide d'un protocole de prise TCP/IP. L'appareil contient également un serveur Web de base qui fournit des informations sur l'appareil et permet de le configurer. Comme il est possible de mal configurer l'interface LAN et ainsi d'empêcher toute communication avec l'appareil sur le réseau local, il existe un mécanisme LAN Configuration Initialise (Configuration et Initialisation du Réseau Local) (LCI) accessible au moyen d'un commutateur encastré dans le panneau arrière (appelé LAN RESET) qui permet de réinitialiser l'appareil afin de retourner aux réglages par défaut d'usine.

Se reporter au chapitre Fonctionnement à distance pour de plus amples informations. Pour de plus amples informations sur les standards LXI, se référer au site [www.lxistandard.org/home](http://www.lxistandard.org/home)

## GPIB (XPF 60-20P uniquement)

Les terres de signal GPIB sont connectées à la masse de l'appareil. Les sous-ensembles mis en œuvre sont les suivants :

SH1 AH1 T6 TE0 L4 LE0 SR1 RL2 PP1 DC1 DT0 C0 E2

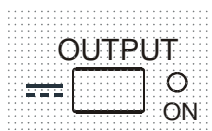
L'adresse GPIB est réglée à partir du panneau avant.

# Fonctionnement manuel

## Mise en marche

L'interrupteur d'alimentation POWER se trouve en bas à gauche du panneau avant.

Lorsque le commutateur POWER est activé, le cadran inférieur affiche brièvement le numéro de version du microprogramme de l'appareil ; sur le XPF 60-20P, celle-ci est suivie par la version du progiciel de l'interface ( **IF** s'affiche sur le cadran supérieur), puis par l'affichage des Volts et Ampères. Si aucune connexion LAN opérationnelle n'est détectée, le voyant LAN au-dessus des cadrans de sortie sur la droite s'allumera également, mais s'éteindra après environ 30 secondes. Voir le paragraphe sur les erreurs LAN dans la section Interface LAN.



Au démarrage, la sortie est désactivée par défaut d'usine. La tension et l'intensité de sortie prédéfinies sont déterminées par les réglages de contrôle actuels et affichés sur l'écran. Le voyant VIEW (VUE) est allumé pour indiquer que ce sont les valeurs actuelles qui sont affichées. Tous les autres réglages resteront les mêmes qu'à la dernière mise hors tension.

L'état de sortie cc lors du démarrage peut être réglé sur "toujours désactivé" ou "pareil qu'à la dernière mise hors tension de l'appareil". Le réglage peut être changé de la façon suivante. Lorsque la touche VIEW est enfoncée, appuyer sur la touche **OUTPUT** et la maintenir enfoncée ; l'affichage indique tout d'abord le réglage actuel pendant 1 seconde (**OP OFF** si le réglage par défaut d'usine est sélectionné) avant de faire clignoter le nouveau réglage pendant 2 secondes (dans le cas présent, **LAST Set (dernier réglage)**). Après 2 secondes, l'affichage montre le nouveau réglage en continu et le changement est appliqué ; relâcher les touches OUTPUT et VIEW. La répétition de cette procédure rétablit le réglage précédent.

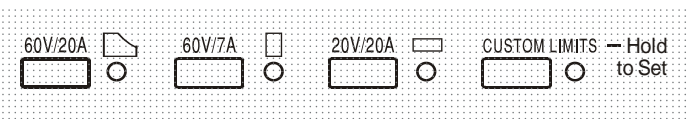
## Régler la sortie

Lorsque le commutateur POWER est activé ( **I** ) et le commutateur OUTPUT est désactivé, les limites de la tension de sortie et de l'intensité peuvent être réglées avec précision à l'aide des commandes VOLTAGE (TENSION) et CURRENT (INTENSITÉ) ; le compteur supérieur affiche la tension réglée et le compteur inférieur affiche l'intensité maximale réglée.

Lorsque le commutateur OUTPUT est activé, le voyant lumineux OUTPUT ON et le voyant lumineux CV (tension constante) s'allument ; le compteur supérieur continue d'afficher la tension réglée, mais le compteur inférieur affiche maintenant l'intensité de charge réelle.

## Sélection de la gamme et des limites ad hoc

Il est possible de sélectionner 4 gammes à l'aide des touches situées directement sous l'écran d'affichage ; les voyants lumineux correspondants s'allument pour indiquer la gamme sélectionnée. Les changements de gammes peuvent affecter la tension de sortie. Pour cette raison, les changements de gammes ne peuvent être effectués que lorsque la sortie est désactivée. Si l'on essaie de changer la gamme lorsque la sortie est activée, le message **turn OFF** s'affiche brièvement sur l'écran et le voyant lumineux de sortie clignote pour inviter l'utilisateur à désactiver la sortie. La gamme sélectionnée par défaut d'usine est 60 V/20 A



Gamme PowerFlex qui limite l'intensité maximale à la tension réglée à celle déterminée par l'enveloppe de puissance ou 20 A, choisissant la valeur la plus faible. Voir le paragraphe Limite de Puissance plus loin dans ce chapitre.

Le fonctionnement normal des gammes 60 V/7 A et 20 V/20 A est tel qu'il est possible d'utiliser la Tension Constante (CV) sur l'ensemble de la gamme de tension, à condition que l'intensité de charge soit inférieure au maximum de la gamme ; l'appareil fonctionne toujours dans la limite de son enveloppe de puissance. Les commandes VOLTAGE (tension) et CURRENT (intensité) sont



---

échelonnées de façon à régler le maximum de la gamme lorsque le bouton est tourné jusqu'à la butée dans le sens des aiguilles d'une montre.

La fonction CUSTOM LIMITS (limites ad hoc) permet à l'utilisateur de redéfinir les valeurs maximales des commandes VOLTAGE et CURRENT afin d'utiliser ces commandes sur des gammes inférieures spécifiques. Cela permet non seulement de protéger l'appareil contre l'application accidentelle de tensions excessives au niveau de la charge, mais fournit également une commande analogue de plus haute résolution sur les gammes spécifiées, grâce à la rotation complète des commandes (300 °).

Pour régler de nouvelles limites ad hoc (CUSTOM LIMITS), désactiver la sortie et sélectionner la gamme 60 V/20 A ; les limites préréglées sont affichées sur l'écran. Utiliser les commandes MAIN et FINE VOLTAGE (tension principale et précision) et la commande CURRENT (intensité) pour régler de façon précise les nouvelles limites ad hoc requises. Appuyer sur la touche CUSTOM LIMITS et la maintenir enfoncée ; les nouvelles limites clignotent sur les écrans pendant environ 2 secondes, après quoi l'écran inférieur (A) affiche **SEt** pour indiquer la sauvegarde des nouvelles limites. Relâcher la touche ; les écrans affichent maintenant les limites V et I préréglées correspondant aux réglages du bouton rotatif dans le cadre des nouvelles gammes définies.

Si les nouvelles limites sont en dehors de l'enveloppe de puissance (voir le paragraphe sur les Limites de puissance ci-dessous), causant, sous certaines conditions de charge, un changement du fonctionnement du mode CV (tension constante) ou CC (intensité constante) à UNREGulated (limite de puissance), le voyant lumineux CUSTOM LIMITS (limites ad hoc) clignote lors de la procédure de réglage et continue de clignoter jusqu'à ce que la touche de gamme soit relâchée. L'illumination permanente du voyant lumineux en cours de réglage signifie que  $V_{MAX} \times I_{MAX} < 420 \text{ W}$  et que l'appareil doit donc généralement rester en mode CV ou CC. CUSTOM LIMITS reste sélectionné jusqu'à ce qu'une autre touche de gamme soit enfoncée. Une pression courte sur la touche permet de resélectionner CUSTOM LIMITS et de rappeler les dernières limites ad hoc réglées.

Lorsque CUSTOM LIMITS est sélectionné, la limite de la commande MAIN VOLTAGE est identique à celle réglée à l'aide de la procédure ci-dessus lorsque la commande FINE est réglée au milieu de sa course, indiquée sur le panneau à l'aide d'un • . La commande FINE en elle-même peut être utilisée afin d'apporter un réglage précis de  $\pm 1 \%$  (du maximum de la gamme).

### **Tension continue**

La tension de sortie est ajustée à l'aide des commandes MAIN et FINE VOLTAGE ; la commande CURRENT définit l'intensité maximum qui peut être fournie.

Le voyant lumineux CV s'allume pour indiquer le fonctionnement en mode tension constante.

### **Intensité constante**

Si la résistance à la charge est suffisamment basse pour qu'à la tension de sortie définie, une intensité supérieure au réglage de limite d'intensité puisse circuler, l'alimentation passe automatiquement en mode intensité constante. La sortie de courant est ajustée à l'aide de la commande CURRENT et les commandes VOLTAGE règlent la tension maximale pouvant être produite.

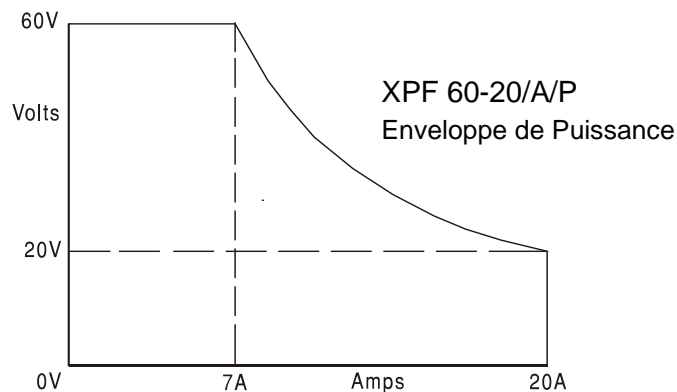
Le voyant lumineux CC s'allume pour indiquer le fonctionnement en mode intensité constante.

### **Sortie d'intensité instantanée**

La commande de limite d'intensité peut être réglée pour limiter l'intensité de sortie continue à des niveaux descendant jusqu'à 10 mA. Cependant, communément à tous les générateurs de précision d'établi, un condensateur est connecté sur la sortie pour conserver la stabilité et une bonne réponse aux défauts transitoires. Ce condensateur se charge sur la tension de sortie et une mise en court-circuit de la sortie produira une impulsion d'intensité à la décharge du condensateur, ce qui ne dépend pas du réglage de limite d'intensité.

## Limite de puissance

Le courant maximal à différents réglages de tension est limité par l'enveloppe de puissance illustrée ci-dessous :



L'enveloppe de puissance est réglée pour donner 60 V/7 A, 42 V/10 A et 20 V/20 A lorsque toutes les conditions d'alimentation sont remplies (les deux sorties sont chargées) ; lorsque les tensions de sortie sont inférieures, l'intensité maximum de 20 A limite la puissance de sortie.

Lorsque la limite de puissance est dépassée, l'indicateur de statut passe de CV ou CC à UNREG. Par exemple, si l'alimentation est réglée sur 20 V et que la limite d'intensité est au maximum et connectée à une charge de 2  $\Omega$ , 10 Amps circulent et l'alimentation passe en mode CV. Lorsqu'on augmente la tension au niveau de la charge, la puissance au niveau de la charge augmente jusqu'à ce qu'elle excède la limite de puissance à environ 29 V et que l'alimentation passe de CV à UNREG.

## Connexion à la charge

La charge devra être connectée aux bornes OUTPUT (sortie) positive (rouge) et négative (noire) du panneau avant. Les deux sont entièrement flottantes et l'une ou l'autre peuvent être connectées à la masse. Sur le modèle XPF 60-20/A/P, il est également possible d'effectuer une connexion au niveau du second set de bornes de sortie du panneau arrière qui peuvent être utilisées lorsque l'appareil fonctionne dans le cadre d'un montage en baie.

Lorsque les bornes de sortie du panneau arrière sont utilisées, il est recommandé de toujours utiliser la détection à distance pour s'assurer que la régulation de la sortie reste dans les spécifications ; voir le chapitre sur la Détection à distance ci-dessous. En cas d'utilisation des bornes de sortie du panneau arrière sans la fonction de détection à distance, il convient de s'assurer que le commutateur du panneau avant est réglé sur LOCAL. L'utilisation de la détection locale dégrade légèrement la fonction de régulation en raison de la petite chute de tension supplémentaire dans le câblage interne des bornes du panneau arrière.

## Détection à distance

L'appareil a une impédance de sortie très faible, mais celle-ci est inévitablement accrue par la résistance des fils de raccordement. À hautes intensités, ceci peut se traduire par des différences significatives entre la tension source indiquée et la tension réelle de la charge (deux fils de raccordement de 5 m $\Omega$  entraîneront une chute de 0,2 V à 20 A, par exemple). Ce problème peut être minimisé en utilisant des fils de raccordement courts et épais, mais lorsque cela s'avère nécessaire, on peut surmonter ce problème complètement en utilisant la fonction de détection à distance.

Ceci nécessite de connecter les bornes de détection à la sortie sur la charge plutôt que sur la source ; insérer les fils dans les bornes à ressort SENSE (détection) et les connecter directement à la charge. Régler le commutateur LOCAL/REMOTE sur REMOTE. Pour éviter toute instabilité et problème de réponse transitoire, il convient de prendre soin de réaliser un bon couplage entre chaque fil de sortie et de détection, en faisant tourner les fils l'un autour de l'autre ou en utilisant

---

un câble coaxialement blindé (détection passant par le conducteur interne). Un condensateur électrolytique placé directement sur le point de connexion de la charge peut également s'avérer avantageux.

La chute de tension dans chaque fil de sortie ne doit pas dépasser 0,5 Volt.

Repositionner le commutateur LOCAL/REMOTE sur LOCAL lorsque la fonction de détection à distance n'est pas en cours d'utilisation.

Si l'on utilise les bornes de sortie du panneau arrière sur le modèle XPF 60-20A/P, il est recommandé de toujours sélectionner la détection à distance afin d'assurer que la régulation de sortie reste dans les spécifications. Les connexions peuvent être effectuées sur les bornes de détection à distance à l'avant ou à l'arrière de l'appareil, mais jamais sur les deux paires de bornes en même temps. Connecter les bornes de détection à la charge en suivant les explications ci-dessus, et régler le commutateur LOCAL/REMOTE sur REMOTE.

## Connexion en série ou en parallèle avec d'autres sorties

La sortie du générateur est entièrement flottante et peut être utilisée en série avec d'autres générateurs pour produire des tensions CC allant jusqu'à 300 V CC.



La tension maximale admissible entre toute borne et la masse ( $\perp$ ) est de 300 V CC.

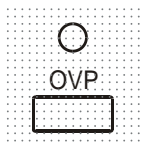
**AVERTISSEMENT !** De telles tensions sont excessivement dangereuses et un grand soin devra être apporté à la protection des bornes pour une telle utilisation. On ne devra en aucun cas toucher les bornes de sortie lorsque le générateur est allumé pour une telle utilisation. Tous les branchements aux bornes doivent être établis avec la totalité des appareils hors tension.

Il convient de noter que le générateur ne peut que produire du courant et non en absorber, ainsi les générateurs ne peuvent être connectés en série en antiphase.

L'appareil peut être connecté en parallèle avec d'autres pour produire des courants plus forts. Lorsque plusieurs appareils sont connectés en parallèle, la tension de sortie sera égale à celle du générateur ayant le plus grand réglage de sortie, jusqu'à ce que le courant consommé dépasse son réglage de limite d'intensité, moment auquel la sortie tombera au réglage le plus élevé suivant, et ainsi de suite. En mode d'intensité constante, les appareils peuvent être connectés en parallèle pour fournir une intensité égale à la somme des réglages de limite d'intensité. Pour un fonctionnement optimal, connecter les circuits d'alimentation et la charge séparément.

Noter que les bornes de sortie sont calibrées sur un maximum de 30 A ; si deux ou plus de sorties sont exploitées en parallèle pour fournir des intensités supérieures à cette dernière, la jonction devra être effectuée en un point séparé, et non sur l'une des bornes.

## Protection



Protection de surtension (OVP) entièrement variable dans la gamme allant de 1 V à 66 V. La limite de protection de surtension est réglée par le biais du potentiomètre de pré-réglage de la protection de surtension, qui peut être ajusté avec un tournevis et accessible dans un trou situé sur le panneau avant immédiatement au-dessus de la touche OVP. En tournant le bouton de réglage dans le sens des aiguilles d'une montre, on accroît la limite, qui s'affiche directement sur l'écran utilisateur lorsqu'on appuie sur la touche OVP en dessous du bouton de réglage. Si la tension de la sortie excède l'OVP réglée pour quelque raison que ce soit, y compris une tension appliquée en externe, la sortie sera désactivée.

La protection contre les surintensités (OCP) est exécutée dans le microprogramme et ne peut être réglée et utilisée que dans le cadre d'un fonctionnement par commande à distance à l'aide d'une interface RS232, USB, LAN (LXI) ou GPIB (XPF 60-20P uniquement). La résolution de réglage est 10 mA et le temps de réponse typique 500 ms. En mode local, et pour le modèle XPF 60-20/A, OCP est toujours activé, mais réglé par défaut sur 22 A.

Lorsque la sortie est coupée, l'écran affiche **OVP trip**, et le voyant lumineux OUTPUT clignote. Désactiver la sortie ; le message de coupure sera remplacé par les valeurs V et I normales pré-réglées. Une fois la cause du déclenchement éliminée, la sortie peut être réactivée.

La charge est connectée à la sortie du circuit d'alimentation même lorsque la sortie n'est pas connectée à la charge. Ne pas appliquer de tensions externes excédant 70 V aux bornes du circuit d'alimentation sous peine de dommages.

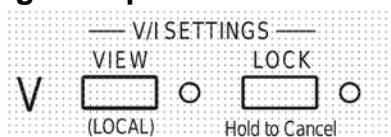
La sortie est protégée des tensions inverses par une diode ; l'intensité continue inverse ne doit pas dépasser 3 A, bien que des défauts transitoires puissent être beaucoup plus élevés.

## Protection contre les dépassements de température

Sur le dissipateur secondaire, un capteur détecte les dépassements de température liés à une obturation du flux d'air, une défaillance du ventilateur ou une autre défaillance d'un circuit. Un dépassement de température désactive la sortie, l'indicateur OUTPUT clignote et l'écran affiche le message **OTp trip**. La sortie reste coupée même après refroidissement du dissipateur.

Lorsque la cause du dépassement de température est éliminée et que le dissipateur a refroidi et est retourné aux températures normales de fonctionnement, la sortie peut être réinitialisée en positionnant le commutateur POWER (alimentation) sur veille (O), puis à nouveau sur marche (I).

## Affichage des paramètres



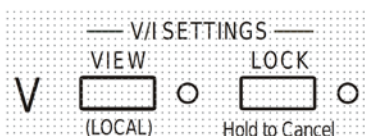
Les limites de tension et d'intensité réglées s'affichent toujours lorsque la sortie est désactivée, mais peuvent également être lues lorsque la sortie est activée en appuyant sur la touche VIEW ; le voyant VIEW s'allume lorsqu'on appuie sur la touche VIEW.

## Verrouillage des paramètres

Appuyer sur la touche LOCK pour verrouiller numériquement la limite de tension et d'intensité définie. Les paramètres sont stockés avec une précision supérieure à 1 chiffre. Les ajustements suivants des commandes VOLTAGE et CURRENT seront sans effet.

Comme l'annulation de LOCK provoque un changement des paramètres de sortie si la position des commandes VOLTAGE et CURRENT a été modifiée, des rappels d'avertissement sont donnés avant l'annulation de LOCK. Appuyer et maintenir la touche enfoncée pour annuler LOCK.

Si la sortie est désactivée (l'état sûr), l'écran fait clignoter les paramètres « non verrouillés » deux fois avant l'application du changement ; l'indicateur LOCK s'éteint.



Si la sortie est encore activée, **OP on** (sortie activée) clignote deux fois sur l'écran, puis les nouveaux réglages "déverrouillés" clignotent pendant 2 ou 3 secondes (doucement, puis plus rapidement) avant de mettre en œuvre la modification ; le voyant LOCK s'éteint lorsque la modification est effectuée.

Le relâchement de la touche LOCK à tout moment pendant que l'écran clignote interrompt l'annulation de LOCK.

Il est interdit d'essayer de sélectionner une gamme différente lorsque LOCK est activé ; si une telle tentative est faite, le message **Unloc** apparaît brièvement et le voyant lumineux LOCK clignote également. Si la sortie est également activée lorsque ces actions sont tentées, le message **turn OFF (éteindre)** apparaît en premier lieu à l'écran (avec le voyant lumineux LOCK qui clignote) suivi du message **Unloc (déverrouillage)** (avec le voyant LOCK qui clignote)

Le statut LOCK à la mise sous tension est identique au statut observé lors de la dernière mise hors tension.

# Commande Analogique à Distance (XPF 60-20A uniquement)

La commande analogique à distance de la tension et de l'intensité de sortie est possible grâce à l'utilisation de tensions de commande externes variables appliquées respectivement entre les entrées CV ou CC et Return (RTN) du panneau arrière. Ces entrées sont isolées de la sortie. La cote d'isolation par rapport à la sortie est de 300 V maximum. Les entrées sont protégées contre toute tension d'entrée excédentaire allant jusqu'à 60 V.

Les tensions de commande de sortie analogique  $V_{out}$  et  $I_{out}$  d'une unité agissant comme « maître » peuvent être utilisées pour contrôler une unité « esclave » par le biais des entrées CV et CC de l'unité esclave, respectivement.

## Commande de tension analogique

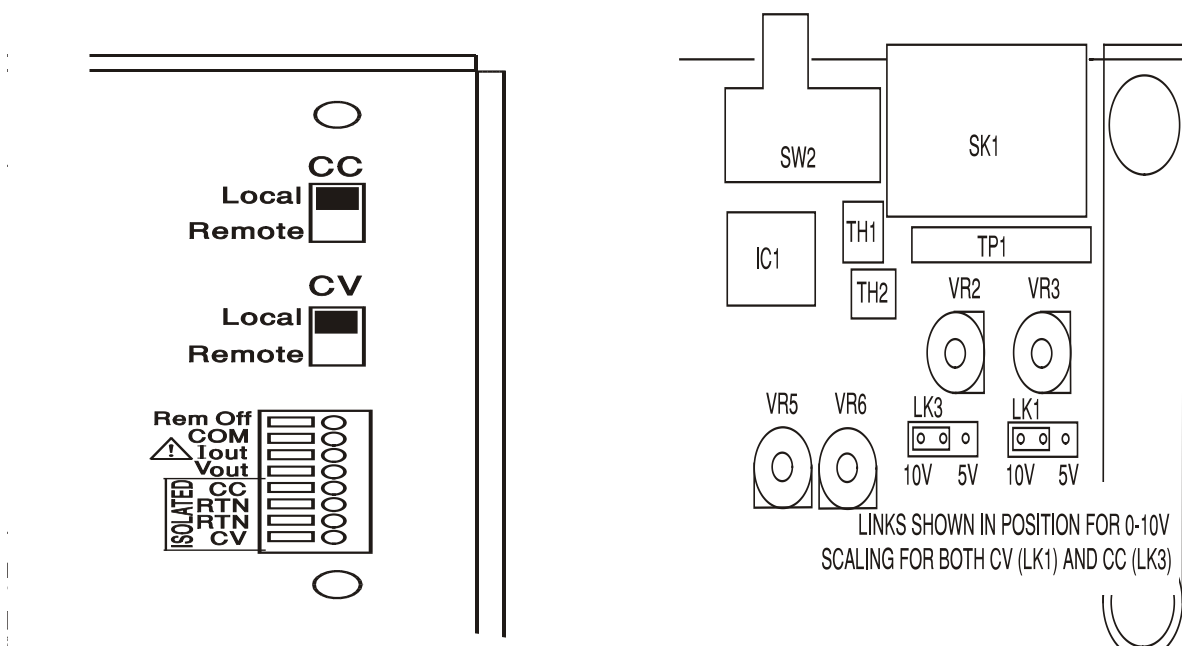
La commande analogique à distance de la tension est obtenue en réglant le commutateur CV du panneau arrière de l'unité à distance (Remote) et en appliquant une tension de programmation entre les entrées CV et RTN.

Les commandes VOLTAGE (TENSION) et de sélection de la gamme de tensions du panneau avant sont désactivées lorsque le commutateur CV est réglé sur Remote (à distance). Régler le commutateur sur Local pour retourner à la commande sur le panneau avant.

La graduation de la tension d'entrée par défaut est de 0 V à 5 V pour une tension de sortie maximale de 0 à 100 %. La graduation de la tension d'entrée peut être modifiée pour s'étendre de 0 V à 10 V en changeant une barrette de court-circuit interne. Déconnecter l'appareil de la source CA et retirer le panneau comme suit. Retirer les deux rivets poussoirs en plastique de chaque côté du panneau supérieur. En plaçant la lame d'un petit tournevis, libérer d'abord la tête du rivet, puis dégager complètement le corps de la fixation. Retirer les trois vis du panneau arrière qui maintiennent le panneau supérieur ; faire glisser le panneau vers l'arrière avant de le soulever pour le retirer.

Se reporter à la vue du dessus de l'appareil illustré sur le schéma pour déplacer la grande barrette de court-circuit en position LK1 vers le centre de la barrette et les broches '10 V' au lieu du centre et des broches '5 V'.

La CV distante peut être utilisée avec le CC Local ou Distant.



## Commande de Courant Analogique

La commande de courant constant analogique à distance est obtenue en réglant le commutateur CC du panneau arrière sur Remote et en appliquant une tension de programmation entre les entrées CC et RTN.

La commande CURRENT du panneau avant et la sélection de la plage d'intensité sont désactivées lorsque le commutateur CC est réglé sur Remote. Régler le commutateur sur Local pour retrouver le contrôle du panneau avant.

La plage de tension d'entrée par défaut est de 0 V à 5 V pour une intensité de sortie maximale de 0 à 100 %. La plage de tension d'entrée peut être modifiée pour s'étendre de 0 V à 10 V en changeant une liaison court-circuitante interne. Déconnecter l'appareil de la source CA et retirer le panneau comme suit.

Retirer les rivets poussoirs en plastique de chaque côté du panneau supérieur. En plaçant la lame d'un petit tournevis, libérer d'abord la tête du rivet, puis dégager complètement le corps de la fixation. Retirer les trois vis du panneau arrière qui maintiennent le panneau supérieur ; faire glisser le panneau vers l'arrière avant de le soulever pour le retirer.

Se reporter à la vue du dessus de l'appareil présentée sur le dessin pour déplacer la grande barrette de court-circuit en position LK3 vers le centre de la barrette et les broches '10 V' au lieu du centre et des broches '5 V'.

Le CC distant peut être utilisé avec une CV locale ou distante.



**AVERTISSEMENT. Ne pas appliquer de tensions de commande externes supérieures au maximum pour la plage d'entrée définie (5 V ou 10 V) au niveau des entrées CV ou CC.** Les entrées sont protégées contre toute tension excessive, mais l'appareil essaiera de fournir une tension ou une intensité de sortie dépassant ses valeurs nominales maximales si la tension de commande dépasse la limite de sa plage, ce qui pourrait provoquer des dégâts.

## Considérations pratiques liées à l'utilisation de CV et de CC

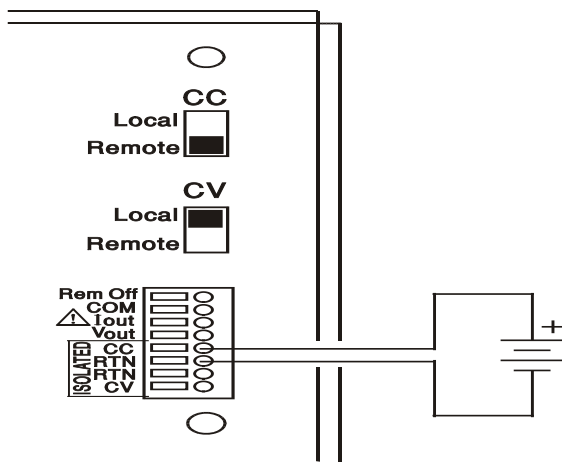
La stabilité des tensions de commande affecte directement la stabilité de la sortie. Tout bruit au niveau des signaux de commande produira du bruit au niveau de la sortie. Pour minimiser le bruit au niveau de la sortie; connecter les tensions de commande sur les entrées CV, CC et RTN à l'aide d'une paire torsadée ou écrantée (l'écran étant relié à la terre

à une seule extrémité) et veiller à ce que les connexions soient les plus courtes possible.

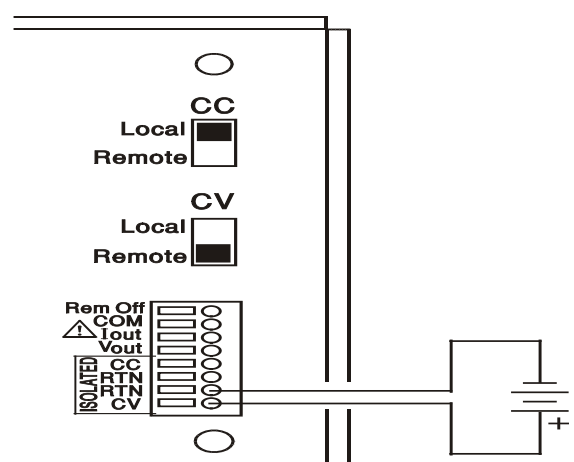
Remarque : le bruit de sortie est par nature légèrement plus élevé lorsqu'on utilise la commande analogique à distance en raison du bruit intrinsèque dans la circuiterie d'entrée isolante. Se reporter aux spécifications techniques.

Les diagrammes ci-dessous présentent les connexions pour la commande de Tension Constante (CV) et de Courant Constant (CC) à l'aide d'une tension externe.

Commande de Tension Constante



Commande de Courant Constant



---

Remarque : lorsqu' OUTPUT est en marche, l'écran d'affichage de l'appareil présente toujours la tension et le courant de sortie réels, quelle que soit la source de commande active. Cependant, lorsqu'OUTPUT est désactivé, l'écran d'affichage présente le réglage de la tension et du courant fourni par les commandes du panneau avant (ou de l'interface numérique si celle-ci est activée) et non les valeurs déterminées par les entrées CV et CC, même si celles-ci ont été activées (CV et CC réglés sur Remote). Pour éviter toute confusion, il convient de régler les commandes du panneau avant au minimum lorsque les commandes CV et CC à distance sont utilisées.

### Tensions de Commande de Sortie Analogique

Les tensions de commande de sortie analogique  $V_{out}$  et  $I_{out}$  sont produites à partir des tensions de commande interne réelles, qui ont pour source active les commandes du panneau avant ou les entrées analogiques à distance CV et CC.  $V_{out}$  et  $I_{out}$  sont graduées de telle sorte que 0 à 100 % de la tension de sortie maximale et de l'intensité produisent 0 V à 5 V sur les bornes  $V_{out}$  et  $I_{out}$  du panneau arrière vis-à-vis de COM.  $I_{out}$  correspond toujours au courant défini, que la sortie soit activée ou non, mais  $V_{out}$  atteint 0 V lorsque la sortie est désactivée.



**Avertissement ! COM fait référence au circuit de contrôle de la sortie et se trouve dans une marge de 1 V autour du potentiel positif de sortie.  $V_{OUT}$  et  $I_{OUT}$  sont toujours présents sur les bornes.**

### Fonctionnement Parallèle dans une Configuration Maître-Esclave

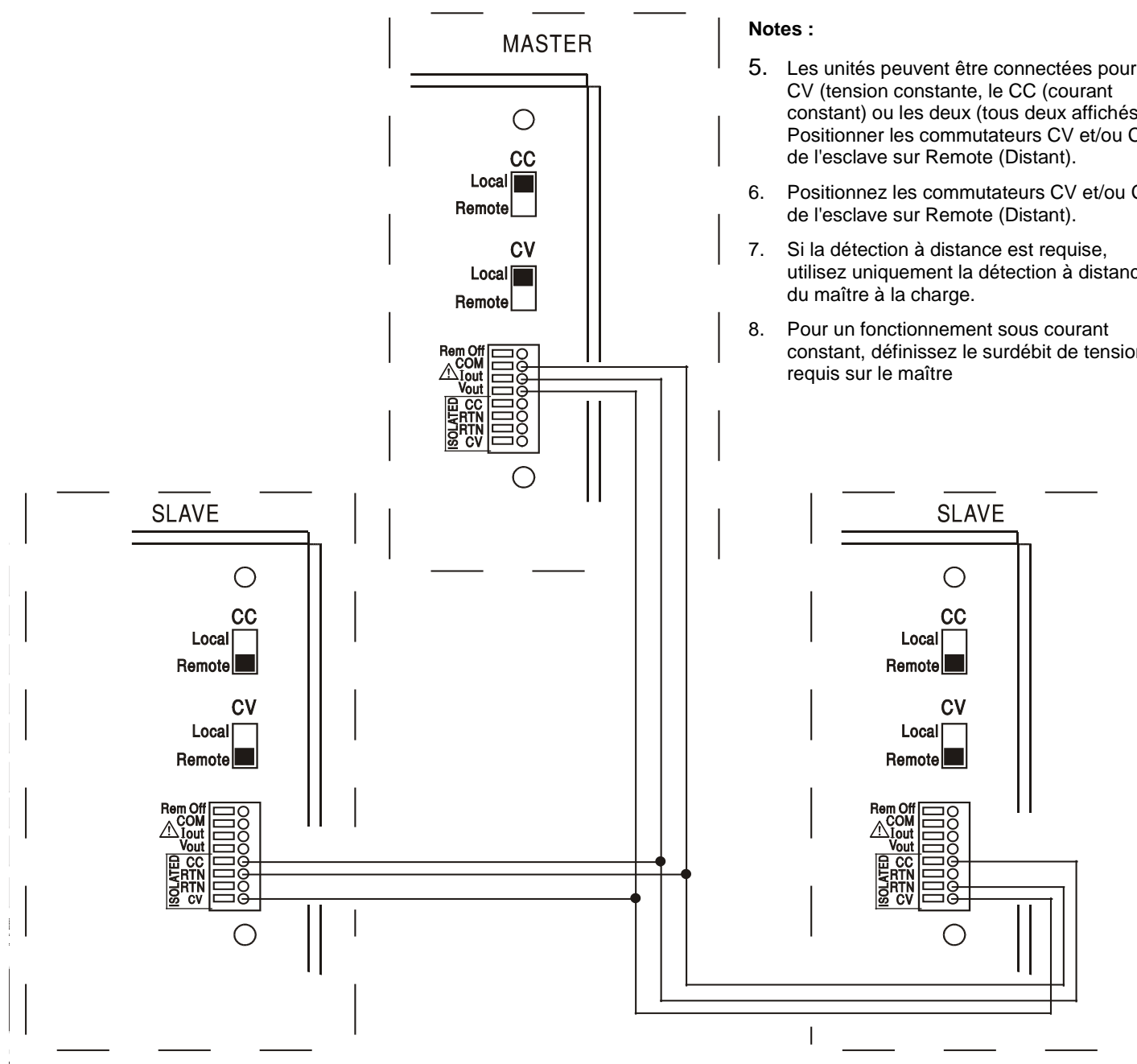
Un fonctionnement parallèle dans une configuration Master-Slave permet la réalisation de courants de sortie supérieurs avec un partage de courant égal entre les unités et la commande de la tension et du courant à partir d'une seule unité. Le schéma présente 3 unités montées en parallèle. Pour un partage de courant égal, chaque unité doit être connectée indépendamment à la charge avec des paires de câbles d'une jauge et d'une longueur égales pour assurer des baisses de tension égales. Connecter  $V_{out}$ ,  $I_{out}$  et COM sur l'unité maître aux entrées CV, CC et RTN des esclaves (régler les commutateurs CV et CC sur Remote) comme indiqué.



## Fonctionnement Parallèle dans une Configuration Maître-Esclave

### Notes :

5. Les unités peuvent être connectées pour la CV (tension constante, le CC (courant constant) ou les deux (tous deux affichés). Positionner les commutateurs CV et/ou CC de l'esclave sur Remote (Distant).
6. Positionnez les commutateurs CV et/ou CC de l'esclave sur Remote (Distant).
7. Si la détection à distance est requise, utilisez uniquement la détection à distance du maître à la charge.
8. Pour un fonctionnement sous courant constant, définissez le surdébit de tension requis sur le maître



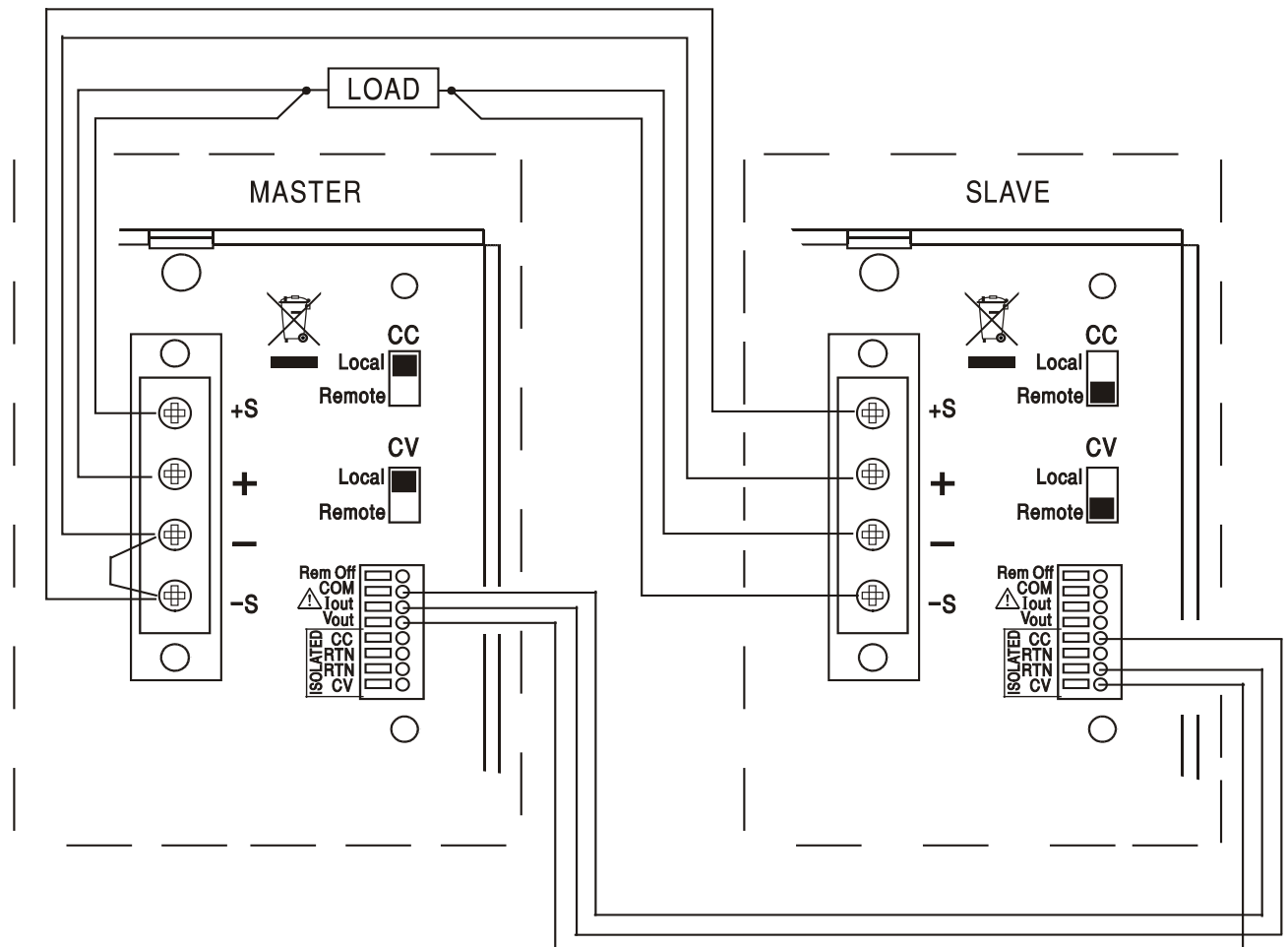
La tension et le courant de l'unité maître peuvent être réglés à l'aide des commandes du panneau avant, de l'interface numérique ou d'une tension externe appliquée à ses propres entrées de contrôle analogiques CV et CC.

En mode « tension constante », la tension sur l'ensemble de la charge est celle réglée sur l'unité maître à l'aide des commandes situées sur son panneau avant, de l'interface numérique ou de l'entrée de commande analogique à distance CV. La limite de courant pour le système (à savoir le courant en mode « courant constant ») est la limite de courant x n réglée sur l'unité maître, où n est le nombre total d'unités connectées en parallèle.



## Fonctionnement Isolé ou en Série dans le Cadre d'une Configuration Maître Esclave

Un fonctionnement isolé ou en série dans le cadre d'une configuration Maître-Esclave permet de suivre les tensions de sortie et les limites de courant à régler pour plusieurs unités à partir d'un seul appareil. Le schéma présente 2 unités montées en série pour l'appariement des variations de tension et des limites de courant. Connecter  $V_{out}$ ,  $I_{out}$  et COM sur l'unité maître aux entrées CV, CC et RTN des esclaves (régler les commutateurs CV et CC sur Remote) comme indiqué.



Le schéma présente les connexions de détection à distance sur la charge ; régler le commutateur de détection du panneau avant sur Remote. S'il n'est pas nécessaire d'avoir recours à la détection à distance, ne pas utiliser les câbles de détection et régler le commutateur de détection sur Local.

Si des limites de courant indépendantes sont requises, régler CC sur Local et régler les limites à partir du panneau avant de chaque unité.



**Avertissement !** Lors de tout fonctionnement en série, prendre soin de ne pas dépasser la tension nominale de fonctionnement (300 V) de toute borne par rapport à la masse ( $\perp$ ).

### Désactivation à Distance

La fermeture d'un commutateur ou d'un niveau logique bas entre les entrées Rem Off et COM du panneau arrière désactivera la sortie à distance si elle était auparavant activée ; le voyant OUTPUT du panneau avant s'éteindra également. L'ouverture du commutateur entre Rem Off et COM activera à nouveau la sortie.



**Avertissement !** COM fait référence au circuit de contrôle de la sortie et se trouve dans une marge de 1 V autour du potentiel positif de sortie.

---

## Fonctionnement de l'interface de commande à distance (XPF 60-20P uniquement)

Il est possible de commander l'appareil à distance par le biais des interfaces RS232, USB, LAN ou GPIB.

La télécommande USB fonctionne de la même manière que pour l'utilisation d'une interface RS232, mais par l'intermédiaire du connecteur USB. Le logiciel fourni avec l'appareil configure l'ordinateur de contrôle pour traiter la connexion USB comme un port COM virtuel. Le logiciel d'application de l'ordinateur peut ensuite communiquer avec l'appareil via le port COM.

L'interface LAN (réseau local) est conçue pour répondre aux critères LXI (Lan eXtensions for Instrumentation) de version 1.2 ; l'appareil est conforme aux critères de Classe C. Il est possible d'utiliser l'interface LAN à distance grâce au protocole de prises TCP/IP. L'appareil comprend également un serveur Web de base qui fournit des informations sur l'appareil et permet de le configurer à partir d'un logiciel de navigation Web. Il est également possible de contrôler une ligne de commande simple à partir du logiciel de navigation.

Par défaut, toutes les interfaces sont sous tension en permanence (il s'agit d'une exigence LXI), mais l'accès aux interfaces individuelles peut être restreint à l'aide des options de configuration sur les pages Web.

### Verrouillage de l'interface

Toutes les interfaces sont actives en permanence ; cela élimine la nécessité de sélectionner l'interface active et représente également une exigence de LXI. Afin de réduire le risque que l'instrument soit sous le contrôle de deux interfaces en même temps par inadvertance, un simple mécanisme de verrouillage et de déverrouillage est fourni dans le jeu d'instructions. Le verrou est automatiquement débloqué lorsqu'il est possible de détecter une déconnexion et lorsque le bouton local est enfoncé. L'accès aux interfaces peut également être restreint à l'aide des pages Web.

Toute interface peut requérir le contrôle exclusif de l'appareil en envoyant une commande « IFLOCK ». Le verrou ne peut être débloqué qu'en envoyant une commande « IFUNLOCK » à partir de la session d'interface qui contrôle actuellement le verrou et peut être interrogée à partir de n'importe quelle interface par l'envoi d'une commande « IFLOCK? ». La réponse à l'une de ces commandes sera "-1" si le verrou est détenu par une autre instance d'interface, "0" si l'interface est libre et "1" si le verrou est détenu par l'instance d'interface effectuant la requête. L'envoi de toute commande depuis une interface sans droits de commande qui tente de modifier le statut de l'instrument définit un bit 4 du Event Status Register Standard et place 200 dans le Execution Error Register pour indiquer que les droits sont insuffisants pour l'action requise.

**Remarque** : il est également possible de configurer les droits d'une interface spécifique soit en « lecture seule » soit en « pas d'accès » à partir de l'interface de la page Web.

### Sélection d'adresse

La fonction adresse de l'appareil est requise uniquement par l'interface GPIB. Cependant, il est possible d'utiliser la commande ADDRESS? sur toutes les interfaces pour identifier facilement l'appareil contrôlé par un port COM (pour la connexion RS232 ou USB) ou une prise TCP (pour le LAN) spécifique. Remarque : l'interface LAN dispose également d'une fonction « Identifier » séparée, accessible à partir des pages Web de l'appareil qui fait clignoter l'écran d'affichage de l'appareil jusqu'à l'annulation de la fonction.

L'adresse est réglée à partir du panneau avant de l'appareil comme suit. Commencer avec l'appareil hors tension, maintenir les touches VIEW et LOCK enfoncées, puis mettre l'appareil sous tension. L'écran affiche **Addr** dans l'affiche des volts et **nn** dans l'affichage des ampères, où **nn** est le paramètre actuel (par défaut **Addr 11**). L'adresse peut être décrémentée et incrémentée avec les touches VIEW et LOCK respectivement dans la plage allant de 1 à 31 inclus (pas 0), avec 'wrap-round' (mettre à cheval). L'adresse est confirmée et le processus terminé en maintenant la touche Lock enfoncée. L'écran affiche **SET** et la nouvelle adresse pendant environ 2 secondes, puis retourne à l'affichage normal des volts et des ampères une fois que la nouvelle adresse a été acceptée.

L'adresse peut également être définie depuis les pages Web de l'appareil.

## Fonctionnement à distance ou local

À la mise en marche, l'appareil est en fonctionnement local et le voyant REMote est éteint. Dans cet état, toutes les opérations sont possibles à partir du panneau avant. Lorsque l'appareil est adressé comme écouteur et qu'il reçoit une commande, il passe en fonctionnement à distance et le voyant REMote s'allume. Dans cet état, le panneau avant est verrouillé et seules les commandes à distance sont prises en compte. Les paramétrages V/I et les états de sortie demeurent inchangés, mais LOCK est désactivé (s'il était activé) et le réglage de gamme retourne par défaut sur 60 V/20 A. Les paramètres Sense restent tels que définis à l'aide des commutateurs du panneau avant.

Il est possible de refaire passer l'appareil à l'état local en appuyant sur la touche LOCAL ; toutefois, l'effet de cette action subsistera uniquement jusqu'à ce que l'appareil soit ré adressé ou qu'il reçoive un autre caractère de l'interface ; à ce moment, il sera possible de repasser à nouveau à l'état de fonctionnement à distance. Revenir à l'état Local par cette action, ou par l'utilisation de la commande LOCAL, conserve les paramètres V/I aux dernières valeurs définies à distance, avec LOCK (verrou) activé, et laisse la sortie dans son état actuel.

## Interface RS232

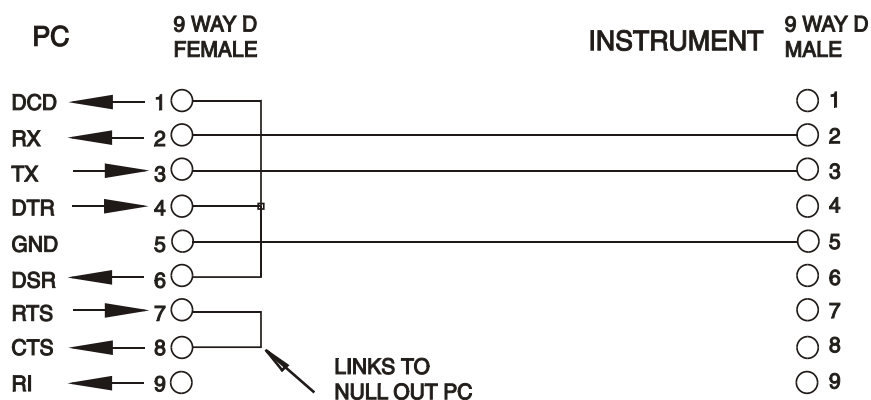
### Connecteur d'interface RS232

Le connecteur d'interface série type D 9 voies se trouve sur le panneau arrière de l'appareil. Son brochage est indiqué ci-dessous :

Broche	Nom	Description
1	RI	Assertion passive (+V à travers 10 k $\Omega$ )
2	TXD	Données transmises à partir de l'appareil
3	RXD	Données reçues par l'appareil
4	CTS	
5	GND	Terre de signal
6	RTS	Assertion passive (+V à travers 10 k $\Omega$ )
7	DSR	Aucune connexion interne
8	DTR	
9	CD	Aucune connexion interne

### Connexions RS232

L'interface RS232 doit être connectée à un port PC standard à l'aide d'un câble 1:1 mâle femelle entièrement câblé sans connexion croisée. Il est également possible de connecter uniquement les broches 2, 3 et 5 au PC, mais avec des liaisons dans le connecteur côté PC entre les broches 1, 4 et 6 et entre les broches 7 et 8, se reporter au schéma.



---

Le Débit de Baud pour cet instrument est fixé à 9 600 ; les autres paramètres sont fixés comme suit :

Bits de départ : 1

Parité : Aucune

Bits de données : 8

Bits d'arrêt : 1

### **Jeu de caractères RS232**

En raison de la nécessité d'un protocole XON/XOFF, il n'est possible de transmettre que des données en code ASCII ; les blocs binaires ne sont pas admis. Le bit 7 des codes ASCII est ignoré, c'est-à-dire qu'il est supposé bas. Aucune distinction n'est faite entre les majuscules et les minuscules pour les mnémoniques de commande et on peut les mélanger librement. Les codes ASCII inférieurs à 20H (espace) ne sont pas utilisés. Dans ce manuel, 20H signifie 20 en hexadécimal. L'unité envoie XOFF lorsqu'il y a 50 bits libres restants et XON lorsque celui-ci augmente à 100 bits.

### **Interface USB**

L'interface USB est un port COM virtuel pouvant être contrôlé à partir d'un PC comme s'il s'agissait d'un appareil RS232. L'appareil est fourni avec un CD contenant un fichier .inf pour les pilotes Microsoft standard disponibles sous Windows 2000, XP, Vista and Windows 7 ; le logiciel d'aide à l'installation installe le lecteur (32-bit ou 64-bit) approprié en fonction du système d'exploitation du PC. Toutes les mises à jour sont disponibles via le site Internet de TTI, [www.tti-test.com](http://www.tti-test.com).

L'installation du pilote d'interface s'effectue en connectant l'appareil à un PC via un câble USB standard. Les fonctions 'Plug & Play' de Windows doivent automatiquement reconnaître l'ajout d'un nouveau matériel sur l'interface USB et si c'est la première fois que la connexion est établie, elles demanderont l'emplacement d'un pilote convenable. À condition que les invites standard de Windows soient correctement suivies, Windows installera le pilote approprié et établira un port COM virtuel dans le PC. Le numéro du nouveau port COM dépendra du nombre de ports COM coexistants dans le PC. Le port COM virtuel peut être piloté par les applications Windows exactement de la même manière qu'un port standard, sauf que le réglage de la vitesse de transmission du port COM virtuel est ignoré.

Le pilote restera installé sur le PC de façon à ce que l'établissement d'un port COM virtuel soit effectué automatiquement chaque fois que l'appareil sera connecté au PC via l'USB à l'avenir.

Des ports COM supplémentaires sont créés pour chaque appareil supplémentaire connecté au PC via l'USB. Chaque appareil reçoit un port COM virtuel différent la première fois qu'il est connecté et ce même port COM sera utilisé chaque fois qu'un appareil est reconnecté ; le logiciel PC utilise le code unique intégré dans chaque appareil pour le lier au même port COM virtuel, quel que soit le port USB utilisé.

La commande ADDRESS? peut également être utilisée pour repérer facilement quel appareil est contrôlé par un port COM spécifique. Bien que la capacité d'adressage soit ignorée dans le mode de fonctionnement USB, l'adresse peut toujours être réglée et utilisée comme un identificateur ; régler chaque appareil connecté via l'USB avec une adresse différente et envoyer la commande ADDRESS? pour chaque port COM virtuel afin de confirmer quel appareil est connecté à ce port.

### **Interface LAN**

L'interface LAN est conçue conformément au standard LXI version 1.2 et contient les interfaces et protocoles décrits ci-dessous. Comme il est possible de mal configurer l'interface LAN et ainsi d'empêcher toute communication avec l'appareil sur le réseau local, il existe un mécanisme LAN Configuration Initialise (Configuration et Initialisation du Réseau Local) (LCI) accessible au moyen d'un commutateur encastré dans le panneau arrière qui permet de réinitialiser l'appareil afin de retourner aux réglages par défaut d'usine. Par défaut, l'appareil essaie d'obtenir les réglages via le DHCP s'il est disponible ou, si le délai d'attente du DHCP expire (30 secondes), via l'Auto-IP. Dans le cas improbable où aucune adresse Auto-IP n'est trouvée, une adresse IP statique de 192.168.0.100 est assignée. La réinitialisation du LAN supprime toute protection par mot de passe.

Pour de plus amples informations sur les standards LXI, se référer au site [www.lxistandard.org/home](http://www.lxistandard.org/home).

---

## Connexion LAN

Pour utiliser l'interface LAN, il est nécessaire de connaître l'adresse IP de l'appareil. Le CD-ROM fourni contient un outil de découverte LXI Discovery Tool qui peut être utilisé pour afficher les adresses IP (et autres informations associées) de tous les appareils connectés conformes au protocole de découverte VXI-11. Cet outil est une application pour PC fonctionnant sur Windows qui doit être installée et exécutée sur le PC de commande lorsque l'appareil est connecté directement sur la connexion réseau du PC ou via un routeur. Il est recommandé de connecter l'appareil par le biais d'un routeur, car l'adresse IP est ainsi assignée plus rapidement. Si l'appareil est connecté directement sur le PC, l'assignation de l'adresse IP ne commencera qu'après un délai d'expiration du DHCP de 30 secondes. Lorsque l'on double clique sur l'une des entrées de la liste des appareils découverts, le logiciel de navigation Web du PC s'ouvre et affiche la page d'accueil de cet appareil.

Des outils de découverte LAN sont également inclus dans le progiciel National Instruments Measurement and Automation Explorer et l'application Agilent Vee.

Dès qu'elle est mise sous tension, l'unité tente d'obtenir les paramètres via le DHCP s'il est disponible ou, si le délai d'attente du DHCP est dépassé (30 secondes), via l'Auto-IP. Dans le cas improbable où aucune adresse Auto-IP n'est trouvée, une adresse IP statique de 192.168.0.100 est assignée. Pendant ce temps, le voyant LAN s'allume et reste allumé si une connexion LAN est établie. Cependant, si la connexion n'est toujours pas établie à la fin du processus ci-dessus, ou si le connecteur LAN est retiré manuellement à tout moment, le voyant LAN s'éteint ; se reporter au chapitre Erreur LAN pour plus de détails.

## Serveur Web ; Protection de la configuration par mot de passe

L'appareil contient un serveur Web de base. Celui-ci fournit des informations sur l'appareil et permet de le configurer. La page de configuration peut être protégée par mot de passe afin de limiter les changements non autorisés de configuration de la commande à distance ; la page est configurée par défaut sur « pas de mot de passe ».

La page de configuration contient les explications nécessaires pour régler le mot de passe. Le mot de passe peut faire jusqu'à 15 caractères ; noter que le **Nom d'utilisateur ne doit pas être saisi**. Cependant, si le commutateur LAN RESET du panneau arrière est utilisé pour réinitialiser les paramètres LAN à leur réglage par défaut d'usine, le mot de passe est réinitialisé à l'option par défaut (pas de mot de passe).

Les pages Web ont également une fonction « Identifier » qui permet à l'utilisateur d'envoyer une commande identifiant l'appareil. Cette fonction fait clignoter les écrans d'affichage jusqu'à l'annulation de la commande.

## Serveur ICMP Ping

L'appareil contient un serveur ICMP permettant d'effectuer une recherche de paquets Internet sur l'appareil grâce à son nom d'hôte ou son adresse IP.

## Protocole de découverte VXI-11

Le support VXI-11 de l'appareil est très limité, suffisant pour le protocole de découverte, mais aucune autre fonction.

L'appareil utilise un scanner de port Sun RPC sur le port TCP 111 et le port UDP 111 tel que défini en RPC1183. Les appels pris en charge sont : NULL (nul), GET PORT (obtenir port) et DUMP (vidage).

Sur le port TCP 1024, un protocole VXI-11 très simple est exécuté de façon suffisante seulement pour la découverte d'appareils. Celui-ci exécute les appels suivants : CREATE LINK (créer lien), DEVICE\_WRITE (appareil\_écrire), DEVICE\_READ (appareil\_lire) et DESTROY\_LINK (détruire\_lien).

---

Lorsqu'un lien a été créé, toute donnée écrite sur l'appareil est ignorée et toute lecture de l'appareil renvoie la chaîne d'identification comme attendu d'une commande "\*IDN?" du formulaire.

*'Fabricant,Modèle,No. de Série,X.xx – Y.yy'*

*par exemple*

*SORENSEN, XPF 60-20P, 279730, 1.00 – 1.00*

où 'X.xx' est la version du microprogramme principal et 'Y.yy' la version du microprogramme de l'interface. Le microprogramme de l'interface est un champ utilisateur qui peut être mis à jour par le biais du port USB.

## **Nom de ressource VISA**

Compte tenu du support limité de VXI-11 (protocole de découverte uniquement), l'appareil doit être identifié par les données brutes de la prise lorsqu'il est utilisé avec des logiciels communiquant par le biais d'un nom de ressource VISA. Par exemple, un appareil dont l'adresse IP est 192.168.1.100 dispose normalement d'un nom de ressource VISA "TCPIP0::192.168.1.100::inst0::INSTR", mais pour cet instrument, le nom doit être modifié tel qu'il suit : "TCPIP0::192.168.1.100::9221::SOCKET". 9221 est le port TCP utilisé pour commander et contrôler l'appareil, voir ci-dessous.

## **URL du document d'identification XML**

En conformité avec la norme LXI, l'appareil fournit un document d'identification XML qui peut être interrogé au moyen d'une commande GET (obtenir) sur "http://<hostname>:80/lxi/identification" compatible avec les normes du Schéma XSD LXI (disponible sur <http://www.lxistandard.org/InstrumentIdentification/1.0>) et du Schéma W3C XML (<http://www.w3.org/XML/Schema>). Ce document décrit l'appareil.

## **Prises TCP**

L'appareil utilise 2 prises sur le port TCP 9221 pour commander et contrôler l'appareil. Les commandes textuelles sont envoyées sur ce port comme défini au chapitre « Commandes à distance » et toute réponse est renvoyée par le même port. Toute chaîne doit être composée d'une ou plusieurs commandes complètes. Les commandes peuvent être séparées par des points-virgules « ; » ou des sauts de ligne. Aucune terminaison n'est nécessaire, car le cadre TCP contient les commandes complètes, bien que les commandes puissent être envoyées avec une terminaison si on le souhaite (celle-ci sera ignorée). Chaque commande sur TCP se comporte comme si elle se terminait par une terminaison de commande (caractère ASCII 0AH, saut de ligne).

## **Erreur LAN**

Si une connexion LAN est effectuée, mais qu'une erreur est détectée (par exemple, l'adresse IP est la même que celle d'un autre appareil du réseau) alors, le voyant LAN de l'instrument (au-dessus des compteurs Output 2) s'éteint jusqu'à ce que l'erreur soit corrigée. Si une erreur LAN se produit ; vérifier et corriger la configuration de l'instrument ; un mécanisme LAN Configuration Initialise (LCI) (Initialisation de la Configuration LAN) est fourni via un commutateur encastré sur le panneau arrière (marqué LAN RESET (RÉINITIALISATION LAN)) afin de réinitialiser l'unité sur le paramétrage d'usine par défaut. Par défaut, l'appareil essaie d'obtenir les réglages via le DHCP s'il est disponible ou, si le délai d'attente du DHCP expire (30 secondes), via l'Auto-IP. Dans le cas improbable où aucune adresse Auto-IP n'est trouvée, une adresse IP statique de 192.168.0.100 est assignée.

Si à aucun moment le système ne trouve de connexion physique LAN, le voyant LAN s'éteint.

## **Interface GPIB**

Le connecteur 24 voies de l'interface GPIB se trouve sur le panneau arrière de l'appareil. Les connexions des broches sont conformes à la norme IEEE 488.1-1987 et l'appareil est conforme aux normes IEEE 488.1-1987 et IEEE 488.2-1987.

---

## Sous-ensembles GPIB

Cet instrument contient les sous-ensembles IEEE 488.1 suivants :

Source Handshake (établissement de liaison avec l'émission)	SH1
Acceptor Handshake (acceptation de liaison)	AH1
Talker (émetteur)	T6
Listener (récepteur)	L4
Service Request (demande de service)	SR1
Remote Local (à distance local)	RL2
Parallel Poll (scrutation parallèle)	PP1
Device Clear (initialisation dispositif)	DC1
Device Trigger (déclenchement dispositif)	DT0
Controller (contrôleur)	C0
Electrical Interface (interface électrique)	E2

## Traitement des erreurs GPIB norme IEEE 488.2 – registre d'erreur d'interrogation

L'erreur IEEE 488.2 UNTERMINATED (erreur non terminée IEEE 488.2) (mode d'émission, mais rien à émettre) est traitée de la manière suivante. Si l'instrument est en mode d'émission, que le formateur de réponse est inactif et que la file d'attente d'entrée est vide, l'erreur UNTERMINATED est générée. Ceci entraîne le positionnement du bit Query Error (erreur d'interrogation) dans le Standard Event Status Register (registre d'état d'évènement standard), une valeur de 2 dans le Query Error Register (registre d'erreur d'interrogation) et la réinitialisation de l'analyseur syntaxique. Voir le chapitre Rapport d'état pour plus d'informations à ce sujet.

L'erreur IEEE 488.2 INTERRUPTED (erreur interrompue IEEE 488.2) est traitée de la manière suivante. Si le formateur de réponse attend de transmettre un message de réponse et qu'un <PROGRAM MESSAGE TERMINATOR> (terminaison de message de programme) a été lu par l'analyseur syntaxique ou que la file d'attente d'entrée contient plus d'un message END (fin), ceci indique que l'appareil a été INTERRUPTED (interrompu) et qu'une erreur est générée. Ceci entraîne le positionnement du bit Query Error (erreur d'interrogation) dans le Standard Event Status Register (registre d'état d'évènement standard), une valeur de 1 dans le Query Error Register (registre d'erreur d'interrogation) et la réinitialisation de l'analyseur syntaxique. L'analyseur syntaxique commence alors à analyser le <PROGRAM MESSAGE UNIT> (unité de message de programme) suivant de la file d'attente d'entrée. Voir le chapitre Rapport d'état pour plus d'informations à ce sujet.

L'erreur IEEE 488.2 DEADLOCK (erreur de blocage fatal IEEE 488.2) est traitée de la manière suivante. Si le formateur de réponse attend de transmettre un message de réponse et que la file d'entrée devient pleine, l'appareil passe à l'état DEADLOCK (blocage fatal) et une erreur est générée. Ceci entraîne le positionnement du bit Query Error (erreur d'interrogation) dans le Standard Event Status Register (registre d'état d'évènement standard), une valeur de 2 dans le Query Error Register (registre d'erreur d'interrogation) et la réinitialisation de l'analyseur syntaxique. L'analyseur syntaxique commence alors à analyser le <PROGRAM MESSAGE UNIT> (unité de message de programme) suivant de la file d'attente d'entrée. Voir le chapitre Rapport d'état pour plus d'informations à ce sujet.

## Scrutation parallèle GPIB

Ce générateur dispose de capacités complètes de scrutation parallèle. Le Parallel Poll Enable Register (registre d'activation de scrutation parallèle) est réglé pour spécifier les bits du Status Byte Register (registre d'octets d'état) qui doivent être utilisés pour constituer le message local ist. Le Parallel Poll Enable Register est réglé par la commande \*PRE <nrf>, puis lu par la commande \*PRE?. La valeur du Parallel Poll Enable Register est connectée en montage ET avec le Status Byte Register ; si le résultat est zéro, la valeur de ist est 0, sinon la valeur de ist est 1.

Il faut également configurer l'appareil afin que la valeur de *ist* puisse être renvoyée au contrôleur lors d'une opération de scrutation parallèle. L'appareil est configuré par le contrôleur qui transmet une commande Parallel Poll Configure (PPC) (configuration scrutation parallèle) suivie d'une commande Parallel Poll Enable (PPE) (activation scrutation parallèle). Les bits de la commande PPE sont indiqués ci-dessous :

bit 7 =	X	sans effet
bit 6 =	1	Validité scrutation parallèle
bit 5 =	1	
bit 4 =	0	
bit 3 =	Détection	détection du bit de réponse ; 0 = bas, 1 = haut
bit 2 =	?	position de bit de la réponse
bit 1 =	?	
bit 0 =	?	

*Exemple.* Pour renvoyer le bit RQS (bit 6 du Status Byte Register) au niveau 1 à l'état vrai et au niveau 0 à l'état faux à la position de bit 1 en réponse à une scrutation parallèle, transmettre les commandes suivantes :

\*PRE 64<pmt>, puis PPC suivi de 69H (PPE)

La réponse de scrutation parallèle de l'appareil sera alors 00H si RQS est 0 et 01H si RQS est 1

Pendant la réponse de scrutation parallèle, les lignes d'interface DIO sont terminées de manière résistive (terminaison passive). Ceci permet à plusieurs dispositifs de partager la même position de bit de réponse en configuration de câblage en ET ou OU, voir IEEE 488.1 pour de plus amples informations.

## Rapport d'état

Un modèle d'erreur et de statut séparé est entretenu pour chaque session d'interface ; une session d'interface est définie comme une connexion potentielle. USB et GPIB sont par définition des connexions individuelles et représentent donc une session d'interface chacune. Cependant, le LAN permet de connecter plusieurs appareils simultanément et représente donc des instances multiples d'interface. Deux instances d'interfaces sont associées aux deux interfaces de prises TCP et une instance supplémentaire est associée à l'interface de page Web. Un modèle séparé pour chaque instance d'interface évite de perdre des données ; en effet, de nombreuses commandes, par ex. '\*ESR?' vident les données à leur lecture.

Le statut d'erreur est entretenu à l'aide d'une série de registres, ceux-ci sont décrits dans les paragraphes suivants et présentés sur le Modèle de Statut à la fin de ce chapitre.

### Registres d'état d'événement standard et d'activation d'état d'événement standard

Ces deux registres sont mis en œuvre comme exigée par la norme IEEE 488.2.

Tous les bits définis dans le Standard Event Status Register qui correspondent aux bits positionnés dans le Standard Event Status Enable Register entraîneront le positionnement du bit ESB dans le Status Byte Register.

Le Standard Event Status Register est lu, puis vidé par la commande '\*ESR?'. Le Standard Event Status Enable Register est réglé par la commande '\*ESE <nrf>' et lu par la commande '\*ESE?'.  
Il s'agit d'un champ de bit dans lequel chaque bit à un sens particulier.

Bit 7: Mise sous tension. Réglé lors de la première mise sous tension de l'appareil.

Bit 6: Requête Utilisateur (Non utilisé).

Bit 5: Erreur de commande. Réglé lorsqu'une erreur de type syntaxique est détectée dans une commande provenant du bus. L'analyseur syntaxique est réinitialisé et l'analyse continue à l'octet suivant du flux d'entrée.



- Bit 4: Erreur d'exécution. Réglé en cas d'erreur lors d'une tentative d'exécution d'une commande entièrement analysée. Le numéro d'erreur approprié est signalé dans l'Execution Error Register (registre d'erreur d'exécution). Voir le chapitre Messages d'erreur
- Bit 3: Erreur Verify Timeout (expiration de vérification). Réglé quand un paramètre est programmé avec 'vérifier' spécifié et que la valeur n'est pas atteinte dans les 5 secondes, par ex. la tension de sortie est abaissée par un grand condensateur placé sur la sortie.
- Bit 2: Erreur d'interrogation. Réglé en cas d'interrogation. Le numéro d'erreur approprié sera signalé dans le Query Error Register (registre d'erreur d'interrogation) ; voir le chapitre Query Error Register.
- Bit 1: Non utilisé.
- Bit 0: Opération terminée : Réglé en réponse à la commande \*OPC.

## Registre d'erreur d'exécution

Ce registre contient un numéro représentant la dernière erreur rencontrée sur l'interface actuelle. L'Execution Error Register est lu, puis vidé par la commande 'EER?'. Au démarrage, ce registre est réglé sur 0 pour toutes les instances d'interface.

Les messages d'erreur ont la signification suivante :

- 0: Aucune erreur rencontrée
- 1-9: Erreur matérielle interne détectée.
- 100: Erreur de gamme. La valeur numérique envoyée n'est pas autorisée. Ceci inclut les nombres qui sont trop grands ou trop petits pour le paramètre en cours de réglage et les nombres décimaux envoyés lorsque seuls les chiffres entiers sont autorisés.
- 101: Un rappel de données de configuration a été demandé, mais la mémoire spécifiée contient des données corrompues. Ceci indique soit une panne matérielle, soit une corruption de données temporaire qui peut être corrigée en réécrivant ces données en mémoire.
- 102: Un rappel de données de configuration a été demandé, mais la mémoire spécifiée ne contient aucune donnée.
- 103: Tente de lire ou d'écrire une commande sur une deuxième sortie lorsqu'elle n'est pas disponible. Cette erreur se produit normalement lorsqu'on tente de programmer la deuxième sortie sur des appareils monovoie ou sur un appareil à deux voies réglé sur le mode parallèle.
- 104: Commande invalide lorsque la sortie est activée
- 200: Lecture uniquement : une tentative de modification des réglages de l'appareil a été effectuée à partir d'une interface sans privilèges d'écriture, se reporter au chapitre sur le Verrouillage de l'interface.

## Registres d'état d'événement limite et d'activation d'état d'événement limite

Il existe un Event Status Register Limite pour les alimentations électriques de sortie unique ; il y en a deux pour les alimentations électriques doubles (sauf en cas de fonctionnement en mode parallèle). Ceux-ci sont lus et supprimés à l'aide des commandes « LSR1? » et « LSR2 » respectivement. Lors de la mise en marche, ces registres sont réglés sur 0, puis immédiatement réglés pour indiquer le nouveau statut de limite.

Tous les bits définis dans le Limit Event Status Register qui correspondent aux bits positionnés dans le Limit Event Status Enable Register l'accompagnant entraîneront le positionnement du bit LIM1 ou LIM2 dans le Status Byte Register.

- Bit 7: Réserve pour usage futur
- Bit 6: Réglé lorsqu'une coupure s'est produite qui ne peut être réinitialisée qu'à partir du panneau avant ou en supprimant et en réappliquant l'alimentation CA.
- Bit 5: Réserve pour usage futur
- Bit 4: Réglé quand la sortie entre dans la limite de puissance (mode non régulé)
- Bit 3: Réglé quand un déclenchement de surintensité de sortie est survenu

- 
- Bit 2: Réglé quand un déclenchement de surtension de sortie est survenu.
  - Bit 1: Réglé quand la sortie entre dans la limite d'intensité (mode CC)
  - Bit 0: Réglé quand la sortie entre dans la limite de tension (mode CV)Status

### **Registre d'octet d'état et registre d'activation d'état d'événement standard**

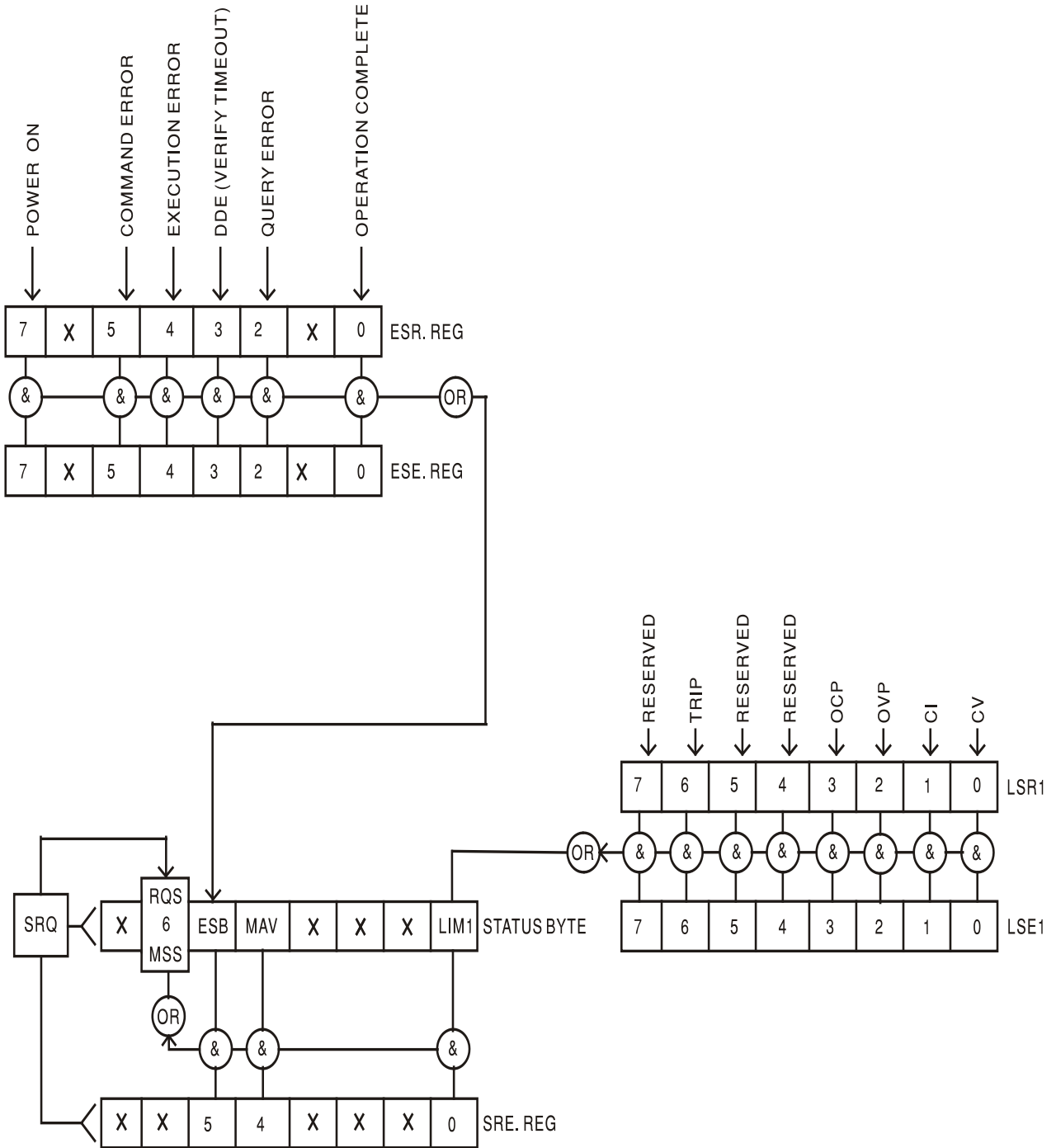
Ces deux registres sont mis en œuvre comme exigée par la norme IEEE 488.2.

Tous les bits définis dans le Status Byte Register qui correspondent aux bits positionnés dans le Service Request Enable Register entraîneront le positionnement du bit RQS/MSS dans le Status Byte Register, ce qui génère une Service Request sur le bus.

Le Status Byte Register est lu, soit par la commande \*STB?, qui renvoie MSS au bit 6, soit par une Serial Poll (scrutation série) qui renvoie RQS au bit 6. Le Service Request Enable register est réglé par la commande \*SRE <nrf> et lu par la commande \*SRE?.

- Bit 7 - Non utilisé.
- Bit 6 - RQS/MSS. Ce bit, défini par la norme IEEE 488.2, contient à la fois le message Requesting Service et le message Master Status Summary (résumé d'état principal). RQS est renvoyé en réponse à Serial Poll et MSS est renvoyé en réponse à la commande \*STB?.
- Bit 5 - ESB. Event Status Bit (bit d'état d'évènement). Ce bit est réglé si des bits positionnés dans le Standard Event Status Register correspondent aux bits réglés dans le Standard Event Status Enable Register.
- Bit 4 - MAV. Message Available Bit (bit de message disponible). Ce bit est réglé lorsqu'un message de réponse de l'appareil est formaté et qu'il est prêt à être transmis au contrôleur. Le bit est réinitialisé lorsque le Response Message Terminator (terminaison de message de réponse) a été transmis.
- Bit 3 - Non utilisé.
- Bit 2 - Non utilisé.
- Bit 1 - LIM2. Ce bit sera réglé si des bits sont programmés dans le Limit Event Status Register 2 et que des bits correspondants sont réglés dans le Limit Event Status Enable Register 2.
- Bit 0 - LIM1. Ce bit sera réglé si des bits sont programmés dans le Limit Event Status Register 1 et que des bits correspondants sont réglés dans le Limit Event Status Enable Register 1.

## Modèle de Statut



---

## Réglages par défaut de démarrage et de commande à distance

Les valeurs suivantes d'état d'instrument sont réglées lors de la mise en marche :

Status Byte Register (registre d'octets d'état) = 0

Service Request Enable Register (registre d'activation d'état d'événement standard)† = 0

Standard Event Status Register (registre d'état d'événement standard) = 128 (bit réglage au démarrage)

Standard Event Status Enable Register (registre d'activation d'état d'événement standard) = 0

Execution Error Register (registre d'erreur d'exécution) = 0

Query Error Register (registre d'erreur d'interrogation) = 0

Parallel Poll Enable Register (registre d'activation de scrutation parallèle) † = 0

† Les registres marqués de cette manière sont spécifiques au chapitre GPIB de l'appareil et leur utilisation est restreinte dans un environnement RS232.

L'appareil sera à l'état local et les commandes du panneau avant actives.

Les paramètres de l'appareil au démarrage sont toujours les mêmes qu'à sa dernière mise hors tension, à l'exception de l'état de sortie. Par défaut, la sortie est toujours désactivée lors du démarrage, mais l'utilisateur peut changer ce paramètre à l'aide du panneau avant pour que le réglage au démarrage soit le même qu'à la mise hors tension précédente, voir le paragraphe Mise en marche dans le chapitre Fonctionnement manuel.

La commande d'interface \*RST (reset) réinitialise l'appareil aux réglages de commande à distance par défaut.

Les réglages de commande à distance par défaut sont :

$V_{out}=1$  V,  $I_{out}=1$  A,  $\Delta V=10$  mV,  $\Delta I=10$  mA, fonction Lock annulée, OVP = 66 V & OCP = 22 A.

Les réglages de l'interface à distance et le réglage de l'état de sortie au démarrage restent inchangés par la commande \*RST.

Les paramètres Sense restent tels que définis à l'aide des commutateurs du panneau avant.

---

# Commandes à Distance (XPF 60-20P uniquement)

## Format de commande à distance RS232/USB

L'entrée RS232 de l'appareil est mise en tampon dans une file d'attente d'entrée de 256 octets remplie, sous interruption, de manière transparente à toutes les autres opérations de l'appareil. L'appareil transmettra un signal XOFF lorsqu'environ 200 caractères se trouvent dans la file d'attente. Le signal XON sera transmis lorsqu'environ 100 espaces libres deviennent disponibles dans la file d'attente après transmission de XOFF. Cette file d'attente contient des données pures (non analysées sur le plan syntaxique) qui sont acceptées par l'analyseur, le cas échéant. Les commandes (et interrogations) sont exécutées dans l'ordre et l'analyseur de syntaxe ne commence pas de nouvelle commande avant que la commande ou l'interrogation précédente ne soit achevée. Les réponses RS232 aux commandes ou interrogations sont immédiatement transmises ; il n'y a pas de file d'attente de sortie.

L'entrée USB est compatible avec le standard USB 2.0 (Mode Rapide).

Les commandes doivent être envoyées comme spécifiées dans la liste des commandes et doivent être suivies du code terminateur de commande 0AH (saut de ligne, LF). Les commandes peuvent être envoyées en groupe, séparées les unes des autres par le code séparateur 3BH (;). Le groupe doit être suivi du code terminateur de commande 0AH (saut de ligne, LF).

Les réponses de l'appareil au contrôleur sont envoyées comme spécifiées dans la liste des commandes. Chaque réponse se termine par <RESPONSE MESSAGE TERMINATOR> (terminateur de message par réponse) qui est 0DH (retour chariot, CR) suivi de 0AH (saut de ligne, LF).

<WHITE SPACE> (espace blanc) est défini sous forme de codes de caractères 00H à 20H inclus.

<WHITE SPACE> est ignoré, sauf dans les identifiants de commande, par exemple « \*C LS » n'est pas équivalent à « \*CLS ».

Le bit haut des différents caractères est ignoré.

Les commandes acceptent indifféremment les minuscules et majuscules.

## Formats de commande à distance GPIB

L'entrée GPIB de l'appareil est mise en tampon dans une file d'attente d'entrée de 256 octets remplie, sous interruption, de manière transparente à toutes les autres opérations de l'appareil. La file d'attente contient des données pures (non analysées sur le plan syntaxique) qui sont acceptées par l'analyseur, le cas échéant. Les commandes (et interrogations) sont exécutées dans l'ordre et l'analyseur de syntaxe ne commence pas de nouvelle commande avant que la commande ou l'interrogation précédente ne soit achevée. Il n'y a pas de file d'attente de sortie, ce qui signifie que le dispositif de mise en forme des réponses attend, indéfiniment si nécessaire, que l'appareil soit adressé en mode parleur et que le message de réponse complet ait été envoyé avant que l'analyseur ne puisse commencer la commande suivante de la file d'attente d'entrée.

Les commandes sont transmises en tant que <PROGRAM MESSAGES> (messages de programme) par le contrôleur et chaque message n'a aucun élément <PROGRAM MESSAGE UNIT> (unité de message de programme) ou est constitué d'un ou plusieurs éléments <PROGRAM MESSAGE UNIT> séparés par des éléments <PROGRAM MESSAGE UNIT SEPARATOR> (séparateur d'unité de message de programme).

Une <PROGRAM MESSAGE UNIT> est une commande quelconque parmi celles de la liste des commandes à distance.

Un <PROGRAM MESSAGE UNIT SEPARATOR> est le caractère point-virgule ';' (3BH).

Les <PROGRAM MESSAGES> sont séparés par des éléments <PROGRAM MESSAGE TERMINATOR> (terminaison de message de programme) qui peuvent être constitués d'un des éléments suivants :

NL	Caractère nouvelle ligne (0AH)
NL^END	Caractère nouvelle ligne avec message END (fin)
^END	Message END (fin) avec le dernier caractère du message

Les réponses de l'appareil au contrôleur sont transmises en tant que <RESPONSE MESSAGES> (messages de réponse). Un <RESPONSE MESSAGE> est constitué d'un <RESPONSE MESSAGE UNIT>

---

(unité de message de réponse) suivi d'un <RESPONSE MESSAGE TERMINATOR> (terminaison de message de réponse).

Un <RESPONSE MESSAGE TERMINATOR> est le caractère de nouvelle ligne avec le message NL^END.

Chaque interrogation produit un <RESPONSE MESSAGE> (message de réponse) spécifique listé avec la commande dans la liste des commandes à distance.

<WHITE SPACE> est ignoré, sauf dans les identifiants de commande, par exemple « \*C LS » n'est pas équivalent à « \*CLS ». <WHITE SPACE> correspond aux codes de caractères 00H à 20H inclus, à l'exception du caractère NL (0AH).

Le bit haut des différents caractères est ignoré. Les commandes acceptent indifféremment les minuscules et majuscules.

## Liste des commandes

Ce chapitre répertorie toutes les commandes et interrogations mises en œuvre dans cet appareil.

Remarque : il n'y a pas de paramètres dépendants, de paramètres couplés, de commandes de chevauchement, d'éléments de données de programme d'expression, ni d'en-têtes de programmes de commande composés, et chaque commande est entièrement exécutée avant le début de la commande suivante. Toutes les commandes sont séquentielles et le message signalant que l'opération est terminée est, dans tous les cas, généré immédiatement après l'exécution.

La nomenclature suivante est utilisée :

<rmt>	<RESPONSE MESSAGE TERMINATOR> (terminaison de message de réponse)
<nrf>	Nombre sous tout format, par exemple 12, 12 00, 1 2e1 et 120e-1 est accepté en tant que le numéro 12. Tout numéro, après sa réception, est converti à la précision requise correspondant à l'utilisation, puis arrondi de manière à permettre d'obtenir la valeur de la commande.
<nr1>	Nombre sans partie décimale, c'est-à-dire nombre entier.
<nr2>	Un nombre sous format de virgule fixe, par ex. 11,52, 0,78, etc.
<n>	Le nombre de sorties (1, 2, etc.) ou de registres de statut associés auxquels se rapporte la commande. Pour cet appareil à sortie unique, <n> est toujours égal à 1. Ainsi, les commandes sont, par exemple, V1 <nrf>, I10?, etc. Ceci permet de conserver un format de commande entièrement compatible avec ceux utilisés sur les systèmes d'alimentation programmables TTI à sorties multiples ; un système comportant deux sorties, par exemple, disposerait d'une deuxième série de commandes V2<nrf>, I20?, etc.

Les commandes qui commencent par un \* sont celles qui sont spécifiées par la norme IEEE 488.2 en tant que commandes communes. Elles sont toutes opérationnelles lorsqu'elles sont utilisées sur les autres interfaces, mais certaines n'auront qu'une utilisation très restreinte.

## Commandes spécifiques de l'appareil

Pour les commandes spécifiées comme 'WITH VERIFY' (avec vérification), l'opération est terminée quand le paramètre à ajuster atteint la valeur requise à +/-5% ou +/-10 comptes, la plus grande étant retenue. Si la valeur ne parvient pas à se stabiliser dans ces limites dans les 5 secondes, alors le bit 'Verify Timeout' (expiration de la vérification, bit 3) est réglé dans le Standard Event Status Register et l'opération est complétée à la fin de la période d'attente.

Le bit Operation Complete (bit d'exécution d'opération) (bit 0) ne peut être réglé que par le biais de la commande \*OPC. La commande \*OPC (ou \*OPC?) peut être utilisée pour synchroniser les appareils en raison de la nature séquentielle des opérations à distance.

---

V<n> <nrf>	Règle la sortie <n> sur <nrf> Volts
V<n>V <nrf>	Règle la sortie <n> sur <nrf> Volts avec vérification
OVP<n> <nrf>	Règle le point de déclenchement de protection de surtension de la sortie <n> sur <nrf> Volts
I<n> <nrf>	Règle la limite d'intensité de la sortie <n> sur <nrf> A
OCP<n> <nrf>	Règle le point de déclenchement de protection de surintensité de la sortie <n> sur <nrf> Amps
I<n>?	Renvoie la limite d'intensité réglée de la sortie <n> La réponse est I <n> <nr2><rmt> où <nr2> est exprimé en ampères
OVP<n>?	Renvoie le réglage du déclenchement de surtension de la sortie <n> La réponse est VP<n> <nr2><rmt> où <nr2> est exprimé en volts
OCP<n>?	Renvoie le réglage du déclenchement de surintensité de la sortie <n> La réponse est CP<n> <nr2><rmt> où <nr2> est exprimé en ampères
V<n>O?	Renvoie la tension de collationnement de la sortie <n> La réponse est <nr2>V<rmt> où <nr2> est exprimé en volts
I<n>O?	Renvoie l'intensité de collationnement de la sortie <n> La réponse est <nr2>A<rmt> où <nr2> est exprimé en ampères
DELTA V<n> <nrf>	Règle la taille de pas de tension de la sortie <n> sur <nrf> volts
DELTA I<n> <nrf>	Règle la taille de pas d'intensité de la sortie <n> sur <nrf> ampères
DELTA V<n>?	Renvoie la taille de pas de tension de la sortie <n> La réponse est DELTA V<n> <nr2><rmt> où <nr2> est exprimé en volts
DELTA I<n>?	Renvoie la taille de pas d'intensité de la sortie <n> La réponse est DELTA I<n> <nr2><rmt> où <nr2> est exprimé en ampères
INCV<n>	Augmente la tension de la sortie <n> de la taille de pas pour la sortie <n>
INCV<n>V	Augmente la tension de la sortie <n> de la taille de pas pour la sortie <n> avec vérification.
DECV<n>	Diminue la tension de la sortie <n> de la taille de pas pour la sortie <n>
DECV<n>V	Diminue la tension de la sortie <n> de la taille de pas pour la sortie <n> avec vérification.
INCI<n>	Augmente la limite d'intensité de la sortie <n> de la taille de pas pour la sortie <n>
DECI<n>	Diminue la limite d'intensité de la sortie <n> de la taille de pas pour la sortie <n>
OP<n> <nrf>	Règle la sortie <n> on/off où <nrf> a la signification suivante : 0=OFF, 1=ON
OP<n>?	Renvoie le statut on/off de la sortie <n>. La réponse est <nr1><rmt> où 1 = ON (activé), 0 = OFF (désactivé).
TRIPRST	Tente de supprimer toutes les conditions de déclenchement.
LOCAL	Passé en local. Cela ne débloque aucun verrou d'interface actif de sorte que le verrou reste avec l'interface sélectionnée lorsque la commande à distance suivante est reçue.
IFLOCK	Demande le verrou d'interface. Cette commande exige un contrôle d'accès exclusif de l'appareil. La réponse est 1 en cas de succès ou -1 si le verrou n'est pas disponible soit parce qu'il est déjà utilisé, soit parce que l'utilisateur a désactivé cette interface pour l'empêcher de prendre le contrôle à l'aide de l'interface Web.

---

---

IFLOCK?	Interroge le statut du verrou d'interface. La valeur de retour est 1 si le verrou est détenu par la session d'interface effectuant la requête ; 0 s'il n'y a pas de verrou actif ou -1 si le verrou n'est pas disponible, soit parce qu'il est déjà utilisé, soit parce que l'utilisateur a désactivé cette interface pour l'empêcher de prendre le contrôle à l'aide de l'interface web.
IFUNLOCK	Débloque le verrou si possible. Cette commande renvoie la valeur 0 en cas de succès. En cas d'échec de cette commande, -1 est renvoyé, 200 est placé dans le Execution Register et le bit 4 du Event Status Register est défini en indiquant qu'il n'y a pas d'autorité pour débloquer le verrou.
LSR<n>?	Interroge et vide le Limit Event Status Register <n>. Réponse : <nr1><rmt>. Voir le chapitre sur le rapport d'état pour plus de détails.
LSE<n> <nrf>	Règle la valeur de LSE<n>, Limit Event Status Enable Register <n>, sur <nrf>
LSE<n>?	Renvoie la valeur de LSE<n>, Limit Event Status Enable Register <n> - la réponse est <nr1><rmt>

### Commandes système et commandes d'état

*CLS	Clear Status. Vidage de la structure d'état. Cette fonction vide indirectement le Status Byte Register.
EER?	Interroge et vide l'Execution Error Register. Format de la réponse : nr1<rmt>.
*ESE <nrf>	Réglage du Standard Event Status Enable Register sur la valeur <nrf>
*ESE?	Renvoi de la valeur du Standard Event Status Enable Register au format numérique <nr1>. Syntaxe de la réponse <nr1><rmt>
*ESR?	Renvoi de la valeur du Standard Event Status Register au format numérique <nr1>. Le registre est ensuite vidé. Réponse : <nr1><rmt>. Voir le chapitre sur le rapport d'état pour plus de détails.
*IST?	Renvoi du message local <b>ist</b> tel que défini par la norme IEEE 488.2. Syntaxe de la réponse : 0<rmt> si le message local est faux, ou 1<rmt> si le message est vrai.
*OPC	Réglage du bit Operation Complete (bit 0) dans le Standard Event Status Register. Ce réglage se produit immédiatement après exécution de la commande en raison de la nature séquentielle de toutes les opérations.
*OPC?	Interroge l'état Operation Complete. La réponse est toujours 1<rmt> et sera disponible immédiatement après exécution de la commande, car toutes les commandes sont séquentielles.
*PRE <nrf>	Réglage du Parallel Poll Enable Register sur la valeur <nrf>.
*PRE?	Renvoi de la valeur du Parallel Poll Enable Register au format numérique <nr1>. Syntaxe de la réponse <nr1><rmt>
QER?	Interroge et vide le Query Error Register. Format de la réponse : nr1<rmt>
*RST	Réinitialise l'appareil aux réglages de commande à distance par défaut, à l'exception de tous les réglages de l'interface à distance et du réglage de l'état de sortie lors de la mise en marche. (se reporter au paragraphe sur les réglages de fonctionnement à distance par défaut dans le chapitre sur le fonctionnement de l'interface à distance)
*SRE <nrf>	Réglage du Service Request Enable Register sur <nrf>.
*SRE?	Renvoi de la valeur du Service Request Enable Register au format numérique <nr1>. Syntaxe de la réponse <nr1><rmt>



---

*STB?	Renvoi de la valeur du Status Byte Register au format numérique <nr1>. Syntaxe de la réponse <nr1><rmt>
*WAI	Attend que l'état Operation Complete soit vrai. Comme toutes les commandes sont exécutées entièrement avant le démarrage de la commande suivante, cette commande ne joue pas de rôle supplémentaire.

### Commandes diverses

*IDN?	Renvoie l'identification de l'appareil. La réponse exacte est déterminée par la configuration de l'appareil et elle est sous forme <NOM>,<modèle>, <No. de série>, <version><rmt> où <NOM> est le nom du constructeur, <modèle> définit le type d'appareil, <No. de série> le numéro de série unique et <version> le niveau de révision du logiciel installé. Le format de <version> est X.xx – Y.yy où X.xx est la révision du microprogramme principal de l'appareil et Y.yy la révision du microprogramme de la carte d'interface. Le microprogramme de l'interface est un champ qui peut être mis à jour par l'utilisateur par le biais du port USB.
ADDRESS?	Rappel de l'adresse bus de l'appareil. Il s'agit de l'adresse utilisée par le GPIB s'il est installé, ou utilisée comme identifiant général avec les autres interfaces.
*TST?	Le PSU ne dispose pas de capacité d'essais automatiques et la réponse est toujours 0 <rmt>
*TRG	Le générateur ne dispose pas de capacité de déclenchement. La commande est acceptée, mais ne performe aucune action.

### Messages d'erreur

Chaque message d'erreur est doté d'un numéro ; seul ce numéro est renvoyé par le biais des interfaces de commande à distance. Les numéros de messages d'erreur ne sont pas affichés, mais placés dans l'Execution Error Register où ils peuvent être lus via les interfaces distantes, se reporter au chapitre Rapport d'état.

Le fabricant ou ses agences à l'étranger proposent un service de réparation pour tout appareil défaillant. Si le propriétaire de ce matériel souhaite en effectuer l'entretien par leurs propres moyens, il est fortement recommandé que ce travail soit effectué exclusivement par un personnel qualifié, à l'aide du guide d'entretien que l'on peut acheter directement chez le fabricant ou ses agents à l'étranger.

## Fusible

Le type de fusible correct est :

10 Amp 250 V HBC temporisé, 5 x 20 mm

Remplacer les fusibles uniquement par des fusibles de l'intensité nominale requise et du type spécifié. Il est interdit d'utiliser des fusibles bricolés et de court-circuiter les porte-fusibles.

**Remarque Importante** : La fonction principale du fusible est de rendre l'appareil sûr et de limiter les dommages en cas de panne de l'un des commutateurs. En cas de défaillance d'un fusible, il est très possible que son remplacement souffre de la même défaillance, car l'alimentation a développé un problème. Dans de telles circonstances, l'appareil devra être renvoyé au fabricant pour réparations.

Si le remplacement du fusible est considéré approprié, procéder comme suit :

1. S'assurer que l'appareil est déconnecté de l'alimentation CA.
2. Retirer les deux rivets poussoirs en plastique de chaque côté du panneau supérieur. En y plaçant la lame d'un petit tournevis, libérer d'abord la tête du rivet, puis dégager complètement le corps de la fixation. Retirer les rivets poussoirs en plastique de chaque côté du support de montage du ventilateur.
3. Tourner l'appareil sur le côté et retirer les deux vis à la base de l'appareil (juste à côté des trous de ventilation) qui rattachent le support de montage du ventilateur au châssis.
4. Débrancher l'ensemble de câbles du ventilateur du PCB principal.
5. Retirer soigneusement le ventilateur et son support. Cette opération peut nécessiter le retrait de l'ensemble de connexion entre l'Interface PCB et la commande PCB (XPF 60-20P uniquement). Débrancher le connecteur à 9 broches reliant le PCB de commande à l'ensemble de câbles d'alimentation du PCB au niveau du PCB de commande. Défaire les deux écrous et boulons M4 rattachant le bord supérieur du PCB d'alimentation au côté du châssis, en prenant soin de ne pas perdre les rondelles, puis retirer les deux écrous M3 vers le centre du PCB.
6. Soulever soigneusement l'ensemble du panneau en gardant la plaque en position horizontale afin d'éviter de tordre les broches de connexion. Le fusible est situé à l'arrière de l'instrument, sur l'ensemble PCB principal. Remplacer le fusible par un fusible adapté. Pour réassembler l'appareil, répéter la procédure ci-dessus en sens inverse. Il convient de faire preuve du plus grand soin lors de la ré-insertion de l'ensemble de la plaque d'alimentation dans l'instrument. L'ensemble de la plaque principale comprend deux prises à 8 broches à côté du fusible. Celles-ci peuvent être branchées sur des prises complémentaires situées sur l'ensemble d'alimentation PCB. Pour s'assurer que celles-ci sont bien alignées, observer la connexion à travers l'ouverture latérale du châssis.

## Nettoyage

Si l'appareil a besoin d'être nettoyé, utiliser uniquement un chiffon qui aura été préalablement humidifié avec un peu d'eau ou un détergent doux.

**AVERTISSEMENT ! AFIN D'ÉVITER TOUT RISQUE D'ÉLECTROCUTION OU UNE DÉTÉRIORATION DE L'APPAREIL, NE JAMAIS LAISSER D'EAU S'INFILTRER À L'INTÉRIEUR DU BOÎTIER. POUR ÉVITER TOUTE DÉTÉRIORATION, NE JAMAIS UTILISER DE SOLVANTS POUR NETTOYER LE BOÎTIER.**

---

# Sicherheit

Dieses Gerät wurde nach der Sicherheitsklasse (Schutzart) I der IEC-Klassifikation und gemäß den europäischen Vorschriften EN61010-1 (Sicherheitsvorschriften für elektrische Mess-, Steuer-, Regel- und Laboranlagen) entwickelt. Es handelt sich um ein Gerät der Installationskategorie II, das für den Betrieb mit einer normalen einphasigen Versorgung vorgesehen ist.

Das Gerät wurde gemäß den Vorschriften EN61010-1 geprüft und wurde in sicherem Zustand geliefert. Die vorliegende Anleitung enthält vom Benutzer zu beachtende Informationen und Warnungen, die den sicheren Betrieb und den sicheren Zustand des Gerätes gewährleisten.

Dieses Gerät ist für den Betrieb in Innenräumen der Umgebungsklasse 2, für einen Temperaturbereich von 5° C bis 40° C und 20 - 80 % relative Feuchtigkeit (nicht kondensierend) vorgesehen. Gelegentlich kann es Temperaturen zwischen +5° und –10°C ausgesetzt sein, ohne dass seine Sicherheit dadurch beeinträchtigt wird. Betreiben Sie das Gerät jedoch auf keinen Fall, solange Kondensation vorhanden ist.

Ein Einsatz dieses Gerätes in einer Weise, die für diese Anlage nicht vorgesehen ist, kann die vorgesehene Sicherheit beeinträchtigen. Auf keinen Fall das Gerät außerhalb der angegebenen Nennversorgungsspannungen oder Umgebungsbedingungen betreiben.

## **WARNUNG! - DIESES GERÄT MUSS GEERDET WERDEN!**

Jede Unterbrechung des Netzschutzleiters innerhalb oder außerhalb des Gerätes macht das Gerät gefährlich. Eine absichtliche Unterbrechung ist verboten. Die Schutzwirkung darf nicht durch Verwendung eines Verlängerungskabels ohne Schutzleiter aufgehoben werden.

Ist das Gerät an die elektrische Versorgung angeschlossen, so können die Klemmen unter Spannung stehen, was bedeutet, dass beim Entfernen von Verkleidungs- oder sonstigen Teilen (mit Ausnahme der Teile, zu denen Zugang mit der Hand möglich ist) höchstwahrscheinlich spannungsführende Teile bloßgelegt werden. Vor jeglichem Öffnen des Gerätes zu Nachstell-, Auswechsel-, Wartungs- oder Reparaturzwecken, Gerät stets von sämtlichen Spannungsquellen abklemmen. Kondensatoren in der Stromversorgung können auch noch nach Abschalten sämtlicher Stromversorgung Spannung führen, sie entladen sich jedoch innerhalb von etwa 10 Minuten nach Spannungsabschaltung.

Jegliche Nachstellung, Wartung und Reparatur am geöffneten, unter Spannung stehenden Gerät, ist nach Möglichkeit zu vermeiden. Falls unvermeidlich, sollten solche Arbeiten nur von qualifiziertem Personal ausgeführt werden, das sich der Gefahren bewusst ist.

Ist das Gerät eindeutig fehlerbehaftet, bzw. wurde es mechanisch beschädigt, übermäßiger Feuchtigkeit oder chemischer Korrosion ausgesetzt, so können die Schutzeinrichtungen beeinträchtigt sein, weshalb das Gerät aus dem Verkehr zurückgezogen und zur Überprüfung und Reparatur eingesandt werden sollte.

Sicherstellen, dass nur Sicherungen der vorgeschriebenen Stromstärke und des vorgesehenen Typs als Ersatz verwendet werden. Provisorische "Sicherungen" und der Kurzschluss von Sicherungshaltern ist verboten.

Beim Reinigen darauf achten, dass das Gerät nicht nass wird.

Am Gerät werden folgende Symbole verwendet:



Vorsicht! Bitte beachten Sie die beigelegten Unterlagen. Falsche Bedienung kann Schaden am Gerät verursachen!



Netz ON (ein)



Erdungsklemme



Wechselstrom



Netz OFF (aus)



Gleichstrom

## Netzbetriebsspannung

Dieses Gerät hat einen universellen Eingangsbereich und kann über eine Nennspannung von 115 V oder 230 V, ohne weitere Anpassungen betrieben werden. Prüfen Sie, dass Ihre lokale Spannungsversorgung den in den technischen Daten angegebenen AC-Eingangswerten entspricht.

## Netzkabel

Schließen Sie das Gerät unter Verwendung des mitgelieferten Netzkabels an die Wechselspannungsversorgung an. Falls ein Netzstecker für eine unterschiedliche Netzsteckdose erforderlich ist, muss ein geeigneter und zugelassener Netzkabelsatz verwendet werden, der mit dem geeigneten Wandstecker und einem IEC60320 C13-Stecker für das Geräteende versehen ist. Zur Bestimmung der Mindest-Nennstromstärke des Kabelsatzes für die beabsichtigte Wechselspannungsversorgung sind die Informationen zu Leistungswerten auf dem Gerät bzw. in seiner Spezifikation hinzuzuziehen.

### **ACHTUNG! DIESES GERÄT MUSS GEERDET SEIN.**

Jegliche Unterbrechung der Netzerde, ob im Innern oder außerhalb des Geräts, macht das Gerät zur Gefahrenquelle! Eine absichtliche Unterbrechung ist verboten!

## Lüftung

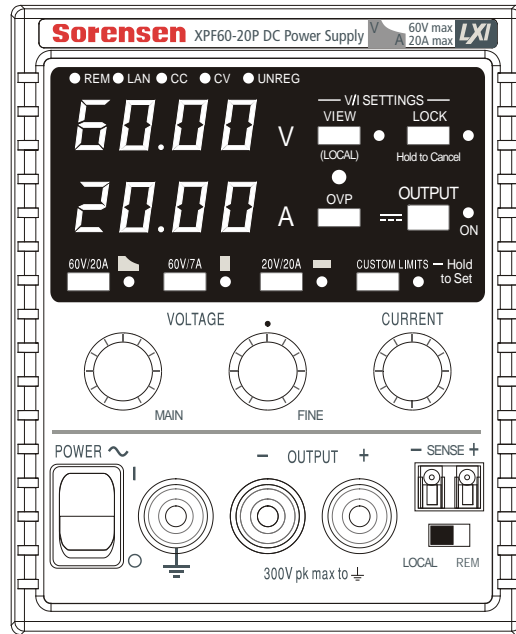
Das Netzgerät wird durch ein auf der Rückseite befindliches Gebläse mit mehreren Geschwindigkeiten gekühlt. Es muss sichergestellt werden, dass die Lufteinlässe auf der Geräteober- und Unterseite und den beiden Geräteseiten sowie der Luftauslass auf der Geräterückwand nicht blockiert werden. Bei Geräten, die in ein Rack eingebaut sind, muss genügend Raum um das Gerät gelassen werden und/oder eine Zwangskühlung mittels eines zusätzlichen Ventilators eingesetzt werden.

## Befestigung

Dieses Gerät kann auf einer Arbeitsplatte oder in einem Rack montiert werden. Es besitzt Füße zur Befestigung auf einer Arbeitsplatte. Die vorderen Gerätefüße sind mit einem Kippmechanismus zur Einstellung des optimalen Winkels versehen.

Ein Rack-Montagesatz für den Einbau von bis zu vier dieser viertelbreiten Geräte mit 3 HE in ein 19"-Rack ist vom Hersteller oder einem Fachhändler erhältlich.

## Anschlüsse auf der Gerätevorderseite

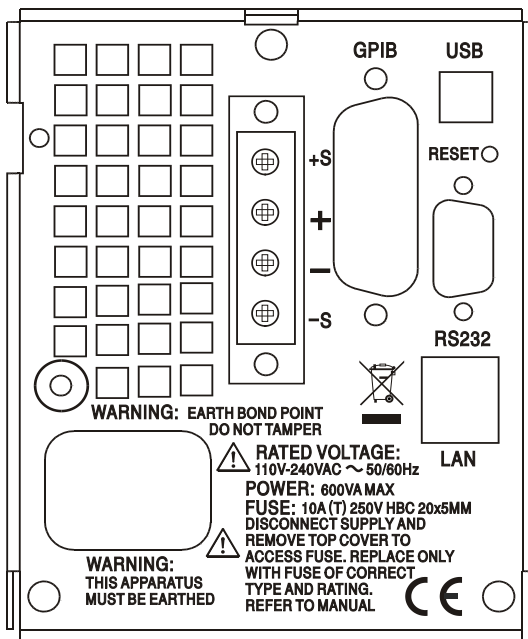


Die Last sollte an die mit OUTPUT (Ausgang) gekennzeichneten positiven (roten) und negativen (schwarzen) Klemmen angelegt werden. Die Ausgangsklemmen (OUTPUT) sind für einen maximalen Strom von 30 A ausgelegt.

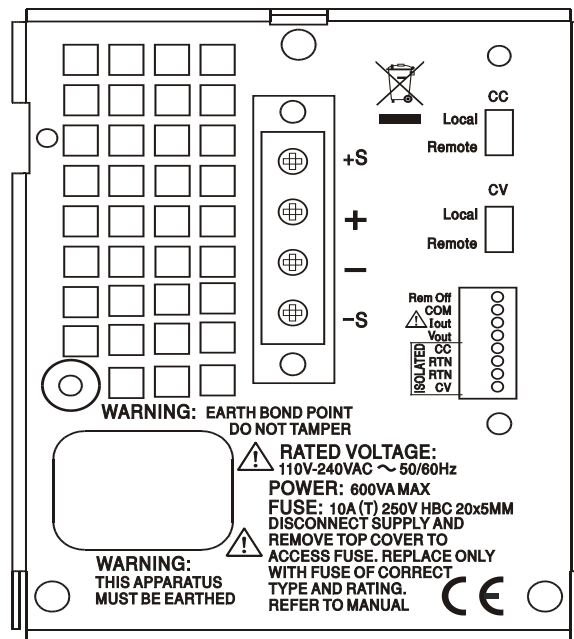
Die Fernfühleranschlüsse für die Last (falls gewünscht) erfolgen über die entsprechenden Plus- (+) und Minus (-) SENSE Klemmen. Setzen Sie den Schalter LOCAL/REMOTE auf REMOTE, wenn die Fernfühlerfunktion eingesetzt werden soll. Setzen Sie den Schalter auf LOCAL zurück, wenn die Fernfühlerfunktion nicht verwendet wird.

Die mit  $\perp$  markierte Klemme ist mit dem Gehäuse und dem Schutzleiter verbunden.

## Anschlüsse auf der Geräterückseite (nur XPF 60-20P & XPF 60-20A)



XPF 60-20P



XPF 60-20A

---

## Ausgangsklemmen

Die Ausgangs- und Fernfühlerklemmen liegen auf der Geräterückseite im Duplikat vor. Diese Anschlüsse sind mit +O/P, -O/P, +S und -S gekennzeichnet und mit ihren Äquivalenten auf der Gerätefront parallel geschaltet.

Setzen Sie den Schalter LOCAL/REMOTE auf REMOTE, wenn die Fernfühlerfunktion eingesetzt werden soll. Bei Verwendung der rückseitigen Ausgänge empfiehlt es sich die Fernfühlerfunktion zu nutzen, um eine stabile Ausgangsspannung zu gewährleisten. Der Anschluss kann an die Fernfühleranschlüsse auf der Vorder- oder auf der Rückseite erfolgen, jedoch nie an beide gleichzeitig. Setzen Sie den Schalter auf LOCAL zurück, wenn die Fernfühlerfunktion nicht verwendet wird.

## Analogfernsteuerung (nur XPF 60-20A)

Die Anschlüsse CV und CC ermöglichen die Analogsteuerung der Ausgangsspannung und der Strombegrenzung wenn die Schiebeschalter CV und CC auf Remote eingestellt sind. Diese Eingänge und das gemeinsame Rückleitersignal (RTN) sind vom Ausgang isoliert. Die Isolationsspannung in Bezug auf den Ausgang beträgt max. 300 V. Die Eingangsskalierung kann unabhängig durch interne Brücken auf 0 bis 5 Volt (Werksvoreinstellung) oder auf 0 bis 10 Volt gestellt werden, um jeweils 0 bis 100% des Maximalwerts zu erreichen. Die maximal zulässige Eingangsspannung beträgt 60 V. CV und CC können einzeln oder zusammen verwendet werden.

Setzen Sie die Schalter CV und CC auf LOCAL zurück, wenn die Fernfühlerfunktion nicht verwendet wird.

## Analogausgang (nur XPF 60-20A)

Die Anschlüsse  $V_{OUT}$  und  $I_{OUT}$  sind Analogausgänge mit der jeweils eingestellten Ausgangsspannung bzw. Strombegrenzung. Die Skalierung ist auf 0 bis 5 Volt entsprechend 0 bis 100% des Maximalausgangswerts festgelegt.  $V_{OUT}$  und  $I_{OUT}$  sind an den Klemmen immer vorhanden, ganz gleich ob das Gerät im lokalen oder ferngesteuerten Modus betrieben wird.



**Achtung! COM bezieht sich auf die Ausgangssteuerschaltung und liegt innerhalb von ~1 V der positiven Ausgangsspannung.  $V_{OUT}$  und  $I_{OUT}$  liegen immer an den Klemmen an.**



Legen Sie keine externe Spannung an diese Klemmen an.

## Remote Ein/Aus (nur XPF 60-20A)

Durch Schließen eines Schalters oder ein „Low“ Signal an den Anschlüssen REM OFF und COMmon wird der Ausgang abgeschaltet.



**Achtung! COM bezieht sich auf die Ausgangssteuerschaltung und liegt innerhalb von ~1 V der positiven Ausgangsspannung.**



Legen Sie keine externe Spannung an diese Klemmen an.

---

## RS232 (nur XPF 60-20P)

9-pol. D-Buchse mit den unten beschriebenen Pin-Belegungen. Kann mithilfe eines vollverdrahteten Kabels (männlich-weiblich 1:1) ohne überkreuzende Verbindungen an einen standardmäßigen PC-Port angeschlossen werden.

Pin	Bez.	Beschreibung
1	RI	Passive Bestimmung (+V durch 10 kΩ)
2	TXD	Übertragungsdaten vom Gerät
3	RXD	Empfangsdaten zum Gerät
4	CTS	
5	GND	Signalmasse
6	RTS	Passive Bestimmung (+V durch 10 kΩ)
7	DSR	Keine interne Verbindung
8	DTR	
9	CD	Keine interne Verbindung

Signalmasse ist mit Gerätemasse verbunden.

## USB (nur XPF 60-20P)

Der USB-Port ist an die Geräteerde angeschlossen. Er entspricht USB 2.0 (Full Speed) und akzeptiert ein standardmäßiges USB-Kabel. Die Plug-and-Play-Funktion von Windows sollte automatisch erkennen, dass das Gerät angeschlossen worden ist. Falls der korrekte Treiber nicht gefunden wird, befolgen Sie bitte die Windows-Aufforderungen auf dem Bildschirm und installieren Sie die benötigten Dateien von der mitgelieferten CD.

## LAN (nur XPF 60-20P)

Die LAN-Schnittstelle entspricht LXI (Lan eXtensions for Instrumentation) Version 1.2; das Gerät ist Class C konform. Eine Fernsteuerung über die LAN-Schnittstelle ist mittels TCP/IP Socket-Protokoll möglich. Das Gerät enthält auch einen einfachen Web-Server mit Informationen zum Gerät, der eine Konfiguration ermöglicht. Da es durchaus möglich ist, die LAN-Schnittstelle derart falsch zu konfigurieren, dass ein Datenaustausch per LAN nicht mehr möglich ist, besitzt das Gerät auf der Rückseite einen versenkten Schalter mit der Bezeichnung LAN RESET, sodass ein Zurücksetzen auf die Werksvoreinstellung mithilfe des LCI (LAN Configuration Initialize) Mechanismus möglich ist.

Weitere Details entnehmen Sie bitte dem Abschnitt „Ferngesteuerter Betrieb“. Weitere Informationen zu den LXI Spezifikationen finden Sie auf [www.ixistandard.org/home](http://www.ixistandard.org/home)

## GPIB (nur XPF 60-20P)

Die GPIB Signallerde ist mit Geräteerde verbunden. Folgende Befehlssätze stehen zur Verfügung:

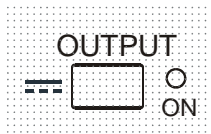
SH1 AH1 T6 TE0 L4 LE0 SR1 RL2 PP1 DC1 DT0 C0 E2

Die GPIB-Adresse wird von der Gerätevorderseite aus gesetzt.


## Einschalten

Der Netzschalter befindet sich unten links auf der Gerätevorderseite.

Wenn der POWER Schalter eingeschaltet ist zeigt die untere Messanzeige kurz die Firmware-Revision des Geräts an, gefolgt von der Interface-Firmware-Revisionsnummer (in der oberen Anzeige erscheint **IF**), ehe im Display die Spannungs- und Stromanzeige erfolgt. Die LAN Anzeige über der rechten Messanzeige leuchtet ebenfalls auf, geht aber nach ca. 30 s aus, wenn keine aktive LAN-Verbindung gefunden wurde (siehe Absatz zu LAN-Fehler im Abschnitt LAN-Schnittstelle).



Beim Einschalten ist der Ausgang standardmäßig immer ausgeschaltet. Die Werte für Ausgangsspannung und Strom hängen von den jeweiligen Reglereinstellungen ab und werden auf dem Display angezeigt. Die Lampe VIEW leuchtet, um darauf hinzuweisen, dass es sich bei den angezeigten Werten um die Voreinstellungen handelt. Alle anderen Einstellungen entsprechen dem Zustand vor dem letzten Abschalten des Geräts.

Der Gleichspannungsausgang kann so eingerichtet werden, dass er beim Einschalten des Geräts entweder immer ausgeschaltet ist oder den Zustand vor dem letzten Ausschalten des Geräts annimmt. Diese Einstellung kann wie folgt geändert werden: Bei gedrückter VIEW Taste, die Taste  OUTPUT drücken und halten – auf dem Display erscheint nun 1 Sekunde lang die aktuelle Einstellung (**OP OFF** falls die Werksvoreinstellung gewählt ist). Anschließend zeigt das Display 2 Sekunden lang blinkend die neue Einstellung an (**LAST set** in diesem Fall). Nach 2 Sekunden wird die neue Einstellung kontinuierlich angezeigt und die Änderung durchgeführt. Geben Sie nun die Tasten OUTPUT und VIEW frei. Wenn Sie diesen Vorgang wiederholen, wird die Einstellung wieder rückgängig gemacht.

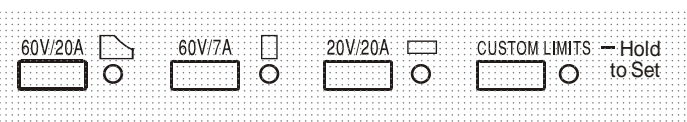
## Einrichten des Ausgangs

Bei eingeschalteter Stromversorgung ( **I** ) und ausgeschaltetem OUTPUT (Ausgang) können Sie die Spannungs- und Strombegrenzung mit den Reglern VOLTAGE und CURRENT präzise regeln. Die obere Anzeige zeigt die eingestellte Spannung und die untere Anzeige den maximalen Strom an.

Wenn der Schalter OUTPUT eingeschaltet ist, leuchten die Lampen OUTPUT ON und CV (Konstantspannung) auf. Die obere Messanzeige zeigt weiterhin die eingestellte Spannung an, während auf der unteren Anzeige nun der tatsächliche Laststrom dargestellt wird.

## Bereichswahl & Benutzergrenzwerte

Es gibt 4 mögliche Bereiche, die mit den Tasten unmittelbar unter dem Display gewählt werden. Die zugehörige Lampe leuchtet auf, um den gewählten Bereich anzuzeigen. Da sich bei der Umstellung auf einen anderen Bereich die Ausgangsspannung ändern kann, steht diese Funktion nur bei ausgeschaltetem Ausgang zur Verfügung. Wird versucht, den Bereich bei eingeschaltetem Ausgang zu wechseln, erscheint kurz die Meldung **turn OFF** im Display, die OUTPUT Anzeige blinkt und fordert somit den Benutzer auf, den Ausgang abzuschalten. Der werkseitig voreingestellte Bereich ist 60V/20A.



Der PowerFlex Bereich begrenzt den Maximalstrom bei der jeweils eingestellten Spannung auf die Leistungsgrenze oder auf 20 A, je nachdem welcher niedriger ist (siehe Abschnitt zur Leistungsbegrenzung weiter unten).

Die Bereiche 60V/7A und 20V/20A arbeiten wie gewohnt, so dass ein Konstantspannungsbetrieb (CV) über den gesamten Spannungsbereich möglich ist, vorausgesetzt der Laststrom liegt unter dem Maximalwert für den jeweiligen Bereich. Der Betrieb wird immer durch die Leistungskurve des Geräts bestimmt. Die VOLTAGE und CURRENT Regler sind immer so skaliert, dass der maximale Wert für den jeweiligen Bereich eingestellt ist, wenn sie ganz nach rechts gedreht werden. Die Funktion CUSTOM LIMITS ermöglicht die Neudefinierung der Maximalwerte für die VOLTAGE und CURRENT Regler, sodass der Anwender die Regler nur in einem speziellen, begrenzten



---

Bereich einstellen kann. Dies hat nicht nur den Vorteil, dass das versehentliche Anlegen einer falschen Spannung an die Last verhindert wird, sondern auch, dass sich der nun begrenzte Bereich unter voller Nutzung des Einstellbereichs von 300° mit dem Analogregler feinfühler einstellen lässt.

Zum Einrichten neuer CUSTOM LIMITS schalten Sie den Ausgang aus und wählen Sie den Bereich 60V/20A. Die voreingestellten Grenzwerte werden im Display angezeigt. Nun können Sie den Reglern MAIN und FINE VOLTAGE und mit dem CURRENT Regler die neuen Benutzergrenzwerte präzise einstellen. Drücken und halten Sie die Taste CUSTOM LIMITS; das Display zeigt die neuen Grenzwerte ca. 2 s lang an. Danach zeigt der untere Display (A) **set** und weist darauf hin, dass die neuen Grenzwerte gespeichert wurden. Geben Sie die Taste frei. Das Display zeigt nun die voreingestellten V und I Grenzwerte, die der Reglereinstellung in den neu definierten Bereichen entsprechen.

Liegen diese neuen Grenzwerte außerhalb der Leistungskurve (siehe Absatz zur Leistungsbegrenzung unten), so dass der Betrieb unter bestimmten Umständen von CV oder CC (Konstantstrom) auf unreguliert (UNREG - Leistungsgrenze) wechseln könnte, blinkt die Leuchte CUSTOM LIMITS während des Einstellvorgangs, um dies anzuzeigen. Die Leuchte blinkt so lange weiter, bis die Bereichstaste freigegeben wird. Wenn die Lampe während der Einstellung ständig leuchtet, weist dies darauf hin, dass  $V_{MAX} \times I_{MAX} < 420 \text{ W}$  ist und dass der Betrieb daher generell im CV- oder CC-Modus bleiben müsste. CUSTOM LIMITS bleibt so lange gewählt, bis eine andere Bereichstaste gedrückt wird. Wenn CUSTOM LIMITS durch einen kurzen Tastendruck neu gewählt wird, werden die zuletzt eingestellten Benutzergrenzwerte aufgerufen.

Wenn CUSTOM LIMITS gewählt ist, entspricht der Grenzwert des MAIN VOLTAGE Reglers genau dem nach obigem Verfahren gewählten Wert, wenn sich der FINE Regler in Mittenstellung befindet (auf dem Gerät mit einem • markiert). Mit dem FINE Regler kann eine zusätzliche Feinabstimmung von  $\pm 1\%$  (des maximalen Bereichs) vorgenommen werden.

### **Konstantspannung**

Die Ausgangsspannung wird mit den VOLTAGE MAIN und FINE VOLTAGE Reglern geregelt; mit dem Regler CURRENT wird der Maximalstrom eingestellt.

Die CV Lampe leuchtet auf, um den Betrieb mit Konstantspannung anzuzeigen.

### **Konstantstrom**

Wenn der Lastwiderstand so niedrig ist, dass bei der gewählten Ausgangsspannung ein höherer Strom fließen würde, als durch die Strombegrenzung vorgegeben, so schaltet das Netzgerät automatisch auf Konstantstrombetrieb. Der Ausgangsstrom wird mit dem CURRENT Regler eingestellt, während die VOLTAGE Regler die maximal erzeugte Spannung bestimmen.

Die Konstantstromlampe (CC) leuchtet auf, um den Betrieb mit Konstantstrom anzuzeigen.

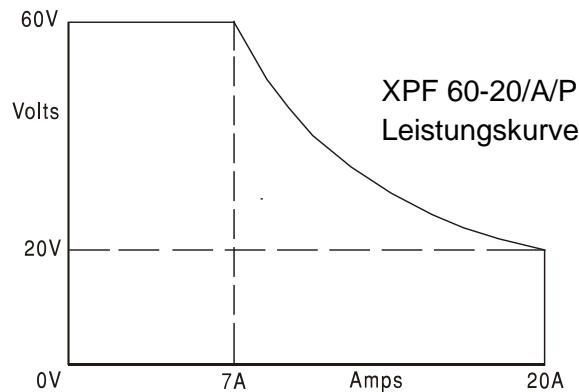
### **Momentanstrom**

Mit Hilfe der Strombegrenzungsfunktion kann der Dauerausgangsstrom bis auf 10 mA herab begrenzt werden. Wie bei allen Präzisionsnetzgeräten wird jedoch auch hier ein Kondensator am Ausgang parallel geschaltet, um eine stabile Ausgangsspannung und ein gutes dynamisches Verhalten zu gewährleisten. Dieser Kondensator lädt sich bis zur Höhe der Ausgangsspannung auf und erzeugt beim Kurzschließen des Ausgangs durch seine Entladung einen Stromimpuls, auf den die Strombegrenzung keinen Einfluss hat.

---

## Leistungsbegrenzung

Der Maximalstrom bei unterschiedlichen Spannungseinstellungen wird durch die Leistungskurve bestimmt (siehe folgende Abbildung):



Die Leistungskurve stellt 60V/7A, 42V/10A und 20V / 20A unter allen Umständen bereit (beide Ausgänge unter Last). Bei niedrigeren Ausgangsspannungen ist die Ausgangsleistung auf maximal 20 A begrenzt.

Bei einer Überschreitung der Leistungsgrenze wechselt die Statusanzeige von CV oder CC auf UNREG. Wurde das Netzgerät z. B. auf 20 V eingestellt (mit Strombegrenzung auf Maximalwert) und an eine  $2\ \Omega$  Last angeschlossen, fließen 10 Ampere, so dass sich das Gerät im CV-Modus befindet. Wird die Spannung am Ausgang erhöht, so nimmt die Last mehr Leistung auf, bis schließlich bei etwa 29 V die Leistungsgrenze überschritten wird und das Netzgerät von CV auf UNREG wechselt.

## Anschluss der Last

Die Last sollte an die mit OUTPUT gekennzeichneten positiven (rot) und negativen (schwarz) Klemmen auf der Gerätevorderseite angelegt werden. Beide Klemmen sind galvanisch getrennt und können daher an Erde gelegt werden. Alternativ kann der Anschluss am XPF 60-20A/P über die zusätzlichen Ausgangsklemmen auf der Rückseite erfolgen, was sich besonders beim Einbau in ein Rack anbietet.

Bei Verwendung der rückseitigen Klemmen sollte immer auch die Fernfühlerfunktion gewählt werden, damit die Stabilisierung der Ausgangsspannung im Rahmen der technischen Daten gewährleistet ist (siehe Abschnitt Fernfühlerfunktion unten). Wenn die rückseitigen Ausgangsklemmen ohne Einsatz der Fernfühlerfunktion verwendet werden, unbedingt darauf achten, dass der Schalter auf der Vorderseite auf LOCAL gesetzt ist. Die Regelung verschlechtert sich aufgrund des geringen Spannungsabfalls in der Verdrahtung zu den rückseitigen Klemmen etwas, wenn die Fernfühlerfunktion ausgeschaltet ist.

## Fernfühlerfunktion

Obwohl das Gerät eine sehr geringe Ausgangsimpedanz besitzt, erhöht sich diese zwangsweise durch den Widerstand der angeschlossenen Kabel. Bei hohen Strömen ergibt sich hieraus ein deutlicher Unterschied zwischen der angezeigten Quellspannung und der tatsächlichen Lastspannung (zwei Anschlusskabel mit  $5\ \text{m}\Omega$  erzeugen z. B. bei einem Strom von 20 A einen Spannungsabfall von 0,2 V). Dieses Problem lässt sich zwar durch Verwendung kurzer Anschlusskabel mit großem Querschnitt einschränken, es ist aber besser, diesen Effekt mit Hilfe der Fernfühlerfunktion ganz zu umgehen.

Dazu müssen die Fernfühlerklemmen (Sense) an der Last anstelle der Spannungsquelle angeschlossen werden. Schließen Sie die Kabel an die Federklemmen des SENSE-Anschlusses und direkt an der Last an. Setzen Sie den Schalter LOCAL/REMOTE auf REMOTE. Um Instabilität und dynamisches Fehlverhalten zu vermeiden, muss darauf geachtet werden, dass eine gute Verbindung zwischen jedem Ausgangs- und Fernfühlerkabel besteht. Dies wird erreicht, indem man entweder die Kabel miteinander verdreht oder ein abgeschirmtes Koaxialkabel

---

verwendet (die Fernfühlerleitung bildet hierbei den Innenleiter). Auch ein zum Lastanschluss parallel geschalteter Elektrolytkondensator kann hilfreich sein.

Der Spannungsabfall des jeweiligen Ausgangskabels darf 0,5 Volt nicht überschreiten.

Setzen Sie den LOCAL/REMOTE Schalter auf LOCAL zurück, wenn die Fernfühlerfunktion nicht verwendet wird.

Bei Verwendung der rückseitigen Ausgänge am XPF 60-20A/P empfiehlt es sich die Fernfühlerfunktion zu nutzen, um eine stabile Ausgangsspannung zu gewährleisten. Der Anschluss kann an die Fernfühleranschlüsse auf der Vorder- oder auf der Rückseite erfolgen, jedoch nie an beide gleichzeitig. Schließen Sie die Sense-Klemmen unter Beachtung obiger Empfehlungen an die Last an und setzen Sie den Schalter LOCAL/REMOTE auf REMOTE.

## Reihen- oder Parallelschaltung mit anderen Spannungsquellen

Die Ausgänge des Netzgeräts sind galvanisch getrennt und können mit anderen Netzgeräten in Reihe geschaltet werden, um hohe Gleichstromspannungen bis zu 300 V DC zu erzeugen.



Die maximal zulässige Spannung zwischen einer Anschlussklemme und Erde ( $\perp$ ) beträgt 300 V DC.

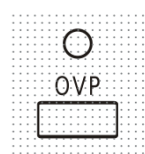
**ACHTUNG!** Spannungen dieser Größenordnung sind äußerst gefährlich. Daher müssen die Ausgangsklemmen bei Verwendung derartiger Spannung unbedingt vor Berührung geschützt werden. Auf keinen Fall dürfen die Ausgangsklemmen in einem solchen Fall berührt werden. Sämtliche Anschlüsse an den Klemmen dürfen erst dann erfolgen, wenn alle betreffenden Netzgeräte ausgeschaltet sind.

Zu beachten ist, dass das Gerät nur als Stromquelle dient und keine Ströme ableiten kann, d. h. es können keine gegenphasigen Geräte angeschlossen werden.

Das Gerät kann auch mit anderen Netzteilen parallel geschaltet werden, um eine höhere Stromabgabe zu erzielen. Werden mehrere Geräte parallel geschaltet, entspricht die Ausgangsspannung dem Gerät mit der höchsten Ausgangsspannung. Dies gilt nur, solange der Strombegrenzungswert des betreffenden Geräts nicht erreicht wird. Ist dies der Fall, fällt die Ausgangsspannung auf die nächsthöchste Einstellung ab, usw. Bei Konstantstrombetrieb können mehrere Geräte parallel geschaltet werden, um einen Strom mit der Summe der jeweiligen Stromgrenzwerte bereitzustellen. Für optimalen Betrieb sollten die Netzgeräte getrennt an die Last angeschlossen werden.

Beachten Sie, dass die Ausgangsklemmen für einen maximalen Strom von 30 A ausgelegt sind. Sollen zwei oder mehr Quellen parallel geschaltet werden, um einen höheren Strom zu erreichen, muss die Verbindung an einer anderen Stelle erfolgen und nicht an einer der Anschlussklemmen

## Schutzvorrichtungen



Der Überspannungsschutz (OVP) ist voll einstellbar im Bereich 1 V bis 66 V. Der OVP-Grenzwert wird über das per Schraubendreher einstellbare OVP-Potentiometer gesetzt, welches durch die Öffnung auf der Gerätevorderseite unmittelbar über der OVP-Taste zugänglich ist. Durch Drehen nach rechts wird der Grenzwert erhöht und kann direkt auf dem Display abgelesen werden, indem man die OVP-Taste darunter drückt. Falls die Ausgangsspannung den eingestellten OVP-Wert aus irgendeinem Grund überschreitet (einschl. externe Spannungen), wird der Ausgang abgeschaltet.

OCP (Überstromschutz) ist in der Firmware implementiert und kann nur eingerichtet und verwendet werden, wenn eine Fernsteuerung über die Schnittstellen RS232, USB, LAN (LXI) oder GPIB stattfindet (nur XPF 60-20P). Die Einstellung erfolgt in Schritten von 10 mA mit einer typischen Ansprechzeit von 500 ms. Im lokalen Modus und für XPF 60-20/A ist OCP weiterhin aktiv, stellt sich aber automatisch auf 22 Ampere ein.

Wird der Überstromschutz ausgelöst, erscheint **OVP trip** auf dem Display und die OUTPUT Lampe blinkt. Schalten Sie den Ausgang ab. Anstatt der Auslösemeldung sollten die normalen, voreingestellten Werte für V und I angezeigt werden. Nach Korrektur der Fehlerursache kann der Ausgang wieder eingeschaltet werden.

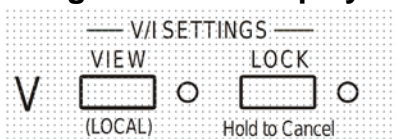
Selbst bei ausgeschaltetem Ausgang ist die Last weiterhin an die Ausgangsstufe des Netzgeräts angeschlossen. Legen Sie keine externen Spannungen über 70 V an die Klemmen des Netzgeräts an, da es sonst zu einer Beschädigung kommen kann.

Der Ausgang ist durch eine Diode gegen Rückspannungen geschützt. Diese Rückspannung darf 3 Ampere nicht überschreiten (Stromspitzen dürfen erheblich höher liegen).

## Übertemperaturschutz

Sensoren auf dem Sekundärkühlkörper erkennen Übertemperaturen aufgrund von blockierter Luftströmung, Lüfterausfall oder einem Schaltungsfehler. Bei Übertemperatur wird der Ausgang abgeschaltet – die OUTPUT Anzeige blinkt und auf dem Display erscheint die Meldung **OTP trip**. Der Ausgang bleibt auch dann ausgeschaltet, wenn sich der Kühlkörper wieder abgekühlt hat. Nachdem die Ursache der Übertemperatur behoben wurde und sich der Kühlkörper auf normale Betriebstemperatur abgekühlt hat, kann der Ausgang zurückgesetzt werden, indem man den POWER Schalter auf Standby (O), und dann wieder auf (I) schaltet.

## Einstellungen für das Display



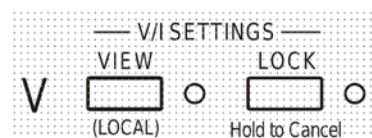
Die eingestellte Strom- und Spannungsbegrenzung wird bei ausgeschaltetem Ausgang immer auf dem Display angezeigt, kann aber auch bei eingeschaltetem Ausgang aufgerufen werden, indem man die VIEW Taste drückt. Die VIEW Lampe leuchtet auf, wenn die VIEW Taste gedrückt ist.

## Einstellungen für die Verriegelung

Durch Drücken der Taste LOCK wird die Strom- und Spannungsbegrenzung digital verriegelt. Die Einstellungen werden mit hoher Genauigkeit (besser als 1 Stelle) gespeichert. Anschließende Veränderungen der Regler VOLTAGE und CURRENT bleiben wirkungslos.

Da eine Annullierung von LOCK zu einer Änderung der Ausgangseinstellungen führen würde, falls die Einstellung für VOLTAGE und CURRENT in der Zwischenzeit verändert wurde, erscheinen Warnmeldungen, bevor eine Annullierung der Funktion LOCK möglich ist. Hierzu die Taste gedrückt halten, um LOCK zu annullieren.

Bei abgeschaltetem Ausgang (sicherer Zustand) blinken die „unverriegelten“ Einstellungen zweimal kurz im Display auf, bevor die Änderung durchgeführt wird. Die LOCK Leuchte geht dann aus.



Wenn der Ausgang noch eingeschaltet ist, blinkt OP on (Ausgang Ein) zweimal im Display, gefolgt von einer 2-3 Sekunden währenden Blinkanzeige der neuen ‚unverriegelten‘ Einstellungen (erst langsam, dann schneller), bevor die Änderung schließlich durchgeführt wird. Die LOCK Lampe erlischt, wenn die Änderung erfolgt ist.

Beim Loslassen der Taste LOCK, während das Display blinkt, wird die Deaktivierung der LOCK Funktion abgebrochen.

Die Wahl eines anderen Bereichs bei aktiviertem LOCK ist nicht möglich. In diesem Fall erscheint kurz die Meldung **Unloc** im Display und die LOCK Lampe blinkt. Wird ein solcher Versuch bei eingeschaltetem Ausgang unternommen, erscheint zunächst die Meldung **turn OFF** im Display (zusammen mit blinkender Ausgangslampe), gefolgt von der Meldung **Unloc** (mit blinkender LOCK Lampe).

Der LOCK Status ist beim Einschalten der gleiche wie beim letzten Ausschalten.

# Analogfernsteuerung (nur XPF 60-20A)

Die Analogfernsteuerung von Ausgangsspannung und Strom ist über externe Steuerspannungen möglich, die an den Eingängen CV bzw. CC und Return (TRN) auf der Geräterückseite angelegt werden. Diese Eingänge sind vom Ausgang isoliert. Die Isolationsspannung in Bezug auf den Ausgang beträgt max. 300 V. Die Eingänge sind gegen Überspannungen bis zu 60 V geschützt.

Die Steuerspannungen  $V_{out}$  und  $I_{out}$  eines Master-Geräts können auch zur Steuerung eines Slave-Geräts über die CV bzw. CC Eingänge des Slave-Geräts verwendet werden.

## Analoge Spannungssteuerung

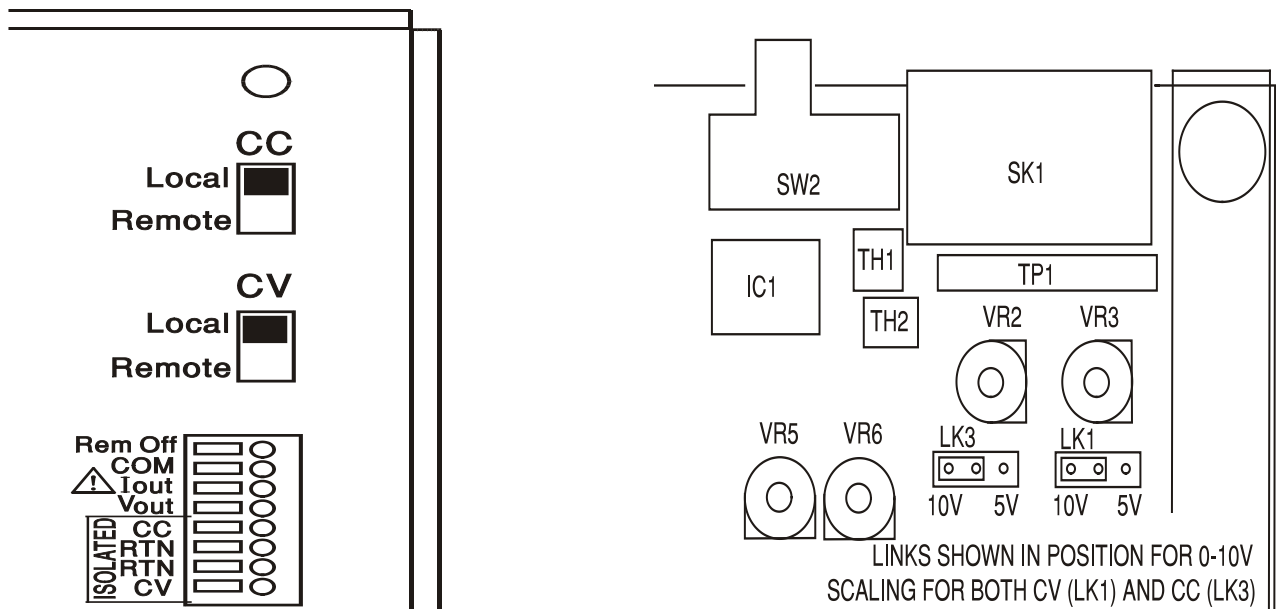
Die Fernsteuerung der Spannung erfolgt, indem der rückseitige Schalter CV auf REMOTE gesetzt, und eine Programmierspannung zwischen den Eingängen CV und RTN angelegt wird.

Wenn der CV Schalter auf REMOTE steht, sind die Spannungsregler und die Spannungsbereichswahl auf der Vorderseite deaktiviert. Setzen Sie den Schalter auf LOCAL zurück, um wieder den Regler auf der Vorderseite benutzen zu können.

Die Standardskalierung der Eingangsspannung liegt zwischen 0V und 5V, um 0 bis 100% der maximalen Ausgangsspannung zu erreichen. Durch Ändern einer internen Brücke kann die Eingangsspannung auch auf den Bereich 0 V bis 10 V skaliert werden. Trennen Sie das Gerät von der Wechselstromversorgung und nehmen Sie den Deckel nach folgender Anweisung ab. Entfernen Sie die beiden Plastikdrucknieten an allen Seitenkanten des Deckels. Nehmen Sie einen kleinen Schraubendreher zur Hand, um zuerst den Nietkopf und danach die gesamte Niethülse herauszuhebeln. Entfernen Sie die drei Schrauben auf der Rückwand zur Befestigung des Deckels - schieben Sie dann den Deckel nach hinten und nehmen Sie ihn ab.

Versetzen Sie die hohe Brücke LK1 auf den mittleren und '10V' Pin, anstatt auf Mitte und '5V' (siehe Draufsicht der folgenden Abbildung).

Die Spannungsfernsteuerung kann bei lokaler oder ferngesteuerter Strombegrenzung verwendet werden.



Die Fernsteuerung des Konstantstroms erfolgt, indem der rückseitige Schalter CC auf REMOTE gesetzt, und eine Programmierspannung zwischen den Eingängen CC und RTN angelegt wird. Wenn der CC Schalter auf REMOTE steht, sind Stromregler (CURRENT) und die Strombereichswahl auf der Vorderseite deaktiviert. Setzen Sie den Schalter auf LOCAL zurück, um wieder den Regler auf der Vorderseite benutzen zu können.

Die Standardskalierung der Eingangsspannung liegt zwischen 0V und 5V, um 0 bis 100% des maximalen Ausgangsstroms zu erreichen. Durch Ändern einer internen Brücke kann die Eingangsspannung auch auf den Bereich 0 V bis 10 V skaliert werden. Trennen Sie das Gerät von der Wechselstromversorgung und nehmen Sie den Deckel nach folgender Anweisung ab.

Entfernen Sie die Plastikdrucknieten an allen Seitenkanten des Deckels. Nehmen Sie einen kleinen Schraubendreher zur Hand, um zuerst den Nietkopf und danach die gesamte Niethülse herauszuhebeln. Entfernen Sie die drei Schrauben auf der Rückwand zur Befestigung des Deckels - schieben Sie dann den Deckel nach hinten und nehmen Sie ihn ab.

Versetzen Sie die hohe Brücke LK3 auf den mittleren und '10V' Pin, anstatt auf Mitte und '5V' (siehe Draufsicht der folgenden Abbildung).

Die Stromfernsteuerung kann bei lokaler oder ferngesteuerter Spannungssteuerung verwendet werden.



**ACHTUNG** Legen Sie zwischen den Klemmen CC bzw. CV keine externe Steuerspannung an, die den Maximalwert des gewählten Bereichs (5V oder 10V) überschreitet. Zwar sind die Eingänge gegen Überspannung geschützt, aber das Gerät versucht eine Ausgangsspannung/Stromabgabe über dem maximalen Nennwert zu erzeugen, wenn die Steuerspannung den Grenzwert überschreitet. Dies kann zu Folgeschäden führen.

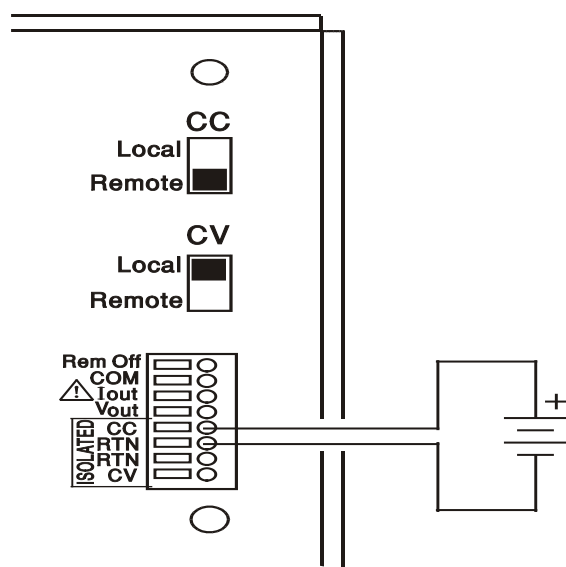
### Praktische Überlegungen bei der Verwendung von CV und CC

Die Stabilität der Steuerspannungen wirkt sich direkt auf die Stabilität des Ausgangs aus. Jegliche Störungen der Steuersignale resultieren in Störungen des Ausgangs. Um diese möglichst gering zu halten verwenden Sie verdrehte oder abgeschirmte Leitungspaare (nur an einem Ende geerdet) für den Anschluss der Steuerspannung an die CV, CC und RTN Eingänge und halten Sie die Verbindung so kurz wie möglich.

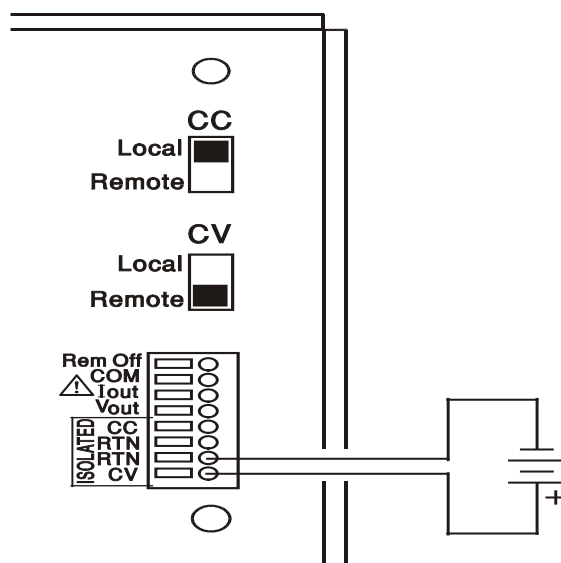
Beachten Sie, dass das Ausgangsrauschen bei Verwendung der analogen Fernsteuerung aufgrund des Eigenrauschens der Isoliereingangsschaltung per se etwas höher liegt (siehe Technische Daten).

Die folgenden Zeichnungen zeigen die Anschlüsse für Konstantspannung (CV) und Konstantstrom (CC) bei Verwendung einer externen Steuerspannung.

#### Konstantspannungssteuerung



#### Konstantstromsteuerung



Bei eingeschaltetem OUTPUT zeigt das Display auf dem Gerät immer die aktuellen Werte für Ausgangsspannung und Strom, ganz gleich welche Steuerungsquelle verwendet wird. Ist der



OUTPUT jedoch ausgeschaltet, zeigt das Display die mit den Reglern auf der Vorderseite eingestellten Werte für Strom und Spannung an (oder die Werte der Digitalschnittstelle, falls aktiv) und nicht die Werte für die CV und CC Eingänge, selbst wenn diese aktiv sind (CV und CC stehen auf REMOTE). Um Verwechslungen zu vermeiden, sollten die vorderen Regler immer ganz heruntergedreht sein, wenn CV und CC verwendet werden.

## Steuerspannungen des Analogausgangs

Die Steuerspannungen  $V_{out}$  und  $I_{out}$  des Analogausgangs werden aus den aktuellen internen Steuerspannungen erzeugt. Diese wiederum können von den Reglern auf der Gerätevorderseite oder von den ferngesteuerten Analogeingängen CV und CC stammen.  $V_{out}$  und  $I_{out}$  sind so skaliert, dass 0 bis 100% der maximalen Ausgangsspannung bzw. des maximalen Ausgangstroms 0V bis 5V an den Klemmen  $V_{out}$  und  $I_{out}$  auf der Geräterückseite erzeugen (in Bezug auf COM).  $I_{out}$  entspricht immer dem eingestellten Strom, ganz gleich ob der Ausgang ein- oder ausgeschaltet ist. Dagegen geht  $V_{out}$  auf 0V, wenn der Ausgang ausgeschaltet wird.

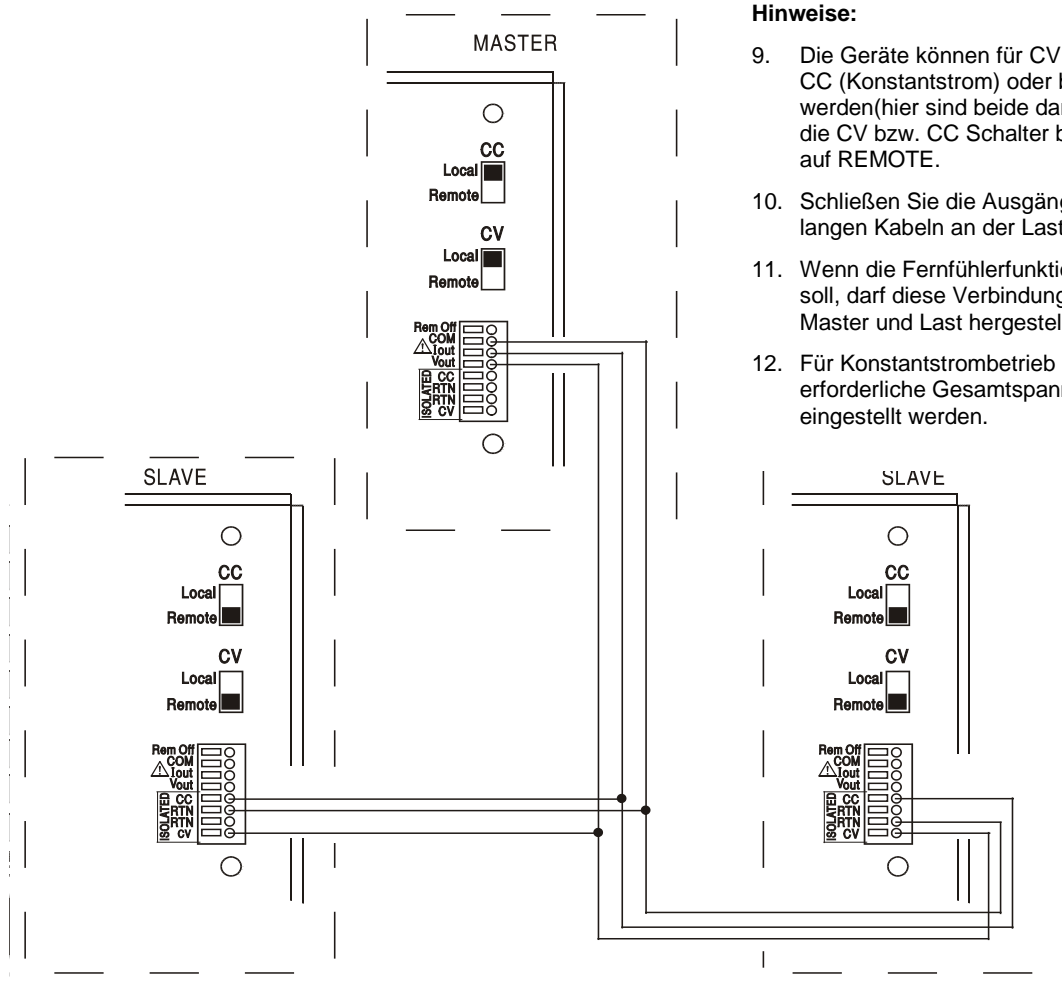


**Achtung! COM bezieht sich auf die Ausgangssteuerschaltung und liegt innerhalb von ~1 V der positiven Ausgangsspannung.  $V_{OUT}$  und  $I_{OUT}$  liegen immer an den Klemmen an.**

## Parallelbetrieb in Master-Slave Konfiguration

Der Parallelbetrieb in einer Master-Slave Konfiguration ermöglicht höhere Ausgangsströme mit gleicher Stromverteilung zwischen den Geräten, wobei sowohl Strom als auch Spannung von nur einem Gerät gesteuert werden. Das Diagramm zeigt 3 parallel geschaltete Geräte. Um eine gleichmäßige Stromverteilung zu erreichen, muss jedes Gerät getrennt an die Last gekoppelt werden, wobei identische Querschnitte und Leitungslängen erforderlich sind um den gleichen Spannungsabfall zu erreichen. Verbinden Sie  $V_{out}$ ,  $I_{out}$  und COM des Master-Geräts mit den CV, CC und RTN Eingängen der Slave-Geräte. Setzen Sie die Schalter CV und CC auf REMOTE (siehe Abbildung).

### Parallelbetrieb in Master-Slave Konfiguration



#### Hinweise:

9. Die Geräte können für CV (Konstantspannung, CC (Konstantstrom) oder beide verdrahtet werden (hier sind beide dargestellt). Setzen Sie die CV bzw. CC Schalter beider Slave-Geräte auf REMOTE.
10. Schließen Sie die Ausgänge parallel mit gleich langen Kabeln an der Last an.
11. Wenn die Fernfühlerfunktion verwendet werden soll, darf diese Verbindung nur zwischen Master und Last hergestellt werden.
12. Für Konstantstrombetrieb muss die erforderliche Gesamtspannung am Master eingestellt werden.

Die Spannungs- und Stromeinstellung des Masters kann über die vorderen Regler, die digitale Schnittstelle oder über eine externe Spannung an den CV und CC Steuereingängen erfolgen.

Im Konstantspannungsbetrieb entspricht die Spannung an der Last der auf dem Master eingestellten Spannung (über Frontregler, Digitalschnittstelle oder CV-Steuereingang). Die Strombegrenzung des Systems (d. h. der Strom im Konstantstrombetrieb) entspricht dem auf dem Master eingestellten Strombegrenzungswert ( $\times n$ ), wobei  $n$  die Gesamtzahl der parallel angeschlossenen Geräte ist.

### Isolierter oder Reihenbetrieb in Master-Slave Konfiguration

Ein isolierter oder Reihenbetrieb in Master-Slave Konfiguration ermöglicht das Tracking von Ausgangsspannung und Strombegrenzungen, die von einem Einzelgerät aus für mehrere Geräte eingestellt werden können. Die Abbildung zeigt 2 in Serie geschaltete Geräte für das Tracking der Spannung und der Strombegrenzung. Verbinden Sie  $V_{out}$ ,  $I_{out}$  und COM des Master-Geräts mit den CV, CC und RTN Eingängen der Slave-Geräte. Setzen Sie die Schalter CV und CC auf REMOTE (siehe Abbildung).

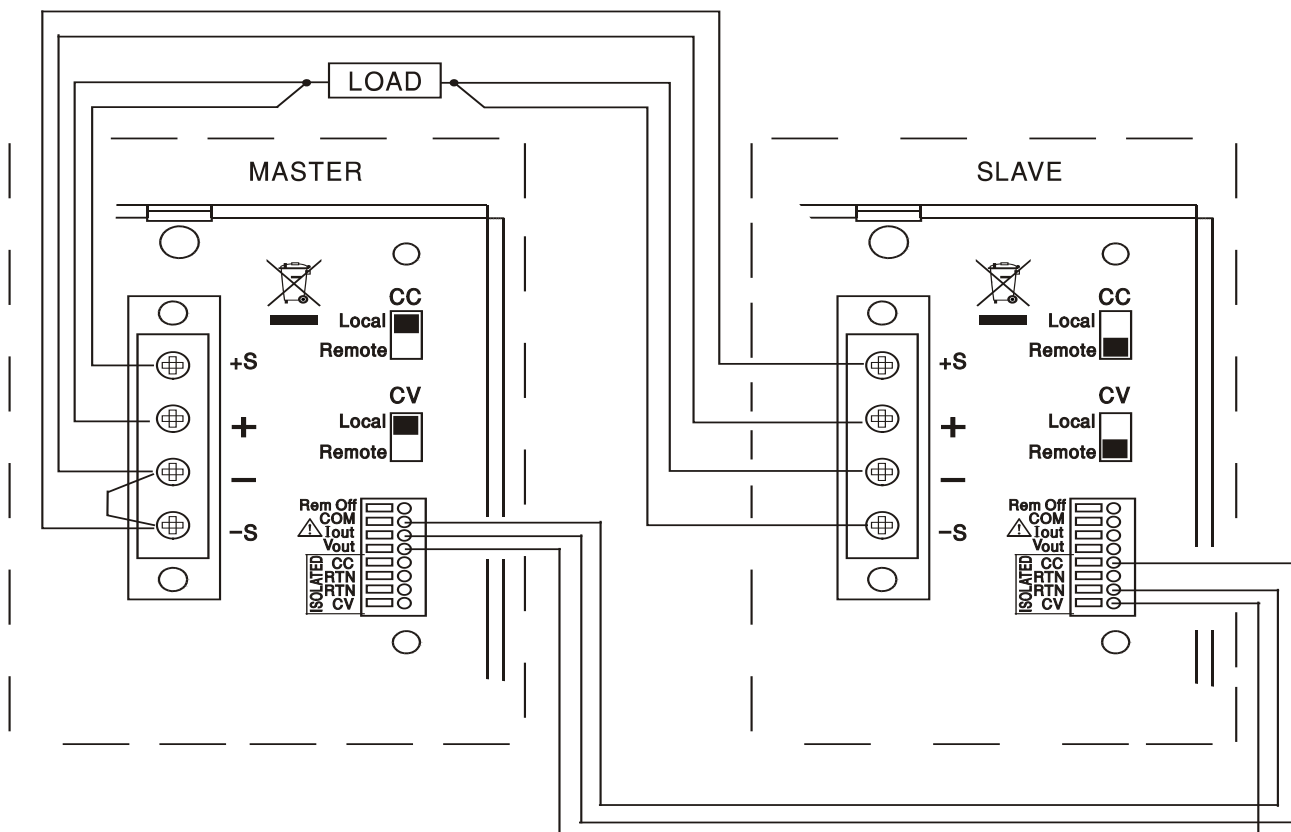


Diagram shows remote sense connections, set the sense switch to remote. If remote sensing is not required, do not use the sense wires and set the sense switch to local.

If independent current limits are required set CC to Local and set the limits from the front panel of each unit.



**Warning!** In series operation take care not to exceed the maximum rated operating voltage (300V) of any terminal with respect to earth ground ( $\perp$ ).

#### Remote Off

A switch closure or logic low between the rear panel Rem Off and COM inputs will remotely turn off the output if it was previously on; the front panel OUTPUT lamp will also go off. Opening the switch between Rem Off and COM will turn the output on again.



**Warning!** COM is referenced to the output control circuit and will be within ~1V of the positive output potential.



---

## Ferngesteuerter Betrieb (nur XPF 60-20P)

Das Gerät kann über seine RS232-, USB-, LAN- oder GPIB-Schnittstellen ferngesteuert werden.

Die USB-Fernsteuerung funktioniert ähnlich wie bei der RS232 Schnittstelle, jedoch über den USB-Anschluss. Die mit dem Gerät gelieferte Software richtet den steuernden Computer darauf ein, den USB-Anschluss als virtuellen COM-Port zu behandeln. Die Anwendungssoftware auf dem Computer kann dann über den COM-Port auf das Gerät zugreifen.

Die LAN-Schnittstelle entspricht LXI (Lan eXtensions for Instrumentation) Version 1.2; das Gerät ist Class C konform. Eine Fernsteuerung über die LAN-Schnittstelle ist über das TCP/IP Sockets Protokoll möglich. Das Gerät enthält auch einen einfachen Web-Server mit Informationen zum Gerät, der die Konfiguration von einem Web-Browser aus ermöglicht. Eine einfache Befehlszeilensteuerung vom Browser aus ist ebenfalls möglich.

Alle Schnittstellen sind standardmäßig zu jeder Zeit aktiviert (wie von der LXI Spezifikation gefordert), der Zugang zu einzelnen Schnittstellen kann jedoch über die Konfigurationsoptionen auf den Webseiten eingeschränkt werden.

### Sperren der Schnittstellen

Alle Schnittstelle sind jederzeit aktiviert; dadurch braucht die aktive Schnittstelle nicht speziell gewählt werden (siehe LXI Spezifikation). Damit das Gerät nicht versehentlich gleichzeitig von zwei Schnittstellen gesteuert wird, enthält der Befehlssatz einen einfachen Sperr- und Freigabemechanismus. Die Sperrung wird automatisch aufgehoben, wenn eine Trennung festgestellt werden kann oder wenn die Taste „LOCAL“ gedrückt wird. Der Zugriff auf die Schnittstellen kann auch über die Webseiten beschränkt werden.

Jede Schnittstelle kann durch Senden des Befehls „IFLOCK“ eine exklusive Steuerung des Geräts anfordern. Die Sperre wird nur aufgehoben, wenn der Befehl „IFUNLOCK“ von der aktuell gesperrten Schnittstelle gesendet wird. Andere Schnittstellen können den Schnittstellen-Status mit dem Befehl „IFLOCK?“ abfragen. Die Antwort auf diese Befehle lautet „-1“, wenn die Sperre bereits von einer anderen Schnittstelle in Anspruch genommen wird, „0“ wenn die Schnittstelle frei ist und „1“ wenn die fragende Schnittstelle bereits gesperrt ist. Wird ein Befehl von einer Schnittstelle ohne Steuerrechte gesendet, der versucht den Gerätestatus zu ändern, so wird Bit 4 des Standard Event Status Registers und 200 in das Execution Error Register gesetzt, um darauf hinzuweisen, dass für die gewünschte Aktivität keine ausreichenden Rechte vorhanden sind.

**Hinweis:** Die Rechte für eine Schnittstelle können über die Webseite auch auf 'schreibgeschützt' oder auf 'kein Zugriff' gesetzt werden.

### Einstellen der Adresse

Die Adressierungsfähigkeit wird eigentlich nur von der GPIB Schnittstelle benötigt. Der ADDRESS?-Befehl kann jedoch von allen Schnittstellen zur einfachen Identifizierung des von einem bestimmten COM-Port (bei RS232 oder USB) bzw. TCP-Socket (bei LAN) gesteuerten Geräts verwendet werden. Beachten Sie, dass die LAN Schnittstelle auch eine getrennte Identifizierungsfunktion besitzt, die von der Webseite des Geräts aus zugänglich ist und dazu führt, dass das Gerät so lange blinkt, bis der Befehl beendet wird.

Die Adresse wird auf der Gerätevorderseite wie folgt eingestellt. Beginnen Sie bei ausgeschaltetem Gerät und schalten Sie das Gerät bei gedrückten Tasten für VIEW und LOCK ein. Das Display zeigt **Addr** auf der Spannungsanzeige und **nn** auf der Stromanzeige, wobei **nn** die aktuelle Einstellung repräsentiert (Standardadresse **Addr 11** ). Die Adresse kann mit den Tasten VIEW und LOCK im Bereich 1 bis 31 inklusive (ohne 0) jeweils durchgehend nach unten und oben gesetzt werden. Die Adresse wird bestätigt und der Vorgang beendet, indem Sie die Taste OVP gedrückt halten. Auf dem Display erscheinen etwas 2 Sekunden lang **set** und die neue Adresse. Nachdem die neue Adresse akzeptiert worden ist, geht das Display auf die normale Strom- und Spannungsanzeige zurück.

Die Adresse kann auch über die Webseite des Geräts eingestellt werden.

## Ferngesteuerter/Lokaler Betrieb

Nach dem Einschalten befindet sich das Gerät im Modus Lokalbetrieb, die REMOTE Anzeige leuchtet nicht. In diesem Zustand sind alle Einstellungen auf der Gerätevorderseite möglich. Wird das Gerät per Schnittstelle angesteuert und ein Befehl empfangen, schaltet das Gerät auf Fernbedienung und REMOTE wird aktiviert. In diesem Modus ist eine Bedienung nur über die Fernsteuerbefehle möglich. Die Einstellungen für V/I,  $V_{TRACK}$  Status und Ausgangsstatus bleiben unverändert, nur LOCK wird deaktiviert (falls eingeschaltet) und die Bereichseinstellung wird auf 60V/20A gesetzt. Die Fernfühlereinstellungen richten sich nach den Schalterstellungen auf der Gerätevorderseite.

Das Gerät kann durch Drücken der LOCAL Taste wieder auf lokal umgeschaltet werden. Der Zustand hält so lange an, bis das Gerät wieder adressiert wird oder über die Schnittstelle ein weiteres Zeichen empfängt. Dann ist es wieder im Remote-Status. Wird der Lokal-Modus auf diese Weise oder über den Befehl LOCAL wiederhergestellt, so bleiben die zuletzt per Fernsteuerung empfangenen Werte für V/I erhalten. Die Funktion „LOCK“ ist aktiviert und der Ausgang verbleibt im jeweiligen Status.

## RS232-Schnittstelle

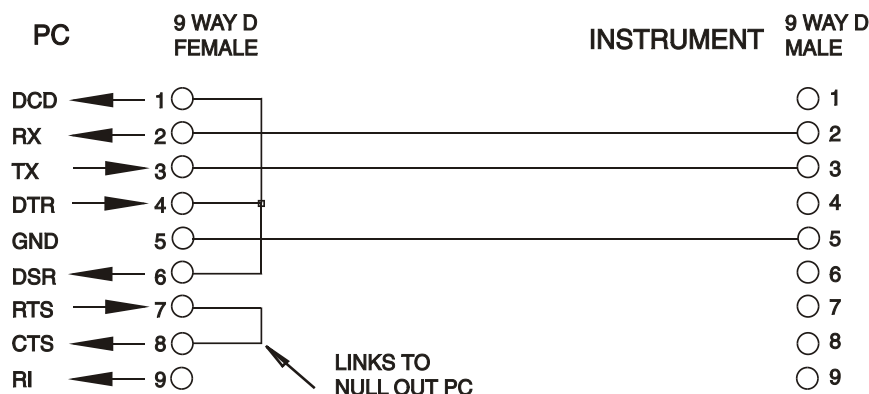
### Schnittstellenanschluss RS232

Der 9-polige Steckverbinder (Typ D) für die serielle Schnittstelle befindet sich auf der Geräterückwand. Die Pinbelegung ist wie folgt:

Pin	Bez.	Beschreibung
1	RI	Passive Bestimmung (+V durch 10 k $\Omega$ )
2	TXD	Übertragungsdaten vom Gerät
3	RXD	Empfangsdaten zum Gerät
4	CTS	
5	GND	Signalmasse
6	RTS	Passive Bestimmung (+V durch 10 k $\Omega$ )
7	DSR	Keine interne Verbindung
8	DTR	
9	CD	Keine interne Verbindung

### RS232-Anschlüsse

Die RS232 Schnittstelle muss mithilfe eines vollverdrahteten Kabels (männlich-weiblich 1:1) ohne überkreuzende Verbindungen an einen standardmäßigen PC-Port angeschlossen werden. Alternativ werden nur die Pins 2, 3 und 5 an den PC angeschlossen, doch müssen Verbindungen im PC-Anschluss zwischen den Pins 1, 4 und 6 sowie 7 und 8 hergestellt werden (siehe Diagramm).



---

Die Baud-Rate ist für dieses Gerät mit 9600 festgelegt, die anderen Parameter haben folgende Werte:

Start Bits: 1

Parität: keine

Data Bits: 8

Stopbits: 1

## RS232-Zeichensatz

Aufgrund des erforderlichen XON/XOFF-Protokolls stehen zur Datenübertragung nur ASCII-kodierte Zeichen zur Verfügung, binäre Blöcke sind nicht zulässig. Bit 7 des ASCII-Codes wird ignoriert, d.h. als Low angenommen. In der Befehlsmnemonik wird nicht zwischen Groß- und Kleinschreibung unterschieden, sie kann auch vermischt werden. Die ASCII-Codes unter 20H (Leerzeichen) werden nicht verwendet. In diesem Handbuch steht 20H usw. für 20 hexadezimal usw. Das Gerät sendet XOFF, wenn 50 freie Bytes verbleiben und XON, wenn sich dieser Wert auf 100 Bytes erhöht.

## USB-Schnittstelle

Die USB-Schnittstelle ist ein virtueller COM-Port, der vom PC so gesteuert werden kann, als handele es sich um ein RS232 Gerät. Dem Gerät liegt eine CD mit einer „inf-Datei“ für die standardmäßigen Microsoft-Treiber in Windows 2000, XP, Vista und Windows 7 bei. Der Installationsassistent installiert den jeweiligen Treiber (32-Bit oder 64-Bit) für das Betriebssystem des PCs. Treiber-Updates sind auf der Tti-Website [www.tti-test.com](http://www.tti-test.com) erhältlich.

Die Installation des Schnittstellentreibers erfolgt, indem das Gerät über ein normales USB-Kabel an einen PC angeschlossen wird. Durch die „Plug-and-Play“ Funktionalität unter Windows wird die am USB-Port angeschlossene neue Hardware normalerweise automatisch erkannt. Beim erstmaligen Anschluss des Geräts fragt Windows daraufhin nach dem Pfad des entsprechenden Treibers. Nach korrekter Eingabe der entsprechenden Informationen installiert Windows nun den geeigneten Treiber und richtet im PC einen virtuellen COM-Port ein. Die Nummer des neuen COM-Ports richtet sich nach der Anzahl der bereits vorhandenen COM-Schnittstellen im PC. Dieser virtuelle COM-Port kann von Windows genau wie jeder andere normale COM-Port angesprochen werden, ausgenommen dass die Baudrateneinstellung des virtuellen COM-Port ignoriert wird.

Der installierte Treiber verbleibt auf dem PC, sodass der virtuelle COM-Port in Zukunft automatisch eingerichtet wird, sobald das Gerät über USB an den PC angeschlossen wird.

Weitere virtuelle COM-Ports werden für jedes zusätzliche, über USB an den PC angeschlossene Gerät erstellt. Jedem Gerät wird bei seinem ersten Anschluss ein separater virtueller COM-Port zugewiesen, und derselbe COM-Port wird bei jedem darauf folgenden Anschluss erneut zugewiesen. Die PC-Software nutzt den in jedem Gerät enthaltenen eindeutigen Code zur Verbindung mit demselben virtuellen COM-Port unabhängig vom physikalischen USB-Port, an den es angeschlossen ist.

Der Befehl ADDRESS? kann ebenfalls zur einfachen Identifizierung des von einem bestimmten COM-Port gesteuerten Geräts verwendet werden. Obwohl die Adressierungsfähigkeit beim USB-Betrieb ignoriert wird, kann die Adresse weiterhin eingestellt und als Kennung verwendet werden. Stellen Sie jedes USB-verbundene Gerät auf eine unterschiedliche Adresse und schicken Sie den ADDRESS?-Befehl von jedem virtuellen COM-Port zur Bestätigung des an den Port angeschlossenen Geräts.

## LAN-Schnittstelle

Die LAN-Schnittstelle entspricht LXI ( Lan eXtensions for Instrumentation) Version 1.2 und umfasst die folgenden Schnittstellen und Protokolle. Da es durchaus möglich ist, die LAN-Schnittstelle derart falsch zu konfigurieren, dass ein Datenaustausch per LAN nicht mehr möglich ist, besitzt das Gerät auf der Rückseite einen versenkten Schalter, sodass ein Zurücksetzen auf die Werksvoreinstellung mithilfe des LCI (LAN Configuration Initialise) Mechanismus möglich ist. Standardmäßig versucht das Gerät sich Einstellungen über DHCP zu holen. Ist dies nach 30 Sekunden nicht erfolgreich (DHCP-Timeout), erfolgt ein Wechsel auf Auto-IP. Im unwahrscheinlichen Fall, dass keine Auto-IP Adresse gefunden werden kann, wird eine statische IP-Adresse (192.168.0.100) zugewiesen. Durch Zurücksetzen des LAN wird ein etwaiger Passwortschutz entfernt.

Weitere Informationen zu den LXI Spezifikationen finden Sie auf [www.lxistandard.org/home](http://www.lxistandard.org/home).

---

## LAN Verbindung

Um die LAN-Schnittstelle verwenden zu können, muss die IP-Adresse des Geräts bekannt sein. Auf der mitgelieferten CD-ROM befindet sich das LXI Discovery Tool, mit dessen Hilfe die IP-Adresse (und weitere Informationen) aller angeschlossenen Geräte angezeigt werden kann, die dem VXI-11 Discovery Protokoll entsprechen. Bei diesem Tool handelt es sich um ein Windows PC Programm, das auf dem steuernden PC installiert und ausgeführt werden muss. Das Gerät wird hierbei entweder direkt über den PC Netzwerkanschluss oder über einen Router verbunden. Die Verbindung über einen Router bietet den Vorteil, dass sich eine IP-Adresse erheblich schneller zuweisen lässt. Bei einer Direktverbindung mit dem PC findet die Zuweisung erst nach dem 30 Sekunden währenden DHCP-Timeout statt. Durch Doppelklick auf einen Eintrag in der Geräteliste wird der Web-Browser des PCs gestartet und die Homepage des jeweiligen Geräts angezeigt. Zusätzlich sind Tools für die LAN Discovery im Rahmen der Programmpakete „National Instruments Measurement and Automation Explorer“ sowie „Agilent Vee“ vorhanden.

Beim Einschalten versucht das Gerät sich Einstellungen über DHCP zu holen. Ist dies nach 30 Sekunden nicht erfolgreich (DHCP-Timeout), erfolgt ein Wechsel auf Auto-IP. Im unwahrscheinlichen Fall, dass keine Auto-IP Adresse gefunden werden kann, wird eine statische IP-Adresse (192.168.0.100) zugewiesen. Während dieser Zeit leuchtet die LAN-Lampe und bleibt an, sofern eine erfolgreiche LAN-Verbindung zustande gekommen ist. Ist jedoch nach Abschluss des obigen Vorgangs immer noch keine Verbindung vorhanden, oder wenn der LAN-Stecker abgezogen wurde, geht die LAN-Lampe aus (siehe Abschnitt „LAN-Fehler“).

### Webserver; Konfiguration des Passwortschutzes

Das Gerät enthält einen einfachen Webserver. Dieser liefert Informationen zum Gerät und ermöglicht die Konfiguration. Die Konfigurationsseite kann mit einem Passwort geschützt werden, um unbefugte Änderungen der Konfiguration für den Fernsteuerbetrieb zu verhindern.

Auf der eigentlichen Konfigurationsseite wird erklärt, wie das Passwort gesetzt werden kann. Das Passwort darf bis zu 15 Zeichen lang sein. Beachten Sie, dass der **Benutzername (User Name) leer bleiben muss**. Beim Zurücksetzen aller LAN-Parameter auf die Werksvoreinstellung über den LAN RESET Schalter auf der Geräterückseite wird auch das Passwort auf die Standardeinstellung (kein Passwort) zurückgesetzt.

Die Webseiten verfügen über eine Identifizierungsfunktion, sodass der Benutzer einen Identifizierungsbefehl zum Gerät senden kann. Daraufhin blinkt dessen Display, bis der Befehl aufgehoben wird.

### ICMP Ping-Server

Das Gerät enthält einen ICMP-Server, um das Gerät entweder über den Hostnamen oder die IP-Adresse per Ping-Befehl anzusprechen.

### VXI-11 Discovery Protokoll

Das Gerät unterstützt stark eingeschränkt das VXI-11 Protokoll, sodass lediglich eine Instrumentenerkennung möglich ist.

Das Gerät implementiert einen Sun RPC Port-Mapper auf TCP Port 111 und UDP Port 111 (siehe RPC1183). Folgende Aufrufe stehen zur Verfügung: NULL, GET PORT und DUMP.

Auf TCP Port 1024 wird ein sehr einfaches VXI-11 Protokoll implementiert, das zur Instrumentenerkennung ausreicht. Hier werden folgende Aufrufe unterstützt: CREATE LINK, DEVICE\_WRITE, DEVICE\_READ und DESTROY\_LINK.

Nach Herstellung der Verbindung werden alle weiteren Informationen vom Gerät ignoriert und es wird lediglich der Identifizierungs-String wie bei einem “\*IDN?” Befehl in folgender Form ausgegeben:

*‘Hersteller,Modell,Seriennr.,X.xx – Y.yy’*

*Zum Beispiel:*

*SORENSEN, XPF 60-20P, 279730, 1.00 – 1.00*

wobei ‘X.xx’ die Revisionsnummer der Main-Firmware und ‘Y.yy’ die Revisionsnummer der Interface-Firmware angibt. Die Interface-Firmware ist über den USB-Port vom Benutzer vor Ort aktualisierbar.

---

## VISA Resource-Name

Aufgrund der eingeschränkten Unterstützung für das VXI-11 Protokoll (nur Discovery Protocol), muss das Gerät über seine Raw-Socket-Informationen aufgerufen werden, wenn es in Zusammenhang mit Anwendungen verwendet wird, die über einen VISA Resource-Namen kommunizieren. So hätte z. B. ein Gerät mit IP-Adresse 192.168.1.100 normalerweise den VISA Resource-Namen "TCPIP0::192.168.1.100::inst0::INSTR", der aber für dieses Gerät modifiziert werden muss auf "TCPIP0::192.168.1.100::9221::SOCKET", wobei 9221 der vom Gerät verwendete TCP-Port für Steuerung und Überwachung ist (siehe unten).

## XML Identifikationsdokument URL

Wie von der LXI Norm gefordert, stellt das Gerät ein „XML Identification Document“ bereit, das über einen GET Befehl unter "http://<hostname>:80/lxi/identification" abgefragt werden kann. Es entspricht dem LXI XSD Schema (siehe <http://www.lxi-standard.org/InstrumentIdentification/1.0>) und dem W3C XML Schema (<http://www.w3.org/XML/Schema>). Dieses Dokument beschreibt das Gerät.

## TCP Sockets

Das Gerät verwendet 2 Sockets auf TCP Port 9221 für die Gerätesteuerung und Überwachung. An diesen Port werden die im Abschnitt 'Fernsteuerbefehle' beschriebenen Befehle gesendet. Die Antwort erfolgt über den gleichen Port. Eine Zeichenkette muss aus ein oder mehreren vollständigen Befehlen bestehen. Befehle können durch ein Semikolon (;) oder einen Zeilenvorschub getrennt werden. Ein Trennzeichen ist nicht erforderlich, da der TCP Rahmen vollständige Befehle enthält. Befehle können zwar mit Trennzeichen gesendet werden, dieses wird jedoch ignoriert. Jeder Befehl über TCP verhält sich, als ob er mit einem Command Terminator (ASCII Zeichen 0AH, Zeilenvorschub) abgeschlossen wurde.

## LAN Fehler

Wenn nach Herstellung einer LAN Verbindung ein Fehler festgestellt worden ist (z. B. gleiche IP-Adresse wie ein anderes Gerät im Netzwerk), geht die LAN-Lampe (über der Messanzeige für Ausgang 2) aus, bis der Fehler behoben wurde. Bei Auftreten eines LAN Fehlers muss die Gerätekonfiguration geprüft und ggf. korrigiert werden. Über einen versenkten Schalter auf der Rückseite (LAN RESET) kann das Gerät mittels LAN Configuration Initialize (LCI) Mechanismus auf die Werkseinstellung zurückgesetzt werden. Standardmäßig versucht das Gerät sich Einstellungen über DHCP zu holen. Ist dies nach 30 Sekunden nicht erfolgreich (DHCP-Timeout) erfolgt ein Wechsel auf Auto-IP. Im unwahrscheinlichen Fall, dass keine Auto-IP Adresse gefunden werden kann, wird eine statische IP-Adresse (192.168.0.100) zugewiesen.

Wenn überhaupt kein physischer LAN-Anschluss erkannt wird, bleibt die LAN-Lampe aus.

## GPIO-Schnittstelle

Der 24-polige Steckverbinder für die GPIO-Schnittstelle befindet sich auf der Geräterückseite. Die Pinbelegung ist wie folgt: 488.1-1987 und das Gerät entspricht IEEE Std. 488.1-1987 und IEEE Std. 488.2-1987.

## GPIO Befehlsätze

Das Gerät ist mit folgenden IEEE 488.1 Befehlsätzen versehen:

Source Handshake (Handshake-Quellenfunktion)	SH1
Acceptor Handshake (Handshake-Senkenfunktion)	AH1
Talker (Sprecherfunktion mit Serienabfrage und automatischer Entadressierung, ohne Sekundäradresse und ohne Nur-Sprechen-Betrieb)	T6
Listener (Hörer-Funktion mit automatischer Entadressierung, ohne Sekundäradresse und ohne Nur-Hören-Betrieb)	L4
Service Request (Bedienungsruf-Funktion)	SR1
Remote Local (Fern- / Handbedienungs-Umschaltfunktion mit Verriegelung)	RL2
Parallel Poll (Parallelabfrage-Funktion mit Ferneinstellung)	PP1

Device Clear (Rücksetz-Funktion ink)	DC1
Device Trigger (Auslöse-Funktion)	DT0
Controller (Controller-Funktion)	C0
Electrical Interface (Open-Collector-Treiber)	E2

### GPIB Fehlerbehandlung nach IEEE Std. 488.2 – Query Error Register

Der Fehler UNTERMINATED nach IEEE 488.2 (Kommunikation aktiviert, doch nichts zu berichten) wird wie folgt behandelt: Ist das Gerät auf Kommunikation gestellt, der Antwortformatierer jedoch nicht aktiv und die Eingangswarteschlange leer, so wird ein UNTERMINATED-Fehler generiert. Dies bewirkt, dass ein Query Error-Bit im Standard Event Status Register gesetzt, der Wert von 3 ins Query Error Register geschrieben und der Parser zurückgesetzt wird. Weitere Informationen entnehmen Sie bitte dem Abschnitt „Status-Berichterstattung“.

Der Fehler INTERRUPTED nach IEEE 488.2 wird wie folgt behandelt: Wartet der Antwortformatierer auf das Senden einer Antwort und wurde vom Parser ein <PROGRAM MESSAGE TERMINATOR> gelesen oder enthält die Eingangswarteschlange mehr als eine END-Meldung, so wird das Gerät INTERRUPTED (unterbrochen) und eine Fehleranzeige generiert. Dies bewirkt, dass ein Query Error-Bit im Standard Event Status Register gesetzt, der Wert 1 ins Query Error Register geschrieben und der Antwortformatierer zurückgestellt wird, wodurch die Ausgangswarteschlange gelöscht wird. Jetzt beginnt der Parser die nächste <PROGRAM MESSAGE UNIT> der Eingangs-Warteschlange zu verarbeiten. Weitere Informationen entnehmen Sie bitte dem Abschnitt „Status-Berichterstattung“.

Der Fehler DEADLOCK nach IEEE 488.2 wird wie folgt behandelt: Wartet der Antwortformatierer auf das Senden einer Antwort und wird die Eingangs-Warteschlange voll, so schaltet das Gerät auf DEADLOCK Status und eine Fehleranzeige wird generiert. Dies bewirkt, dass ein Query Error-Bit im Standard Event Status Register gesetzt, der Wert 2 ins Query Error Register geschrieben und der Antwortformatierer zurückgestellt wird, wodurch die Ausgangswarteschlange gelöscht wird. Jetzt beginnt der Parser die nächste <PROGRAM MESSAGE UNIT> der Eingangs-Warteschlange zu verarbeiten. Weitere Informationen entnehmen Sie bitte dem Abschnitt „Status-Berichterstattung“.

### GPIB Parallelabfrage (Parallel Poll)

Das Gerät besitzt eine vollständige Parallelabfrage. Das Parallel Poll Enable Register wird gesetzt damit festgelegt wird, welche Bits im Status Byte Register zur Bildung der lokalen Meldung „ist“ dienen. Das Parallel Poll Enable Register (Parallelabfrage-Aktivierungsregister) wird durch den Befehl \*PRE <nrf> gesetzt und mit dem Befehl \*PRE? ausgelesen. Der Wert im Parallel Poll Enable Register wird mit dem Status Byte Register AND verknüpft. Lautet das Ergebnis Null, so beträgt der Wert von „ist“ 0, ansonsten ist der Wert von „ist“ 1.

Das Gerät muss außerdem so konfiguriert sein, dass der Wert von „ist“ während einer Parallelabfrage an das Steuergerät zurückgeschickt werden kann. Die Konfigurierung des Gerätes erfolgt vom Steuergerät, indem letzteres einen Parallel Poll Configure-Befehl (PPC) mit anschließendem Parallel Poll Enable-Befehl (PPE) sendet. Die Bits des PPE-Befehls sind unten aufgeführt:

bit 7 =	X	Unbeachtet lassen
bit 6 =	1	Aktivierung der Parallelabfrage
bit 5 =	1	
bit 4 =	0	
bit 3 =	Sense	Wert des Antwortbits: 0 = low, 1 = high
bit 2 =	?	Bitposition der Antwort
bit 1 =	?	
bit 0 =	?	

---

**Beispiel:** Um an Bitposition 1 das RQS-Bit (Bit 6 des Status Byte Register) mit 1, wenn wahr, und mit 0, wenn nicht wahr, als Antwort auf eine Parallel Poll-Operation auszugeben, senden Sie folgende Befehle

\*PRE 64<pmt>, dann PPC, gefolgt von 69H (PPE)

Die Antwort auf die Parallelabfrage vom Gerät lautet dann 00H, wenn RQS gleich 0 ist, und 01H, wenn RQS gleich 1 ist.

Während der Parallelabfrageantwort sind die DIO-Schnittstellenleitungen mit einem ohmschen Abschlusswiderstand versehen (passiver Abschluss). Dadurch können sich mehrere Geräte, entweder in Wired-AND- oder Wired-OR-Konfiguration, dieselbe Position für das Antwortbit teilen. Weitere Informationen entnehmen Sie bitte IEEE 488.1.

## Statusberichterstattung

Für jede Schnittstelleninstanz wird ein getrenntes Fehler- und Statusmodell geführt. Eine Schnittstelleninstanz wird als eine mögliche Verbindung definiert. Bei USB, RS232 und GPIB handelt es sich grundsätzlich um Einzelverbindungen, die jeweils eine Schnittstelleninstanz darstellen. Dagegen ermöglicht LAN mehrere Verbindungen gleichzeitig und bildet daher mehrfache Schnittstelleninstanzen. Zwei Schnittstelleninstanzen werden den beiden TCP-Socket Schnittstellen zugewiesen, eine weitere dem Webseiten-Interface. Durch das getrennte Modell für jede Schnittstelle wird sichergestellt, dass Daten nicht verloren gehen, da viele Befehle (z. B. '\*ESR?') den Inhalt beim Schreiben löschen.

Der Fehlerstatus wird in Registern festgehalten. Diese werden im Folgenden beschrieben und im Statusmodell am Kapitelende gezeigt.

### Standard Event Status und Standard Event Status Enable Register

Diese beiden Register sind gemäß der Norm IEEE 488.2 ausgeführt. 488.2.

Bits, die im Standard Event Status Register gesetzt werden und Bits entsprechen, die im Standard Event Status Enable Register gesetzt wurden, bewirken, dass das ESB-Bit im Status Byte Register gesetzt wird.

Das Standard Event Status Register wird mit dem Befehl \*ESR? ausgelesen und gelöscht. Das Standard Event Status Enable Register wird mit dem Befehl \*ESE <nrf> gesetzt und mit dem Befehl \*ESE? ausgelesen.

Es handelt sich um ein Bitfeld mit folgenden Bits.

- Bit 7: Power On (Einschalten). Wird gesetzt, wenn das Gerät zum ersten Mal eingeschaltet wird.
- Bit 6: Benutzeranfrage (Nicht belegt).
- Bit 5: Command Error (Befehlsfehler). Wird gesetzt, wenn ein Syntaxfehler in einem Befehl vom Bus festgestellt wird. Der Parser wird zurückgesetzt und fährt mit dem nächsten, eingehenden Byte fort
- Bit 4: Execution Error (Ausführungsfehler). Wird gesetzt, wenn ein Fehler bei der Ausführung eines vollständig interpretierten Befehls auftritt. Die entsprechende Fehlernummer wird im Execution Error Register gemeldet (siehe Abschnitt „Fehlermeldungen“).
- Bit 3: „Verify Timeout“ Fehler. Wird gesetzt, wenn ein Parameter verifiziert werden soll, der jeweilige Wert aber nicht innerhalb von 5 Sekunden erreicht ist (z. B. wenn die Ausgangsspannung durch einen großen Kondensator am Ausgang verzögert wurde).
- Bit 2: Query Error (Abfragefehler). Wird gesetzt, wenn ein Abfragefehler auftritt. Die entsprechende Fehlernummer wird im Query Error Register gemeldet (siehe Abschnitt Query Error Register).
- Bit 1: Nicht belegt.
- Bit 0: Operation Complete (Vorgang abgeschlossen). Wird als Antwort auf den \*OPC-Befehl gesetzt.

---

## Execution Error Register (Ausführungsfehlerregister)

Das Register enthält eine Nummer, die den letzten Fehler beim Ansprechen der aktuellen Schnittstelle repräsentiert. Das Execution Error Register wird mit dem EER?-Befehl ausgelesen und gelöscht. Beim Einschalten wird dieses Register für alle Schnittstelleninstanzen auf 0 gesetzt.

Die Fehlermeldungen haben folgende Bedeutung:

- 0: Es liegt kein Fehler vor.
- 1-9: Interner Hardware-Fehler erkannt.
- 100: Range Error (Bereichsfehler). Der gesendete numerische Wert ist nicht zulässig. Dazu gehören auch Werte, die für den jeweiligen Parameter zu groß oder zu klein sind, sowie nicht ganzzahlige Werte, wenn nur Ganzzahlen erlaubt sind.
- 101: Der Abruf eingerichteter Daten wurde angefordert, doch sind die Daten im angegebenen Speicher korrupt. Damit wird entweder ein Hardwarefehler oder eine vorübergehende Datenkorruption angezeigt, die durch erneutes Schreiben von Daten in den Speicher korrigiert werden kann.
- 102: Der Abruf eingerichteter Daten wurde angefordert, doch enthält der angegebene Speicher keine Daten.
- 103: Es wurde versucht einen Befehl für den zweiten Ausgang zu lesen oder zu schreiben, wenn dieser Ausgang nicht zur Verfügung steht. Dies tritt normalerweise auf wenn versucht wird einen zweiten Ausgang bei einem Einzelnetzgerät bzw. bei einem Doppelnetzgerät im Parallelbetrieb zu programmieren.
- 104: Befehl nicht gültig, wenn der Ausgang eingeschaltet ist.
- 200: Read Only: (Schreibgeschützt) Es wurde versucht die Geräteeinstellungen von einer Schnittstelle ohne Schreibrechte aus zu ändern (siehe Kapitel „Sperrungen der Schnittstellen“).

## Limit Event Status und Limit Event Status Enable Registers

Für Einzelnetzgeräte existiert nur ein Limit Event Status Register, für Doppelnetzgeräte (außer im Parallelbetrieb) sind zwei vorhanden. Diese werden mit 'LSR1?' bzw. 'LSR2?' gelesen und gelöscht. Beim Einschalten werden diese Register zuerst auf 0 und dann sofort auf den neuen Limit Status gesetzt.

Bits, die im Limit Event Status Register gesetzt werden und Bits entsprechen, die im Limit Event Status Enable Register gesetzt wurden, bewirken, dass das LIM1 oder LIM2 Bit im Status Byte Register gesetzt wird.

- Bit 7: Zur späteren Verwendung reserviert.
- Bit 6: Wird gesetzt, wenn ein Auslöser aufgetreten ist, der nur von der Gerätevorderseite aus oder durch Trennen und Wiederanlegen der Netzspannung zurückgesetzt werden kann.
- Bit 5: Zur späteren Verwendung reserviert.
- Bit 4: Wird gesetzt, wenn der Ausgang die Leistungsgrenze erreicht (ungeregelter Modus).
- Bit 3: Wird gesetzt, wenn ein Auslöser aufgrund eines Überstroms am Ausgang aufgetreten ist.
- Bit 2: Wird gesetzt, wenn ein Auslöser aufgrund einer Überspannung am Ausgang aufgetreten ist.
- Bit 1: Wird gesetzt, wenn der Strombegrenzungswert erreicht ist (Konstantstrombetrieb).
- Bit 0: Wird gesetzt, wenn der Spannungsbegrenzungswert erreicht ist (Konstantspannungsbetrieb).

## Status Byte Register und Service Request Enable Register

Diese beiden Register sind gemäß der Norm IEEE 488.2 ausgeführt. 488.2.

Bits, die im Status Byte Register gesetzt wurden und den Bits entsprechen, die im Service Request Enable Register gesetzt wurden, bewirken, dass das RQS/MSS-Bit im Status Byte Register gesetzt wird, wodurch ein Service Request auf dem Bus generiert wird.



---

Das Status Byte Register wird entweder mittels dem \*STB?-Befehl abgefragt, der MSS in Bit 6 zurücksendet, oder aber mittels eines Serial Poll (Serienabfrage), der RQS in Bit 6 zurücksendet. Das Service Request Enable Register wird mit dem Befehl \*SRE <nrf> gesetzt und mit dem Befehl \*SRE? gelesen.

Bit 7 - Nicht belegt.

Bit 6 - RQS/MSS. Dieses Bit enthält per Definition in IEEE Std. 488.2 sowohl die Requesting Service Nachricht, als auch die Master Status Summary Nachricht. Als Antwort auf ein Serial Poll (Serienabfrage) wird RQS und als Antwort auf den Befehl \*STB? wird MSS zurückgesendet.

Bit 5 - ESB. Das Event Status Bit (Ereignis-Statusbit). Dieses Bit wird gesetzt, wenn sich gesetzte Bits im Standard Event Status Register auf gesetzte Bits im Standard Event Status Enable Register beziehen.

Bit 4 - MAV. Das Message Available Bit (Meldung vorhanden). Dieses Bit wird gesetzt, wenn das Gerät eine fertig formatierte Antwort zum Versenden an den Controller bereithält. Das Bit wird zurückgesetzt, nachdem der Response Message Terminator gesendet wurde.

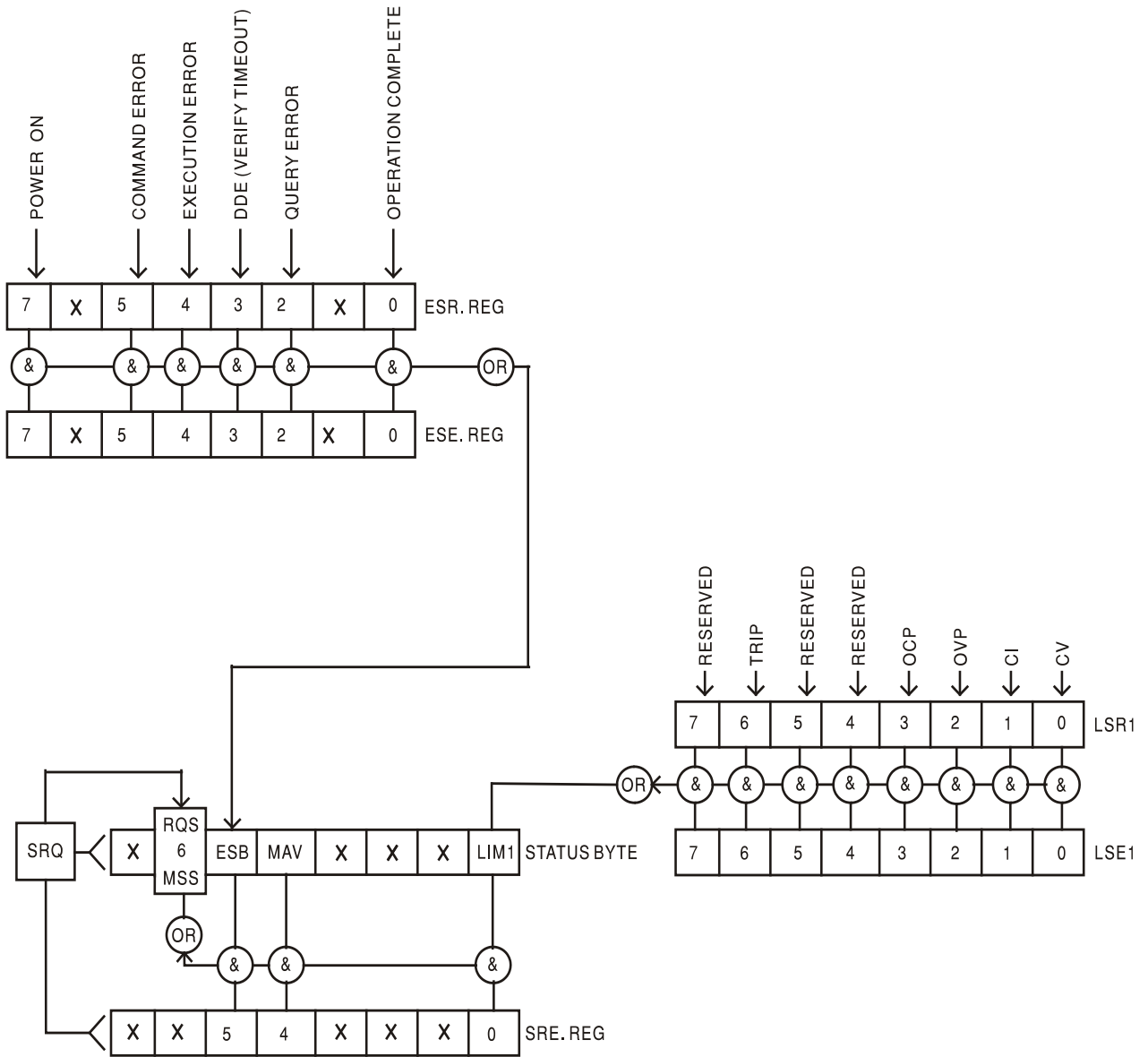
Bit 3 - Nicht belegt.

Bit 2 - Nicht belegt.

Bit 1 - LIM2. Wird gesetzt, wenn im Limit Event Status Register 2 Bits gesetzt sind, die im Limit Event Status Enable Register 2 entsprechend ebenfalls gesetzt wurden.

Bit 0 - LIM1. Wird gesetzt, wenn im Limit Event Status Register 1 Bits gesetzt sind, die im Limit Event Status Enable Register 1 entsprechend ebenfalls gesetzt wurden.

# Status Model



---

## Standardeinstellungen für Einschaltvorgang und Fernsteuerung

Beim Einschalten des Gerätes werden folgende Statuswerte gesetzt:

Status Byte Register	= 0
Service Request Enable Register †	= 0
Standard Event Status Register	= 128 (PON-Bit gesetzt)
Standard Event Status Enable Register †	= 0
Execution Error Register (Ausführungsfehlerregister)	= 0
Query Error Register	= 0
Parallel Poll Enable Register †	= 0

† Die mit diesem Zeichen versehenen Register beziehen sich spezifisch auf den GPIB-Teil des Gerätes und sind nur bedingt für andere Schnittstellen nutzbar.

Das Gerät befindet sich zunächst im lokalen Modus mit aktivierten Steuerelementen auf der Vorderseite.

Die Geräteparameter beim Einschalten sind dieselben wie beim letzten Ausschalten des Geräts, mit Ausnahme des Ausgangsstatus. Standardmäßig ist dieser beim Einschalten des Geräts immer deaktiviert, kann aber vom Benutzer so eingerichtet werden, dass er den gleichen Status wie beim letzten Ausschalten des Geräts annimmt (siehe Abschnitt „Einschalten“ im Kapitel „Manueller Betrieb“).

Der Schnittstellenbefehl \*RST (Reset) setzt das Gerät auf die Standardeinstellungen für den ferngesteuerten Betrieb zurück.

Dies bezieht sich auf folgende Einstellung:

$V_{out}=1V$ ,  $I_{out}=1A$ ,  $\Delta V=10mV$ ,  $\Delta I=10mA$ , Lock deaktiviert, OVP = 66V & OCP = 22A.

Die Einstellungen für Fernschnittstelle und Ausgangsstatus beim Einschalten bleiben durch \*RST unverändert.

Die Fernfühlereinstellungen richten sich nach den Schalterstellungen auf der Gerätevorderseite.

---

# Fernsteuerbefehle (nur XPF 60-20P)

## RS232/USB Fernsteuerungsformat

Der RS232-Eingang des Gerätes wird über eine 256 Byte große Warteschlange gepuffert. Dies erfolgt unter Verwendung eines Interrupts, quasi im Hintergrund und unabhängig zu allen anderen Gerätefunktionen. Befinden sich etwa 200 Zeichen in der Warteschlange, so sendet das Gerät ein XOFF. XON wird gesendet, wenn wieder 100 Bytes in der Warteschlange frei geworden sind. Diese Schlange enthält die „Rohdaten“ (syntaktisch noch nicht analysiert), die der Parser nach Bedarf übernimmt. Befehle (und Abfragen) werden der Reihe nach ausgeführt, und der Parser startet einen neuen Befehl erst, wenn der vorherige Befehl bzw. die vorherige Abfrage vollständig abgeschlossen ist. RS232 Antworten auf Befehle oder Abfragen werden sofort gesendet; es gibt keine Ausgabeschlange.

Der USB-Eingang entspricht dem USB 2.0 Full Speed (volle Geschwindigkeit).

Befehle müssen in der Form gesendet werden, die in der Befehlsliste festgelegt ist, und immer mit dem Befehlsabschlusscode 0AH (Line Feed, LF) enden. Befehle können in Gruppen gesendet werden, wenn die einzelnen Befehle durch den Code 3BH (;) von einander getrennt sind. Die Gruppe muss mit dem Befehlsabschlusscode 0AH (Line Feed, LF) enden.

Antworten vom Gerät an den Controller werden in der Form gesendet, die in der Befehlsliste festgelegt ist. Jede Antwort muss mit einem <RESPONSE MESSAGE TERMINATOR> enden, d.h. dem Code 0DH (Carriage Return, CR), gefolgt von 0AH (Line Feed, LF).

<WHITE SPACE> ist mit den Zeichencodes 00H bis einschließlich 20H definiert.

<WHITE SPACE> wird ignoriert, außer bei Befehlsunterscheidung, d. h. „\*C LS“ ist nicht gleich „\*CLS“.

Bei allen Zeichen wird das höchste Bit ignoriert.

Die Befehle unterscheiden nicht zwischen Groß-/Kleinschreibung.

## GPIB Fernbedienungsformate

Die GPIB Eingang des Gerätes wird über eine 256 Byte große Warteschlange gepuffert. Dies erfolgt unter Verwendung eines Interrupts, quasi im Hintergrund und unabhängig zu allen anderen übrigen Gerätefunktionen. Diese Warteschlange enthält die Rohdaten (syntaktisch noch analysiert), die der Parser nach Bedarf übernimmt. Befehle (und Abfragen) werden der Reihe nach ausgeführt, und der Parser startet einen neuen Befehl erst, wenn der vorherige Befehl bzw. die vorherige Abfrage vollständig abgeschlossen ist. Eine Sende-Warteschlange gibt es nicht, dies bedeutet, dass der Antwort-Formatierer, falls erforderlich unbegrenzt lange wartet. Erst dann setzt der Parser mit der Abarbeitung des nächsten Befehls aus der Eingabe-Warteschlange fort.

Befehle werden vom Steuergerät als <PROGRAM MESSAGES> gesendet, wobei jede Meldung aus null oder mehr <PROGRAM MESSAGE UNIT> -Elementen besteht, die durch <PROGRAM MESSAGE UNIT SEPARATOR> -Elemente voneinander getrennt sind.

Ein <PROGRAM MESSAGE UNIT> ist jeder Befehl in der Fernbedienungs-Befehlsliste.

Ein <PROGRAM MESSAGE UNIT SEPARATOR> ist das Semikolon „;“ (3BH).

<PROGRAM MESSAGES> werden von <PROGRAM MESSAGE TERMINATOR>-Elementen voneinander getrennt, die folgende Form haben können:

NL	Das Zeichen New Line (0AH), d.h. neue Zeile
NL^END	Das Zeichen New Line mit der END-Meldung.
^END	Die END-Meldung mit dem letzten Zeichen der Meldung.

Antworten vom Gerät an das Steuergerät werden als <RESPONSE MESSAGES> gesendet. Eine <RESPONSE MESSAGE> besteht aus einer <RESPONSE MESSAGE UNIT> mit anschließendem <RESPONSE MESSAGE TERMINATOR>.

Das Zeichen New Line mit der END-Meldung NL^END ist ein <RESPONSE MESSAGE TERMINATOR>. Jede Abfrage führt zu einer bestimmten <RESPONSE MESSAGE>. Diese Meldungen sind zusammen mit den Abfragebefehlen in der Liste der Fernsteuerbefehle aufgeführt.

---

<WHITE SPACE> wird ignoriert, außer bei Befehlsunterscheidung, d. h. „\*C LS“ ist nicht gleich „\*CLS“. WHITE SPACE> ist mit den Zeichencodes 00H bis einschließlich 20H definiert, mit Ausnahme des Codes für „neue Zeile“ (0AH).

Bei allen Zeichen wird das höchste Bit ignoriert. Die Befehle unterscheiden nicht zwischen Groß-/Kleinschreibung.

## Befehlsliste

In diesem Abschnitt sind alle Befehle und Abfragen für dieses Gerät aufgeführt.

Beachten Sie, dass es keine abhängigen Parameter, gekoppelten Parameter, überlappenden Befehle, „Ausdrucksprogramm-Datenelemente“ oder zusammengesetzte Befehlsprogrammköpfe gibt und dass jeder Befehl vollständig abgearbeitet ist, bevor der nächste Befehl gestartet wird. Alle Befehle sind sequentiell, und die „Vorgang abgeschlossen“-Nachricht wird in allen Fällen sofort nach der Ausführung generiert.

Folgende Nomenklatur wird verwendet:

<rmt>	<RESPONSE MESSAGE TERMINATOR> (Antwortabschluss)
<nrf>	Sämtliche Formate einer Zahl werden akzeptiert, wie z.B. 12, 12,00, 1,2 e1 und 120 e-1 für 12. Jede Zahl wird nach ihrem Empfang je nach erforderlicher Genauigkeit konvertiert, die ihrer Verwendung entspricht und dann gerundet, um den Wert des Befehls zu erhalten.
<nr1>	Zahl ohne Dezimalstelle, d.h. Ganzzahl (Integer)
<nr2>	Eine Zahl mit Festkomma, z.B. 11,52; 0,78 usw.
<n>	Die Nummer des Ausgangs (1, 2 usw.) oder Statusregisters, auf den sich der Befehl bezieht. Für dieses Gerät mit nur einem Ausgang ist <n> immer '1'. Daher lauten die Befehle z. B. V1 <nrf> usw. Auf diese Weise bleibt das Befehlsformat vollständig kompatibel mit den Befehlen für programmierbare TTI Netzteile mit mehreren Ausgängen. Ein Netzteil mit Doppelausgang hätte beispielsweise einen doppelten Satz von Befehlen mit V2 <nrf>, I2O?, usw.

Befehle, die mit \* beginnen, sind die in der Norm IEEE 488.2 als Common Commands (allgemeine Befehle) aufgeführten Befehle. Sie funktionieren alle mit den anderen Schnittstellen, sind jedoch zum Teil nur von geringem Nutzen.

### Gerätespezifische Befehle

Bei Befehlen, die verifiziert werden sollen ('WITH VERIFY'), ist die Operation erst dann abgeschlossen, wenn der einzustellende Parameter den erforderlichen Wert innerhalb von +/-5 % oder +/-10 Zählritten erreicht hat (je nachdem welcher Wert größer ist). Werden diese Grenzwerte nicht innerhalb von 5 Sekunden erreicht, so wird das „Verify Timeout“ Bit (Bit 3) im Standard Event Status Register gesetzt und die Operation gilt nach Ablauf dieses „Timeouts“ als abgeschlossen.

Das „Operation Complete Bit“ (Bit 0) im Standard Event Status Register wird ausschließlich mit dem \*OPC Befehl gesetzt. Der Befehl \*OPC (oder \*OPC?) kann zur Synchronisation der angeschlossenen Geräte verwendet werden.

V<n> <nrf>	Ausgangsspannung auf <n> bis <nrf> Volt setzen
V<n>V <nrf>	Ausgangsspannung auf <n> bis <nrf> Volt setzen, mit Verifizierung
OVP<n> <nrf>	Auslösepunkt des Ausgangs <n> für den Überspannungsschutz auf <nrf> Volt setzen
I<n> <nrf>	Strombegrenzung des Ausgangs <n> auf <nrf> Ampere setzen
OCP<n> <nrf>	Auslösepunkt des Ausgangs <n> für den Überstromschutz auf <nrf> Ampere setzen

---

I<n>?	Eingestellte Strombegrenzung des Ausgangs <n> rückmelden – Antwort ist I <n> <nr2><rmt> mit <nr2> in Ampere
OVP<n>?	Überspannungseinstellung des Ausgangs <n> rückmelden – Antwort ist VP<n> <nr2><rmt> mit <nr2> in Volt
OCP<n>?	ÜberstromEinstellung des Ausgangs <n> rückmelden – Antwort ist CP<n> <nr2><rmt> mit <nr2> in Ampere
V<n>O?	Erfasste Ausgangsspannung des Ausgangs <n> rückmelden – Antwort ist <nr2>V<rmt> mit <nr2> in Volt
I<n>O?	Erfasste Ausgangsstrom des Ausgangs <n> rückmelden – Antwort ist <nr2>A<rmt> mit <nr2> in Ampere
DELTA V<n> <nrf>	Schrittgröße der Ausgangsspannung für Ausgang <n> auf <nrf> Volt setzen
DELTA I<n> <nrf>	Schrittgröße des Ausgangsstroms für Ausgang <n> auf <nrf> Ampere setzen
DELTA V<n>?	Schrittgröße der Ausgangsspannung für Ausgang <n> rückmelden – Antwort ist DELTA V<n> <nr2><rmt> mit <nr2> in Volt.
DELTA I<n>?	Schrittgröße des Ausgangsstroms für Ausgang <n> rückmelden – Antwort ist DELTA I<n> <nr2><rmt> mit <nr2> in Ampere.
INCV<n>	Ausgangsspannung für Ausgang <n> um die Schrittgröße für Ausgang <n> erhöhen
INCV<n>V	Ausgangsspannung für Ausgang <n> um die Schrittgröße für Ausgang <n> erhöhen und verifizieren
DECV<n>	Ausgangsspannung für Ausgang <n> um die Schrittgröße für Ausgang <n> senken
DECV<n>V	Ausgangsspannung für Ausgang <n> um die Schrittgröße für Ausgang <n> senken und verifizieren
INCI<n>	Strombegrenzung für Ausgang <n> um die Schrittgröße für Ausgang <n> erhöhen
DECI<n>	Strombegrenzung für Ausgang <n> um die Schrittgröße für Ausgang <n> senken
OP<n> <nrf>	Ausgang <n> auf Ein/Aus stellen, wobei <nrf> folgende Bedeutung hat: 0=OFF, 1=ON
OP<n>?	Rückmeldung des Ein/Aus-Status für Ausgang <n>. Antwort ist <nr1><rmt> wobei 1 = ON, 0 = OFF.
TRIPRST	Versuch des Löschens aller Auslösebedingungen.
LOCAL	Lokaler Betrieb. Gibt keine aktive Schnittstellensperre frei, sodass die Sperre mit der gewählten Schnittstelle verbleibt, wenn der nächste Fernsteuerungsbefehl erhalten wird.
IFLOCK	Schnittstellensperre anfordern. Dieser Befehl fordert die alleinige Zugangssteuerung für das Gerät an. Die Antwort ist 1 falls erfolgreich, oder –1 wenn die Sperre nicht verfügbar ist, weil sie entweder bereits verwendet wird oder weil der Benutzer die Steuerungsmöglichkeit dieser Schnittstelle über die Webseite deaktiviert hat.
IFLOCK?	Statusanfrage für die Schnittstellensperre. Die Antwort ist 1 wenn die fragende Schnittstelle bereits gesperrt ist, 0 falls keine Sperre aktiv ist oder –1 wenn die Sperre nicht verfügbar ist, weil sie entweder bereits verwendet wird oder weil der Benutzer die Steuerungsmöglichkeit dieser Schnittstelle über die Webseite deaktiviert hat.

---

---

IFUNLOCK	Falls möglich, Sperre freigeben. Bei Erfolg meldet dieser Befehl den Wert 0 zurück. Falls nicht erfolgreich, wird der Wert –1 rückgemeldet, 200 im Execution Register übertragen und Bit 4 des Event Status Register gesetzt, um anzuzeigen, dass keine Berechtigung zur Sperrenfreigabe besteht.
LSR<n>?	Abfragen und Löschen des Limit Event Status Register <n>. Das Antwortformat hat die Form <nr1><rmt>. Weitere Informationen zur Antwort entnehmen Sie bitte dem Abschnitt „Statusberichterstattung“.
LSE<n> <nrf>	Wert von LSE<n>, Limit Status Enable Register LSE<n>, auf <nrf> setzen
LSE<n>?	Gibt den Wert von LSE<n>, Limit Status Enable Register LSE<n> aus – Antwort ist <nr1><rmt>

## System- und Statusbefehle

*CLS	Status löschen. Löscht die Statusstruktur. Auf diese Weise wird das Status Byte Register indirekt gelöscht.
EER?	Abfragen und Löschen des Execution Error Registers. Das Antwortformat hat die Form nr1<rmt>.
*ESE <nrf>	Standard Event Status Enable Register auf den Wert von <nrf> setzen.
*ESE?	Sendet den Wert im Standard Event Status Enable Register im numerischen Format <nr1> zurück. Die Syntax der Antwort lautet <nr1><rmt>.
*ESR?	Gibt den Wert im Standard Event Status Register im numerischen Format <nr1> aus. Anschließend wird das Register gelöscht. Das Antwortformat ist <nr1><rmt>. Weitere Informationen zur Antwort entnehmen Sie bitte dem Abschnitt „Statusberichterstattung“.
*IST?	Gibt die Lokalmeldung „ist“ laut Definition der Norm IEEE 488.2 aus. 488.2. Die Syntax der Antwort lautet 0<rmt>, wenn die Lokal-Meldung ‚falsch‘ ist, bzw. 1<rmt>, wenn die Lokal-Meldung ‚wahr‘ ist.
*OPC	Setzt das “Operation Complete” (Vorgang abgeschlossen)-Bit (Bit 0) im Standard Event Status Register. Aufgrund des sequentiellen Ablaufs aller Vorgänge geschieht dies unmittelbar nach Ausführung des Befehls.
*OPC?	Query Operation Complete Status (Abfrage des Status „Vorgang abgeschlossen“). Die Syntax der Antwort lautet 1<rmt>. Aufgrund des sequentiellen Ablaufs aller Vorgänge steht die Antwort unmittelbar nach Ausführung des Befehls zur Verfügung.
*PRE <nrf>	Parallel Poll Enable Register auf den Wert von <nrf> setzen.
*PRE?	Gibt den Wert im Parallel Poll Enable Register im numerischen Format <nr1> aus. Die Syntax der Antwort lautet <nr1><rmt>.
QER?	Abfragen und Löschen des Query Error Registers. Das Antwortformat ist nr1<rmt>
*RST	Setzt das Gerät auf die Fernsteuerungs-Standard Einstellungen zurück. Die Einstellungen für die Fernschnittstelle und den Ausgangsstatus beim Einschalten bleiben unverändert. (siehe Abschnitt „Standard Einstellungen für den ferngesteuerten Betrieb“ im Kapitel „Bedienung der Fernschnittstelle“)

---

*SRE <nrf>	Service Request Enable Register auf <nrf> setzen.
*SRE?	Gibt den Wert im Service Request Enable Register im numerischen Format <nr1> aus. Die Syntax der Antwort lautet <nr1><rmt>.
*STB?	Gibt den Wert im Status Byte Register im numerischen Format <nr1> aus. Die Syntax der Antwort lautet <nr1><rmt>.
*WAI	Abwarten bis „Operation Complete“ (Vorgang abgeschlossen) ‚wahr‘ ist. Da alle Befehle erst vollständig abgearbeitet werden, bevor der nächste gestartet wird, braucht es zu diesem Befehl keine weiteren Maßnahmen.

## Sonstige Befehle

*IDN?	Gibt die Identifikation des Geräts aus. Die genaue Antwort richtet sich nach der Gerätekonfiguration und hat die Form <NAME>,<Modell>,<Seriennummer>,<Version><rmt>, wobei für <NAME> der Herstellername erscheint, für <Modell> der Gerätetyp und für <Version> die installierte Softwareversion. Das Format von <Version> ist X.xx – Y.yy, wobei ‘X.xx’ die Revisionsnummer der Main-Firmware und ‘Y.yy’ die Revisionsnummer der Interface-Firmware angibt. Die Interface-Firmware ist über den USB-Port vom Benutzer vor Ort aktualisierbar.
ADDRESS?	Sendet die Bus-Adresse des Geräts. Dies ist die von GPIB verwendete Adresse (falls vorhanden), oder sie kann als allgemeine Identifizierung in Verbindung mit den anderen Schnittstellen verwendet werden.
*TST?	Das Netzgerät besitzt keine Eigentesteinrichtung, weshalb die Antwort stets 0 <rmt> lautet.
*TRG	Das Netzgerät hat keine Fähigkeit zur Auslösung. Der Befehl wird akzeptiert, führt aber zu keiner Aktion.

## Fehlermeldungen

Jede Fehlermeldung hat eine Nummer - nur diese Nummer wird über die Fernbedienungs-Schnittstellen ausgegeben. Fehlermeldungsnummern werden nicht angezeigt, sondern im Execution Error Register (Ausführungsfehlerregister) aufbewahrt, wo sie über die Fernschnittstellen gelesen werden können (siehe Kapitel „Statusberichterstattung“).



Die Hersteller oder ihre Vertretungen bieten eine Reparatur für fehlerhafte Geräte an. Falls Anwender Wartungsarbeiten selbst durchführen möchten, sollten sie nur geschultes Personal damit beauftragen. Für diese Arbeiten sollte das Servicehandbuch zu Hilfe genommen werden, das direkt beim Hersteller der Geräte oder dessen Vertretungen bezogen werden kann.

## Sicherung

Der korrekte Sicherungstyp ist:

10 Amp 250V HBC träge, 5 x 20 mm

Sicherstellen, dass nur Sicherungen der vorgeschriebenen Stromstärke und des vorgesehenen Typs als Ersatz verwendet werden. Provisorische "Sicherungen" und das Überbrücken von Sicherungshaltern sind verboten!

**Wichtige Anmerkung:** Beachten Sie, dass die Sicherung in erster Linie für einen sicheren Betrieb des Geräts sorgt und Schäden bei einem Ausfall der Schaltvorrichtungen verhindern soll. Wenn eine Sicherung durchbrennt, ist es daher sehr wahrscheinlich, dass die Ersatzsicherung ebenfalls durchbrennt, da das Gerät fehlerhaft ist. In diesem Fall muss das Gerät zum Service an den Hersteller zurückgeschickt werden.

Wenn die Sicherung ersetzt werden soll, gehen Sie wie folgt vor:

1. Stellen Sie sicher, dass das Gerät von der Netzstromversorgung getrennt ist.
2. Entfernen Sie die beiden Plastikdrucknieten an allen Seitenkanten des Deckels. Nehmen Sie einen kleinen Schraubendreher zur Hand, um zuerst den Nietkopf und danach die gesamte Niethülse herauszuhebeln. Entfernen Sie die drei Schrauben auf der Rückwand zur Befestigung des Deckels - schieben Sie dann den Deckel nach hinten und nehmen Sie ihn ab.
3. Entfernen Sie die Plastikdrucknieten an allen Seitenkanten der Gebläsehalterung. Legen Sie das Gerät auf die Seite und entfernen Sie die beiden Schrauben an der Unterseite des Gerätes (direkt neben den Lüftungsöffnungen), mit denen die Lüfterhalterung am Gehäuse befestigt ist. Ziehen Sie das Lüfterkabel von der Hauptplatine. Entfernen Sie vorsichtig Lüfter und Halterung. Unter Umständen muss hierzu die Verbindung zwischen Interface-Platine und Steuerplatine entfernt werden (nur XPF 60-20P).
4. Lösen Sie die beiden Muttern, mit denen das orange und schwarze Kabel (von der Netzteil-Platine) an den Befestigungsstiften der Hauptplatine befestigt ist und trennen Sie die Kabel. Ziehen Sie den 9-poligen Stecker, der die Steuerplatine mit der Netzteil-Platine verbindet, aus der Steuerplatine heraus. Lösen Sie die beiden M4 Schrauben und Muttern, mit denen die Oberkante der Netzteil-Platine auf der Gehäusesseite befestigt ist (verlieren Sie dabei nicht die Abstandshalter). Entfernen Sie dann die beiden M3 Schrauben in Nähe der Platinenmitte. Nehmen Sie die Platine vorsichtig heraus und halten Sie die Platine dabei waagrecht, damit die Verbindungsstifte nicht verbogen werden.
5. Die Sicherung befindet sich zur Rückseite des Gerätes auf der Hauptplatine. Ersetzen Sie die Sicherung mit dem gleichen Sicherungstyp.
6. Der Wiedereinbau erfolgt in umgekehrter Reihenfolge. Seien Sie besonders vorsichtig beim Wiedereinsetzen der Hauptplatine in das Gerät. Es gibt zwei 8-polige Steckerleisten auf der Hauptplatine neben der Sicherung, die in die entsprechenden Buchsen der Hauptplatine eingesetzt werden müssen. Um sicherzustellen, dass diese korrekt ausgerichtet sind, schauen Sie durch die Öffnung in der Seitenwand des Gehäuses.

## Reinigung

Verwenden Sie zur Reinigung des Geräts ein leicht mit Wasser oder einem milden Reinigungsmittel angefeuchtetes Tuch.

**ACHTUNG! ZUR VERMEIDUNG VON STROMSCHLÄGEN ODER BESCHÄDIGUNGEN DES GERÄTS DARF KEIN WASSER IN DAS GEHÄUSE GELANGEN. DAS GERÄT NICHT MIT LÖSUNGSMITTELN REINIGEN, UM SCHÄDEN AM GEHÄUSE ZU VERMEIDEN.**

Questo strumento appartiene alla Categoria di Sicurezza 1 secondo la classifica IEC ed è stato progettato in modo da soddisfare i criteri EN61010-1 (requisiti di Sicurezza per Apparecchiature di misura, controllo e per uso in laboratorio). E' uno strumento di Categoria II di installazione e inteso per funzionamento con un'alimentazione normale monofase.

Questo strumento ha superato le prove previste da EN61010-1 e viene fornito in uno stato di sicurezza normale. Questo manuale contiene informazioni e avvertenze che devono essere seguite per assicurarsi di un'operazione sicura e mantenere lo strumento in condizioni di sicurezza.

Questo strumento è progettato per uso all'interno e in un ambiente d'inquinamento Grado 2, entro la gamma di temperatura da 5°C a 40°C, con umidità relativa (non condensante) di 20% - 80%. Può occasionalmente essere assoggettato a temperature fra +5°C e -10°C senza comprometterne la sicurezza. Non usare in presenza di condensazione.

L'uso dello strumento in maniera non conforme a quanto specificato in queste istruzioni potrebbe pregiudicare la protezione di cui è dotato. Non usare lo strumento per misurare tensioni al di sopra dei valori nominali o in condizioni ambientali al di fuori di quelle specificate.

## **ATTENZIONE: QUESTO STRUMENTO DEVE ESSERE COLLEGATO A TERRA**

Una qualsiasi interruzione sia interna che esterna del collegamento a terra lo rende pericoloso. E' proibito interrompere questo collegamento deliberatamente. La protezione non deve essere negata attraverso l'uso di un cavo di estensione privo del filo di collegamento a terra.

Quando lo strumento è alimentato, alcuni morsetti sono sotto tensione e l'apertura dei coperchi o la rimozione di parti (eccetto quei componenti accessibili senza l'uso di attrezzi) può lasciare scoperti dei morsetti sotto tensione. L'apparecchiatura deve essere staccata da tutte le sorgenti di tensione prima di aprirla per regolazioni, manutenzione o riparazioni. I condensatori collegati all'alimentazione interna possono essere carichi anche dopo aver staccato l'alimentazione ma si scaricano in circa 10 minuti dopo aver levato la corrente.

E' consigliabile evitare, per quanto possibile, qualsiasi operazione di regolazione e di riparazione dello strumento sotto tensione e, qualora fosse inevitabile, dette operazioni devono essere eseguite da una persona specializzata in materia, che sia pienamente conscia del pericolo presente.

Quando sia chiaro che lo strumento è difettoso, o che ha subito un danno meccanico, un eccesso di umidità, o corrosione a mezzo di agenti chimici, la sicurezza potrebbe essere stata compromessa e lo strumento deve essere ritirato dall'uso e rimandato indietro per le prove e le riparazioni del caso.

Assicurarsi di usare solo fusibili della portata giusta e del tipo corretto durante eventuali sostituzioni. Sono proibiti sia l'uso di fusibili improvvisati che il corto circuito deliberato dei portavalvole.

Non bagnare lo strumento quando si pulisce.

Sullo strumento e in questo manuale si fa uso dei seguenti simboli.



Attenzione - vedere i documenti allegati.  
L'uso errato può danneggiare lo strumento.



Terminale di terra



alimentazione OFF (spenta)



alimentazione ON (accesa)



Corrente Alternata



Corrente Continua

## Tensione di esercizio

Lo strumento dispone di un intervallo universale di tensione in ingresso ed opera con una tensione nominale di alimentazione elettrica di 115 V o 230V senza regolazione. Verificare che l'alimentazione locale corrisponda ai requisiti di ingresso AC definiti nelle Specifiche.

## Cavo di alimentazione

Collegare lo strumento all' alimentazione AC utilizzando il cavo di alimentazione fornito. Se è necessaria una spina di alimentazione per una presa di alimentazione diversa, è necessario utilizzare un cavo adatto e approvato, con spina a muro e connettore IEC60320 C13 per il collegamento con lo strumento.

Per determinare la portata corretta del set di cavi per l' alimentazione AC desiderata, leggere le informazioni sull'attrezzatura e le Specifiche.

### **AVVERTENZA! LO STRUMENTO DEVE ESSERE PROVVISORIO DI MESSA A TERRA**

Qualsiasi interruzione del conduttore di messa a terra dell'alimentazione interno o esterno allo strumento lo renderà pericoloso. È vietata qualsiasi interruzione intenzionale.

## Ventilazione

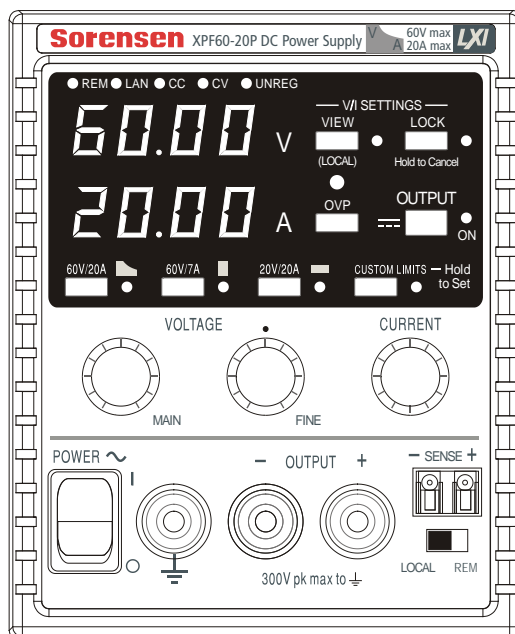
L'alimentazione elettrica viene raffreddata da una ventola intelligente a più velocità situata sul retro. Fare attenzione a non coprire le prese d'aria sui pannelli superiore, inferiore e laterali o l'uscita sul lato posteriore. Nel caso di installazione su rack, lasciare attorno allo strumento spazio sufficiente per una adeguata ventilazione e/o utilizzare un tray di ventole per raffreddamento forzato.

## Montaggio

Questo strumento può essere montato su banco o su rack. Lo strumento viene fornito con i piedini per il montaggio su banco. I piedini anteriori includono un meccanismo di inclinazione per un'angolazione ottimale del pannello.

Un kit per il montaggio di un numero compreso tra una e quattro unità 3U su scaffale da 19" è disponibile presso il produttore o le sue rappresentanze estere.

## Connessioni sul pannello frontale

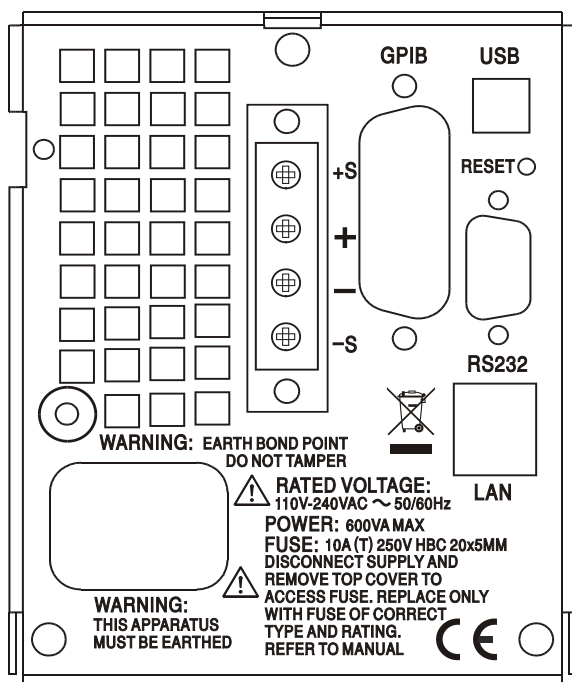


La tensione deve essere connessa ai terminali positivo (rosso) e negativo (nero) con la scritta OUTPUT. I terminali OUTPUT hanno un'intensità di 30A.

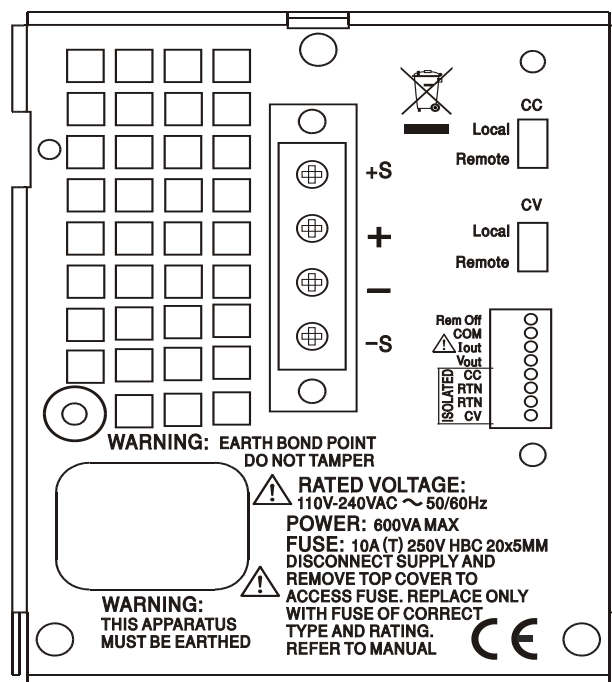
Le connessioni a telerilevamento alla tensione di carico, se necessarie, vengono eseguite dai terminali SENSE positivo (+) e negativo (-). Ruotare lo switch LOCAL/REMOTE su REMOTE quando si desidera utilizzare i sensori remoti. In caso contrario, tornare su LOCAL.

Il terminale con la scritta  $\perp$  è connesso alla terra dello chassis e alla messa a terra.

## Connessioni del pannello posteriore (solo XPF 60-20P e XPF 60-20A)



XPF 60-20P



XPF 60-20A

---

## Terminali di uscita

I terminali di uscita e del sensore sono duplicati nelle morsettiere del pannello posteriore e sono contrassegnati con +O/P, -O/P, +S e -S. Queste connessioni sono collegate in parallelo con quelle sul pannello frontale.

Ruotare lo switch LOCAL/REMOTE su REMOTE quando si desidera utilizzare i sensori remoti. Quando vengono usati i terminali di uscita del pannello posteriore, si consiglia di usare sempre il telerilevamento per mantenere la regolazione dell'uscita entro le i valori previsti. È possibile eseguire collegamenti ai terminali del telerilevamento anteriori o posteriori, ma mai a entrambe le coppie di terminali contemporaneamente. In caso contrario, tornare su LOCAL.

### Controllo remoto analogico (solo XPF 60-20A)

Le connessioni CV e CC forniscono il controllo analogico rispettivamente della tensione di uscita e del limite di corrente quando gli interruttori a scorrimento CV e CC sono impostati su Remote. Questi ingressi e il loro segnale di ritorno comune (RTN) sono isolati dall'uscita. La tensione di isolamento rispetto all'uscita è al massimo 300 V. La scala dell'ingresso può essere impostata in modo indipendente, con collegamenti interni, da 0 a 5 volt (impostazione di fabbrica) o da 0 a 10 Volt per un'uscita massima compresa tra 0 e 100%. L'ingresso massimo consentito è di 60 V. CV e CC possono essere usati in modo indipendente o insieme.

Spostare gli interruttori a scorrimento CV e CC su Local quando il controllo remoto analogico non è in uso.

### Uscita analogica (solo XPF 60-20A)

Le connessioni  $V_{OUT}$  e  $I_{OUT}$  forniscono uscite analogiche adattate rispettivamente alla tensione di uscita impostata e al limite di corrente impostato. La scala è fissata da 0 a 5 volt per un'uscita massima compresa tra lo 0 e 100%.  $V_{OUT}$  e  $I_{OUT}$  sono sempre presenti sui terminali, sia che lo strumento sia nella modalità locale che remota.



**AVVERTENZA! COM fa riferimento al circuito di comando dell'uscita e ha una tolleranza di ~1V rispetto al potenziale dell'uscita positiva.  $V_{OUT}$  e  $I_{OUT}$  sono sempre presenti sui terminali.**



Non erogare tensioni esterne a questi terminali.

### On/Off remoto (solo XPF 60-20A)

Una chiusura dell'interruttore o un livello basso logico tra le connessioni Rem Off e COMon disattiva l'uscita.



**AVVERTENZA! COM fa riferimento al circuito di comando dell'uscita e ha una tolleranza di ~1V rispetto al potenziale dell'uscita positiva.**



Non erogare tensioni esterne a questi terminali.

---

## RS232 (solo XPF 60-20P)

Connettore femmina a vaschetta a 9 pin le cui connessioni sono illustrate qui sotto. Può essere collegato a una porta PC standard con un cavo 1:1 maschio-femmina senza collegamenti incrociati.

Pin	Nome	Descrizione
1	RI	Testato passivamente (+V attraverso 10k $\Omega$ )
2	TXD	Dati trasmessi dallo strumento
3	RXD	Dati ricevuti dallo strumento
4	CTS	
5.	GND	Messa a terra segnale
6	RTS	Testato passivamente (+V attraverso 10k $\Omega$ )
7	DSR	Nessuna connessione interna
8	DTR	
9	CD	Nessuna connessione interna

La messa a terra del segnale è collegata alla messa a terra dello strumento.

## USB (solo XPF 60-20P)

La porta USB viene collegata alla messa a terra dello strumento. È conforme allo standard USB 2.0 (Full Speed) e accetta cavi USB standard. La funzione plug-and-play di Windows riconosce automaticamente che lo strumento è stato collegato. Se non si trova il driver corretto, seguire i prompt sullo schermo di Windows e installare i file richiesti dal CD fornito.

## LAN (solo XPF 60-20P)

L'interfaccia LAN è stata progettata per soddisfare i requisiti LXI (LAN eXtensions for Instrumentation) versione 1.2; lo strumento è conforme alla Classe C. Il protocollo TCP/IP Socket consente di attivare il controllo remoto tramite l'interfaccia LAN. Lo strumento contiene anche un server Web basilare che fornisce le informazioni sull'unità, consentendone anche la configurazione. Dato che vi è il rischio di interferire con la configurazione dell'interfaccia LAN, rendendo così impossibile la comunicazione LAN con lo strumento, è presente un meccanismo per la procedura LAN Configuration Initialise (LCI, inizializza configurazione LAN) attraverso un interruttore incassato sul pannello posteriore (contrassegnato LAN RESET) per il ripristino delle impostazioni di fabbrica.

Per ulteriori particolari si rimanda al capitolo "Funzionamento remoto". Per ulteriori informazioni sugli standard LXI, visionare il sito [www.lxistandard.org/home](http://www.lxistandard.org/home)

## GPIB (solo XPF 60-20P)

Le messe a terra del segnale GPIB sono collegate alla messa a terra dello strumento. I subset utilizzati sono:

SH1 AH1 T6 TE0 L4 LE0 SR1 RL1 PP1 DC1 DT1 C0 E2

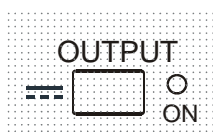
L'indirizzo GPIB viene impostato dal pannello frontale.

# Funzionamento manuale

## Accensione

L'interruttore di accensione si trova in basso a sinistra sul pannello frontale.

Quando l'alimentazione è accesa, il misuratore inferiore indica brevemente la versione del firmware dello strumento; nel modello XPF 60-20P è seguita dalla versione del firmware dell'interfaccia ( **IF** appare nel misuratore superiore) prima che lo schermo indichi Volt e Ampere; si accende anche la spia LAN sopra i misuratori di uscita a destra, che si spegne dopo circa 30 secondi se non viene trovata una connessione LAN funzionante. Vedere il paragrafo Errore LAN nella sezione Interfaccia LAN.



All'accensione, l'impostazione predefinita di fabbrica dell'uscita prevede che sia spenta. I volt e la corrente di uscita preimpostati sono determinati dalle impostazioni di controllo presenti e mostrate nel display. La spia VIEW è accesa per indicare i valori preimpostati. Tutte le altre impostazioni sono le stesse di quelle all'ultimo spegnimento.

Lo stato d'uscita CC all'accensione può essere impostato su "sempre spento" o su "stesso stato dell'ultimo spegnimento". La configurazione può essere modificata nel modo seguente. Con il tasto VIEW premuto, tenere premuto il tasto OUTPUT; lo schermo prima mostrerà l'impostazione attuale per 1 secondo (**OP OFF** se l'impostazione predefinita di fabbrica è ancora selezionata) prima che la nuova impostazione lampeggi per 2 secondi (**Last Set** in questo caso). Dopo 2 secondi viene mostrata fissa la nuova impostazione e viene implementata la modifica; rilasciare i tasti OUTPUT e VIEW. Ripetere la procedura ripristinare lo stato precedente.

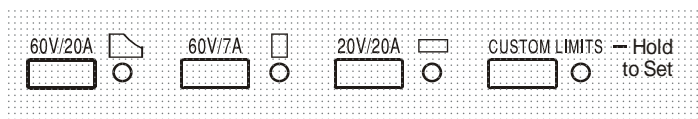
## Impostazione dell'uscita

Con l'alimentazione (POWER) su ( I ) e l'interruttore OUTPUT spento, la tensione d'uscita e il limite di corrente possono essere accuratamente preimpostati utilizzando i comandi VOLTAGE e CURRENT; il misuratore superiore mostra la tensione impostata, quello inferiore il valore massimo di corrente.

\*Quando l'interruttore OUTPUT è acceso, la spia OUTPUT ON e la spia CV (tensione costante) si accendono; il misuratore superiore continua a mostrare la tensione impostata, mentre quello inferiore mostra la tensione di carico effettiva.

## Scelta del range & personalizzazione dei valori limite

Esistono 4 possibili intervalli, selezionabili con i tasti immediatamente sotto lo schermo; la spia associata si accende per mostrare l'intervallo selezionato. Poiché modificando l'intervallo cambia la tensione di uscita, la modifica dell'intervallo è consentita solo se l'uscita è disattivata. Se si tenta di cambiare l'intervallo con l'uscita attivata, lo schermo mostra brevemente il messaggio **turn OFF** e la spia di uscita lampeggia per richiedere all'utente di disattivare l'uscita. La selezione dell'intervallo predefinita di fabbrica è 60V/20A



Range PowerFlex, che limita la corrente massima alla tensione impostata a quella stabilita dal power envelope o a 20 A, il più basso dei due valori; vedi Limiti di alimentazione, più avanti nella sezione.

Gli intervalli 60V/7A e 20V/20A funzionano in modo convenzionale in modo che il funzionamento a tensione costante (CV) sia possibile nell'intero intervallo di tensione, a patto che la tensione di carico sia inferiore al massimo consentito dall'intervallo. Il funzionamento rientra sempre all'interno del power envelope. I comandi VOLTAGE e CURRENT sono sempre scalati per poter impostare il valore massimo dell'intervallo quando vengono ruotati completamente in senso orario.

La funzione CUSTOM LIMITS consente all'utente di impostare i valori massimi dei comandi VOLTAGE e CURRENT per consentirne il funzionamento su specifici intervalli inferiori. Questo non solo offre il vantaggio di proteggere dalle applicazioni accidentali, ad esempio di tensioni eccessive

al carico, ma fornisce anche controllo analogico ad alta risoluzione sugli intervalli specifici utilizzando la rotazione completa a 300° dei comandi.

Per impostare i nuovi CUSTOM LIMITS, disinserire l'uscita e selezionare il range 60 V/20 A; i valori limite predefiniti appaiono sullo schermo. Utilizzare i comandi MAIN e FINE VOLTAGE e il comando CURRENT per impostare con precisione i nuovi limiti personalizzati. Tenere premuto il tasto CUSTOM LIMITS; i nuovi limiti impostati appaiono sul display per circa 2 secondi, poi sul display inferiore (A) appare la scritta **SET** per confermare la memorizzazione dei nuovi valori limite. Rilasciare il tasto; appaiono sul display i valori limite predefiniti V e I, che corrispondono ai valori impostati con la manopola entro gli intervalli appena definiti.

Qualora i nuovi valori limite non rientrino nel Power envelope (vedere il paragrafo Limite di potenza, qui sotto), questa operazione potrebbe passare da CV o CC (Corrente costante) a UNREGulated (limite di potenza) in alcune condizioni di carico; la spia CUSTOM LIMITS lampeggia durante l'operazione d'impostazione e continua a lampeggiare fino a quando non si rilascia il tasto RANGE. La luce fissa della spia durante l'operazione d'impostazione indica che  $V_{MAX} \times I_{MAX} < 420W$  e che in genere l'operazione deve rimanere nella modalità CV o CC. CUSTOM LIMITS rimane selezionato fino a quando non si preme un altro tasto RANGE. Qualora si selezionino di nuovo CUSTOM LIMITS con una breve pressione del tasto, vengono richiamati gli ultimi valori limite impostati.

Quando CUSTOM LIMITS è selezionato, il limite del controllo MAIN VOLTAGE è esattamente quello impostato dalla procedura precedente quando il controllo FINE è impostato sulla metà, segnalato sul pannello dal simbolo •. Il comando FINE può essere utile per impostare una regolazione più precisa di  $\pm 1\%$  (dell'intervallo massimo).

### Tensione costante

La tensione d'uscita è regolata utilizzando i controlli MAIN e FINE VOLTAGE; il controllo CURRENT imposta la corrente massima erogabile.

L'indicatore CV si illumina e mostra la modalità corrente costante.

### Corrente costante

Se la resistenza di carico è così bassa che, alla tensione di uscita impostata, sarebbe erogata una corrente maggiore del limite di corrente impostato, l'alimentatore passerà automaticamente al funzionamento alla corrente costante. L'uscita di corrente viene regolata utilizzando il controllo CURRENT e i controlli VOLTAGE impostano la tensione massima che può essere generata.

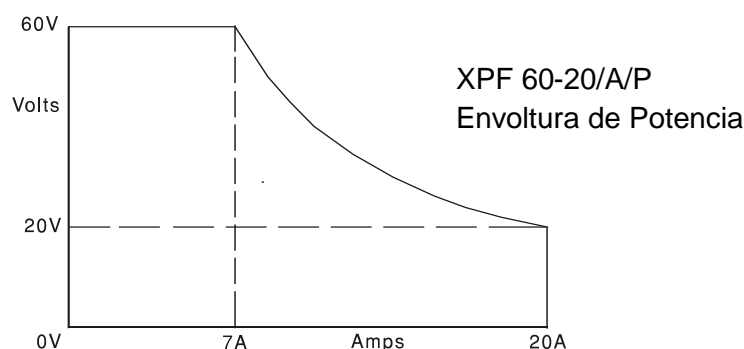
L'indicatore CC si illumina e mostra la modalità corrente costante.

### Uscita di corrente istantanea

Il coando del limite di corrente può essere impostato per limitare la corrente d'uscita continua a livelli inferiori a 10 mA. Tuttavia, come in tutti gli alimentatori da banco, un condensatore è connesso all'uscita per mantenere la stabilità e una buona risposta transiente. Questo condensatore si carica alla tensione d'uscita; un cortocircuito dell'uscita comporterà un impulso di corrente durante la scarica del condensatore, che è indipendente dalle impostazioni del limite di corrente.

### Limite di potenza

Il valore massimo di corrente alle diverse impostazioni della tensione è vincolato dall'area di potenza illustrata qui sotto:





---

Il power envelope è impostato in modo da erogare 60 V / 7 A, 42 V / 10 A e 20 V / 20 A a qualsiasi condizione di alimentazione (entrambe le uscite sotto carico); a tensioni erogate inferiori, la potenza erogata è limitata alla corrente massima di 20 A.

Quando il limite di potenza viene superato, l'indicatore della modalità operativa passa da CV o CC ad UNREG. Se, a titolo esemplificativo, l'alimentazione è impostata su 20 V, con il limite di corrente impostato sul valore massimo, ed è collegata ad un carico di 2  $\Omega$ , vengono erogati 10 A e l'alimentazione viene impostata sulla modalità CV. Con l'aumentare della tensione sul carico, aumenta l'alimentazione sul carico fino a circa 29 V, quando viene superato il valore massimo di potenza e l'alimentazione passa da CV ad UNREG.

## Connessione al carico

Il carico deve essere connesso ai terminali OUTPUT positivo (rosso) e negativo (nero) del pannello frontale. Entrambi sono completamente liberi e possono essere connessi a terra. Diversamente, sull'apparecchio XPF 60-20A/P, è possibile effettuare il collegamento ai doppi terminali di uscita sul pannello posteriore, che è una soluzione indicata quando lo strumento viene utilizzato in un rack.

Quando si utilizzano i terminali di uscita sul pannello posteriore, si consiglia di utilizzare sempre la funzione di telerilevamento per accertarsi che la regolazione dell'uscita rimanga entro i valori indicati; vedere la sezione Telerilevamento, qui di seguito. Qualora si utilizzino i terminali di uscita sul pannello posteriore senza la funzione di telerilevamento, accertarsi che l'interruttore sul pannello frontale sia predisposto su LOCAL. La regolazione risulta leggermente meno precisa se si utilizza la funzione di rilevamento locale a causa del leggero calo supplementare della tensione nel cablaggio interno ai morsetti posteriori.

## Telerilevamento

Lo strumento ha un'impedenza d'uscita molto bassa, che viene inevitabilmente aumentata dalla resistenza dei cavi di connessione. A correnti più elevate, ciò può portare a differenze significative tra la tensione della fonte indicato e quella di carico reale (due cavi di connessione da 5 m $\Omega$  subiranno un calo di 0,2 V a 20 A, per esempio). Questo problema può essere minimizzato utilizzando cavi corti e spessi, ma, se necessario, può essere completamente risolto utilizzando la funzione di sensore remoto.

Questo richiede il collegamento connessione dei terminali dei sensori all'uscita del carico invece che alla fonte; inserire i cavi nei terminali SENSE a molla e collegarli direttamente al carico. Ruotare lo switch LOCAL/REMOTE su REMOTE. Per evitare instabilità e problemi di risposta transiente, avere l'accortezza di assicurare il perfetto accoppiamento tra ogni uscita e cavo del sensore. A tal fine, intrecciare i cavi sia utilizzando un cavo coassiale schermato (sensore su quello interno). L'utilizzo di un condensatore elettrolitico direttamente sul punto di connessione di carico potrebbe essere di aiuto.

Il calo di tensione in ciascun cavo d'uscita non deve superare gli 0,5 Volt.

Ruotare lo switch LOCAL/REMOTE di nuovo su LOCAL quando il telerilevamento non è in funzione.

Quando vengono usati i terminali di uscita del pannello posteriore, si consiglia di usare sempre il telerilevamento per mantenere la regolazione dell'uscita entro le specifiche. È possibile eseguire collegamenti ai terminali del telerilevamento anteriori o posteriori, ma mai a entrambe le coppie di terminali contemporaneamente. Collegare i terminali Sense al carico, seguendo le indicazioni di cui sopra ed impostare l'interruttore LOCAL/REMOTE su REMOTE.

## Connessione ad altri apparecchi in serie o in parallelo

L'uscita dell'alimentatore è completamente libera e può essere utilizzata in serie con altre unità di alimentazione per generare tensioni DC che arrivano fino a 300 V DC.



La tensione massima possibile tra i terminali e la messa a terra ( $\perp$ ) è 300 V DC

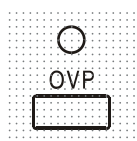
**AVVERTENZA!** Tali tensioni sono estremamente pericolose e bisogna prestare molta attenzione a schermare i terminali d'uscita per questo utilizzo. I terminali d'uscita non devono essere mai toccati quando l'unità è attivata per questo utilizzo. Tutte le connessioni ai terminali devono essere realizzate con l'alimentazione disinserita in tutte le unità..

Si noti che l'unità può solo erogare corrente, e non riceverla, e di conseguenza le unità non possono essere collegate in serie in antifase.

L'unità può essere connessa in parallelo con altre per erogare correnti più alte. Quando diverse unità sono collegate in parallelo, la tensione d'uscita sarà la stessa di quella dell'unità con le impostazioni di tensione d'uscita maggiore, fino a quando la corrente assorbita non supera l'impostazione del suo limite di corrente, nel cui caso l'uscita scenderà a quella al successivo valore più alto impostato, e così via. In modalità corrente costante, le unità possono essere collegate in parallelo per fornire una corrente uguale alla somma delle impostazioni dei limiti di corrente. Per assicurare il funzionamento ottimale, collegare separatamente gli alimentatori al carico.

Si ricorda che la portata massima dei morsetti è 30 A; qualora due o più uscite vengano utilizzate in parallelo a correnti di origine più alte di questo valore, occorre effettuare la giunzione in un altro punto, non ad uno dei morsetti.

## Protezione



L'intervento della protezione dalla sovratensione (OVP) può essere regolato entro un range variabile compreso fra 1 V e 66 V. Il valore massimo dell'OVP viene impostato mediante il potenziometro OVP a valore predefinito regolabile con cacciavite, accessibile attraverso un foro nel pannello frontale appena sopra il tasto OVP. La rotazione in senso orario del potenziometro al valore predefinito aumenta il valore massimo, visibile direttamente sul display premendo il tasto OVP sotto il potenziometro a valore predefinito. Qualora la tensione erogata superi il valore impostato sull'OVP, per qualsiasi motivazione, compresa una tensione esterna forzata, l'uscita viene disinserita.

La protezione della sovracorrente (OCP) viene attivata nel firmware e può essere impostata ed utilizzata nella modalità telecomando attraverso le interfacce RS232, USB, LAN (LXI) o GPIB (solo XPF 60-20P). La risoluzione impostata è 10 mA e i tempi di risposta tipici sono 500 ms. Nella modalità locale e per l'apparecchio XPF 60-20/A, la protezione OCP è ancora attiva ma ritorna automaticamente a 22 A.

Quando l'uscita viene disattivata, appare sui display la scritta **OVP trip** e lampeggia la spia OUTPUT. Disinserire l'uscita; il messaggio "trip" dovrebbe essere sostituito dai normali valori predefiniti V e I. Una volta eliminata la causa dell'intervento della protezione, è possibile accendere di nuovo l'uscita.

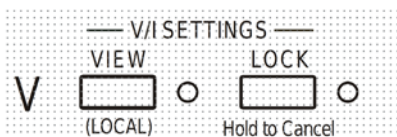
Anche a uscita disinserita, il carico è ancora collegato alla fase di erogazione dell'alimentazione. Non applicare tensioni esterne superiori a 70 V ai morsetti dell'alimentatore onde evitare danni.

L'uscita è dotata di un diodo di protezione dalle inversioni di tensione; la corrente di inversione costante non deve superare i 3 A, anche se i transistori possono raggiungere valori molti più alti.

## Protezione da sovratemperatura

Un sensore sul dissipatore di calore secondario individua la sovratemperatura causata da un'interruzione del flusso dell'aria, da un guasto della ventola o da altri problemi del circuito. La sovratemperatura farà disattivare l'uscita, l'indicatore OUTPUT comincerà a lampeggiare e il display mostrerà il messaggio **OTR trip**. L'uscita rimane disinserita anche dopo il raffreddamento del dissipatore di calore. Una volta eliminata la causa della sovratemperatura e quando il dissipatore di calore si è raffreddato alle normali temperature di esercizio, l'uscita può essere resettata ruotando l'interruttore POWER sulla modalità spento (O) poi di nuovo su (I).

## Impostazioni di visualizzazione



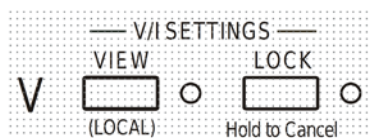
La tensione impostata e il limite di corrente sono sempre visualizzati quando l'uscita è disinserita, ma possono essere visualizzati anche quando l'uscita è inserita premendo il tasto VIEW; mentre si preme il tasto VIEW, si accende la spia VIEW.

---

## Impostazioni di blocco

La pressione del tasto LOCK causerà il blocco digitale del limite predefinito della tensione e della corrente. Le impostazioni vengono memorizzate con una precisione migliore di 1 cifra. Le successive regolazioni dei comandi VOLTAGE e CURRENT non avranno alcun effetto. Poiché l'annullamento della funzione LOCK provoca la modifica delle impostazioni di uscita se le posizioni del controllo VOLTAGE e CURRENT sono state spostate, appaiono sul display i messaggi di avvertimento prima dell'annullamento della funzione LOCK. Tenere premuto il tasto per annullare la funzione LOCK.

Se l'uscita OUTPUT è disinserita (condizione sicura) lampeggiano due volte sul display le impostazioni 'sbloccate' prima che venga attuata la modifica; la spia LOCK si spegne.



Se l'uscita è ancora inserita, la spia **OP on** (uscita inserita) lampeggia due volte nel display, poi lampeggiano le impostazioni 'unlocked' per 2-3 secondi (lentamente, poi più rapidamente) prima che venga apportata la modifica, poi si spegne la spia LOCK.

Il rilascio del tasto LOCK in qualsiasi momento mentre lampeggia il display interrompe l'annullamento della funzione LOCK.

Non è consentito selezionare un range diverso a funzione LOCK attivata; l'eventuale tentativo comporta la breve comparsa del messaggio **Unloc** e il lampeggio della spia LOCK. Inoltre, se l'uscita è attiva quando vengono tentate queste azioni, comparirà nel display il messaggio **turn OFF** (con la spia d'uscita lampeggiante), che sarà seguito dal messaggio **Unloc** (con la spia LOCK lampeggiante).

All'accensione, lo stato della modalità LOCK è identico a quello presente all'ultimo spegnimento.

## Controllo analogico remoto (Solo XPF 60-20A)

Il controllo remoto analogico della tensione di uscita e della corrente è possibile utilizzando le tensioni di controllo esterne variabili applicate rispettivamente tra gli ingressi CV o CC del pannello posteriore e Return (RTN). Questi ingressi sono isolati dall'uscita; la tensione massima di isolamento rispetto all'uscita è di 300 V. Gli ingressi sono protetti dalle tensioni di uscita in eccesso per un massimo di 60 V.

Le tensioni di controllo  $V_{out}$  e  $I_{out}$  dell'uscita analogica di un'unità che funge da "master" possono essere usate per controllare rispettivamente gli ingressi CV e CC di un'unità "slave".

### Controllo analogico della tensione

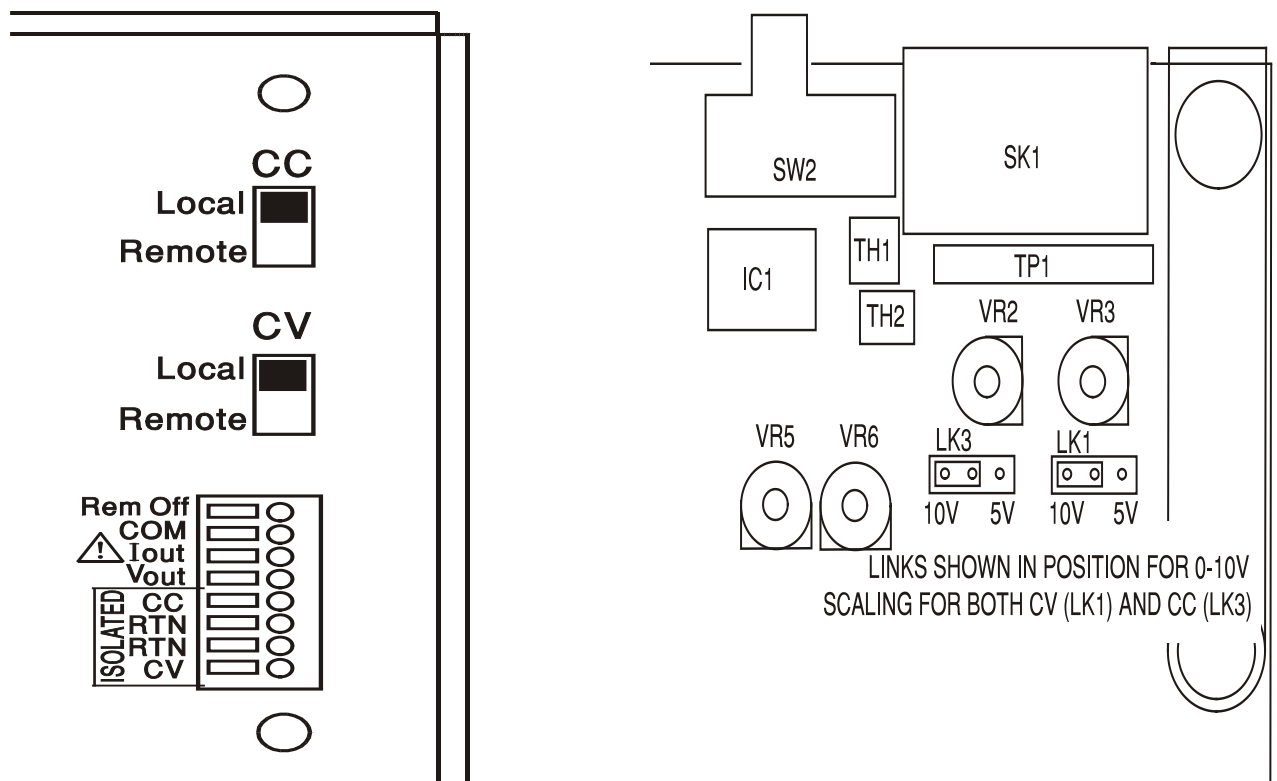
Il controllo analogico remoto della tensione si ottiene impostando l'interruttore CV del pannello posteriore su Remote e applicando una tensione di programmazione tra gli ingressi CV e RTN.

I comandi VOLTAGE del pannello frontale e la selezione del range di tensione vengono disattivati quando Remote è impostato sullo switch CV. Impostare lo switch su Local per ripristinare la funzione di comando al pannello frontale.

La scala della tensione di ingresso predefinita è da 0V a 5V per il range da 0 a 100% della tensione massima di uscita. La scala della tensione di ingresso può essere modificata da 0 V a 10V modificando un ponticello di collegamento interno. Scollegare lo strumento dalla sorgente CA e rimuovere il coperchio come indicato qui sotto. Rimuovere i due rivetti a pressione di plastica alle estremità della copertura superiore. Inserire la punta di un piccolo cacciavite per estrarre la testa del rivetto, quindi rimuoverlo completamente. Rimuovere le tre viti del pannello posteriore che fissano la copertura superiore, quindi farla scivolare indietro e sfilarla.

In riferimento alla vista superiore dello strumento mostrata nel disegno, spostare il ponticello di collegamento alto in posizione LK1 per collegare il centro e i pin da '10 V' invece del centro e i pin da '5 V'.

Il CV remoto può essere usato indifferentemente con CC locale o remoto.



Il controllo analogico remoto della corrente costante si ottiene impostando l'interruttore CC del pannello posteriore su Remote e applicando una tensione di programmazione tra gli ingressi CC e RTN.

Il comando CURRENT del pannello frontale e la selezione dell'intervallo di corrente sono disattivati quando Remote è impostato sullo switch CC. Impostare lo switch su Local per ripristinare la funzione di comando al pannello frontale.

La scala della tensione di ingresso predefinita è da 0 V a 5 V per l'intervallo da 0 a 100% della corrente massima di uscita. La scala della tensione di ingresso può essere modificata da 0 V a 10V modificando un ponticello di collegamento interno. Scollegare lo strumento dalla sorgente CA e rimuovere il coperchio come indicato qui sotto.

Rimuovere i rivetti a pressione di plastica alle estremità della copertura superiore. Inserire la punta di un piccolo cacciavite per estrarre la testa del rivetto, quindi rimuoverlo completamente. Rimuovere le tre viti del pannello posteriore che fissano la copertura superiore, quindi farla scivolare indietro e sfilarla.

In riferimento alla vista superiore dello strumento mostrata nel disegno, spostare il ponticello di collegamento alto in posizione LK3 per collegare il centro e i pin da '10V' invece che il centro e i pin da '5V'.

Il CC remoto può essere usato indifferentemente con CV locale o remoto.

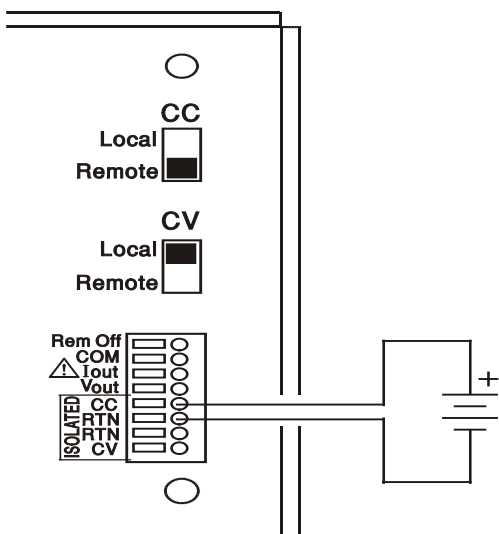
**ATTENZIONE.** Non applicare tensioni di controllo esterne agli ingressi CV o CC superiori al valore massimo consentito per il range di ingresso impostato (5 V o 10 V) Gli ingressi sono protetti dalle tensioni eccessive ma lo strumento potrebbe tentare di fornire tensione o corrente di uscita in eccesso rispetto al valore massimo se la tensione di controllo supera il limite dell'intervallo, provocando di conseguenza possibili danni.

### Considerazioni pratiche sull'uso di CV e CC

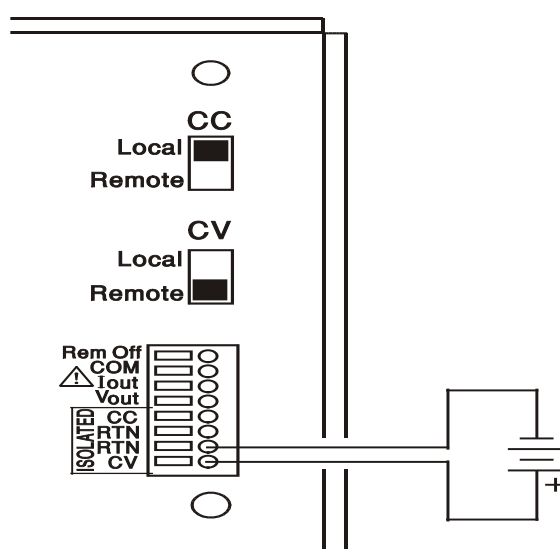
The stability of the control voltages directly affects the stability of the output. Any noise on the control signals will generate noise on the output. To minimise noise on the output connect the control voltages to the CV, CC and RTN inputs using twisted or screened pairs (screens grounded at one end only) and keep the connections as short as possible. Note that output noise is inherently slightly higher when analogue remote control is used because of intrinsic noise in the isolating input circuitry, see the Specification.

The diagrams below show the connections for Constant Voltage (CV) and Constant Current (CC) control using an external voltage.

**Comando tensione costante**



**Comando corrente costante**



Tenere presente che quando l'uscita OUTPUT è attiva, il display dello strumento mostra sempre la tensione e la corrente di uscita effettive, a prescindere da quale fonte del comando sia attiva.

---

Tuttavia, quando l'uscita OUTPUT è disattivata, il display mostra la tensione e la corrente preimpostate dai comandi del pannello frontale (o dall'interfaccia digitale se attiva) e non i valori determinati dagli ingressi CV e CC, anche se sono stati attivati (CV e CC impostati su Remote). Per evitare confusione, è buona norma impostare al minimo i comandi del pannello frontale quando si usano gli ingressi CV e CC remoti.

### **Tensioni del controllo dell'uscita analogica**

Le tensioni del controllo dell'uscita analogica  $V_{out}$  e  $I_{out}$  sono generate dalla tensione di controllo interna effettiva, per la quale la sorgente attiva può essere i comandi del pannello frontale o gli ingressi analogici remoti CV e CC.  $V_{out}$  e  $I_{out}$  sono scalate in modo che dallo 0 al 100% della tensione e della corrente di uscita massime si generino da 0 V a 5 V ai terminali  $V_{out}$  e  $I_{out}$  del pannello posteriore rispetto a COM.  $I_{out}$  corrisponde sempre alla corrente impostata, che l'uscita sia attiva o meno, ma  $V_{out}$  va a 0 V quando l'uscita è spenta.

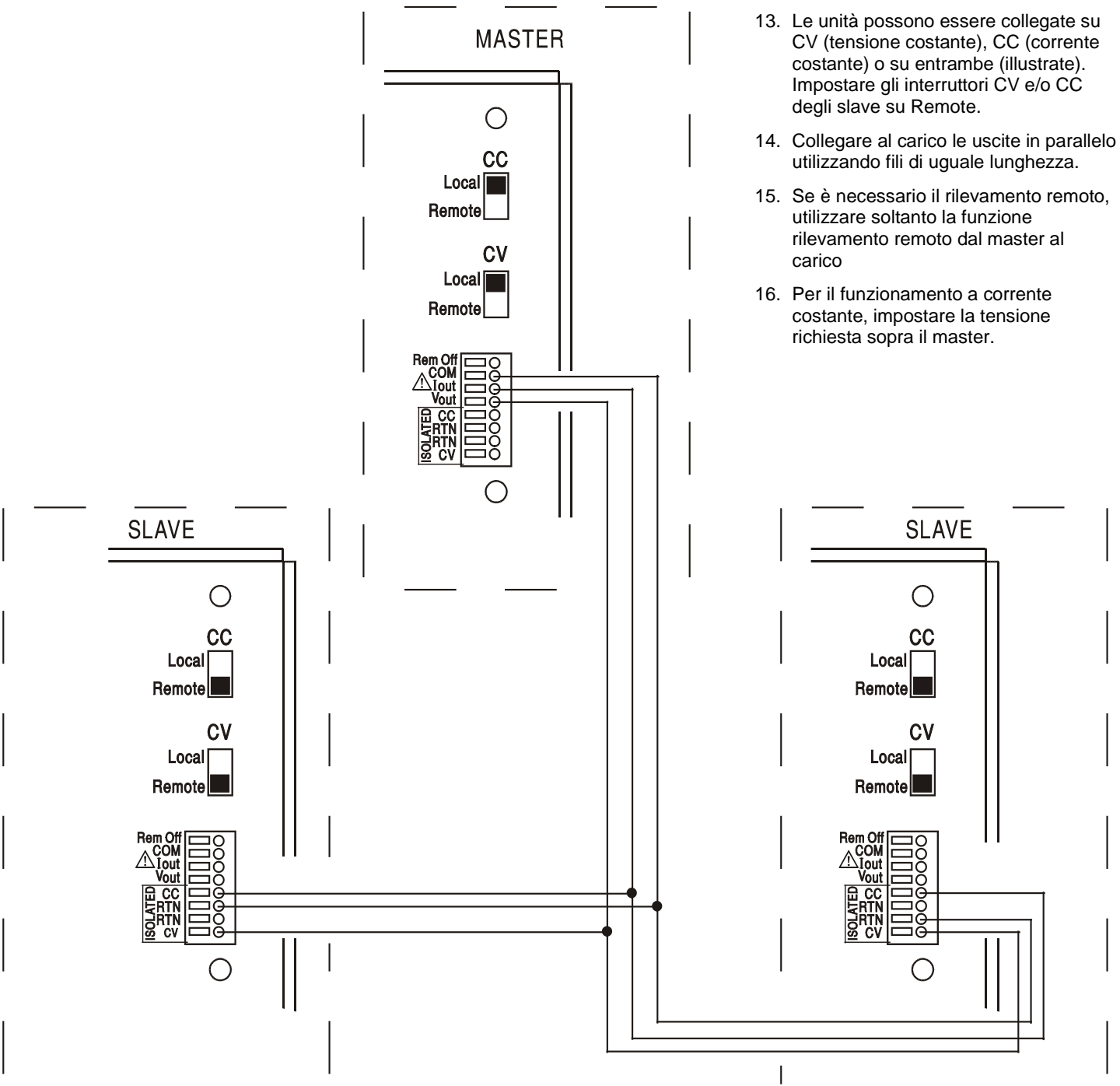


**AVVERTENZA! COM fa riferimento al circuito di comando dell'uscita e ha una tolleranza di ~1V rispetto al potenziale dell'uscita positiva.  $V_{OUT}$  e  $I_{OUT}$  sono sempre presenti sui terminali.**

## Funzionamento in parallelo nella configurazione master-slave

Il funzionamento in parallelo con la configurazione master-slave consente quindi di ottenere correnti di uscita più elevate con una condivisione in parti uguali della corrente tra le unità e il comando della tensione e della corrente da una sola unità. Il diagramma mostra 2 unità collegate in parallelo. Per una condivisione uguale della corrente ogni unità deve essere collegata in modo indipendente al carico con coppie di cavi di portata e lunghezza uguale per assicurare cali di tensione uguali. Collegare  $V_{out}$ ,  $I_{out}$  e COM del master agli ingressi CV, CC e RTN degli slave (impostare gli interruttori CV e CC su Remote) come mostrato.

### Funzionamento in parallelo nella configurazione master-slave



#### Note:

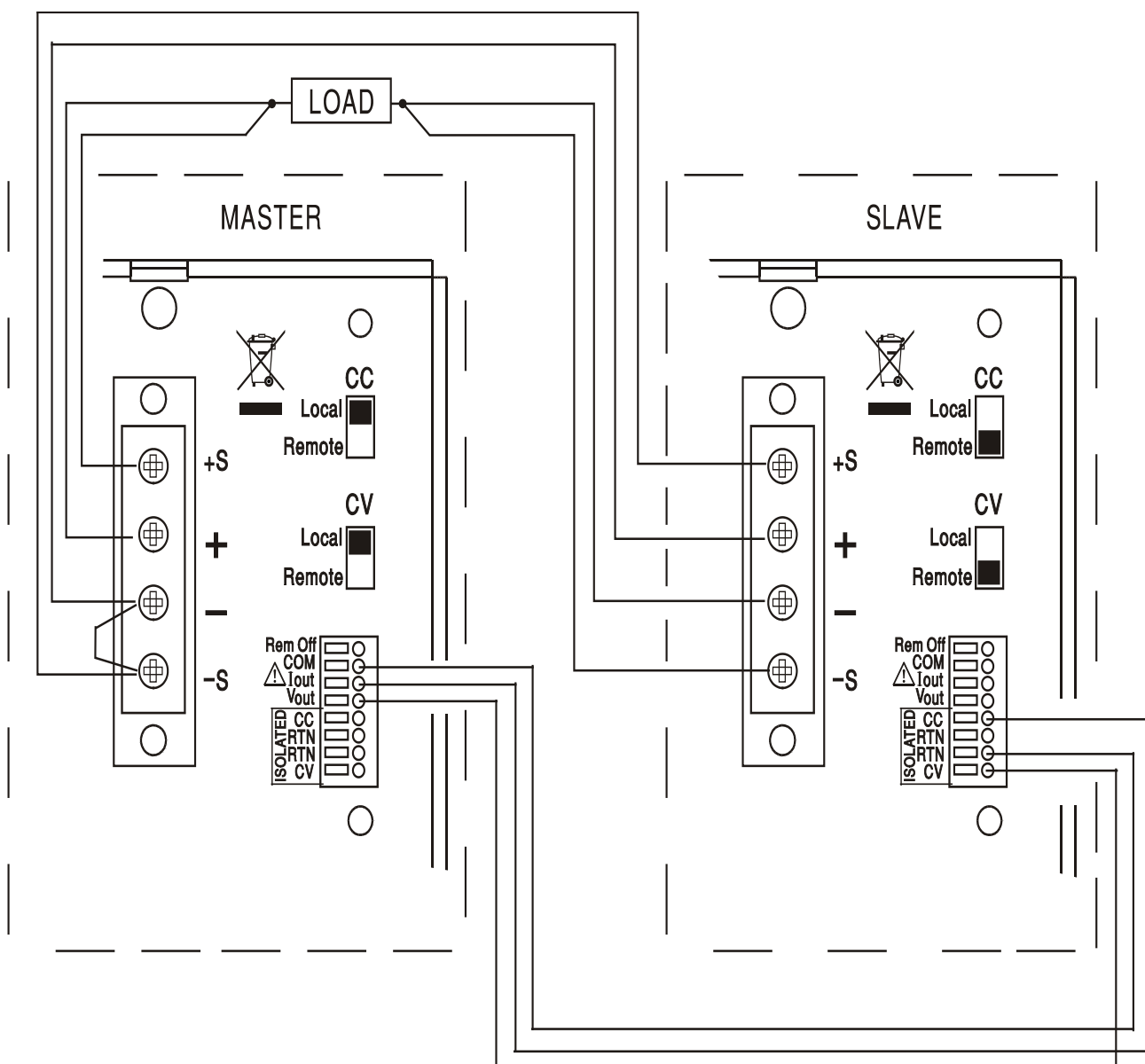
13. Le unità possono essere collegate su CV (tensione costante), CC (corrente costante) o su entrambe (illustrate). Impostare gli interruttori CV e/o CC degli slave su Remote.
14. Collegare al carico le uscite in parallelo utilizzando fili di uguale lunghezza.
15. Se è necessario il rilevamento remoto, utilizzare soltanto la funzione rilevamento remoto dal master al carico.
16. Per il funzionamento a corrente costante, impostare la tensione richiesta sopra il master.

La tensione e la corrente del master possono essere impostate dai comandi del pannello frontale, attraverso l'interfaccia digitale o con una tensione esterna applicata ai suoi ingressi analogici dei comandi CV e CC.

Nella modalità a tensione costante, la tensione sul è quella impostata sull'unità master attraverso i comandi sul pannello frontale, con l'interfaccia digitale, o tramite l'ingresso analogico del comando remoto CV. Il limite di corrente del sistema (ovvero, la corrente in modalità corrente costante) è il limite impostato sull'unità master x n, dove n è il numero delle unità collegate in parallelo.

### Funzionamento isolato o in serie in configurazione master-slave

Il funzionamento isolato o in serie in configurazione master-slave consente di tracciare i limiti delle tensioni e correnti in uscita da impostare per più unità da un singolo strumento. Il diagramma mostra 2 unità collegate in serie per tracciare  $\pm$ Volts e i limiti di corrente. Collegare  $V_{out}$ ,  $I_{out}$  e COM del master agli ingressi CV, CC e RTN degli slave (impostare gli interruttori CV e CC su Remote) come mostrato.



Il diagramma mostra le connessioni di telerilevamento al carico; impostare l'interruttore del sensore del pannello frontale su Remote. Se il telerilevamento non è richiesto, non utilizzare i cavi del sensore e impostare l'interruttore del sensore su Local.



---

Se sono necessari limiti di corrente indipendenti, impostare CC su Local e impostare i limiti dal pannello frontale di ciascuna unità.



**AVVERTENZA! Nel funzionamento in serie fare attenzione a non superare il valore massimo della tensione operativa (300 V) in qualsiasi terminale rispetto alla mesa a terra ( $\perp$ ).**

### **Disattivazione in remoto**

La chiusura dell'interruttore o il livello basso logico tra gli ingressi Rem Off e COM del pannello posteriore disattivano l'uscita se questa era precedentemente attiva; anche la spia OUTPUT nel pannello frontale si spegne. Aprendo l'interruttore tra Rem Off e COM l'uscita viene nuovamente attivata.



**AVVERTENZA! COM fa riferimento al circuito di comando dell'uscita e ha una tolleranza di ~1V rispetto al potenziale dell'uscita positiva.**

---

## Funzionamento delle interfacce remote (solo XPF 60-20P)

Lo strumento può essere telecontrollato attraverso le interfacce RS232, USB, LAN o GPIB.

Il controllo remoto via USB funziona in modo simile a un'interfaccia RS232, con la differenza che usa un connettore USB. Il software fornito con lo strumento consente di configurare il computer controllante in modo che consideri il collegamento USB come una porta COM virtuale. Il software dell'applicazione presente nel computer è quindi in grado di accedere allo strumento tramite tale porta COM.

L'interfaccia LAN è stata progettata per soddisfare i requisiti LXI (LAN eXtensions for Instrumentation) versione 1.2; lo strumento è conforme alla Classe C. Il protocollo socket TCP/IP consente di attivare il comando remoto tramite l'interfaccia LAN. Lo strumento contiene anche un server Web di base che fornisce le informazioni sullo strumento, consentendone anche la configurazione da un browser. È anche possibile utilizzare semplicemente la riga di comando del browser.

Tutte le interfacce sono predisposte sulla modalità sempre attiva (requisito LXI) ma l'accesso alle singole interfacce può essere limitato utilizzando le opzioni di configurazione sulle pagine web.

### Blocco delle interfacce

Tutte le interfacce sono sempre attive; questa funzione elimina la necessità di selezionare l'interfaccia attiva ed è anche un requisito LXI. Per ridurre il rischio di attivazione involontaria dello strumento sotto il controllo di due interfacce contemporaneamente, è previsto un semplice meccanismo di blocco e sblocco nel set di istruzioni. Il blocco viene disattivato automaticamente quando è possibile rilevare la disconnessione e quando si preme il pulsante Local. L'accesso alle interfacce può essere limitato utilizzando le pagine web.

Qualsiasi interfaccia può richiedere il controllo esclusivo dello strumento inviando un comando "IFLOCK". Il blocco può essere annullato inviando il comando "IFUNLOCK" dall'istanza d'interfaccia attualmente bloccata e può essere interrogato da qualsiasi interfaccia inviando il comando "IFLOCK?". La risposta ad uno qualsiasi di questi comandi sarà "-1" se il blocco è assunto da un'altra istanza d'interfaccia, "0" se l'interfaccia è libera e "1" se il blocco è assunto dall'istanza d'interfaccia che l'ha richiesto. L'invio di un comando qualsiasi da un'interfaccia senza privilegio di controllo che tenta di cambiare la modalità operativa dello strumento imposterà il bit 4 dello Standard Event Status Register (Registro stato eventi standard) e inserirà 200 nell'Execution Error Register (Registro errori di esecuzione) per indicare che non ci sono privilegi sufficienti per l'azione richiesta.

**Nota:** è anche possibile configurare il privilegio per una particolare interfaccia su 'read only' (sola lettura) o 'no access' (nessun accesso) dall'interfaccia della pagina Web.

### Selezione dell'indirizzo

La funzionalità dell'indirizzo dello strumento è strettamente necessaria solo con l'interfaccia GPIB. Tuttavia, il comando ADDRESS? può essere usato su qualsiasi interfaccia per identificare facilmente lo strumento controllato da una specifica porta COM (per RS232 o USB) o socket TCP (per LAN). Si noti che l'interfaccia LAN dispone anche di una funzione 'Identify' separata, accessibile dalle pagine Web dello strumento, che fa lampeggiare il display finché la funzione non viene annullata.

L'indirizzo viene impostato dal pannello frontale dello strumento nel modo seguente. Cominciare con lo strumento spento, poi premere e tenere premuti i tasti VIEW e LOCK dell'Output 1; accendere lo strumento. Appare sul display il messaggio **Addr** nel display Volts e **nnb** nel display Amps dove **nn** è l'impostazione attuale (predefinita su **Addr 11** ). L'indirizzo può essere aumentato o diminuito rispettivamente attraverso i tasti VIEW e LOCK nel range da 1 a 31 compreso (non 0), con funzione 'wrap-around'. L'indirizzo viene confermato e la procedura viene interrotta tenendo premuto il tasto OVP; appare sul display la scritta **SEt** e il nuovo indirizzo per circa 2 secondi poi, una volta accettato il nuovo indirizzo, riappare il normale display Volts e Amps. L'indirizzo può essere impostato anche dalle pagine web dello strumento.

## Funzionamento remoto/locale

All'accensione, lo strumento funziona nella modalità locale, con la spia REMOTE spenta. In questa modalità, sono disponibili tutte le operazioni effettuate tramite il pannello frontale. Quando lo strumento si trova nella modalità di ascolto e riceve un comando, viene inserita la modalità remota e si accende la spia REMOTE. In questa modalità, il pannello frontale è bloccato e vengono elaborati solo i comandi remoti. Le impostazioni V/I e lo stato delle uscite rimangono invariati ma la funzione LOCK viene annullata (se inserita) ed i valori per entrambi i range ritornano ai valori predefiniti 60V/20A. I valori impostati per la funzione Sense rimangono quelli impostati dagli interruttori del pannello frontale.

La modalità locale si ripristina premendo il tasto LOCAL, ma l'effetto di questa azione dura solo fino a quando lo strumento viene interpellato di nuovo o riceve un altro carattere dall'interfaccia, nei cui casi ritorna alla modalità di funzionamento remoto. Tornando alla modalità locale o utilizzando il comando LOCAL, le impostazioni V/I tornano agli ultimi valori impostati da remoto, con la funzione LOCK attiva, e l'uscita rimane nello stato attuale.

## Interfaccia RS232

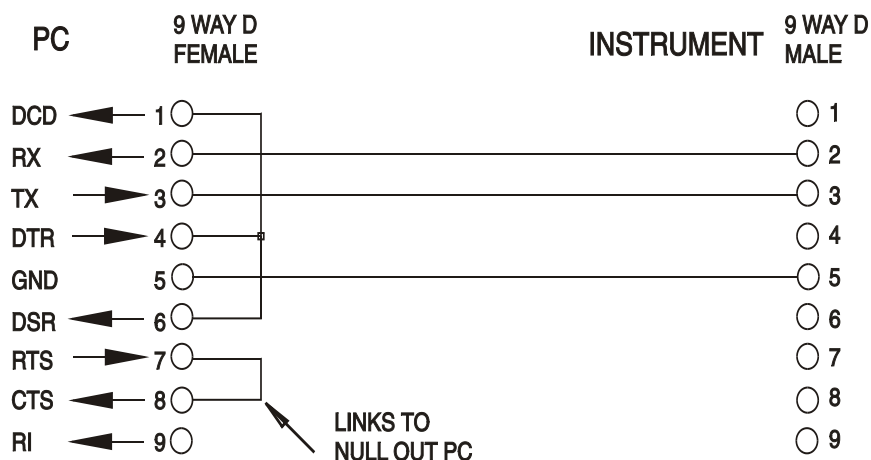
### Connettore dell'interfaccia RS232

Il connettore a vaschetta a 9 vie per interfaccia seriale si trova sul pannello posteriore dello strumento. I collegamenti ai pin sono riportati di seguito:

Pin	Nome	Descrizione
1	RI	Testato passivamente (+V attraverso 10k $\Omega$ )
2	TXD	Dati trasmessi dallo strumento
3	RXD	Dati ricevuti dallo strumento
4	CTS	
5	GND	Messa a terra segnale
6	RTS	Testato passivamente (+V attraverso 10k $\Omega$ )
7	DSR	Nessuna connessione interna
8	DTR	
9	CD	Nessuna connessione interna

### Connessioni RS232

L'interfaccia RS232 può essere collegata a una porta PC standard con un cavo 1:1 maschio-femmina senza collegamenti incrociati. Diversamente, occorre collegare al PC solo i pin 2, 3 e 5, ma con i collegamenti effettuati nel connettore lato PC tra i pin 1, 4 e 6 e tra i pin 7 e 8; vedere il diagramma.



---

Baud Rate (la velocità di trasmissione) per questo strumento è fissata a 9600; gli altri parametri sono fissati come segue:

Bit di avvio: 1

Parità: Nessuna

Bit di dati: 8

Bit di stop: 1

## Set di caratteri RS232

Essendo necessario l'handshaking XON/OFF, è possibile trasmettere solo dati in codice ASCII; non sono consentiti dati binari. Il bit 7 del codice ASCII viene ignorato, ovvero si presume che sia stato impostato su basso. Poiché la mnemonica dei comandi non fa distinzione fra lettere maiuscole e lettere minuscole, è possibile utilizzarle entrambe. I codici ASCII sotto 20H (spazio) non vengono utilizzati. In questo manuale 20H corrisponde a 20 nel sistema esadecimale. L'unità invia XOFF quando rimangono 50 byte liberi e XON quando il numero dei byte sale a 100.

## Interfaccia USB

L'interfaccia USB è una porta COM virtuale controllabile via PC come se fosse un dispositivo RS232. La dotazione dello strumento prevede un CD contenente un file .inf per i driver Microsoft standard disponibili in Windows 2000, XP, Vista e Windows 7; l'installazione guidata provvede ad installare il driver (a 32-bit o 64-bit) giusto per il sistema operativo del PC. Gli aggiornamenti sono disponibili presso il sito Web di TTi, [www.tti-test.com](http://www.tti-test.com).

L'installazione del driver dell'interfaccia avviene collegando lo strumento a un PC con un cavo USB standard. Le funzioni plug and play di Windows individuano automaticamente il collegamento del nuovo hardware all'interfaccia USB e, qualora si tratti della prima connessione, invita l'utente a digitare il percorso di un driver idoneo. Se le richieste standard di Windows vengono seguite correttamente, viene installato il driver appropriato e creata una porta COM virtuale nel PC. Il numero della nuova porta COM dipenderà dal numero di porte COM coesistenti nel PC. La porta COM virtuale può essere gestita dalle applicazioni di Windows esattamente come una porta COM standard, con la differenza che l'impostazione della velocità di trasmissione della porta COM virtuale viene ignorata.

Il driver rimane installato nel PC in modo che la creazione di una porta COM virtuale viene eseguita automaticamente ogni volta che lo strumento venga successivamente collegato al PC tramite la porta USB.

Vengono create ulteriori porte COM virtuali per ciascuno strumento aggiuntivo connesso al PC tramite USB. A ciascuno strumento viene assegnata una porta COM virtuale separata alla prima connessione e la stessa porta viene assegnata a ogni connessione successiva. Il software del PC utilizza il codice univoco integrato in ciascuno strumento per collegarlo alla stessa porta COM virtuale, indipendentemente dalla porta USB fisica alla quale è effettivamente connesso.

È anche possibile utilizzare il comando ADDRESS? per identificare con facilità lo strumento controllato da una specifica porta COM. Anche se la funzionalità dell'indirizzo viene ignorata nell'uso dell'interfaccia USB, è tuttavia possibile impostare e usare l'indirizzo come identificatore, impostare ciascuno strumento connesso via USB su un indirizzo diverso e inviare il comando ADDRESS? da ciascuna porta COM virtuale per confermare quale strumento collegato a tale porta.

## Interfaccia LAN

L'interfaccia LAN è progettata per essere conforme allo standard LXI versione 1.2 e contiene le interfacce e i protocolli descritti di seguito. Dato che vi è il rischio di interferire con la configurazione dell'interfaccia LAN, rendendo così impossibile la comunicazione LAN con lo strumento, è presente un meccanismo per la procedura LAN Configuration Initialise (LCI, inizializza configurazione LAN) attraverso un interruttore incassato sul pannello posteriore per il ripristino delle impostazioni di fabbrica. L'impostazione predefinita prevede che lo strumento tenti di ottenere le impostazioni via DHCP se disponibili o, in caso di timeout del DHCP (30 secondi), tramite Auto-IP. Nell'improbabile evento in cui non sia possibile trovare l'indirizzo Auto-IP, viene assegnato l'indirizzo IP statico 192.168.0.100. Il resettaggio della LAN elimina qualsiasi protezione della password.

Per ulteriori informazioni sugli standard LXI, visionare il sito [www.lxistandard.org/home](http://www.lxistandard.org/home)

---

## Connessione LAN

Per utilizzare l'interfaccia LAN, è necessario conoscere l'indirizzo IP dell'unità. È disponibile LXI Discovery Tool nel CD-ROM fornito, che serve per visualizzare gli indirizzi IP e le informazioni associate di tutti i dispositivi collegati conformi al protocollo di individuazione VXI-11. Questo strumento è un'applicazione per PC Windows che deve essere installata ed eseguita sul PC controllante con l'unità connessa direttamente al connettore di rete del PC o collegata tramite router. Si consiglia il collegamento tramite router, considerevolmente più rapido per l'assegnazione di un indirizzo IP; collegando direttamente al PC l'assegnazione dell'indirizzo IP comincia solo dopo i 30 secondi di timeout del DHCP. Fare doppio clic su una voce qualsiasi dell'elenco dei dispositivi rilevati per aprire il browser Web del PC e visualizzare l'homepage del dispositivo.

Sono anche disponibili strumenti per l'individuazione della LAN inclusi come parte del pacchetto National Instruments Measurement and Automation Explorer e dell'applicazione Agilent Vee.

Al primo avvio, l'unità tenta di ottenere le impostazioni via DHCP se disponibili o, in caso di timeout del DHCP (30 secondi), tramite Auto-IP. Nell'improbabile evento in cui non sia possibile trovare l'indirizzo Auto-IP, viene assegnato l'indirizzo IP statico 192.168.0.100. Durante questo periodo di tempo si accende la spia LAN, che rimane accesa fino a quando non si esegue una connessione LAN con esito positivo. Tuttavia, qualora una connessione non venga effettuata alla fine della procedura sopra indicata, oppure qualora il connettore LAN venga fisicamente staccato in qualsiasi momento, la spia LAN si spegne; per ulteriori dettagli, vedi la sezione Errori LAN.

### Server Web; Protezione password di configurazione

L'unità contiene un server Web di base. Il server fornisce informazioni sullo strumento e ne consente la configurazione. La pagina Configure (Configura) può essere protetta da password per impedire modifiche non autorizzate alla configurazione del funzionamento remoto; la configurazione predefinita è 'no password' (nessuna password).

La pagina Configure spiega come impostare la password. La password può essere composta da un massimo di 15 caratteri; si fa presente che **lo User Name (nome utente) deve essere lasciato vuoto**. Tuttavia, si tornerà all'impostazione predefinita (non password) se viene usato l'interruttore LAN RESET nel pannello posteriore per ripristinare tutti i parametri della LAN alle impostazioni di fabbrica.

Le pagine Web contengono anche una funzione Identify che consente all'utente di inviare un comando di identificazione allo strumento, facendo lampeggiare i display finché il comando non viene annullato.

### Server Ping ICMP

L'unità contiene un server ICMP che consente il ping dello strumento tramite il nome host o l'indirizzo IP.

### Protocollo di individuazione VXI-11

Lo strumento ha un supporto estremamente limitato di VXI-11, sufficiente solo per il protocollo di individuazione.

Lo strumento implementa un portmapper RPC Sun nella porta TCP 111 e nella porta UDP 111, come definito in RPC1183. Le chiamate supportate sono: NULL, GET PORT e DUMP.

Nella porta TCP 1024 è implementato un protocollo VXI-11 estremamente semplice, sufficiente solo per il protocollo di individuazione. Implementa le seguenti chiamate: CREATE LINK, DEVICE\_WRITE, DEVICE\_READ e DESTROY\_LINK.

Una volta creato un link, tutte le altre informazioni scritte sul dispositivo vengono ignorate e le eventuali informazioni lette dal dispositivo restituiscono la stringa di identificazione che sarebbe richiesta da un "IDN?" del modulo

*'Manufacturer,Model,Serial No.,X.xx – Y.yy' (Costruttore,Modello,N. seriale, X.xx - Y.yy)*

*Per esempio:*

*SORENSEN, XPF 60-20P, 279730, 1.00 – 1.00*

dove 'X.xx' è la versione del firmware principale e 'Y.yy' è la versione del firmware dell'interfaccia. Il firmware dell'interfaccia è aggiornabile dal campo utente attraverso la porta USB.

---

## VISA Resource Name

A causa del supporto limitato di VXI-11 (solo protocollo di individuazione), lo strumento deve essere indicato con le informazioni sui raw socket quando viene usato in pacchetti software che comunicano tramite VISA Resource Name. Ad esempio, uno strumento all'indirizzo IP 192.168.1.100 ha normalmente un VISA Resource Name "TCPIP0::192.168.1.100::inst0::INSTR", ma per questo strumento il nome deve essere modificato per indicare "TCPIP0::192.168.1.100::9221::SOCKET", dove 9221 è la porta TCP usata dallo strumento per il controllo e il monitoraggio. Vedere di seguito.

## URL documento identificazione XML

Come richiesto dallo standard LXI, lo strumento fornisce un documento di identificazione XML che può essere richiesto tramite GET all'indirizzo "http://<hostname>:80/lxi/identification" conforme allo schema XSD LXI (disponibile all'indirizzo <http://www.lxistandard.org/InstrumentIdentification/1.0>) e agli standard di schema XML W3C (<http://www.w3.org/XML/Schema>). Questo documento descrive lo strumento.

## Socket TCP

Lo strumento utilizza 2 socket sulla porta TCP 9221 per il controllo e il monitoraggio. I comandi di testo vengono inviati a questa porta, come definito in Comandi remoti" e le risposte vengono inviate attraverso la stessa porta. Ogni stringa deve essere composta da uno o più comandi completi. I comandi possono essere separati dal punto e virgola ";" o da un avanzamento riga. Non occorrono caratteri di fine comando perché la struttura del TCP contiene i comandi completi, pur essendo possibile inviare un carattere di fine comando (che sarà ignorato). Tutti i comandi sul TCP si comportano come se fossero terminati da un carattere di fine comando (carattere ASCII 0AH, line feed).

## Errore LAN

Se si realizza una connessione LAN ma viene individuato un errore (ad es. l'indirizzo IP è identico a quello di un altro dispositivo sulla rete) la spia LAN dello strumento (sopra i misuratori dell'uscita 2) si spegne fino a quando non si corregge l'errore. Qualora si verifichi un errore LAN, verificare e correggere la configurazione dello strumento; è presente un meccanismo LAN Configuration Initialise (LCI) attraverso un interruttore ad incasso sul pannello posteriore (contrassegnato dalla scritta LAN RESET) per resettare lo strumento ai valori predefiniti dal fabbricante. L'impostazione predefinita prevede che lo strumento tenti di ottenere le impostazioni via DHCP se disponibili o, in caso di timeout del DHCP (30 secondi), tramite Auto-IP. Nell'improbabile evento in cui non sia possibile trovare l'indirizzo Auto-IP, viene assegnato l'indirizzo IP statico 192.168.0.100.

Qualora non venga individuata alcuna connessione LAN fisica in qualsiasi momento, la spia LAN si spegne.

## Interfaccia GPIB

Il connettore a 24 vie dell'interfaccia GPIB si trova nel pannello posteriore dello strumento. I collegamenti ai pin sono specificati nello standard IEEE 488.1-1987 e lo strumento è conforme agli standard IEEE 488.1-1987 e IEEE 488.2-1987.

## Sottogruppi GPIB

Lo strumento include i sottogruppi IEEE 488.1 riportati di seguito:

Source Handshake (provenienza handshake)	SH1
Acceptor Handshake (accettazione handshake)	AH1
Talker (apparecchio che trasmette)	T6
Listener (apparecchio che riceve)	L4
Service Request (richiesta di servizio)	SR1
Remote Local (chiamata remota)	RL2
Parallel Poll (interrogazione ripetuta parallela)	PP1
Device Clear (apparecchio pronto)	DC1
Device Trigger (segnale di trigger apparecchio)	DT0

Controller	C0
Electrical Interface (interfaccia elettrica)	E2

## Gestione degli errori GPIB a norma IEEE registro errori richieste di informazioni

L'errore IEEE 488.2 UNTERMINATED (invito al dialogo senza dati da inviare) viene gestito nel modo seguente. L'errore UNTERMINATED viene generato quando lo strumento è invitato a dialogare con il codice di formattazione risposta inattivo e la coda dati d'ingresso vuota. Questo comporta l'impostazione di un Query Error (errore di domanda) nello Standard Event Status Register (registro andamento eventi ordinari), l'inserimento del valore 3 nel registro del Query Error e il ripristino dell' analizzatore sintattico. Per ulteriori raggugli, vedere la sezione Rapporti di stato.

L'errore IEEE 488.2 INTERRUPTED (interruzione) viene gestito nel modo seguente. Se il codice di formattazione risposte è in attesa d'inviare un messaggio di risposta e l' analizzatore sintattico legge il codice <PROGRAM MESSAGE TERMINATOR> (codice finale messaggio programma) o la coda dei messaggi in entrata contiene più di un messaggio END (fine), lo strumento riceve il codice INTERRUPTED e viene generato un errore. Questo comporta l'impostazione di un bit Query Error nello Standard Event Status Register, l'inserimento del valore 1 nel Query Error Register e il ripristino del codice di formattazione risposte, che svuota la coda dei dati in uscita. L' analizzatore sintattico inizierà poi ad analizzare la sintassi della successiva <PROGRAM MESSAGE UNIT> (elemento di messaggio del programma) dalla coda dei dati in entrata. Per ulteriori raggugli, vedere la sezione Rapporti di stato.

L'errore IEEE 488.2 DEADLOCK (blocco dati) viene gestito nel modo seguente. Qualora il codice di formattazione risposte sia in attesa di inviare un messaggio di risposta e la coda dei dati in entrata sia piena, lo strumento entra nella modalità DEADLOCK e viene generato un errore. Questo comporta l'impostazione di un bit Query Error nello Standard Event Status Register, l'inserimento del valore 2 nel Query Error Register e il ripristino del codice di formattazione risposte, che svuota la coda dei dati in uscita. L' analizzatore sintattico inizierà poi ad analizzare la sintassi della successiva <PROGRAM MESSAGE UNIT> (elemento di messaggio del programma) dalla coda dei dati in entrata. Per ulteriori raggugli, vedere la sezione Rapporti di stato.

## Interrogazione ciclica in parallelo GPIB

Lo strumento è dotato di tutte le funzioni di interrogazione ciclica in parallelo. Il Parallel Poll Enable Register viene impostato per indicare quali bit nello Status Byte Register (registro stato byte) occorre utilizzare per formulare il messaggio locale ist. Il Parallel Poll Enable Register viene impostato dal comando \*PRE <nrf> e letto dal comando \*PRE?. Il valore nel Parallel Poll Enable Register viene aggiunto allo Status Byte Register in configurazione AND; se il risultato è zero, il valore di ist è 0, altrimenti il valore di ist è 1.

Lo strumento deve anche essere configurato di modo che il valore di ist possa essere restituito al controller durante l' operazione d' interrogazione ciclica parallela. Il controller configura lo strumento inviando il comando Parallel Poll Configure (PPC) (configura interrogazione ciclica parallela) seguito dal comando Parallel Poll Enable (PPE) (abilita interrogazione ciclica). I bit nel comando PPE sono riportati di seguito:

bit 7 =	X	privo di significato
bit 6 =	1	abilitazione dell' interrogazione ciclica parallela
bit 5 =	1	
bit 4 =	0	
bit 3 =	Significato	significato della risposta bit; 0 = basso, 1 = alto
bit 2 =	?	posizione bit della risposta
bit 1 =	?	
bit 0 =	?	

---

*Esempio.* Per restituire il bit RQS (bit 6 dello Status Byte Register) come 1 quando è vero e come 0 quando è falso nella posizione bit 1 in risposta a un'operazione d'interrogazione ciclica parallela, inviare i comandi seguenti

\*PRE 64<pmt>, poi PPC seguito da 69H (PPE)

La risposta all'interrogazione ciclica parallela proveniente dal generatore sarà 00H se RQS è 0 e 01H se RQS è 1.

Durante la risposta di interrogazione ciclica parallela, le linee dell'interfaccia DIO hanno una terminazione resistiva (terminazione passiva), che consente a più apparecchi di condividere la stessa posizione dei bit sia in configurazione AND che OR. Per ulteriori ragguagli, vedi IEEE 488.1.

## Rapporti di stato

Viene tenuto un modello separato degli stati e degli errori per ciascuna istanza dell'interfaccia. Un'istanza dell'interfaccia è definita come una potenziale connessione. USB, RS232 e GPIB sono singole connessioni, quindi rappresentano ciascuna un'istanza dell'interfaccia. Invece, LAN consente più connessioni contemporaneamente, quindi rappresenta più istanze dell'interfaccia. Due istanze dell'interfaccia vengono assegnate alle due interfacce del socket TCP e un'altra all'interfaccia della pagina Web. Un modello separato per ciascuna istanza assicura che i dati non vadano persi, poiché molti comandi, come ad esempio \*ESR?' cancellano il contenuto al momento della lettura.

Lo stato di errore viene gestito attraverso un set di registri, descritti nei seguenti paragrafi e mostrati nello Status Model alla fine di questa sezione.

## Registro andamento eventi ordinari e registro attivazione eventi ordinari

Questi due registri vengono redatti in relazione alla norma IEEE 488.2.

I bit impostati nello Standard Event Status Register che corrispondono ai bit impostati nello Standard Event Enable Register comportano l'invio del bit ESB nello Status Byte Register.

Lo Standard Event Status Register viene letto e svuotato dal comando \*ESR?. Il registro Standard Event Status Enable si imposta con il comando \*ESE <nrf> e si legge con il comando \*ESE?.

È un campo di bit in cui ciascun bit ha il seguente significato.

- Bit 7: Accensione. Interviene alla prima accensione dello strumento.
- Bit 6: Richiesta utente (non usato).
- Bit 5: Errore di comando. Interviene quando viene individuato un errore di sintassi in un comando dal bus. Il segnale di analisi sintattica viene ripristinato e l'operazione di analisi sintattica continua al byte successivo nei dati in entrata
- Bit 4: Errore di esecuzione. Interviene quando si verifica un errore durante l'esecuzione di un comando sottoposto ad analisi sintattica. Il numero dell'errore individuato viene inviato all'Execution Error Register. Vedere la sezione Messaggi di errore
- Bit 3: Errore timeout di verifica. Interviene quando un parametro è impostato con 'verifica' specificato e il valore non viene raggiunto entro 5 secondi, ad esempio la tensione erogata viene rallentata da un condensatore di grandi dimensioni sull'uscita.
- Bit 2: Errore richiesta di informazioni. Viene impostato quando si verifica una richiesta di informazioni. Il numero dell'errore individuato viene inviato al Query Error Register. Vedere la sezione Query Error Register
- Bit 1: Non usato.
- Bit 0: Operazione ultimata. Impostare dopo la ricezione del comando\*OPC'.



---

## Registro de errores de ejecución

Questo registro contiene un numero che indica l'ultimo errore trovato nell'interfaccia corrente. L'Execution Error Register viene letto e svuotato con il comando EER?'. All'accensione il registro è impostato su 0 per tutte le istanze dell'interfaccia.

Qui di seguito sono riportate le spiegazioni dei messaggi di errore:

- 0: Nessun errore individuato
- 1-9: Errore hardware interno individuato.
- 100: Errore di range. Il valore numerico inviato non è consentito. Comprende i numeri troppo grandi o troppo piccoli per il parametro impostato e l'invio di numeri non interi quando sono consentiti soltanto numeri interi.
- 101: È stato richiesto il richiamo dei dati di configurazione ma la memoria specificata contiene dati danneggiati. Questo indica la presenza di un guasto hardware o l'alterazione temporanea dei dati, che possono essere corretti riscrivendoli di nuovo in memoria.
- 102: È stato richiesto il richiamo dei dati di configurazione ma la memoria specificata non contiene alcun dato.
- 103: Tentativo di lettura o scrittura di un comando sulla seconda uscita quando non è disponibile. In genere, si verifica in occasione del tentativo di programmare la seconda uscita su strumenti monocanale o su uno strumento bicanale impostato sulla modalità parallela.
- 104: Comando non valido con l'uscita inserita.
- 200: Read Only (Sola lettura): Si è cercato di cambiare le impostazioni dello strumento da un'interfaccia senza disporre dei privilegi di scrittura, vedi la sezione Blocco interfacce.

## Registro andamento eventi limite e registro attivazione eventi limite

Gli alimentatori a singola uscita sono dotati di un Limit Event Status Register; quelli a doppia uscita (ad eccezione della modalità in parallelo) sono dotati di due Limit Event Status Register. Questi registri vengono letti e svuotati rispettivamente con i comandi 'LSR1?' e 'LSR2?'. All'accensione, questi registri vengono impostati su 0, poi vengono subito impostati sul nuovo valore limite.

I bit impostati nel Limit Event Status Register che corrispondono ai bit impostati nel Limit Event Status Enable Register comportano l'invio del bit LIM1 o LIM2 nello Status Byte Register.

- Bit 7: A disposizione per utilizzo futuro
- Bit 6: Impostato quando è intervenuto un dispositivo di protezione che può essere resettato solo dal pannello frontale o mediante il disinserimento e il successivo inserimento dell'alimentazione CA.
- Bit 5: A disposizione per utilizzo futuro
- Bit 4: Impostato quando l'uscita raggiunge la potenza massima (Modalità non regolata).
- Bit 3: Impostato quando è intervenuto un dispositivo di protezione contro la sovracorrente
- Bit 2: Impostato quando è intervenuto un dispositivo di protezione contro la sovratensione
- Bit 1: Impostato quando l'uscita raggiunge il valore massimo di corrente (Modalità CC).
- Bit 0: Impostato quando l'uscita raggiunge il valore massimo di tensione (Modalità CV).

## Status Byte Register e Service Request Enable Register

Questi due registri vengono redatti in relazione alla norma IEEE 488.2.

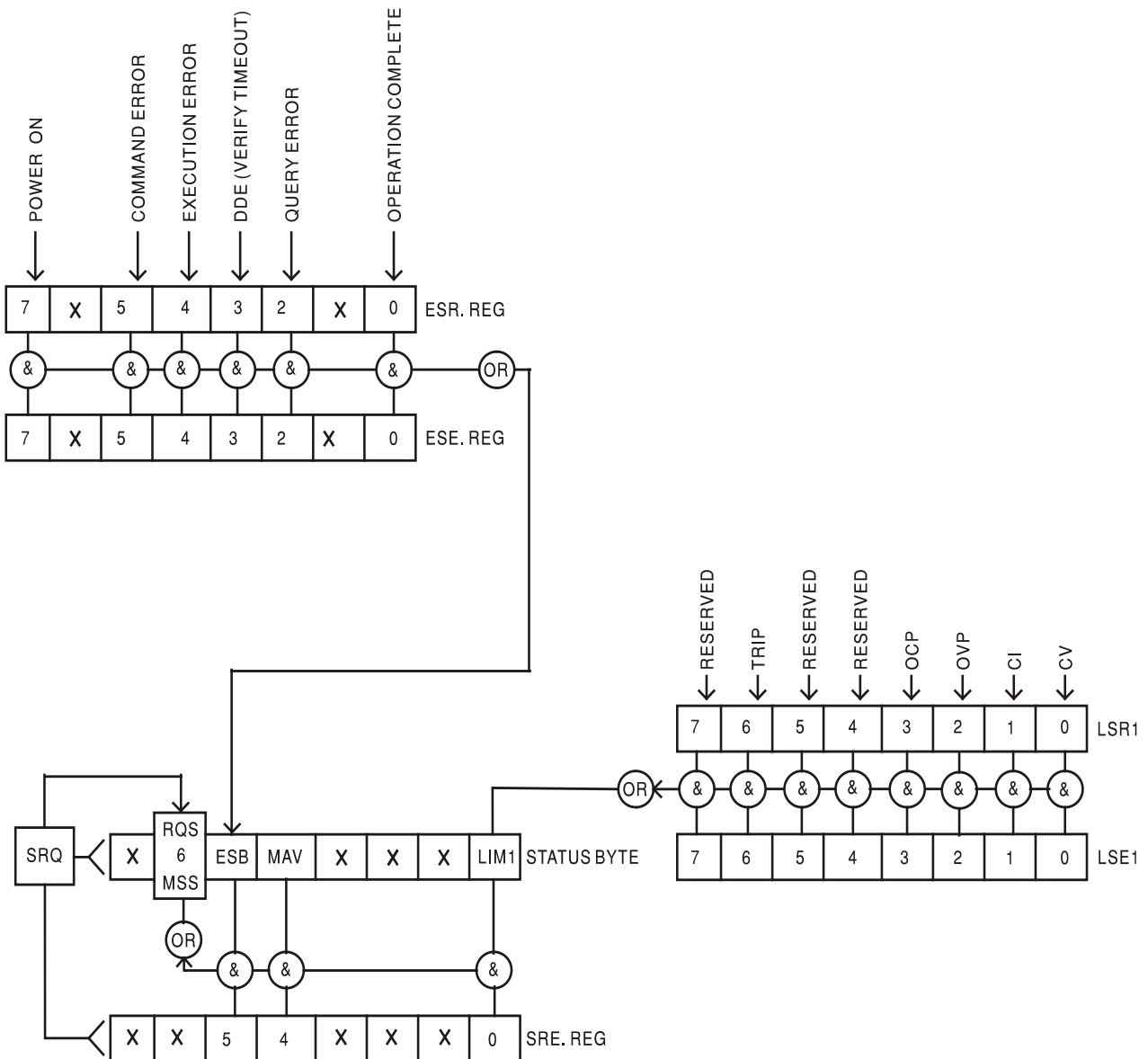
I bit impostati nello Status Byte Register che corrispondono ai bit impostati nel Service Request Enable Register comportano l'invio del bit RQS/MSS nello Status Byte Register, generando così una Service Request sul bus.

Lo Status Byte Register viene letto o dal comando \*STB?, che restituisce MSS nel bit 6, oppure da un'interrogazione ciclica seriale che restituisce RQS nel bit 6. Il registro Service Request Enable si imposta con il comando \*SRE <nrf> e si legge con il comando \*SRE?

Bit 7 - Non usato.

- 
- Bit 6 - RQS/MSS. Questo bit, definito dalla norma IEEE 488.2, contiene sia il messaggio Requesting Service (richiesta servizio) che il messaggio Master Status Summary (sommario stati principali). RQS viene restituito in risposta a una Serial Poll ed MSS in risposta al comando \*STB?
  - Bit 5 - ESB. Event Status Bit (bit di stato evento). Si imposta se uno dei bit impostati nello Standard Event Status Register corrisponde a un bit impostato nello Standard Event Status Enable Register.
  - Bit 4 - MAV. Message Available Bit (bit messaggio disponibile). Si imposta quando lo strumento ha un messaggio di risposta formattato e pronto da inviare al controller. Il bit viene eliminato dopo l'invio del Response Message Terminator (carattere finale messaggio di risposta).
  - Bit 3 - Non usato.
  - Bit 2 - Non usato.
  - Bit 1 - LIM2. Viene impostato se è impostato uno dei bit nel Limit Event Status Register 2 e i bit corrispondenti sono impostati nel Limit Event Status Enable Register 2.
  - Bit 0 - LIM1. Viene impostato se è impostato uno dei bit nel Limit Event Status Register 1 e i bit corrispondenti sono impostati nel Limit Event Status Enable Register 1.

## Modello di stato



---

## Impostazioni predefinite per l'accensione e il funzionamento remoto

I seguenti valori di stato dello strumento vengono impostati all'accensione:

Status Byte Register	= 0
Service Request Enable Register †	= 0
Standard Event Status Register	= 128 (set di bit accensione)
Standard Event Status Enable Register †	= 0
Execution Error Register	= 0
Query Error Register	= 0
Parallel Poll Enable Register †	= 0

I registri contrassegnati da questo simbolo sono pertinenti al settore GPIB dello strumento e sono utilizzati marginalmente da altre interfacce.

Lo strumento funziona nella modalità locale con i comando del pannello frontale attivi.

I parametri dello strumento all'accensione sono sempre gli stessi presenti allo spegnimento con l'eccezione dello stato delle uscite. Per impostazione predefinita l'uscita è sempre disattivata all'accensione, tuttavia l'utente può modificare questa impostazione dal pannello frontale, in modo che lo stato sia lo stesso all'accensione e allo spegnimento. Vedere il paragrafo Accensione nella sezione Modalità operativa manuale.

Il comando di interfaccia \*RST (reset) ripristina le impostazioni predefinite per il funzionamento remoto dello strumento.

Le impostazioni predefinite per il funzionamento remoto sono:

Vout=1V, Iout=1A, DeltaV=10mV, DeltaI=10mA, Blocco annullato, OVP = 66V & OCP = 22A.

Le impostazioni delle interfacce remote e l'impostazione della modalità operativa dell'uscita all'accensione non vengono modificate dal comando \*RST.

I valori impostati per la funzione Sense rimangono quelli impostati dagli interruttori del pannello frontale.

---

## Comandi remoti (solo XPF 60-20P)

### Formato comando remoto RS232/USB

I dati ricevuti dallo strumento attraverso l'interfaccia RS232 vengono memorizzati in una coda dati da 256 byte, che viene riempita tramite segnali di interrupt in modo trasparente a tutte le altre operazioni dello strumento. Lo strumento invia XOFF quando ci sono circa 200 caratteri nella coda di dati. XON viene inviato quando si rendono disponibili 100 spazi nella coda dopo l'invio di XOFF. Questa coda contiene dati grezzi, non analizzati sintatticamente, che l'analizzatore sintattico preleva quando è necessario. I comandi (e le richieste) vengono eseguiti in ordine e l'analizzatore non inizia l'analisi di un comando nuovo fino a quando non ha completato l'analisi di quelli precedenti. La risposta dell'interfaccia RS232 ai comandi o alle richieste è immediata, senza coda di dati in uscita.

L'interfaccia USB è conforme a USB 2.0 Full Speed.

I comandi devono essere inviati come indica l'elenco dei comandi e devono terminare con il codice finale 0AH (Line Feed LF). I comandi possono essere inviati in gruppi e separati dal codice 3BH (;). Il gruppo di comandi deve terminare con il codice 0AH (Line Feed LF).

Le risposte dallo strumento al controller vengono inviate come indica l'elenco comandi. Ciascuna risposta viene terminata con <RESPONSE MESSAGE TERMINATOR>, che è il codice 0DH (Carriage Return CR), seguito dal codice 0AH (Line Feed, LF).

<WHITE SPACE> (spazio vuoto) viene definito come i codici di carattere da 00H a 20H incluso.

<WHITE SPACE> viene ignorato ad eccezione di quando si trova negli identificatori di comando, ovvero '\*C LS' non equivale a '\*CLS'.

Il bit alto di tutti i caratteri viene ignorato.

I comandi fanno distinzione fra lettere maiuscole e minuscole.

### Formato dei comandi remoti GPIB

I dati GPIB inviati allo strumento vengono accodati in una coda immissione da 256 byte, che viene riempita, tramite segnali di interrupt, in modo trasparente a tutte le altre operazioni dello strumento. Questa coda contiene dati grezzi, non analizzati sintatticamente, che l'analizzatore sintattico preleva quando è necessario. I comandi (e le richieste) vengono eseguiti in ordine e l'analizzatore non inizia l'analisi di un comando nuovo fino a quando non ha completato l'analisi di quelli precedenti. Non c'è una coda per i dati in uscita, il che significa che il codice di formattazione risposta attende, anche per un periodo di tempo indeterminato, fino a quando lo strumento non viene invitato al dialogo e non invia l'intero messaggio di risposta, prima di consentire all'analizzatore sintattico di eseguire il comando successivo nella coda dei dati in entrata.

Il controller invia i comandi come <PROGRAM MESSAGES> (messaggi di programma), e ciascun messaggio è composto dallo zero o da più elementi di <PROGRAM MESSAGE UNIT> (unità messaggi di programma), separati dagli elementi del <PROGRAM MESSAGE UNIT SEPARATOR> (separatore unità messaggi di programma).

La <PROGRAM MESSAGE UNIT> è uno qualsiasi dei comandi nella lista comandi remoti.

Il <PROGRAM MESSAGE UNIT SEPARATOR> è un carattere di punto-e-virgola ':' (3BH).

I <PROGRAM MESSAGES> sono separati dagli elementi del <PROGRAM MESSAGE TERMINATOR> che possono essere uno dei seguenti:

NL	Il carattere new line (0AH) (a capo)
NL^END	Il carattere new line con il messaggio END
^END	Il messaggio END con l'ultimo carattere del messaggio

Le risposte dallo strumento al controller vengono inviate come <RESPONSE MESSAGES> (messaggi di risposta). Un <RESPONSE MESSAGE> è composto da una <RESPONSE MESSAGE UNIT> (unità di messaggio di risposta) seguita da un <RESPONSE MESSAGE TERMINATOR> (codice finale messaggio di risposta).

Il <RESPONSE MESSAGE TERMINATOR> è il carattere di new line con il messaggio END NL^END.

---

Ciascuna domanda genera un particolare <RESPONSE MESSAGE>, elencato unitamente al comando nell'elenco dei comandi remoti.

<WHITE SPACE> viene ignorato ad eccezione di quando si trova negli identificatori di comando, ovvero '\*C LS' non equivale a '\*CLS'. <WHITE SPACE> è definito come codici di carattere da 00H a 20H compreso, ad eccezione del carattere NL (0AH).

Il bit alto di tutti i caratteri viene ignorato. I comandi fanno distinzione fra lettere maiuscole e minuscole.

## Elenco dei comandi

Questa sezione elenca tutti i comandi e le richieste adottate in questo strumento.

Si noti che non ci sono parametri dipendenti, parametri accoppiati, comandi sovrapposti, elementi di dati di programmazione espressioni o titoli dei programmi comandi composti; ciascun comando viene eseguito prima di avviare il comando successivo. Tutti i comandi sono progressivi e il messaggio operazione completa viene generato sempre, subito dopo l'esecuzione.

Si utilizza la seguente nomenclatura:

<rmt>	<RESPONSE MESSAGE TERMINATOR>
<nrf>	A titolo esemplificativo. 12, 12 00, 1.2 e 1 and 120 e-1 sono tutti formati ammessi per rappresentare il numero 12. Una volta ricevuti, i numeri vengono convertiti alla precisione impostata per lo strumento e successivamente arrotondati per ottenere il valore del comando.
<nr1>	Numero senza parte frazionaria, ovvero numero intero.
<nr2>	Numero espresso con virgola fissa, come 11.52, 0.78 ecc.
<n>	Il numero dell'uscita (1 o 2) o il relativo registro modalità operative associate a cui si riferisce il comando. Per questo strumento a singola uscita <n> è sempre '1', quindi i comandi sono, ad esempio, V1 <nrf>, I10?, ecc. Questo serve per mantenere il formato del comando completamente compatibile con quello usato negli alimentatori TTI programmabili a più uscite; un alimentatore a doppia uscita, ad esempio, presenta un set di comandi duplicato V2<nrf>, I20?, ecc.

I comandi preceduti dal simbolo \* sono quelli previsti nella norma IEEE 488.2 come comandi Common (comuni). Funzionano quando vengono utilizzati usati con le altre interfacce, ma alcuni sono di scarsa utilità.

### Comandi specifici dello strumento

Per i comandi indicati come 'WITH VERIFY' (con verifica), l'operazione viene ultimata quando il parametro che viene regolato raggiunge il valore richiesto entro  $\pm 5\%$  o  $\pm 10$  conteggi, il maggiore dei due valori. Se il valore non si stabilizza entro questi limiti entro 5 secondi, il bit Verify Timeout (bit 3) viene impostato nello Standard Event Status Register e l'operazione viene ultimata alla fine del periodo massimo a disposizione.

Il bit Operation Complete (bit 0) nello Standard Event Status Register viene impostato solamente dal comando \*OPC. Il comando \*OPC (o \*OPC?) può essere usato per la sincronizzazione dei dispositivi grazie alla natura sequenziale delle operazioni remote.

V<n> <nrf>	Imposta l'uscita <n> su <nrf> Volt
V<n>V <nrf>	Imposta l'uscita <n> su <nrf> Volt con verifica
OVP<n> <nrf>	Imposta il punto di intervento della protezione contro la sovratensione dell'uscita <n> su <nrf> Volt
I<n> <nrf>	Imposta il valore massimo di corrente dell'uscita <n> su <nrf> Ampere
OCP<n> <nrf>	Imposta il punto di intervento della protezione contro la sovratensione dell'uscita <n> su <nrf> Ampere
I<n>?	Restituisce il limite di corrente impostato per l'uscita <n> La risposta è I <n> <nr2><rmt> dove <nr2> è in Ampere

---

OVP<n>?	Restituisce l'impostazione del punto di intervento per la tensione per l'uscita <n> La risposta è VP <n> <nr2><rmt> dove <nr2> è in Volt
OCP<n>?	Restituisce l'impostazione del punto di intervento Ampere
V<n>O?	Restituisce la tensione di readback dell'uscita per l'uscita <n> La risposta è <nr2>V<rmt> dove <nr2> è espresso in Volt
I<n>O?	Restituisce la corrente di readback dell'uscita per l'uscita <n> La risposta è <nr2>A<rmt> dove <nr2> è espresso in Ampere
DELTA V<n> <nrf>	Imposta la grandezza del gradino della tensione dell'uscita <n> su <nrf> Volt
DELTA I<n> <nrf>	Imposta la grandezza del gradino della corrente dell'uscita <n> su <nrf> Ampere
DELTA V<n>?	Restituisce la grandezza del gradino della tensione dell'uscita <n> La risposta è DELTA V<n> <nr2><rmt> dove <nr2> è in Volt
DELTA I<n>?	Restituisce la grandezza del gradino della corrente dell'uscita <n> La risposta è DELTA I<n> <nr2><rmt> dove <nr2> è in Ampere
INCV<n>	Aumenta la tensione dell'uscita <n> della grandezza del gradino impostata per l'uscita <n>
INCV<n>V	Aumenta la tensione dell'uscita <n> della grandezza del gradino impostata per l'uscita <n> e verifica.
DECV<n>	Diminuisce la tensione dell'uscita <n> della grandezza del gradino impostata per l'uscita <n>
DECV<n>V	Diminuisce la tensione dell'uscita <n> della grandezza del gradino impostata per l'uscita <n> e verifica.
INCI<n>	Aumenta il limite di corrente dell'uscita <n> della grandezza del gradino impostata per l'uscita <n>
DECI<n>	Diminuisce il limite di corrente dell'uscita <n> della grandezza del gradino impostata per l'uscita <n>
OP<n> <nrf>	Imposta le modalità on/off dell'uscita <n> dove <nrf> ha i seguenti significati: 0=OFF, 1=ON
OP<n>?	Restituisce lo stato on/off dell'uscita <n>. La risposta è <nr1><rmt> dove 1 = ON, 0 = OFF.
TRIPRST	Tentativo di annullare tutte le condizioni di intervento dei dispositivi di protezione.
LOCAL	Va alla modalità Local. Questo comando non annulla il blocco delle interfacce attive in modo che il blocco rimanga con l'interfaccia selezionata alla successiva ricezione del comando remoto.
IFLOCK	Richiesta blocco interfaccia. Questo comando richiede il controllo esclusivo dell'accesso allo strumento. La risposta è 1 se l'esito è positivo o -1 se il blocco non è disponibile perché è già in uso o l'utente ha disabilitato il controllo dell'interfaccia attraverso l'interfaccia web
IFLOCK?	Richiede la modalità operativa del blocco dell'interfaccia. Il valore restituito è 1 se il controllo del blocco è assunto dall'istanza d'interfaccia che lo richiede; 0 se non c'è nessun blocco attivo o -1 se il blocco non è disponibile perché è già in uso o perché l'utente ha disabilitato il controllo di questa interfaccia attraverso l'interfaccia web.
IFUNLOCK	Se possibile, sblocca il blocco. In caso di esito positivo, questo comando restituisce il valore 0. In caso di esito negativo di questo comando, viene restituito il valore -1, 200 viene inserito nell'Execution Register e il bit 4 dell'Event Status Register viene impostato per indicare che non è disponibile l'autorità per annullare il blocco.
LSR<n>?	Interrogazione svuotamento del Limit Event Status Register <n>. La risposta è <nr1><rmt>. Vedere la sezione Rapporti di stato per ulteriori dettagli.

---

---

LSE<n> <nrf>	Imposta il valore LSE<n>, Limit Event Status Enable Register <n>, su <nrf>
LSE<n>?	Restituisce il valore LSE<n>, Limit Event Status Enable Register <n>, la risposta è <nr1><rmt>

### Comandi di sistema e di stato

*CLS	Cancella stato. Cancella la struttura dello stato. Cancella indirettamente lo Status Byte Register.
EER?	Interroga e svuota l'Execution Error Register. Il formato della risposta è nr1<rmt>.
*ESE <nrf>	Imposta lo Standard Event Status Enable Register sul valore di <nrf>
*ESE?	Restituisce il valore nello Standard Event Status Enable Register nel formato numerico <nr1>. La sintassi della risposta è <nr1><rmt>
*ESR?	Restituisce il valore nello Standard Event Status Register nel formato numerico <nr1>. Il registro viene successivamente svuotato. La risposta è <nr1><rmt>. Vedere la sezione Rapporti di stato per ulteriori dettagli.
*IST?	Restituisce il messaggio locale <b>ist</b> definito dalla norma IEEE 488.2. La sintassi della risposta è 0<rmt> se il messaggio locale è falso oppure 1<rmt> se è vero.
*OPC	Imposta il bit Operation Complete (bit 0) nello Standard Event Status Register. Si verifica subito dopo l'esecuzione del comando perché le operazioni vengono sempre eseguite in ordine progressivo.
*OPC?	Stato Query Operation Complete. La risposta è sempre 1<rmt> ed è disponibile immediatamente perché tutte le operazioni vengono eseguite progressivamente.
*PRE <nrf>	Imposta il Parallel Poll Enable Register sul valore <nrf>.
*PRE?	Restituisce il valore nel Parallel Poll Enable Register nel formato numerico <nr1>. La sintassi della risposta è <nr1><rmt>
QER?	Interroga e svuota il Query Error Register. Il formato della risposta è nr1<rmt>.
*RST	Resetta lo strumento sulle impostazioni di controllo predefinite, ad eccezione delle impostazioni delle interfacce remote, delle configurazioni memorizzate, dei valori Vmin/Vmax e dello stato operativo dell'uscita all'impostazione di accensione. (Vedere il paragrafo Valori predefiniti operazioni remote nella sezione Funzionamento delle interfacce remote)
*SRE <nrf>	Imposta il Service Request Enable Register su <nrf>.
*SRE?	Restituisce il valore nel Service Request Enable Register nel formato numerico <nr1>. La sintassi della risposta è <nr1><rmt>
*STB?	Restituisce il valore nello Status Byte Register nel formato numerico <nr1>. La sintassi della risposta è <nr1><rmt>
*WAI	Attende che Operation Complete assuma il valore vero. Poiché tutti i comandi vengono terminati prima dell'esecuzione dei comandi successivi, questo comando non svolge altre funzioni.

### Comandi vari

*IDN?	Restituisce l'identificativo dello strumento. La risposta precisa dipende dalla configurazione dello strumento e viene espressa nel formato <NAME>,<model>,<Serial No.>,<version><rmt> dove <NAME> è il nome del costruttore, <model> il tipo dello strumento, <Serial No.> il numero seriale univoco e <version> il numero della versione del software installato. Il format della <version> è X.xx – Y.yy dove X.xx è la versione del firmware dello strumento principale e Y.yy è la versione del firmware della scheda d'interfaccia. Il firmware dell'interfaccia è aggiornabile sul campo dall'utente attraverso la porta USB.
ADDRESS?	Restituisce l'indirizzo del bus dello strumento. È l'indirizzo usato da GPIB, se presente, oppure può essere usato come identificatore generale sulle altre interfacce. Il formato della risposta è <nr1><rmt>.



---

*TST?	Il generatore non è dotato di funzionalità di autoverifica e la risposta è sempre 0<rmt>
*TRG	L'alimentatore PSU non è dotato di funzione trigger. Il comando viene accettato ma non esegue nessuna operazione.

### **Messaggi di errore**

Ciascun messaggio di errore ha un numero. Solo questo numero viene indicato attraverso le interfacce di controllo remoto. I numeri dei messaggi di errore non vengono visualizzati ma vengono inseriti nell'Execution Error Register, dove possono essere letti attraverso le interfacce remote; vedi la sezione Rapporti di stato.

---

## Manutenzione

I costruttori o rivenditori internazionali offrono agli utenti un servizio di riparazione di strumenti difettosi. Qualora i proprietari dello strumento desiderino eseguire in sede le operazioni di riparazione, dovranno affidarne l'esecuzione a personale specializzato, previa consultazione del manuale di manutenzione, che può essere acquistato direttamente presso i costruttori o i rivenditori internazionali.

### Fusibile

La tipologia corretta del fusibile è:

10 Amp 250V HBC ritardato, 5 x 20mm

Accertare di utilizzare solo i fusibili della potenza e del tipo prescritti per eventuali sostituzioni. È proibito utilizzare fusibili improvvisati e cortocircuitare i portafusibili.

**Nota importante:** tenere presente che il fusibile viene fornito per garantire la sicurezza dello strumento e limitare i danni in caso di guasti di uno dei dispositivi di commutazione. Se il fusibile dovesse bruciare, è molto probabile che bruci anche il nuovo fusibile perché si è verificato un guasto dell'alimentazione; in questo caso, è prevista la restituzione dello strumento al costruttore che provvederà ad eseguire le riparazioni del caso.

Se non si ritiene appropriato sostituire il fusibile, procedere come segue:

1. Verificare che lo strumento sia staccato dall'alimentazione elettrica.
2. Rimuovere i due rivetti a pressione di plastica alle estremità della copertura superiore. Inserire la punta di un piccolo cacciavite per estrarre la testa del rivetto, quindi rimuoverlo completamente. Rimuovere le tre viti del pannello posteriore che fissano la copertura superiore, quindi farla scivolare indietro e sfilarla.
3. Rimuovere i rivetti a pressione di plastica alle estremità della staffa di montaggio della ventola. Appoggiare lo strumento su un lato e rimuovere le due viti alla base dell'unità (accanto ai fori di ventilazione) che fissano la staffa di montaggio della ventola allo chassis. Scollegare il gruppo di cavi della ventola dal PCB principale. Rimuovere con attenzione la ventola e la staffa di montaggio; questa operazione potrebbe richiedere la rimozione del gruppo di cavi tra il PCB di interfaccia e il PCB di controllo (solo XPF 60-20P).
4. Svitare i due dadi che assicurano i cavi arancione e nero (dal PCB di alimentazione) ai perni del PCB principale e scollegare tutti i cavi. Scollegare il connettore a 9 vie del PCB di controllo con il gruppo di cavi del PCB di alimentazione dal PCB di controllo. Svitare i due dadi e perni M4 che assicurano l'estremità superiore del PCB di alimentazione al lato dello chassis, facendo attenzione a non perdere i distanziatori, quindi rimuovere le due viti M3 verso il centro del PCB. Sollevare attentamente il gruppo della scheda, mantenendo quest'ultima a livello per evitare di piegare i pin di collegamento.
5. Il fusibile si trova nella parte posteriore dello strumento, sul gruppo del PCB principale. Sostituire il fusibile con un altro del tipo corretto.
6. Per rimontare lo strumento, ripetere all'inverso la procedura appena descritta. Prestare particolare attenzione durante l'inserimento del gruppo dell'alimentatore nello strumento. Sono presenti due collettori a 8 vie sul gruppo della scheda principale, vicino al fusibile, che si agganciano a prese complementari sul blocco del PCB di alimentazione. Per assicurare un allineamento corretto di questi ultimi, osservare il collegamento attraverso l'apertura sul lato dello chassis.

### Pulizia

La pulizia dello strumento deve essere eseguita con un panno leggermente inumidito con acqua o detergente neutro.

**AVVERTENZA! ONDE EVITARE SCOSSE ELETTRICHE O DANNEGGIARE LO STRUMENTO, EVITARE TASSATIVAMENTE L'INGRESSO D'ACQUA NELL'INVOLUCRO DELLO STRUMENTO. ONDE EVITARE DI DANNEGGIARE L'INVOLUCRO, NON PULIRLO MAI CON SOLVENTI.**

# Seguridad

Este es un instrumento de Clase de Seguridad I según la clasificación del IEC y ha sido diseñado para cumplir con los requisitos del EN61010-1 (Requisitos de Seguridad para Equipos Eléctricos para la Medición, Control y Uso en Laboratorio). Es un equipo de Categoría II que debe ser usado con un suministro monofásico normal.

Este instrumento se suministra habiendo sido comprobado según la norma EN61010-1. El manual de instrucciones tiene información y advertencias que deben aplicarse para garantizar la seguridad del usuario durante su empleo.

Este instrumento ha sido diseñado para ser utilizado en el interior en un ambiente de Grado 2 de Polución a temperaturas de entre 5°C y 40°C y una humedad relativa de entre el 20% y el 80% (sin condensación). De manera ocasional puede someterse a temperaturas de entre -10°C y +5°C sin que ello afecte a su seguridad. No hay que ponerlo en funcionamiento mientras haya condensación.

El uso de este instrumento de forma no especificada por estas instrucciones puede afectar a su seguridad. El instrumento no debe ser utilizado fuera de su rango de voltaje o de su gama ambiental.

## ADVERTENCIA! ESTE INSTRUMENTO DEBE CONECTARSE A TIERRA

Cualquier interrupción del conductor a tierra dentro o fuera del instrumento implicaría que el instrumento resultara peligroso. Está prohibida cualquier interrupción intencionada de la conexión a tierra. No debe utilizarse con un cable de tensión sin tierra.

Mientras el instrumento esté conectado es posible que queden sin protección elementos bajo tensión y la obertura de tapas o el retiro de piezas (salvo las accesibles por la mano) pueden dejar expuestos a elementos bajo tensión. Si se tuviera que efectuar alguna operación de ajuste, cambio, mantenimiento o reparación es necesario desconectar el instrumento de todas las fuentes de tensión. Los capacitores dentro del aparato pueden permanecer cargados aún cuando las fuentes de tensión hayan sido desconectadas, pero quedarán seguramente descargadas a alrededor de 1 minuto de haber desconectado la corriente.

Todo ajuste, mantenimiento o reparación del instrumento abierto bajo tensión debe ser evitado en lo posible pero si fuera ineludible, estos trabajos deben ser realizados exclusivamente por un personal cualificado consciente del riesgo que implican.

Si el instrumento fuera claramente defectuoso, hubiera sido sometido a un daño mecánico, a humedad excesiva o a corrosión química, su protección de seguridad puede fallar y el aparato debe sacarse de uso y devolverse para comprobación y reparación.

Asegúrese que sólo se empleen fusibles de la clasificación y tipo especificados para todo recambio. Está prohibido utilizar fusibles improvisados así como el corto circuito de portafusibles.

El instrumento no debe humedecerse al ser limpiado. Los símbolos a continuación son utilizados en el instrumento y en este manual:



**Advertencia** - Remitirse a los documentos adjuntos, el uso incorrecto puede dañar al instrumento.



Terminal a tierra



alimentación principal OFF (desconectada)



alimentación principal ON (conectada)



corriente alterna (ca)



corriente continua (cc)

## Tensión de la red de alimentación

Este instrumento tiene un rango de entrada universal y funcionará sin necesidad de ajustes en suministros eléctricos de 115 V o 230 V. Compruebe que el suministro local satisface los requisitos de corriente alterna de entrada que se estipulan en Especificaciones.

## Cable de alimentación

Conecte el instrumento a la fuente de alimentación de CA mediante el cable de red que se suministra. Si se necesita un enchufe para una toma de corriente de tipo distinto, se debe utilizar un cable homologado y con la clasificación adecuada, que tendrá en un extremo el conector correspondiente a la toma de pared, y un conector IEC60320 C13 en el extremo del instrumento. Para determinar la clasificación de corriente mínima del cable de alimentación de CA, consulte la información sobre la clasificación eléctrica en el equipo o en las especificaciones.

### **ADVERTENCIA: ESTE INSTRUMENTO SE DEBE CONECTAR A TIERRA.**

Cualquier interrupción del conductor de puesta a tierra, dentro o fuera del instrumento, hará que éste resulte peligroso. Está prohibida la interrupción intencionada.

## Ventilación

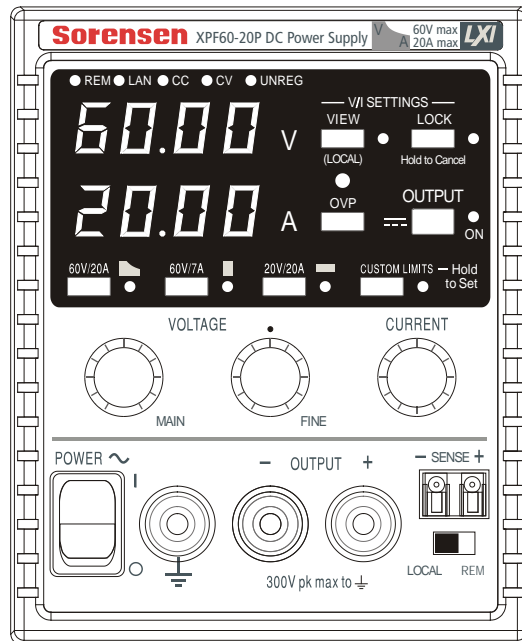
La fuente de alimentación está refrigerada por un ventilador inteligente de varias velocidades que cuenta con una rejilla de ventilación en la parte posterior. Tenga cuidado de no obstruir las entradas de aire en los paneles superior, inferior y laterales o la salida en la parte posterior. Si el instrumento está montado en bastidor, deje suficiente espacio a su alrededor o utilice una placa ventiladora para forzar su refrigeración.

## Montaje

El instrumento podrá utilizarse tanto en banco de trabajo como en bastidor. Se envía con patas para ser montado en banco de trabajo. Las patas delanteras incluyen un mecanismo basculante para obtener un ángulo de panel óptimo.

El fabricante y sus agentes internacionales disponen de un kit que permite montar en un bastidor de 19 pulgadas de una a cuatro de estas unidades, que tienen un cuarto de anchura y 3U de altura.

## Conexiones del panel frontal

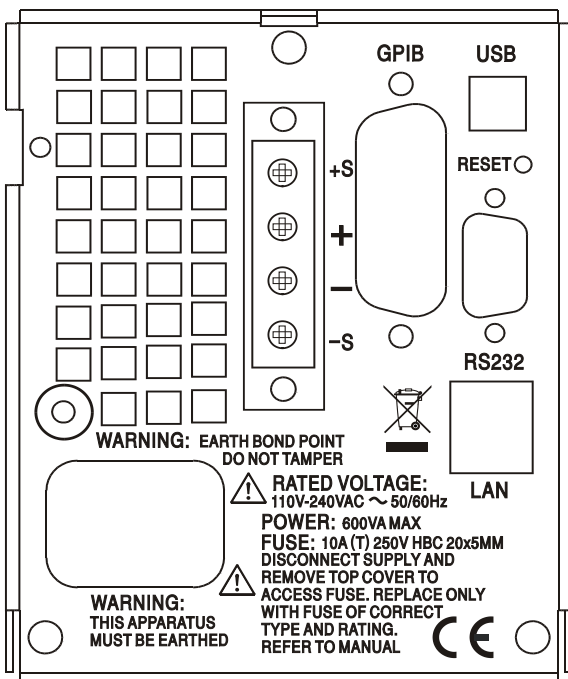


La carga debe conectarse a los terminales OUTPUT (salida) positivo (rojo) y negativo (negro). Los terminales OUTPUT tienen una intensidad nominal de 30 A.

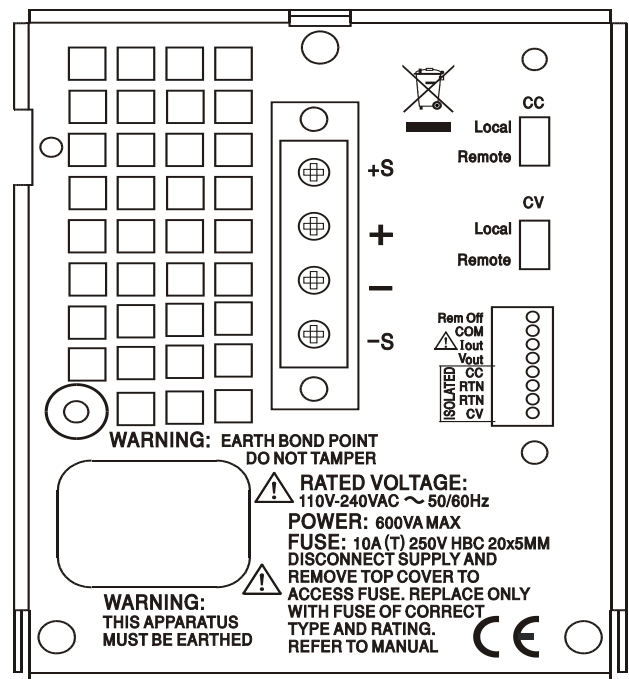
Las conexiones de detección remota a la carga, si son requeridas, se efectúan desde los terminales SENSE (detección remota) positivo (+) y negativo (-). Sitúe el interruptor LOCAL/REMOTE (local / remoto) en REMOTE si requiere detección remota. Vuelva a situarlo en LOCAL si no usa detección remota.

El terminal  $\perp$  se conecta al bastidor y a la toma de tierra de seguridad.

## Conexiones del panel trasero (XPF 60-20P y XPF 60-20A)



**XPF 60-20P**



**XPF 60-20A**

---

## Terminales de salida

Los terminales de salida y detección remota se encuentran duplicados en los bloques de terminales del panel trasero, encontrándose indicados como +O/P, -O/P, +S y -S. Estas conexiones funcionan en paralelo con sus equivalentes del panel frontal.

Sitúe el interruptor LOCAL/REMOTE en REMOTE si requiere detección remota. Cuando se usen los terminales de salida del panel trasero, se recomienda siempre emplear la detección remota para asegurar así que la regulación de la salida se mantenga dentro de las especificaciones; las conexiones pueden realizarse bien a los terminales del panel frontal o a los del trasero, pero nunca a ambos pares al mismo tiempo. Vuelva a situar el interruptor en LOCAL si no usa detección remota.

## Control remoto analógico (solo XPF 60-20A)

Los conectores CV y CC proporcionan control analógico para Output Voltage (tensión de salida) y Current Limit (límite de corriente) respectivamente cuando los interruptores deslizantes CV y CC se encuentran en la posición Remote. Tanto estas entradas como su señal común de retorno (RTN) están aisladas de la salida; su aislamiento nominal con respecto a la salida es de hasta 300 V. El escalado de entrada puede fijarse de forma independiente, mediante vínculos internos, en los rangos de 0 a 5 voltios (configuración de fábrica) o de 0 a 10 voltios para una salida máxima del 0% al 100%. La entrada máxima permisible es de 60 V. CV y CC pueden ser usados de manera independiente o juntos.

Vuelva a colocar los interruptores deslizantes CV y CC en la posición Local cuando no se emplee el control remoto analógico.

## Salida analógica (solo XPF 60-20A)

Los conectores  $V_{OUT}$  y  $I_{OUT}$  proporcionan salidas analógicas escaladas a la tensión de salida fijada y al límite de corriente fijado respectivamente. El escalado se encuentra fijado al rango de 0 a 5 voltios para una salida máxima del 0% al 100%. Las salidas  $V_{OUT}$  y  $I_{OUT}$  siempre tienen sus terminales activos, independientemente de si el aparato se encuentra en modo de control local o remoto.



**¡Advertencia! COM está referenciado al circuito de control de salida, y estará dentro de ~1 V del potencial de salida positiva. Las salidas  $V_{OUT}$  y  $I_{OUT}$  siempre tienen sus terminales activos.**



No aplique tensiones externas a estos terminales.

## Control remoto encendido / apagado (solo XPF 60-20A)

El cierre de un interruptor o una bajada lógica entre las conexiones Rem Off (control remoto apagado) y COM (común) desconectará la salida.



**¡Advertencia! COM está referenciado al circuito de control de salida, y estará dentro de ~1 V del potencial de salida positiva.**



No aplique tensiones externas a estos terminales.

---

## RS232 (solo XPF 60-20P)

Conector hembra en D de 9 patillas con las señales abajo indicadas. Puede conectarse a un puerto de PC estándar por medio de un cable macho-hembra con todas las conexiones de uno a uno, sin ningún cruce.

Patilla	Nombr e	Descripción
1	RI	Señal pasiva (+V con 10 k $\Omega$ )
2	TXD	Datos transmitidos desde el instrumento
3	RXD	Datos recibidos en el instrumento
4	CTS	
5	GND	Toma de tierra
6	RTS	Señal pasiva (+V con 10 k $\Omega$ )
7	DSR	Sin conexión interna
8	DTR	
9	CD	Sin conexión interna

La señal de tierra se conecta a la tierra del instrumento.

## USB (solo XPF 60-20P)

El puerto USB se conecta a la toma de tierra del instrumento. Utiliza el protocolo USB 2.0 (máxima velocidad) y admite un cable USB estándar. La función *plug and play* de Windows debería detectar automáticamente la conexión. Si no localiza el controlador correcto, siga las instrucciones de Windows en pantalla e instale los archivos requeridos desde el CD suministrado.

## LAN (solo XPF 60-20P)

La interfaz LAN está diseñada para ser compatible con la versión 1.2 del estándar LXI (Lan eXtensions for Instrumentation); el instrumento es compatible con la clase C. Su control remoto a través de la interfaz LAN es posible mediante el protocolo de sockets de TCP/IP. Además, también incorpora un servidor web básico que proporciona información sobre la unidad y permite configurarla. Debido a la posibilidad de una configuración incorrecta de la interfaz LAN que hiciera imposible la comunicación con el instrumento a través de ella, un botón protegido situado en el panel trasero proporciona un mecanismo de inicialización de la configuración de red (LAN Configuration Initialise, LCI) para reiniciar la unidad a los valores de fábrica por defecto.

Se facilitan más detalles en el capítulo «Manejo remoto». Para más información sobre la norma LXI consulte [www.lxistandard.org/home](http://www.lxistandard.org/home)

## GPIB (solo XPF 60-20P)

Las señales de tierra del GPIB están conectadas a la tierra del instrumento. Los subconjuntos implementados son los siguientes:

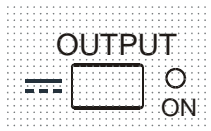
SH1 AH1 T6 TE0 L4 LE0 SR1 RL1 PP1 DC1 DT1 C0 E2

La dirección GPIB se ajusta desde el panel frontal.


## Encendido

El interruptor POWER (alimentación) está situado en la parte inferior izquierda del panel frontal.

Al encender el interruptor POWER, el medidor inferior indicará brevemente la revisión de firmware del instrumento; en el XPF 60-20P se mostrará a continuación la revisión de firmware de la interfaz (el medidor superior muestra **IF**) antes de que la pantalla pase a indicar los voltios y los amperios; el piloto LAN (red de área local) situado en la esquina superior derecha de los medidores de salida también se iluminará, apagándose después de unos 30 segundos si no se encuentra una LAN operativa. Consulte el párrafo sobre Error de LAN en la sección Interfaz LAN.



Al encender, la configuración de fábrica es que la salida esté apagada. Los voltios y corriente de salida configurados estarán determinados por la configuración del control actual, mostrándose en la pantalla. El piloto VIEW (ver) se ilumina para indicar que lo que se muestra son los valores configurados. El resto de parámetros permanecerán igual que tras el último apagado.

El estado de la salida de corriente continua (DC) al encender puede configurarse como «siempre apagada» o «igual que antes del último apagado». Para cambiarlo: Manteniendo pulsada la tecla VIEW, pulse y mantenga la tecla OUTPUT ; la pantalla mostrará primero la configuración actual durante 1 segundo (que será **OP OFF**, apagada, si no se ha cambiado la configuración de fábrica) antes de que parpadee la nueva configuración durante 2 segundos (**LAST Set** en este caso, es decir, igual que antes del último apagado). Tras 2 segundos, la nueva configuración pasará a mostrarse fijamente en pantalla y se aplicará el cambio; ya puede soltar las teclas OUTPUT y VIEW. Si repite el procedimiento, la configuración volverá a su estado anterior.

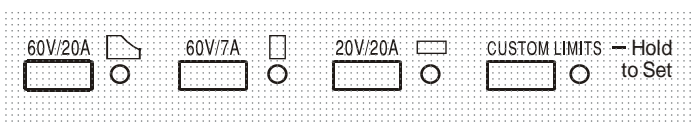
## Configuración de la salida

Con el interruptor POWER encendido ( I ) y OUTPUT (salida) apagado, la tensión de salida y el límite de corriente pueden ser configurados con precisión usando los controles VOLTAGE (tensión) y CURRENT (corriente); el medidor superior muestra la tensión establecida y el medidor inferior muestra la máxima corriente configurada.

Cuando el interruptor OUTPUT está encendido, se iluminan los pilotos OUTPUT ON (salida encendida) y CV (tensión constante); el medidor superior sigue mostrando la tensión configurada pero el inferior muestra ahora la corriente de carga actual.

## Selección de rangos y límites personalizados

Existen cuatro rangos posibles, que se seleccionan mediante las teclas situadas justo debajo de la pantalla. El piloto asociado se ilumina para mostrar el rango elegido. Puesto que el cambio de rangos puede modificar la tensión de salida, esta opción solamente se permite con la salida apagada. Si se intenta cambiar el rango con la salida activada, la pantalla mostrará brevemente el mensaje **turn OFF** (apague), y el piloto de la salida parpadeará para indicar al usuario que la apague. El rango seleccionado de fábrica es el PowerFlex de 60 V / 20 A, que limita la corriente



Po máxima con la tensión seleccionada a aquella determinada por la envolvente de potencia o bien 20 A, lo que sea menor. Consulte el párrafo sobre el Límite de potencia, más adelante en esta sección.

Los rangos 60 V / 7 A y 20 V / 20 A funcionan convencionalmente de manera que sea posible operar con CV (tensión constante) en todo el rango de tensión, siempre y cuando la corriente de carga se encuentre por debajo del máximo del rango; el funcionamiento siempre estará dentro de la envolvente de potencia del instrumento. Los controles VOLTAGE y CURRENT siempre se escalarán para que el rango máximo se fije cuando estén en su posición límite girándolos en el sentido de las agujas del reloj.



---

La función CUSTOM LIMITS (límites personalizados) permite al usuario redefinir los valores máximos de los controles VOLTAGE y CURRENT de manera que operen sobre rangos específicos menores. Esto no sólo ofrece la ventaja de proteger contra la aplicación accidental de, por ejemplo, tensiones excesivas sobre la carga, sino que también ofrece un control analógico de mayor resolución sobre los rangos especificados usando la rotación completa de 300° de los controles.

Para fijar los nuevos CUSTOM LIMITS, apague la salida y seleccione el rango 60 V / 20 A; los límites se mostrarán en la pantalla. Use los controles MAIN (principal) y FINE (preciso) de VOLTAGE y el control CURRENT para fijar con precisión los nuevos límites requeridos. Mantenga pulsada la tecla CUSTOM LIMITS; los nuevos límites parpadearán en las pantallas durante ~2 segundos, tras lo cual la pantalla inferior (A) mostrará **SET** (fijado) para informar de que los nuevos límites han sido almacenados. Suelte la tecla; las pantallas muestran ahora los límites fijados para V e I correspondientes a la posición de los mandos giratorios dentro de los rangos recién definidos.

Si los nuevos límites quedan fuera de la envolvente de potencia (consulte el párrafo acerca del límite de potencia más adelante) de forma que el funcionamiento pudiera cambiar de CV o CC (corriente constante) a UNREG (límite de potencia sin regular) bajo ciertas condiciones de carga, el piloto CUSTOM LIMITS indicará esto durante el proceso de configuración mediante un parpadeo, que continuará hasta que suelte la tecla de rango. Si el piloto se encuentra constantemente iluminado durante la configuración, ello indica que  $V_{MAX} \times I_{MAX} < 420 \text{ W}$ , y que el funcionamiento deberá por tanto permanecer normalmente en modo CV o CC. CUSTOM LIMITS seguirá seleccionado hasta que se presione otra tecla de rango. Si se vuelve a seleccionar CUSTOM LIMITS mediante una breve pulsación de la tecla, se activarán los límites personalizados configurados la última vez.

Cuando CUSTOM LIMITS está seleccionado, el límite del control MAIN, de VOLTAGE, es exactamente el fijado mediante el procedimiento anterior cuando el control FINE (preciso) se encuentra en su punto intermedio, marcado en el panel con •. El propio control FINE puede ser eficazmente usado para aportar un ajuste preciso adicional de  $\pm 1\%$  (del máximo del rango).

### **Tensión constante**

La tensión de salida se ajusta usando los controles de VOLTAGE MAIN y FINE; el control CURRENT establece la corriente máxima que puede ser suministrada.

El piloto CV se enciende para indicar el modo de tensión constante.

### **Corriente constante**

Si la resistencia de carga es lo suficientemente baja de modo que, a la tensión de salida establecida, fluiría una corriente superior al ajuste del límite de corriente, el suministro eléctrico pasará automáticamente a funcionamiento en corriente constante. La salida de corriente es ajustada mediante el control CURRENT mientras que los controles de VOLTAGE establecen la tensión máxima que puede ser generada.

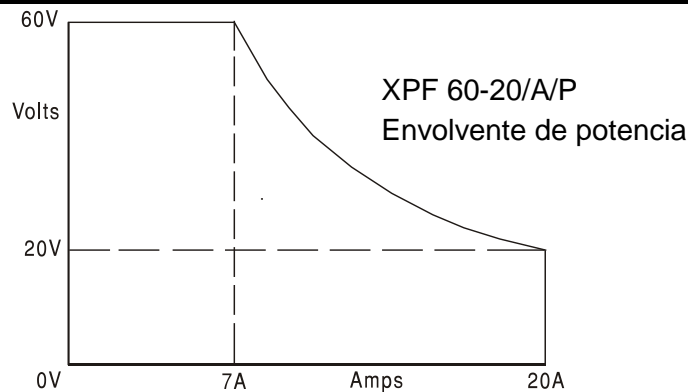
El piloto CC se enciende para indicar el modo de corriente constante.

### **Salida de corriente instantánea**

El control de límite de corriente se puede ajustar para limitar la corriente de salida continua a niveles de hasta 10 mA. Sin embargo, comúnmente a todos los suministros de corriente en banco de precisión, un condensador está conectado a la salida para mantener la estabilidad y una respuesta transitoria correcta. Este condensador se carga a la tensión de salida, y el cortocircuitado de dicha salida generará un impulso de corriente cuando el condensador se descargue, lo cual es independiente del ajuste del límite de corriente.

### **Límite de potencia**

La corriente máxima para las distintas configuraciones de tensión se ve limitada por la envolvente de potencia que se ilustra a continuación:



La envolvente de potencia está configurada para proporcionar 60 V / 7 A, 42 V / 10 A y 20 V / 20 A bajo todas las condiciones de suministro (con carga en ambas salidas); a tensiones de salidas más bajas, la potencia de salida está restringida por el máximo de corriente de 20 A.

Cuando se exceda el límite de potencia, el indicador de estado pasará de CV o CC a UNREG. Por ejemplo, si el suministro está fijado a 20 V con el límite de corriente al máximo y se conecta a una carga de 2  $\Omega$ , se proporcionarán 10 amperios y el suministro estará en modo CV. A medida que se incremente la tensión sobre la carga, su potencia aumenta hasta que, al llegar a unos 29 V, se supera el límite de potencia y el suministro pasa de CV a UNREG.

### Conexión a la carga

La carga debe conectarse a los terminales OUTPUT positivo (rojo) y negativo (negro) del panel frontal. Ambos son totalmente flotantes y cualquiera de ellos puede ser conectado a tierra. Como alternativa, en el XPF 60-20A/P la conexión puede efectuarse a los terminales Output duplicados del panel trasero, algo muy conveniente al usar el instrumento en bastidor.

Al emplear estos siempre se recomienda usar la detección remota para asegurarse de que la regulación de salida se mantiene dentro de la especificación. Consulte la sección Detección remota a continuación. Cuando los terminales Output del panel trasero se empleen sin detección remota, compruebe que el interruptor del panel frontal se encuentra en la posición LOCAL. Al usar detección local se degradará ligeramente la regulación como resultado de la pequeña caída de tensión en el cableado interno de los terminales traseros.

### Detección remota

La unidad tiene una impedancia de salida sumamente baja, pero ésta se ve inevitablemente incrementada por la resistencia de los cables de conexión. En corrientes elevadas, ello puede ocasionar diferencias significativas entre la tensión de origen indicada y la tensión real de carga (por ejemplo, dos cables de 20 m $\Omega$  conectados disminuirán 0,2 V a 20 amperios). Este problema se puede minimizar utilizando cables de conexión cortos y gruesos, aunque cuando sea necesario se puede solucionar completamente utilizando la capacidad de detección remota.

Para ello, hay que conectar los terminales de detección a la salida en la carga en lugar de en el origen. Introduzca los cables en los terminales de muelle SENSE y conéctelos directamente a la carga. Sitúe el interruptor LOCAL/REMOTE en REMOTE. Para evitar problemas de respuesta transitoria e inestabilidad, deberá asegurarse de que haya un buen acoplamiento entre cada cable de salida y detección. Esto puede hacerse retorciendo los cables juntos o usando cables coaxiales apantallados (detección a través del interior). También puede ser ventajoso instalar un condensador electrolítico directamente en el punto de conexión de carga.

La caída de tensión en cada cable de salida no debe ser superior a 0,5 voltios.

Vuelva a situar en LOCAL el interruptor LOCAL/REMOTE si no usa detección remota.

Cuando se usen los terminales Output del panel trasero en el XPF 60-20A/P, se recomienda siempre emplear la detección remota para asegurar así que la regulación de la salida se mantenga dentro de las especificaciones; las conexiones pueden realizarse bien a los terminales del panel frontal o a los del trasero, pero nunca a ambos pares al mismo tiempo. Conecte los

---

terminales Sense a la carga siguiendo las recomendaciones anteriores y coloque el interruptor LOCAL/REMOTE en la posición REMOTE.

### Conexión en serie o paralelo con otras unidades

La salida de la fuente de alimentación es totalmente libre y se puede utilizar en serie con otras fuentes de alimentación para generar tensiones elevadas de corriente continua de hasta 300 V.



La tensión máxima admisible entre cualquier terminal y la toma de tierra ( $\perp$ ) es de 300 V CC.

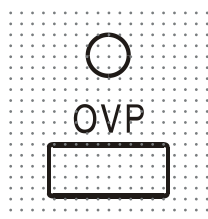
**¡ADVERTENCIA!** Estas tensiones son muy peligrosas y se debe poner especial cuidado en proteger los terminales de salida para este uso. Bajo ninguna circunstancia se deben tocar los terminales de salida cuando se conecta la unidad para dicho uso. Todas las conexiones a los terminales se deben hacer con la alimentación desconectada en todas las unidades.

Debe tenerse en cuenta que la unidad sólo puede generar corriente y no puede absorberla, por lo que no se deberá conectar en serie en antifase.

La unidad se puede conectar en paralelo con otras unidades para generar corrientes más grandes. Cuando se conecten varias unidades en paralelo, la tensión de salida será igual que la de la unidad con el mayor ajuste de tensión de salida, hasta que la corriente extraída sobrepase su ajuste de límite de corriente; en este punto la salida disminuirá hasta el siguiente ajuste más alto y así sucesivamente. En el modo de corriente constante, las unidades se pueden conectar en paralelo para ofrecer una corriente igual a la suma de los ajustes de límite de corriente. Para un funcionamiento óptimo, conecte las fuentes de alimentación por separado a la carga.

Tenga en cuenta que los terminales de salida tienen un régimen máximo de 30 A. Si se utilizan dos o más salidas en paralelo para generar corrientes mayores, la conexión se debe realizar en un punto separado, y no en uno de los terminales.

### Protección



La protección contra sobretensión (OVP) es totalmente variable en el rango de 1 a 66 V. Su límite se fija mediante el potenciómetro ajustable con destornillador al que se puede acceder a través de un orificio en el panel frontal, justo sobre la tecla OVP. Al girarlo en dirección de las agujas del reloj se aumenta el límite, que puede leerse directamente en la pantalla pulsando la tecla OVP bajo el ajuste. Si la salida de tensión supera la definida en la OVP por cualquier razón, incluyendo una tensión forzada externamente, la salida se desconectará.

La protección contra sobrecorriente (OCP) está implementada vía firmware, por lo que solamente podrá seleccionarse y utilizarse bajo control remoto a través de las interfaces RS232, USB, LAN (LXI) o GPIB (solo XPF 60-20P). La resolución configurada es de 10 mA y los tiempos típicos de respuesta, de 500 ms. En modo local y para la XPF 60-20/A, la OCP permanece activa pero automáticamente se sitúa en 22 amperios.

Cuando salte la protección en la salida, las pantallas mostrarán **OVP trip** (protección de salida activada) y el piloto OUTPUT se iluminará. Desactive la salida y el mensaje será reemplazado por las lecturas normales configuradas para V e I. Cuando se haya corregido la causa de la desconexión, la salida se puede conectar de nuevo.

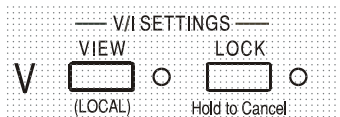
Incluso con la salida desactivada, la carga sigue conectada a la fase de la fuente de alimentación. No aplique tensiones superiores a 70 V en los terminales de la fuente de alimentación o podría producir daños en ella.

La salida está protegida contra tensiones inversas mediante un diodo. La corriente inversa continua no debe exceder los 3 amperios, si bien las transitorias pueden ser mucho más altas.

## Protección contra sobretemperatura

Un detector interno ubicado en el disipador secundario detectará cualquier exceso de temperatura debido a una obstrucción en la circulación del aire, un ventilador averiado u otro fallo ocurrido en el circuito. Al producirse la sobretemperatura, la salida se desactivará, el indicador OUTPUT parpadeará y la pantalla visualizará el mensaje OtP triP (protección de sobretemperatura activada). La salida permanecerá desconectada incluso una vez que el disipador se haya enfriado. Cuando se haya corregido la causa de la sobretemperatura y el disipador se haya enfriado hasta temperaturas de funcionamiento normales, puede reiniciar la salida colocando el interruptor POWER en apagado (O) y encendiéndolo de nuevo (I). View Settings

## Ajustes de visualización



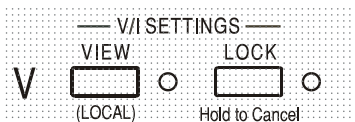
El límite de corriente y la tensión establecidos se muestran siempre con la salida desactivada, pero también pueden ser visualizados pulsando la tecla VIEW. El piloto VIEW estará encendido mientras la tecla VIEW permanezca pulsada.

## Ajustes de bloqueo

Al pulsar la tecla LOCK (bloqueo) se bloquean digitalmente el límite de corriente y la tensión establecida. Los ajustes se almacenan con una precisión de un dígito. Los posteriores ajustes realizados con los controles VOLTAGE y CURRENT no tendrán ningún efecto.

Debido a que si se cancela LOCK los ajustes de la salida cambiarán si se han desplazado las posiciones de control de VOLTAGE y CURRENT, antes de cancelar dicho bloqueo se proporcionará un recordatorio advirtiéndolo. Mantenga pulsada la tecla LOCK para cancelar el bloqueo.

Si OUTPUT está desconectado (estado seguro), los valores de los ajustes desbloqueados parpadearán en pantalla dos veces antes de efectuar el cambio; después se apagará el piloto LOCK.



Si la salida sigue activada, **OP on** (salida activada) parpadeará dos veces en la pantalla, seguido de los nuevos ajustes desbloqueados durante 2-3 segundos (lentamente al principio y después más rápido) antes de que se aplique finalmente el cambio; el piloto LOCK se apagará cuando se efectúe este.

Si se deja de pulsar LOCK mientras la pantalla parpadea, se cancelará el desbloqueo.

No es posible seleccionar un rango distinto mientras LOCK está habilitado; en caso de intentarlo se mostrará brevemente en la pantalla el mensaje **UnLoc** (desbloquee) mientras parpadea el piloto LOCK. Si la salida está activada al realizar estas acciones, la pantalla mostrará primero el mensaje **turn OFF** (apague) mientras el piloto de la salida parpadea, seguido del mensaje **UnLoc** (desbloquee) mientras el piloto LOCK parpadea.

El estado de LOCK al encender la unidad será el mismo que hubiera al apagarla.

# Control analógico remote (solo XPF 60-20A)

El control remoto analógico de la tensión y la corriente de salida es posible usando tensiones de control externas variables aplicadas entre las entradas CV o CC del panel trasero y las entradas de retorno (RTN) respectivamente. Estas entradas están aisladas de la salida; el aislamiento nominal con respecto a la salida es de hasta 300 V. Las entradas están protegidas frente a sobretensiones de entrada de hasta 60 V.

Las tensiones de control de salida analógicas  $V_{out}$  y  $I_{out}$  de una unidad actuando como *maestra* pueden emplearse para controlar una unidad *esclava* por medio de las entradas esclavas CV y CC respectivamente.

## Control analógico de tensión

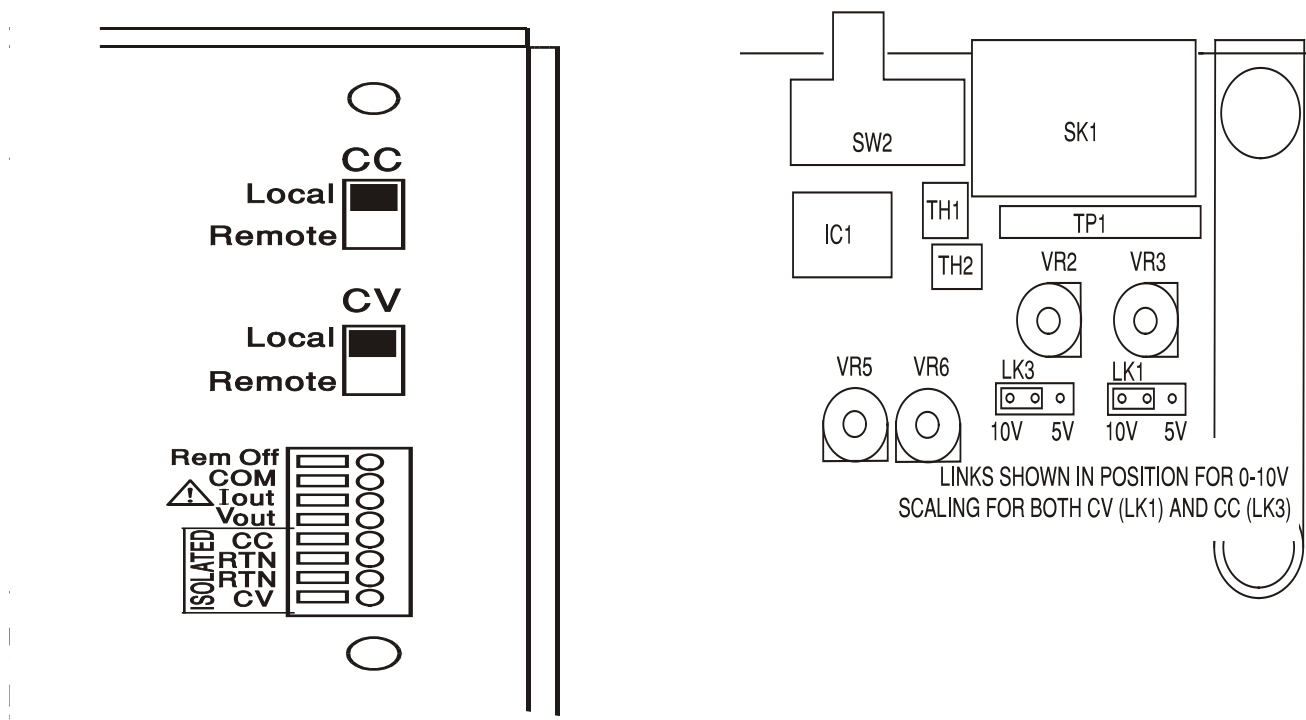
El control remoto analógico de la tensión se logra colocando el interruptor CV del panel trasero en Remote y aplicando una tensión de programación entre las entradas CV y RTN.

Los controles VOLTAGE del panel frontal y la selección del rango de tensión se deshabilitan cuando el interruptor CV se encuentra en la posición Remote. Para devolver el control al panel frontal, coloque el interruptor en Local.

El escalado por defecto de la tensión de entrada es de 0 V a 5 V para un porcentaje del 0% al 100% sobre la tensión máxima de salida. El escalado de la tensión de entrada puede cambiarse para que sea de 0 V a 10 V cambiando un puente interno. Desconecte el instrumento de la fuente de corriente alterna y extraiga la carcasa como se indica a continuación. Retire los dos remaches de plástico de cada borde lateral de la cubierta superior. Suelte los remaches haciendo palanca con la punta de un destornillador pequeño y, a continuación, retírelos por completo. Retire los tres tornillos del panel trasero que sujetan la cubierta superior; deslice hacia atrás la cubierta para levantarla y sacarla.

Utilizando como referencia la vista superior de la unidad que se muestra en el gráfico, mueva el puente de la posición LK1 para que enlace la patilla central con la patilla «10 V» en lugar de la patilla central con la patilla «5 V».

La entrada CV en modo Remote puede usarse con la entrada CC bien en modo Local o Remote.



## Control analógico de corriente

El control remoto analógico de la corriente se logra colocando el interruptor CC del panel trasero en Remote y aplicando una tensión de programación entre las entradas CC y RTN.

Los controles de CURRENT del panel frontal y la selección del rango de corriente se deshabilitan cuando el interruptor CC se encuentra en la posición Remote. Para devolver el control al panel frontal, coloque el interruptor en Local.

El escalado por defecto de la tensión de entrada es de 0 V a 5 V para un porcentaje del 0% al 100% sobre la corriente máxima de salida. El escalado de la tensión de entrada puede cambiarse para que sea de 0 V a 10 V cambiando un puente interno. Desconecte el instrumento de la fuente de corriente alterna y extraiga la carcasa como se indica a continuación.

Retire los remaches de plástico de cada borde lateral de la cubierta superior. Suelte los remaches haciendo palanca con la punta de un destornillador pequeño y, a continuación, retírelos por completo. Retire los tres tornillos del panel trasero que sujetan la cubierta superior; deslice hacia atrás la cubierta para levantarla y sacarla.

Utilizando como referencia la vista superior de la unidad que se muestra en el gráfico, mueva el puente de la posición LK3 para que enlace la patilla central con la patilla «10 V» en lugar de la patilla central con la patilla «5 V».

La entrada CC en modo Remote puede usarse con la entrada CV bien en modo Local o Remote.



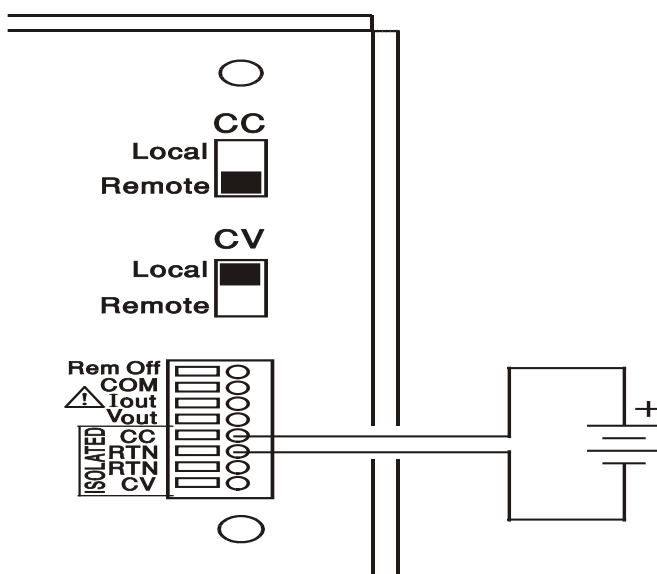
**PRECAUCIÓN.** No aplique a las entradas CV o CC tensiones de control externas que superen el máximo para el rango de entrada fijado (5 V o 10 V). Aunque las entradas están protegidas contra sobretensiones, la unidad intentará suministrar una tensión o corriente de salida superior a su máximo nominal si la tensión de control supera el límite del rango, con el consiguiente riesgo de daños.

## Consideraciones prácticas al usar CV y CC

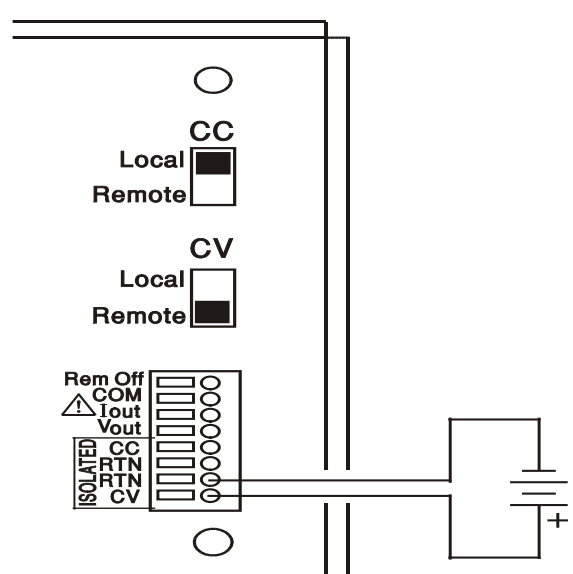
La estabilidad de las tensiones de control afecta directamente a la estabilidad de la salida. Cualquier ruido en las señales de control generará ruido en la salida. Para minimizarlo, conecte las tensiones de control a las entradas CV, CC y RTN utilizando pares trenzados o apantallados (la pantalla conectada a tierra solamente en un extremo) y mantenga las conexiones lo más cortas posible. Tenga en cuenta que el ruido de salida será por definición ligeramente mayor al usar el control remoto analógico, como resultado del ruido intrínseco de la circuitería de entrada. Consulte las especificaciones.

Los siguientes diagramas muestran las conexiones para el control de tensión constante (CV) y corriente constante (CC) mediante una tensión externa.

Control de la tensión constante



Control de la corriente constante



---

Observe que, con OUTPUT activado, la pantalla del instrumento siempre mostrará la tensión y la corriente de salida real, independientemente de la fuente de control activa. Sin embargo, cuando OUTPUT está desactivado, la pantalla mostrará la tensión y la corriente fijadas por los controles del panel frontal (o la interfaz digital, si está activa) y no los valores determinados por las entradas CV y CC, incluso aunque hayan sido activadas (CV y CC posicionados en Remote). Para evitar confusiones, se recomienda fijar los controles del panel frontal al mínimo cuando se empleen las entradas CV y CC en remoto.

### Tensiones de control de salida analógicas

Las tensiones de control de salida analógicas  $V_{out}$  y  $I_{out}$  se generan a partir de las tensiones de control internas reales, para las que la fuente activa puede ser los controles del panel frontal o las entradas analógicas remotas CV y CC.  $V_{out}$  y  $I_{out}$  se escalan de forma tal que del 0% al 100% de la tensión y corriente máximas de salida se generan de 0 V a 5 V en los terminales  $V_{out}$  y  $I_{out}$  del panel trasero con respecto a COM.  $I_{out}$  siempre se corresponde con la corriente fijada, independientemente de si la salida está o no activada, pero  $V_{out}$  pasa a 0 V con la salida desactivada.



**¡Advertencia! COM está referenciado al circuito de control de la salida, y estará dentro de ~1 V del potencial de salida positiva. Las salidas  $V_{OUT}$  y  $I_{OUT}$  siempre tienen sus terminales activos.**

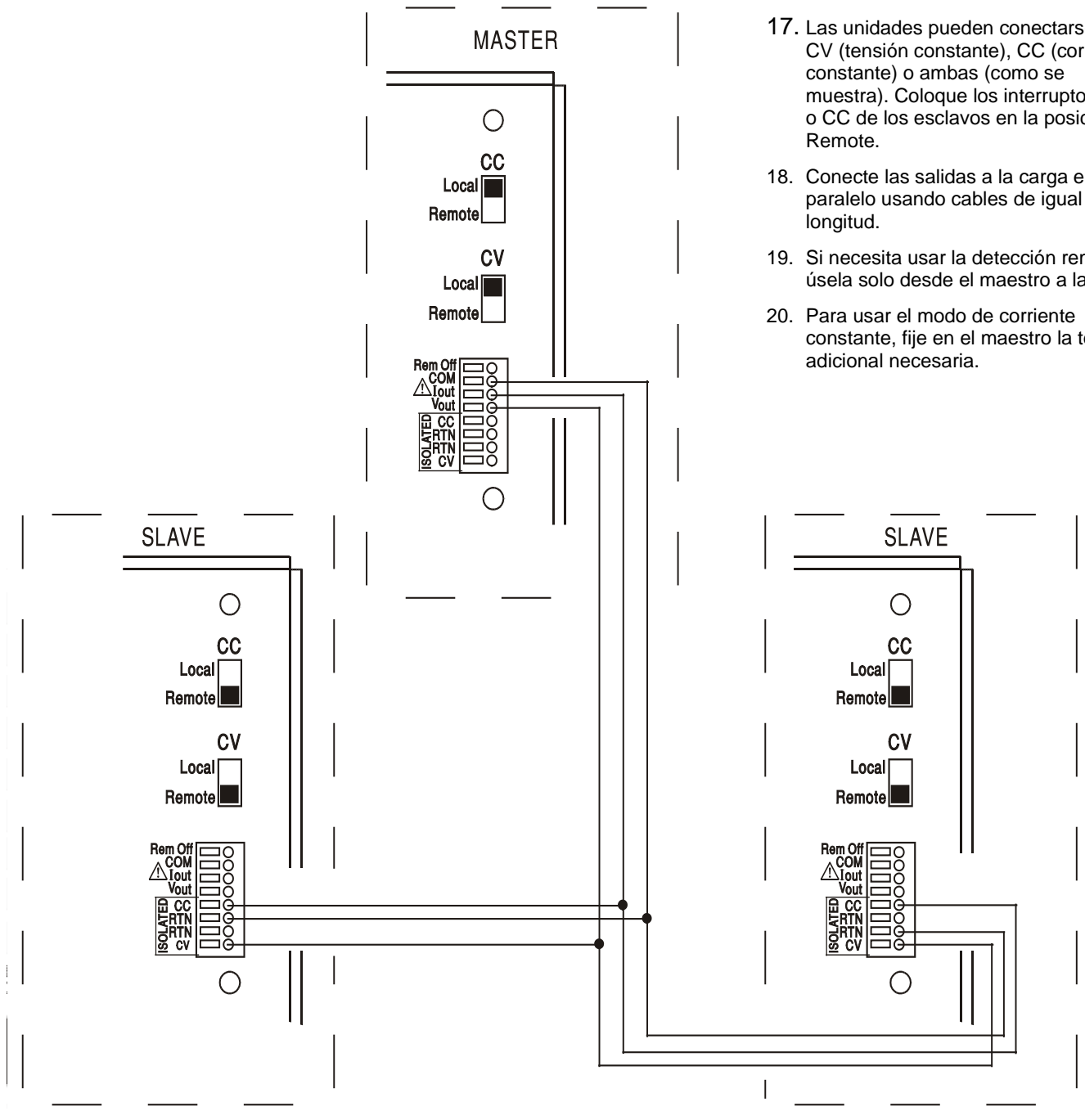
## Funcionamiento en paralelo mediante la configuración maestro-esclavo

El manejo en paralelo con la configuración maestro-esclavo permite alcanzar corrientes de salida mayores compartiendo entre unidades la misma corriente y controlando desde una sola de ellas tanto la tensión como la corriente. El diagrama muestra tres unidades conectadas en paralelo. Para compartir la misma corriente, cada unidad deberá conectarse independientemente a la carga con pares de cables del mismo calibre y longitud, de forma que se logre una caída de tensión igual. Conecte según se indica las salidas  $V_{out}$ ,  $I_{out}$  y COM del maestro a las entradas CV, CC y RTN de los esclavos (coloque los interruptores CV y CC en la posición Remote).

## Funcionamiento en paralelo mediante la configuración maestro-esclavo

### Notas:

17. Las unidades pueden conectarse para CV (tensión constante), CC (corriente constante) o ambas (como se muestra). Coloque los interruptores CV o CC de los esclavos en la posición Remote.
18. Conecte las salidas a la carga en paralelo usando cables de igual longitud.
19. Si necesita usar la detección remota, úsela solo desde el maestro a la carga.
20. Para usar el modo de corriente constante, fije en el maestro la tensión adicional necesaria.



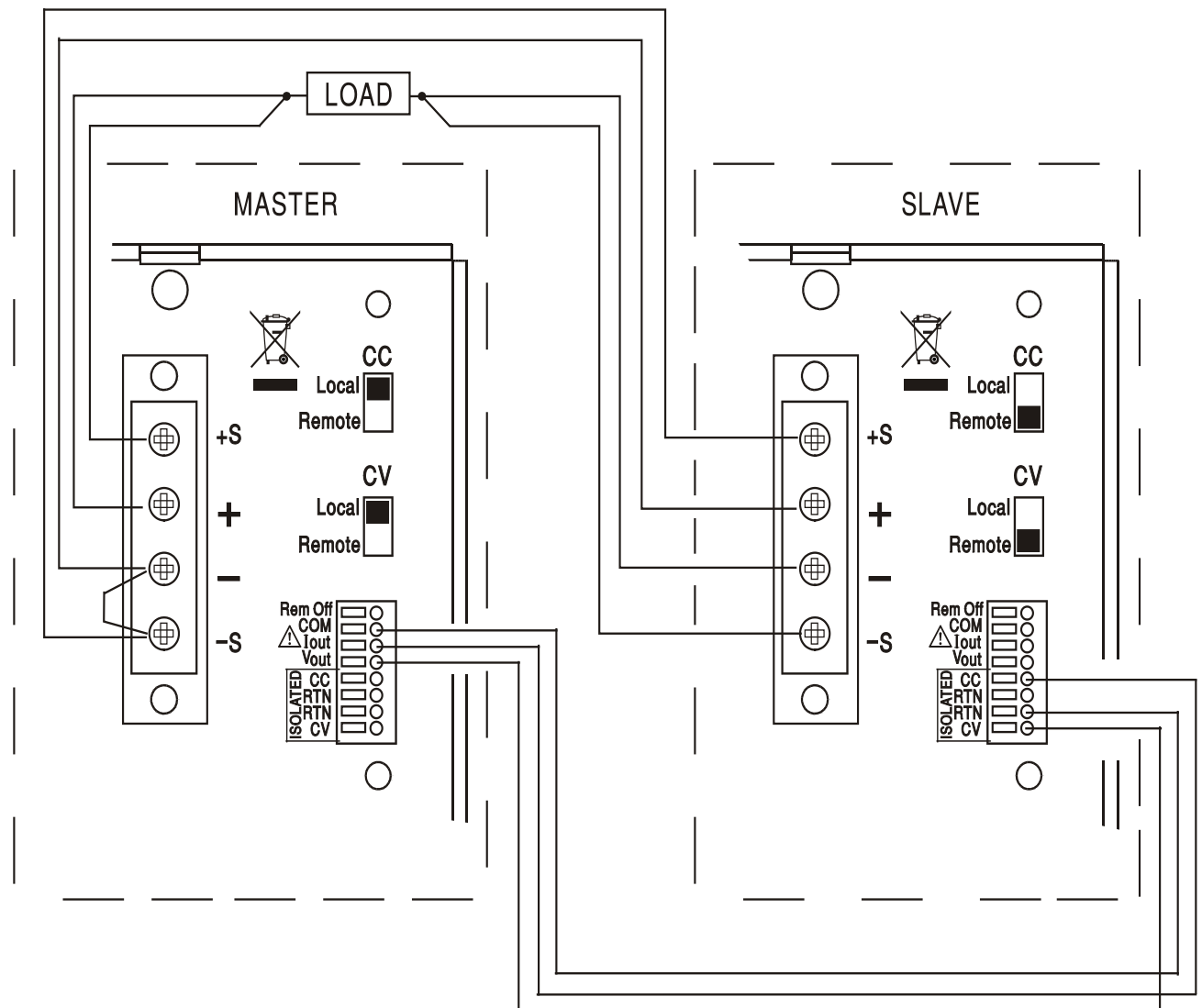


La tensión y la corriente del maestro pueden fijarse bien desde los controles del panel frontal, a través de la interfaz digital o aplicando una tensión externa a sus propias entradas de control analógico CV y CC.

En modo de tensión constante, la tensión sobre la carga será la configurada en la unidad maestra desde sus controles frontales, a través de la interfaz digital o mediante la entrada de control remoto analógico CV. El límite de corriente del sistema (es decir, la corriente en el modo de corriente constante) será el que se haya fijado en la unidad maestra multiplicado por  $n$ , siendo  $n$  el número total de unidades conectadas en paralelo.

### Funcionamiento aislado o en serie mediante la configuración maestro-esclavo

El funcionamiento aislado o en serie con la configuración maestro-esclavo permite configurar el seguimiento de las tensiones de salida y de los límites de corriente para varias unidades desde un único instrumento. El diagrama muestra dos unidades conectadas en serie para un seguimiento de voltios  $\pm$  y límites de corriente. Conecte según se indica las salidas  $V_{out}$ ,  $I_{out}$  y COM del maestro a las entradas CV, CC y RTN de los esclavos (coloque los interruptores CV y CC en la posición Remote).



El diagrama muestra las conexiones de detección remota a la carga; coloque el interruptor de detección del panel frontal en la posición Remote. Si no es necesaria la detección remota, no utilice los cables de detección y coloque el interruptor de detección en Local.

---

Si se necesitan límites de corriente independientes, coloque el interruptor CC en Local y fije los límites desde el panel frontal de cada unidad.



**¡Advertencia!** Cuando use la unidad en serie, cuide de no superar la tensión nominal de funcionamiento máxima (300 V) de ningún terminal con respecto a tierra ( $\perp$ ).

### **Modo remoto desconectado**

El cierre de un interruptor o una bajada lógica entre las entradas Rem Off y COM del panel trasero desconectará la salida si se encontraba encendida; el piloto OUTPUT del panel frontal también se apagará. Al abrir el interruptor entre Rem Off y COM, la salida se activará de nuevo.



**¡Advertencia!** COM está referenciado al circuito de control de la salida, y se encontrará dentro de ~1 V del potencial de salida positiva.

---

## Manejo de la interfaz remota (solo XPF 60-20P)

El instrumento se puede controlar a distancia mediante sus interfaces RS232, USB, LAN o GPIB.

El control remoto por USB funciona de manera similar al realizado por RS232, aunque a través del conector USB. El software suministrado con el instrumento configura el PC que actúa como controlador para tratar la conexión USB como un puerto COM virtual. Las aplicaciones del PC pueden entonces acceder al instrumento a través de ese puerto COM.

La interfaz LAN está diseñada para ser compatible con la versión 1.2 del estándar LXI (Lan eXtensions for Instrumentation); el instrumento es compatible con la clase C. Su control remoto a través de la interfaz LAN es posible mediante el protocolo de sockets de TCP/IP. Además, también incorpora un servidor web básico que proporciona información sobre la unidad y permite configurarla desde un navegador web. Desde el navegador también es posible realizar un control básico por línea de comandos.

Todas las interfaces están siempre, por defecto, habilitadas (una prescripción de la norma LXI), pero el acceso individual puede restringirse mediante las opciones de configuración de las páginas web.

### Bloqueo de la interfaz

Todas las interfaces están siempre habilitadas; de este modo se elimina la necesidad de seleccionar la interfaz activa y se cumple con la prescripción de la norma LXI. Para reducir el riesgo de que el instrumento se encuentre, sin saberlo, bajo el control de dos interfaces al mismo tiempo, el conjunto de instrucciones incorpora un sencillo mecanismo de bloqueo y liberación. El bloqueo se libera automáticamente cuando es posible detectar la desconexión y cuando se pulsa el botón Local. El acceso a las interfaces puede además restringirse usando las páginas web.

Cualquier interfaz puede solicitar el control exclusivo de la unidad enviando un comando «IFLOCK» (bloqueo de interfaz). El bloqueo solamente se liberará enviando un comando «IFUNLOCK» (desbloqueo de interfaz) desde la instancia de interfaz que tenga en ese momento el bloqueo. Cualquier interfaz puede enviar el comando «IFLOCK?» (¿interfaz bloqueada?) para conocer el estado de bloqueo. La respuesta a cualquiera de estos comandos será «-1» si el bloqueo pertenece a otra instancia de interfaz, «0» si la interfaz está libre y «1» si el bloqueo pertenece a la instancia de interfaz solicitante. El envío de cualquier comando desde una interfaz sin privilegios de control que intente cambiar el estado del instrumento activará el bit 4 del Standard Event Status Register (registro de estado de eventos estándar) y colocará un 200 en el Execution Error Register (registro de errores de ejecución) para indicar que no se dispone de privilegios suficientes para la acción solicitada.

**Nota:** también es posible configurar desde la interfaz web los privilegios de una interfaz particular al modo «solo lectura» o «sin acceso».

### Selección de dirección

Tan solo la interfaz GPIB requiere estrictamente las capacidades de direccionamiento del aparato. Sin embargo, es posible hacer uso del comando ADDRESS? (¿dirección?) con cualquiera de las interfaces para identificar fácilmente qué instrumento está siendo controlado por un puerto COM (para RS232 o USB) o socket TCP (para LAN) concretos. Tenga en cuenta que la interfaz LAN dispone además de una función «Identify» (identificación) propia, accesible desde las páginas web del instrumento, que hace parpadear su pantalla hasta que se cancele la función.

La dirección se configura desde el panel frontal de la siguiente manera: Con el instrumento apagado, mantenga pulsadas simultáneamente las teclas VIEW y LOCK y enciéndalo. La pantalla mostrará **Addr** (dirección) en la sección de los voltios y **nn** en la sección de los amperios, siendo **nn** la configuración actual (por defecto **Addr 11**). El valor de la dirección puede reducirse y aumentarse usando respectivamente las teclas VIEW y LOCK desde 1 a 31, ambos incluidos (no el 0). Desde el valor 31 se rotará al 1 y viceversa. Para confirmar la dirección y abandonar el proceso se debe mantener pulsada la tecla OVP; la pantalla mostrará **SET** y la nueva dirección durante unos dos segundos, volviendo a la pantalla normal de voltios y amperios una vez aceptada la nueva dirección.

También es posible fijar la dirección desde las páginas web del instrumento.

## Manejo remoto/local

Cuando se conecta, el instrumento se encuentra en estado local, con el piloto REMOTE apagado. En esta situación es posible realizar todas las operaciones del panel frontal. Cuando el instrumento está en modo de escucha y recibe un comando, pasa al estado remoto, y se enciende el piloto REMOTE. En este modo, el panel frontal se bloquea y sólo se procesan los comandos remotos. Los ajustes para V e I y el estado de la salida permanecen sin cambios, pero si el modo LOCK se encuentra habilitado, se cancelará, y el rango se fijará a 60 V / 20 A. La configuración de detección permanecerá conforme estén los interruptores Sense del panel frontal.

El instrumento puede devolverse al estado local pulsando la tecla LOCAL (local); sin embargo, el efecto de esta acción sólo durará hasta que se vuelva a direccionar el instrumento o reciba otro carácter desde la interfaz, entonces volverá a entrar de nuevo en el estado remoto. Si se vuelve al modo local mediante esta acción o utilizando el comando LOCAL se mantendrán los últimos valores V e I fijados remotamente, con LOCK habilitado, quedando la salida en su estado actual.

## Interfaz RS232

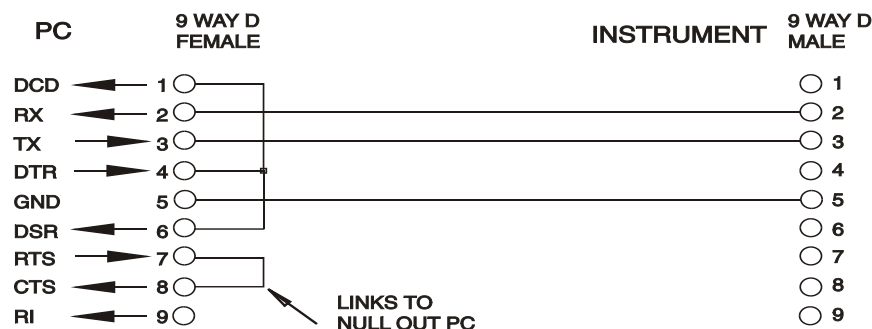
### Conector de la interfaz RS232

El conector en serie de tipo D de 9 clavijas de la interfaz se encuentra en la parte trasera del instrumento. A continuación se enumeran las conexiones de las patillas:

Patilla	Nombre	Descripción
1	RI	Señal pasiva (+V con 10 k $\Omega$ )
2	TXD	Datos transmitidos desde el instrumento
3	RXD	Datos recibidos en el instrumento
4	CTS	
5	GND	Toma de tierra
6	RTS	Señal pasiva (+V con 10 k $\Omega$ )
7	DSR	Sin conexión interna
8	DTR	
9	CD	Sin conexión interna

### Conexiones RS232

La interfaz RS232 debe conectarse a un puerto de PC estándar por medio de un cable macho-hembra con todas las conexiones de uno a uno, sin ningún cruce. Como alternativa, solamente es necesario conectar al PC las patillas 2, 3 y 5, pero interconectando en el extremo del PC las patillas 1, 4 y 6 y las patillas 7 y 8 tal como muestra el diagrama.



---

La tasa de baudios para este instrumento está fijada a 9600; los demás parámetros están configurados como sigue:

Bits iniciales: 1

Paridad: Sin paridad

Bits de datos: 8

Bits de parada: 1

## Juego de caracteres de RS232

Dado que es necesaria la negociación XON/XOFF, sólo es posible enviar datos en código ASCII; no se aceptan los bloques binarios. El bit 7 de los códigos ASCII se pasa por alto, esto es, se presupone que está desactivado. Los comandos no distinguen entre mayúsculas y minúsculas; se pueden utilizar indistintamente. Los códigos ASCII por debajo de 20H (espacio) no se emplean. En este manual, 20H, etc., significa 20 en base hexadecimal. La unidad enviará XOFF cuando queden 50 bytes libres y XON cuando esta cantidad aumente a 100 bytes.

## Interfaz USB

La interfaz USB es un puerto COM virtual que puede ser controlado desde un PC como si de un dispositivo RS232 se tratara. El instrumento se suministra con un CD que contiene un archivo .inf con los controladores estándar de Microsoft para Windows 2000, XP, Vista y Windows 7; el asistente de instalación seleccionará el controlador adecuado para el sistema operativo del PC (32 ó 64 bits). Cualquier actualización está disponible en la web de TTI, [www.tti-test.com](http://www.tti-test.com).

La instalación del controlador de la interfaz se realiza conectando el instrumento a un PC a través de un cable estándar USB. La función *plug and play* de Windows debería reconocer automáticamente el nuevo hardware que se conecte a la interfaz USB. Si es la primera vez que se realiza la conexión, se le pedirá que indique la ubicación de un controlador adecuado. A condición de que se sigan correctamente las indicaciones de Windows, el sistema operativo instalará el controlador correspondiente y establecerá un puerto COM virtual en el PC. El número del nuevo puerto COM dependerá del número de puertos COM que ya existan en el PC. El puerto COM virtual podrá ser controlado por las aplicaciones Windows exactamente igual que un puerto estándar, salvo que el ajuste de velocidad en baudios del puerto COM virtual es ignorado.

El controlador se quedará instalado en el PC, por lo que el establecimiento de un puerto COM virtual se realizará automáticamente cada vez que el instrumento se conecte al PC a través del puerto USB.

Otros puertos COM virtuales son creados para cada instrumento adicional conectado al PC vía USB. Cada instrumento es asignado un puerto COM virtual separado cuando se conecta por primera vez y el mismo puerto COM será asignado cada vez que el instrumento se conecta subsiguientemente. El software del PC utiliza el único código incrustado en el instrumento para enlazarlo al mismo puerto COM virtual pese a cuál puerto USB físico esté conectado.

También puede utilizarse el comando ADDRESS? (¿dirección?) para identificar fácilmente el instrumento que está controlado por un puerto COM determinado. Aunque la capacidad de direccionamiento es ignorada en la operación USB, la dirección todavía podrá ajustarse y utilizarse como un identificador. Ajuste cada instrumento conectado vía USB en una dirección diferente y envíe el comando ADDRESS? desde cada puerto COM virtual para confirmar qué instrumento está conectado a aquel puerto.

## Interfaz LAN

La interfaz LAN está diseñada para ser compatible con la versión 1.2 de la norma LXI y contiene las interfaces y protocolos descritos a continuación. Debido a la posibilidad de una configuración incorrecta de la interfaz LAN que hiciera imposible la comunicación con el instrumento a través de ella, un botón protegido situado en el panel trasero proporciona un mecanismo de inicialización de la configuración de red (LAN Configuration Initialise, LCI) para reiniciar la unidad a los valores de fábrica por defecto. Por defecto, el instrumento intenta obtener la configuración mediante DHCP si este se encuentra disponible; si el protocolo DHCP no responde en 30 segundos, se recurrirá a la asignación automática de IP. En el muy poco probable caso de que no se pudiera encontrar una

---

IP automática, se asignaría la IP estática 192.168.0.100. Al reiniciar la LAN se elimina cualquier protección mediante contraseña.

Para más información sobre la norma LXI consulte [www.lxistandard.org/home](http://www.lxistandard.org/home)

## Conexión LAN

Para utilizar la interfaz LAN debe conocerse la dirección IP de la unidad. El CD-ROM proporcionado incluye la herramienta LXI Discovery Tool, que puede emplearse para mostrar las direcciones IP (y otra información relacionada) de todos los dispositivos conectados compatibles con el protocolo de descubrimiento VXI-11. Esta herramienta es una aplicación para Windows que debe instalarse y ejecutarse en el PC que actúe como controlador, con el instrumento conectado bien directamente a la toma de red local del PC o bien a través de un enrutador. Es recomendable conectar a través de un enrutador puesto que la asignación de la dirección IP se realiza de forma notablemente más rápida; la conexión directa al PC solamente iniciará el proceso de asignación de IP una vez agotados los 30 segundos dedicados a intentar la conexión por DHCP. Si hace doble clic en cualquier elemento de la lista de dispositivos descubiertos se abrirá el navegador web del PC y aparecerá la página de inicio de ese dispositivo.

También se incluyen herramientas para el descubrimiento de redes locales como parte del paquete National Instruments Measurement and Automation Explorer y la aplicación Agilent Vee.

Al ser encendido por vez primera, el instrumento intenta obtener la configuración mediante DHCP si este se encuentra disponible; si el protocolo DHCP no responde en 30 segundos, se recurrirá a la asignación automática de IP. En el muy poco probable caso de que no se pudiera encontrar una IP automática, se asignaría la IP estática 192.168.0.100. Durante este tiempo, el piloto LAN se iluminará y permanecerá así en caso de que se logre establecer con éxito una conexión LAN. Sin embargo, si a la conclusión del proceso anterior todavía no se ha establecido una conexión, o si el conector LAN se saca físicamente en cualquier momento, el piloto LAN se apagará; consulte la sección Error de LAN para más información.

## Servidor web y protección de la configuración mediante contraseña

La unidad contiene un servidor web básico. En él se proporciona información sobre el instrumento y se permite configurarlo. La página de configuración puede protegerse mediante una contraseña para evitar cambios no autorizados sobre la configuración de funcionamiento remoto; la configuración por defecto es sin contraseña.

La propia página de configuración explica cómo establecer una contraseña. La contraseña puede ser de hasta 15 caracteres de longitud; tenga en cuenta que **debe dejar en blanco el nombre de usuario (User Name)**. Sin embargo, en caso de usarse el interruptor LAN RESET (reinicio de LAN) del panel trasero para reiniciar todos los parámetros de LAN a sus valores de fábrica, la contraseña también se deshabilitará.

Las páginas web cuentan también con una función «Identify» que permite al usuario enviar un comando al instrumento para que su pantalla parpadee hasta que el comando se cancele.

## Servidor de ping por ICMP

El aparato contiene un servidor ICMP que le permite responder a las solicitudes de ping a través de su nombre de host o dirección IP.

## Protocolo de descubrimiento VXI-11

El instrumento cuenta con una compatibilidad muy limitada con el estándar VXI-11, suficiente únicamente para aceptar el protocolo de descubrimiento.

La unidad incorpora un mapeador de puertos RPC de Sun en el puerto TCP 111 y en el puerto UDP 111 según se define en la recomendación RPC1183. Las llamadas permitidas son: NULL, GET PORT y DUMP.

El puerto TCP 1024 incorpora un sencillo protocolo VXI-11 suficiente únicamente para permitir el descubrimiento del aparato. Las llamadas que admite son: CREATE LINK, DEVICE\_WRITE, DEVICE\_READ y DESTROY\_LINK.

---

Una vez establecido un vínculo, el dispositivo ignora cualquier otra señal escrita, y toda lectura de este retorna la cadena de identificación esperada por un «\*IDN?», en el formato

«Fabricante,Modelo,Núm. de serie, X.xx – Y.yy»

Por ejemplo:

SORENSEN, XPF 60-20P, 279730, 1.00 – 1.00

siendo «X.xx» la revisión del firmware principal e «Y.yy» la revisión del firmware de la interfaz. El firmware de la interfaz es actualizable por el usuario a través del puerto USB.

## Nombre de recurso VISA

Debido a la limitada compatibilidad con el protocolo VXI-11 (solamente descubrimiento), al utilizar paquetes de aplicaciones que se comuniquen a través de un nombre de recurso VISA, el instrumento deberá ser referido por su información de socket puro. Por ejemplo, un instrumento ubicado en la dirección IP 192.168.1.100 normalmente tendría un nombre de recurso VISA del tipo «TCPIP0::192.168.1.100::inst0::INSTR» pero, para este instrumento, el nombre se deberá modificar para que sea «TCPIP0::192.168.1.100::9221::SOCKET», siendo 9221 el puerto TCP utilizado por el aparato para su monitorización y control; consulte más abajo.

## URL del documento XML de identificación

Tal y como requiere la norma LXI, el instrumento proporciona un documento XML de identificación que puede ser consultado mediante una petición GET a «http://<nombrehost>:80/lxi/identification» conforme al esquema XSD del LXI (disponible en <http://www.lxistandard.org/InstrumentIdentification/1.0>) y al estándar XML Schema del W3C (<http://www.w3.org/XML/Schema>). Dicho documento describe la unidad.

## Sockets de TCP

El instrumento utiliza dos sockets en el puerto TCP 9221 para su monitorización y control. Este puerto recibe comandos textuales tal y como se define en la sección «Comandos remotos». Cualquier respuesta es remitida por el mismo puerto. Cada cadena debe estar formada por uno o más comandos completos. Los comandos pueden estar separados por punto y coma «;» o salto de línea. No es necesario un indicador de finalización, ya que la trama de TCP contiene comandos completos. Si se desea se puede incluir, aunque será ignorado. Cada comando enviado sobre TCP se comporta como si estuviera seguido por un comando finalizador (carácter ASCII 0AH, salto de línea).

## Error de LAN

Si se efectúa una conexión de área local pero se detecta un error (p. ej., la dirección IP es la misma de otro dispositivo de la red), el piloto LAN de la unidad (sobre los dos medidores de la salida) se apagará hasta que se corrija el error. En caso de un error de LAN, revise y corrija la configuración del instrumento; un botón protegido situado en el panel trasero y rotulado LAN RESET proporciona un mecanismo de inicialización de la configuración de red LAN (LCI) que permite reiniciar la unidad a sus valores de fábrica. Por defecto, el instrumento intenta obtener la configuración mediante DHCP si este se encuentra disponible; si el protocolo DHCP no responde en 30 segundos, se recurrirá a la asignación automática de IP. En el muy poco probable caso de que no se pudiera encontrar una IP automática, se asignaría la IP estática 192.168.0.100.

Si no se encuentra en ningún momento una conexión de red local física, el piloto LAN permanecerá apagado.

## Interfaz GPIB

El conector de 24 patillas de la interfaz GPIB se encuentra ubicado en la parte trasera del instrumento. La conexión de cada patilla se corresponde con lo especificado en la norma IEEE 488.1-1987; el instrumento es compatible con la norma IEEE 488.1-1987 y la norma IEEE 488.2-1987.

---

## Subconjuntos de GPIB

Este instrumento contiene los siguientes subconjuntos de la norma IEEE 488.1:

Source Handshake	SH1
Acceptor Handshake	AH1
Talker	T6
Listener	L4
Service Request	SR1
Remote Local	RL2
Parallel Poll	PP1
Device Clear	DC1
Device Trigger	DT0
Controller	C0
Electrical Interface	E2

## Manejo de errores de la norma IEEE 488.2: registro de errores de consulta

El error UNTERMINATED de la norma IEEE 488.2 («autorizado para hablar pero nada que decir») se procesa de la siguiente manera: Si el instrumento ha recibido una señal de permiso para hablar pero el formateador de respuestas está inactivo y la cola de entrada se encuentra vacía, se generará el error UNTERMINATED. Ello hará que el bit de error de consulta (Query Error) se active en el registro de estado de eventos estándar (Standard Event Status Register), que se coloque un valor de 3 en el registro de errores de consulta (Query Error Register) y que el intérprete se reinicie. Para más detalles, vea la sección «Comunicación de estado».

El error INTERRUPTED de la norma IEEE 488.2 se procesa de la siguiente manera: Si el formateador de respuestas está esperando para enviar un mensaje de respuesta pero el intérprete ha leído un <PROGRAM MESSAGE TERMINATOR> o la cola de entrada contiene más de un mensaje END, el instrumento ha sido interrumpido (INTERRUPTED) y se generará un error. Ello hará que el bit de error de consulta (Query Error) se active en el registro de estado de eventos estándar (Standard Event Status Register), que se coloque un valor de 1 en el registro de errores de consulta (Query Error Register) y que el formateador de respuestas se reinicialice, vaciándose por tanto la cola de salida. El intérprete pasará entonces a analizar la siguiente unidad de mensajes de programa, <PROGRAM MESSAGE UNIT>, de la cola de entrada. Para más detalles, vea la sección «Comunicación de estado».

El error DEADLOCK de la norma IEEE 488.2 se procesa de la siguiente manera: Si el formateador de respuestas está esperando para enviar un mensaje de respuesta y la cola de entrada se llena, el instrumento entrará en un estado de bloqueo (DEADLOCK) y se generará un error. Ello hará que el bit de error de consulta (Query Error) se active en el registro de estado de eventos estándar (Standard Event Status Register), que se coloque un valor de 2 en el registro de errores de consulta (Query Error Register) y que el formateador de respuestas se reinicialice, vaciándose por tanto la cola de salida. El intérprete pasará entonces a analizar la siguiente unidad de mensajes de programa, <PROGRAM MESSAGE UNIT>, de la cola de entrada. Para más detalles, vea la sección «Comunicación de estado».

## Sondeo GPIB en paralelo

Este instrumento ofrece prestaciones completas de sondeo en paralelo. El registro de habilitación del sondeo en paralelo (Parallel Poll Enable Register) está configurado para especificar qué bits del registro de bytes de estado (Status Byte Register) van a ser utilizados para conformar el mensaje local ist. El registro de habilitación del sondeo en paralelo se configura con el comando \*PRE <nrf> y se lee con el comando \*PRE?. Al valor de dicho registro se le aplica el registro de



bytes de estado con un operador lógico AND; si el resultado es 0, el valor de *ist* será 0, de lo contrario el valor de *ist* será 1.

El instrumento también debe configurarse de manera que, durante una operación de sondeo, se pueda devolver al controlador el valor de *ist*. Para ello, el controlador envía un comando Parallel Poll Configure (PPC) seguido de un comando Parallel Poll Enable (PPE). A continuación se muestran los bits del comando PPE:

bit 7 =	X	da igual
bit 6 =	1	Sondeo en paralelo habilitado
bit 5 =	1	
bit 4 =	0	
bit 3 =	Sentido	sentido del bit de respuesta; 0 = bajo, 1 = alto
bit 2 =	?	posición de bits de la respuesta
bit 1 =	?	
bit 0 =	?	

*Ejemplo.* Para devolver el bit RQS (bit 6 del Status Byte Register), con valor 1 cuando sea verdadero y con valor 0 cuando sea falso, en la posición de bits 1, en respuesta a una operación de sondeo en paralelo, envíe los siguientes comandos:

\*PRE 64<pmt>, después PPC seguido de 69H (PPE)

La respuesta del aparato al sondeo será entonces 00H si RQS es 0 y 01H si RQS es 1.

Durante la respuesta a un sondeo de este tipo, las líneas de la interfaz DIO se encuentran terminadas resistivamente (terminación pasiva). Ello permite a múltiples dispositivos compartir la misma posición de bits para la respuesta, tanto en la configuración wired-AND como en la configuración wired-OR. Consulte la norma IEEE 488.1 para más información.

## Comunicación de estado

Cada instancia de interfaz, entendida como una conexión potencial, mantiene un modelo de estado y error independientes. Las interfaces USB, RS232 y GPIB son intrínsecamente conexiones únicas, cada una de ellas representando una instancia. La LAN, sin embargo, permite múltiples conexiones simultáneas, por lo que representa múltiples instancias de interfaz. Dos instancias de interfaz se asignan a las dos interfaces de sockets TCP, y una más se asigna a la interfaz de la web. El disponer de un modelo separado para cada instancia de interfaz asegura que los datos no se pierdan, ya que existen muchos comandos, como por ejemplo «\*ESR?», que limpian el contenido al ser leídos.

El estado de errores se mantiene utilizando un conjunto de registros; estos se describen en los siguientes párrafos y se muestran en el modelo de estado (Status Model) al final de esta sección.

### Registro de estado de eventos estándar y registro de activación de estado de eventos estándar

Ambos registros se implementan conforme a lo especificado por la norma IEEE 488.2.

Todo bit activado en el Standard Event Status Register que se corresponda con un bit activado en el Standard Event Status Enable Register provocará la activación del bit ESB en el Status Byte Register.

El Standard Event Status Register se lee y borra con el comando \*ESR?. El Standard Event Status Enable Register se configura con el comando \*ESE <nrf> y se lee con el comando \*ESE?.

Se trata de un campo de bits en donde cada bit indica lo siguiente:

Bit 7: Power On (encendido). Se configura cuando se enciende por primera vez el instrumento.

- 
- Bit 6: User Request (no se usa).
  - Bit 5: Command Error (error de comando). Se configura cuando se detecta un error de tipo sintáctico en un comando proveniente del bus. El analizador sintáctico se reinicia y sigue analizando el byte siguiente de la cadena de entrada.
  - Bit 4: Execution Error (error de ejecución). Se configura cuando se descubre un error mientras se intenta ejecutar un comando ya completamente analizado sintácticamente. En el Execution Error Register aparecerá el número de error correspondiente. Véase la sección «Mensajes de error».
  - Bit 3: Verify Timeout Error (error de verificar tiempo de espera). Se habilita cuando un parámetro se configura especificando «verificar» y no se alcanza el valor en 5 segundos. P. ej., cuando la tensión de salida es ralentizada por un condensador grande en la salida.
  - Bit 2: Query Error (error de consulta). Se habilita cuando se produce una consulta. En el Query Error Register aparecerá el número de error correspondiente. Consulte la sección «Registro de errores de consulta».
  - Bit 1: No se usa.
  - Bit 0: Operation Complete (operación completada): Se habilita como respuesta al comando '\*OPC'

### Registro de errores de ejecución

Este registro contiene un número que representa el último error encontrado en la interfaz actual. El Execution Error Register se lee y borra mediante el comando 'EER?'. Tras el encendido, este registro se encuentra configurado a 0 en todas las instancias de interfaz.

Los mensajes de error tienen los significados siguientes:

- 0: Ningún error detectado.
- 1-9: Detectado error interno de hardware.
- 100: Error de rango. El valor numérico enviado no está permitido. Puede deberse a que el número sea demasiado grande o demasiado pequeño para el parámetro que se esté configurando, o porque se envíen números no enteros donde solo se permitan enteros.
- 101: Se ha solicitado una recuperación de datos de configuración, pero la memoria especificada contiene datos corruptos. Ello indica un fallo de hardware o una corrupción de datos temporal que puede ser corregida volviendo a almacenar los datos en la memoria.
- 102: Se ha solicitado una recuperación de datos de configuración, pero la memoria especificada no contiene ningún dato.
- 103: Intento de leer o escribir un comando en una segunda salida cuando no se encuentra disponible. Habitualmente esto sucederá si se intenta programar la segunda salida en instrumentos de un solo canal, o en un instrumento de dos canales funcionando en paralelo.
- 104: El comando no es válido con la salida activada.
- 200: Solo lectura: Se ha intentado modificar la configuración del instrumento desde una interfaz que no goza de privilegios de escritura. Consulte la sección «Bloqueo de la interfaz».

### Registro de estado de eventos de límite y registro de activación de estado de eventos de límite

Las fuentes de alimentación de una sola salida disponen de un Limit Event Status Register; las fuentes duales (salvo cuando operan en paralelo) disponen de dos. Estos registros se leen y borran usando «LSR1?» y «LSR2?» respectivamente. Al encender el aparato, estos registros están fijados a 0, pasando inmediatamente a mostrar los nuevos estados de los límites.

Todo bit activado en un Limit Event Status Register que se corresponda con un bit activado en el Limit Event Status Enable Register provocará la activación del bit LIM1 o LIM2 en el Status Byte Register.

- 
- Bit 7: Reservado para uso futuro
  - Bit 6: Habilitado cuando ha saltado una protección que solo puede reiniciarse desde el panel frontal o desconectando la corriente alterna y volviéndola a conectar.
  - Bit 5: Reservado para uso futuro
  - Bit 4: Se habilita cuando la salida entra en el límite de potencia (modo no regulado)
  - Bit 3: Se habilita cuando existe una desconexión por sobrecorriente en la salida
  - Bit 2: Se habilita cuando existe una desconexión por sobretensión en la salida
  - Bit 1: Se habilita cuando la salida entra en el límite de corriente (modo CC)
  - Bit 0: Se habilita cuando la salida entra en el límite de tensión (modo CV)

### **Registro de bytes de estado y registro de activación de peticiones de servicio**

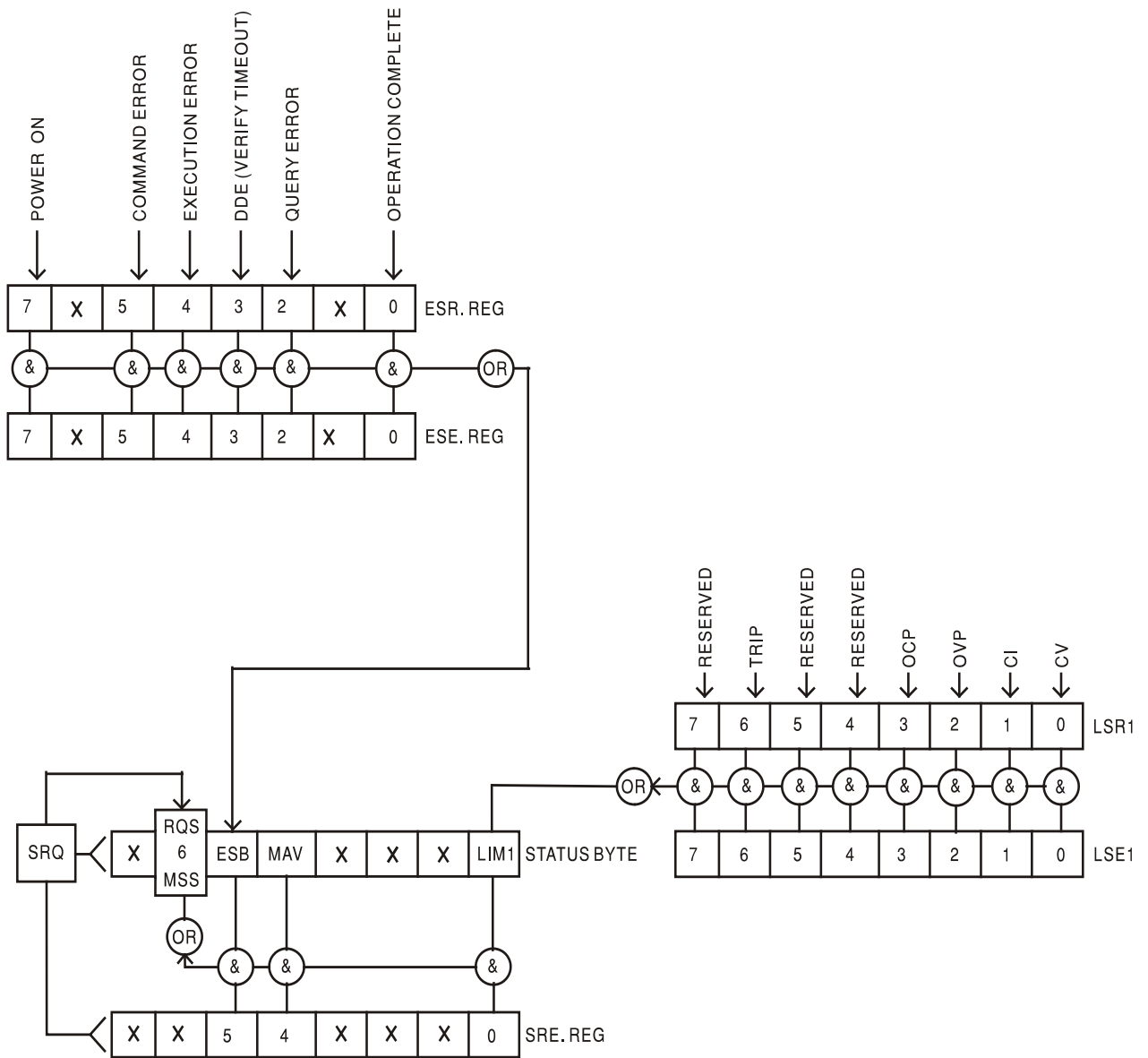
Ambos registros se implementan conforme a lo especificado por la norma IEEE 488.2.

Todo bit activado en el Status Byte Register que se corresponda con un bit activado en el Service Request Enable Register provocará la activación del bit RQS/MSS en el Status Byte Register, generando así un Service Request (petición de servicio) en el bus.

El Status Byte Register se lee bien mediante el comando \*STB?, que retorna MSS en el bit 6, bien mediante un sondeo en serie que retorna RQS en el bit 6. El Service Request Enable Register se configura con el comando \*SRE <nrf> y se lee con el comando \*SRE?.

- Bit 7 - No se usa.
- Bit 6 - RQS/MSS. Este bit, tal y como lo define la norma IEEE 488.2, contiene tanto el mensaje Requesting Service (solicitando servicio) como el mensaje Master Status Summary (resumen de estado maestro). La señal RQS se retorna en respuesta a un sondeo en serie, y la señal MSS se retorna en respuesta al comando \*STB?
- Bit 5 - ESB. Event Status Bit (bit de estado del evento). Este bit se activa si algún bit activado en el Standard Event Status Register se corresponde con un bit activado en el Standard Event Status Enable Register.
- Bit 4 - MAV. Bit de Message Available (mensaje disponible). Se activará cuando el instrumento cuente con un mensaje de respuesta formateado y listo para enviar al controlador. El bit se desactivará una vez que se haya enviado el Response Message Terminator (finalizador del mensaje de respuesta).
- Bit 3 - No se usa.
- Bit 2 - No se usa.
- Bit 1 - LIM2. Se habilitará si se habilita cualquier bit del Limit Event Status Register 2 y se habilitan sus bits correspondientes en el Limit Event Status Enable Register 2.
- Bit 0 - LIM1. Se habilitará si se habilita cualquier bit del Limit Event Status Register 1 y se habilitan sus bits correspondientes en el Limit Event Status Enable Register 1.

## Modelo de estado



---

## Configuración por defecto para encendido y funcionamiento remoto

Los siguientes valores de estado del instrumento se configuran en el encendido:

Status Byte Register	= 0
Service Request Enable Register †	= 0
Standard Event Status Register	= 128 (bit de encendido activado)
Standard Event Status Enable Register †	= 0
Execution Error Register	= 0
Query Error Register	= 0
Parallel Poll Enable Register †	= 0

† Los registros marcados con este símbolo son específicos de la sección GPIB del instrumento y su uso es limitado desde otras interfaces.

El instrumento estará en modo local con los controles del panel frontal activos.

Los parámetros del instrumento al encenderlo serán los mismos que antes de apagarlo por última vez a excepción del estado de la salida. Por defecto se encuentra siempre desactivada al encender, pero el usuario puede modificar esto desde el panel frontal para que su valor al encender sea el mismo que antes del último apagado. Consulte el párrafo «Estado al encender» en la sección «Funcionamiento manual».

El comando de interfaz \*RST (reset) reinicia el instrumento a su configuración de manejo remoto por defecto.

La configuración por defecto del modo de funcionamiento remoto es:

$V_{out} = 1 \text{ V}$ ,  $I_{out} = 1 \text{ A}$ ,  $\Delta V = 10 \text{ mV}$ ,  $\Delta I = 10 \text{ mA}$ , Lock cancelado, OVP = 66 V y OCP = 22 A.

La configuración de la interfaz remota y el estado de la salida al encender permanecen sin cambios tras un \*RST.

La configuración de detección permanecerá conforme determinen los interruptores Sense del panel frontal.

---

# Comandos remotos (solo XPF 60-20P)

## Formato de comandos remotos RS232 / USB

La entrada por RS232 dispone de una cola de 256 bytes que se llena, por interrupciones, de manera transparente para todas las demás operaciones del instrumento. El instrumento enviará la señal XOFF cuando en la cola haya aproximadamente 200 caracteres. Tras enviar el XOFF, cuando haya unos 100 espacios libres en la cola, se enviará un XON. Esta cola contiene datos brutos (sin analizar) que el analizador sintáctico va tomando. Los comandos y consultas se ejecutan por orden, y el analizador no empieza con un nuevo comando mientras no se haya completado cualquier comando o consulta anterior. Las respuestas RS232 a los comandos y consultas se envían inmediatamente; no hay cola de salida.

La entrada USB es compatible con la especificación USB 2.0 Full Speed.

Los comandos se deben enviar tal como se indica en la lista de comandos, y deben terminar con el código de fin de comando 0AH (salto de línea, LF). Es posible enviar grupos de comandos; en tal caso se separan entre sí mediante el código 3BH (;). El grupo debe terminar con el código de fin de comando 0AH (salto de línea, LF).

Las respuestas de la unidad al controlador se envían tal como se indica en la lista de comandos. Cada respuesta termina con un <RESPONSE MESSAGE TERMINATOR>, que es 0DH (retorno de carro, CR) seguido de 0AH (salto de línea, LF).

El espacio en blanco, <WHITE SPACE>, se define con los códigos de caracteres del 00H al 20H, ambos incluidos.

El carácter <WHITE SPACE> se ignora siempre salvo en los identificadores de comando; por ejemplo, «\*C LS» no es equivalente a «\*CLS».

El bit superior de todos los caracteres es ignorado.

Los comandos no distinguen entre mayúsculas y minúsculas.

## Formato de los comandos remotos de GPIB

La entrada por GPIB dispone de una cola de 256 bytes que se llena, por interrupciones, de manera transparente para todas las demás operaciones del instrumento. Esta cola contiene datos puros (sin interpretar) que el intérprete va tomando. Los comandos y consultas se ejecutan por orden, y el analizador no empieza con un nuevo comando mientras no se haya completado cualquier comando o consulta anterior. Al no existir cola de salida, el formateador de respuestas esperará, indefinidamente si es necesario, hasta que el instrumento reciba una señal de permiso para hablar y el mensaje de respuesta completo haya sido enviado, antes de que el analizador pase al siguiente comando de la cola de entrada.

Los comandos son enviados por el controlador como <PROGRAM MESSAGES> (mensajes de programa), consistiendo cada uno de ellos en cero o más elementos <PROGRAM MESSAGE UNIT> (unidad de mensajes de programa) separados por elementos <PROGRAM MESSAGE UNIT SEPARATOR> (separador de unidades de mensajes de programa).

Se entiende como <PROGRAM MESSAGE UNIT> un comando cualquiera de la lista de comandos remotos.

El <PROGRAM MESSAGE UNIT SEPARATOR> es el carácter de punto y coma ';' (3BH).

Los <PROGRAM MESSAGES> se separan mediante elementos <PROGRAM MESSAGE TERMINATOR>, que pueden ser cualquiera de los siguientes:

NL	El carácter de nueva línea (0AH)
NL^END	El carácter de nueva línea con el mensaje END
^END	El mensaje END con el último carácter del mensaje

Las respuestas del instrumento al controlador se envían como <RESPONSE MESSAGES>. Un <RESPONSE MESSAGE> se compone de un <RESPONSE MESSAGE UNIT> seguido de un <RESPONSE MESSAGE TERMINATOR>.

Un <RESPONSE MESSAGE TERMINATOR> es el carácter de nueva línea con el mensaje END, NL^END.

---

Cada consulta produce un <RESPONSE MESSAGE> específico, que se muestra junto al comando correspondiente en la lista de comandos remotos.

El carácter <WHITE SPACE> se ignora siempre salvo en los identificadores de comando; por ejemplo, «\*C LS» no es equivalente a «\*CLS». <WHITE SPACE> se define con los códigos de carácter 00H a 20H inclusive, a excepción del carácter NL (0AH).

El bit superior de todos los caracteres es ignorado. Los comandos no distinguen entre mayúsculas y minúsculas.

## Lista de comandos

En esta sección se facilitan todos los comandos y consultas con que cuenta este aparato.

Tenga en cuenta que no hay parámetros dependientes o emparejados, comandos superpuestos, elementos de datos de programa de expresión ni encabezados compuestos de programa de comando; cada comando se ejecuta por completo antes de que comience el siguiente. Todos los comandos son consecutivos, y el mensaje de operación completa se genera inmediatamente después de la ejecución en todos los casos.

Se utiliza la siguiente nomenclatura:

- <rmt>        <RESPONSE MESSAGE TERMINATOR>
- <nrf>        Un número en cualquier formato. Por ejemplo, los valores 12; 12,00; 1,2 e1 y 120 e-1, se aceptan todos como el número 12. Cualquier número, al recibirse, se convierte a la precisión requerida de acuerdo con su uso y después se redondea para obtener el valor del comando.
- <nr1>        Un número sin decimales, esto es, un entero.
- <nr2>        Un número en formato de coma fija, por ejemplo: 11,52; 0,78; etc.
- <n>         El número de la salida (1, 2, etc.) o del registro de estado asociado al que se refiere el comando. Para este instrumento de una sola salida, <n> valdrá siempre '1', por lo que los comandos serán, por ejemplo, V1 <nrf>, I10?, etc. De esta manera, el formato de los comandos se mantiene totalmente compatible con las fuentes de alimentación programables de varias salidas de TTI; una fuente de salida dual, por ejemplo, dispondrá de un juego de comandos duplicado, V2 <nrf>, I20?, etc.

Los comandos que empiezan con \* son comandos comunes conforme a la especificación de la norma IEEE 488.2. Todos ellos funcionarán con las demás interfaces, aunque algunos no sean de mucha utilidad.

## Comandos específicos del instrumento

En los comandos especificados como «WITH VERIFY» (con verificación), la operación se finaliza cuando el parámetro que se ajusta alcanza el valor solicitado dentro de un margen de +/-5% o de +/-10 recuentos, lo que sea mayor. Si el valor no se consigue fijar dentro de esos límites en 5 segundos, el bit Verify Timeout (excedido límite de tiempo para verificación) se habilitará en el Standard Event Status Register y la operación se completará al final de dicho tiempo.

El bit de Operation Complete (bit 0) del Standard Event Status Register solamente puede ser activado mediante el comando \*OPC. El comando \*OPC (u \*OPC?) puede usarse para sincronizar el dispositivo debido a la naturaleza secuencial de las operaciones remotas.

- V<n> <nrf>        Ajusta la salida <n> a <nrf> voltios
- V<n>V <nrf>        Ajusta la salida <n> a <nrf> voltios con verificación
- OVP<n> <nrf>        Ajusta el punto de desconexión de la protección contra sobretensión a <nrf> voltios en la salida <n>
- I<n> <nrf>        Ajusta el límite de corriente de la salida <n> a <nrf> amperios

---

OCP<n> <nrf>	Ajusta el punto de desconexión de la protección contra sobrecorriente a <nrf> amperios en la salida <n>
I<n>?	Retorna el límite de corriente fijado para la salida <n>. La respuesta es I <n> <nr2><rmt>, siendo <nr2> los amperios.
OVP<n>?	Retorna el punto de desconexión de la protección contra sobretensión fijado para la salida <n>. La respuesta es VP<n> <nr2><rmt>, siendo <nr2> los voltios.
OCP<n>?	Retorna el punto de desconexión de la protección contra sobrecorriente fijado para la salida <n>. La respuesta es CP<n> <nr2><rmt>, siendo <nr2> los amperios.
V<n>O?	Retorna la tensión leída en la salida <n>. La respuesta es <nr2>V<rmt>, siendo <nr2> los voltios.
I<n>O?	Retorna la corriente leída en la salida <n>. La respuesta es <nr2>A<rmt>, siendo <nr2> los amperios.
DELTA V<n> <nrf>	Ajusta el tamaño del intervalo de la tensión de la salida <n> a <nrf> voltios
DELTA I<n> <nrf>	Ajusta el tamaño del intervalo de la corriente de la salida <n> a <nrf> amperios
DELTA V<n>?	Retorna el tamaño del intervalo de la tensión de la salida <n>. La respuesta es DELTA V<n> <nr2><rmt>, siendo <nr2> los voltios.
DELTA I<n>?	Retorna el tamaño del intervalo de la corriente de la salida <n>. La respuesta es DELTA I<n> <nr2><rmt>, siendo <nr2> los amperios.
INCV<n>	Aumenta la tensión de la salida <n> en el intervalo fijado para dicha salida <n>.
INCV<n>V	Aumenta la tensión de la salida <n> en el intervalo fijado para dicha salida <n> con verificación.
DECV<n>	Disminuye la tensión de la salida <n> en el intervalo fijado para dicha salida <n>.
DECV<n>V	Disminuye la tensión de la salida <n> en el intervalo fijado para dicha salida <n> con verificación.
INCI<n>	Aumenta el límite de corriente de la salida <n> en el intervalo fijado para dicha salida <n>.
DECI<n>	Disminuye el límite de corriente de la salida <n> en el intervalo fijado para dicha salida <n>.
OP<n> <nrf>	Conecta o desconecta la salida <n>, siendo <nrf> uno de los siguientes valores: 0=DESCONECTADA, 1=CONECTADA
OP<n>?	Retorna el estado de conexión o desconexión de la salida <n>. La respuesta es <nr1><rmt>, siendo 1 = CONECTADA y 0 = DESCONECTADA.
TRIPRST	Intenta borrar todas las condiciones de desconexión por protección.
LOCAL	Pasa al modo local. No se libera ningún bloqueo activo sobre la interfaz, por lo que dicho bloqueo permanecerá cuando se reciba el siguiente comando remoto.
IFLOCK	Solicita el bloqueo de la interfaz. Este comando pide el control de acceso exclusivo al instrumento. La respuesta es 1 en caso de concederse, o -1 si el bloqueo no se encuentra disponible, bien porque ya esté siendo utilizado o bien porque el usuario haya deshabilitado el acceso a través esta interfaz por medio la web.

---



---

IFLOCK?	Consulta el estado de bloqueo de la interfaz. El valor retornado es 1 en caso de que el bloqueo pertenezca a la instancia de interfaz solicitante; 0 si no hay un bloqueo activo; o -1 si el bloqueo no se encuentra disponible, bien porque ya esté siendo utilizado o bien porque el usuario haya deshabilitado el acceso a través de esta interfaz por medio de la web.
IFUNLOCK	Liberar el bloqueo, si es posible. Este comando retorna el valor 0 en caso de resultar exitoso.  De lo contrario se retorna -1, se coloca el valor 200 en el Execution Register y el bit 4 del Event Status Register se activa para indicar que no se dispone de autoridad para liberar el bloqueo.
LSR<n>?	Consulta y borra el Limit Event Status Register <n>.  El formato de respuesta es <nr1><rmt>. Consulte la sección «Comunicación de estado» para más detalles.
LSE<n> <nrf>	Fija el valor de LSE<n>, el Limit Event Status Enable Register <n> a <nrf>.
LSE<n>?	Retorna el valor de LSE<n>, el Limit Event Status Enable Register <n>. La respuesta es <nr1><rmt>.

### Comandos de sistema y estado

*CLS	Clear Status. Limpia la estructura del estado. De manera indirecta, limpia el Status Byte Register.
EER?	Consulta y borra el Execution Error Register. El formato de la respuesta es <nr1><rmt>.
*ESE <nrf>	Establece el Standard Event Status Enable Register al valor de <nrf>
*ESE?	Retorna el valor del Standard Event Status Enable Register en el formato numérico <nr1>. La sintaxis de la respuesta es <nr1><rmt>.
*ESR?	Retorna el valor del Standard Event Status Register en el formato numérico <nr1>. Tras ello se limpia el registro. El formato de respuesta es <nr1><rmt>. Consulte la sección «Comunicación de estado» para más detalles.
*IST?	Retorna el mensaje local <b>ist</b> tal y como lo define la norma IEEE 488.2. La sintaxis de la respuesta es 0<rmt> si el mensaje local es falso, o bien 1<rmt> si el mensaje local es verdadero.
*OPC	Activa el bit de Operation Complete (bit 0) del Standard Event Status Register. Esto sucede tan pronto se ejecuta el comando, debido a la naturaleza secuencial de todas las operaciones.
*OPC	Consulta el estado del bit de Operation Complete. La respuesta es siempre 1<rmt> y estará disponible tan pronto se ejecute el comando, debido a la naturaleza secuencial de todos los comandos.
*PRE <nrf>	Establece el Parallel Poll Enable Register al valor <nrf>.
*PRE?	Retorna el valor del Parallel Poll Enable Register en el formato numérico <nr1>. La sintaxis de la respuesta es <nr1><rmt>.
QER?	Consulta y borra el Query Error Register. El formato de la respuesta es <nr1><rmt>.

---

*RST	Reinicia el instrumento a los valores por defecto para control remoto, a excepción de todos los valores de la interfaz remota y del estado de la salida al encender. Consulte el párrafo «Configuración por defecto para encendido y funcionamiento remoto» en la sección «Funcionamiento de la interfaz remota».
*SRE <nrf>	Fija el Service Request Enable Register a <nrf>.
*SRE?	Retorna el valor del Service Request Enable Register en el formato numérico <nr1>. La sintaxis de la respuesta es <nr1><rmt>
*STB?	Retorna el valor del Status Byte Register en el formato numérico <nr1>. La sintaxis de la respuesta es <nr1><rmt>
*WAI	Espera a que Operation Complete sea verdadero. Puesto que todos los comandos se ejecutan completamente antes que el siguiente se inicie, este comando no realiza acciones adicionales.

## Comandos diversos

*IDN?	Devuelve la identificación del instrumento. La respuesta exacta viene determinada por la configuración del instrumento y tiene la forma <NOMBRE>,<modelo>,<núm. serie>,<versión><rmt>, en donde <NOMBRE> es el nombre del fabricante, <modelo> define el tipo de instrumento, <núm. serie> es el número de serie único y <version> es el nivel de revisión del software instalado. El formato de <version> es X.xx – Y.yy, siendo X.xx la revisión del firmware principal del instrumento e Y.yy la revisión del firmware de la placa de la interfaz. El firmware de la interfaz es actualizable por el usuario a través del puerto USB.
ADDRESS?	Retorna la dirección de bus del instrumento; es la dirección utilizada por la interfaz GPIB, si la hay. También puede ser empleada como identificador general en las demás interfaces.
*TST?	La fuente de alimentación no tiene capacidad de autocomprobación, y la respuesta es siempre 0 <rmt>
*TRG	La fuente de alimentación no tiene capacidad de activación. El comando se acepta pero no realiza acción alguna.

## Mensajes de error

Cada mensaje de error tiene un número; a través de las interfaces de control remoto solamente se comunica este número. Los números de los mensajes de error no se muestran, sino que se ubican en el Execution Error Register, donde se pueden leer a través de las interfaces remotas. Consulte la sección «Comunicación de estado».

---

## Mantenimiento

La empresa fabricante o sus representantes en el extranjero ofrecen un servicio de reparación para cualquier unidad en la que surja un fallo. En caso de que el propietario desee llevar a cabo el trabajo de mantenimiento, este sólo podrá ser realizado por personal cualificado, acompañado del manual de servicio, que se puede adquirir directamente a la empresa fabricante o a sus representantes en el extranjero.

### Fusible

El tipo de fusible correcto es:

10 amperios, 250 V, HBC con retardo, 5 x 20 mm

Asegúrese de que, cuando sea necesaria una sustitución, se utilicen únicamente fusibles de la corriente nominal y el tipo especificados. Está prohibido utilizar fusibles artesanales o cortocircuitar los portafusibles.

**Nota importante:** La principal función del fusible es proporcionar seguridad al instrumento y limitar los daños en caso de fallo de uno de los dispositivos interruptores. Si el fusible fallara es, por tanto, muy probable que su recambio también se funda como resultado de una avería en la unidad; en tal caso deberá retornar el instrumento al fabricante para que realice la reparación correspondiente.

Si considera adecuado sustituir el fusible, proceda de la siguiente manera:

1. Asegure que el instrumento esté desconectado de la fuente de alimentación de CA.
2. Retire los dos remaches de plástico de cada borde lateral de la cubierta superior. Suelte los remaches haciendo palanca con la punta de un destornillador pequeño y, a continuación, retírelos por completo. Retire los tres tornillos del panel trasero que sujetan la cubierta superior; deslice hacia atrás la cubierta para levantarla y sacarla.
3. Retire los remaches de plástico de cada lado del soporte de sujeción del ventilador. Gire el instrumento y extraiga los dos tornillos situados en la base (justo junto a los orificios de ventilación) que sujetan el soporte del ventilador al bastidor del aparato. Desenchufe de la placa principal la pieza del cable del ventilador. Extraiga con cuidado el ventilador y su soporte. Puede que necesite extraer también la pieza de conexión entre la placa de la interfaz y la placa de control (solo XPF 60-20P).
4. Desenrosque las dos tuercas que sujetan los cables naranja y negro (de la placa de alimentación) a la placa principal y desconéctelos. Desenchufe de la placa de control el conector de 9 vías que va hasta la placa de alimentación. Desenrosque las dos tuercas y los dos tornillos M4 que sujetan la parte superior de la placa de alimentación al lateral del bastidor, con cuidado de no perder las piezas de separación. A continuación extraiga los dos tornillos M3 hacia el centro de la placa. Levante con cuidado el conjunto de la placa manteniendo el nivel de esta para evitar que las patillas conectoras se doblen.
5. El fusible se encuentra en la parte posterior del instrumento, en el conjunto de la placa principal. Sustitúyalo por otro del tipo correcto.
6. Para volver a montar la unidad, repita el proceso anterior en orden inverso. Ponga sumo cuidado al volver a insertar el conjunto de la placa de alimentación en el instrumento. Existen dos cabezales de ocho vías en el conjunto de la placa principal, junto al fusible, que encajan en sus tomas complementarias en el conjunto de la placa de alimentación. Para asegurarse de que se alinean correctamente, vea la conexión a través de la apertura ubicada en el lateral del bastidor.

### Limpieza

Si es necesario limpiar el instrumento, utilice un paño ligeramente humedecido con agua o un detergente suave.

**¡ADVERTENCIA! PARA EVITAR DESCARGAS ELÉCTRICAS Y DAÑOS EN EL INSTRUMENTO, NO PERMITA NUNCA QUE ENTRE AGUA EN LA CARCASA. PARA EVITAR DAÑOS EN LA CARCASA, NO LA LIMPIE NUNCA CON DISOLVENTES.**

---

# Warranty Information

Product Family: XPF Series Single Output 60V 20A  
Warranty Period: Three Years

## WARRANTY TERMS

AMETEK Programmable Power, Inc. (“AMETEK”), provides this written warranty covering the Product stated above, and if the Buyer discovers and notifies AMETEK in writing of any defect in material or workmanship within the applicable warranty period stated above, then AMETEK may, at its option: repair or replace the Product; or issue a credit note for the defective Product; or provide the Buyer with replacement parts for the Product.

The Buyer will, at its expense, return the defective Product or parts thereof to AMETEK in accordance with the return procedure specified below. AMETEK will, at its expense, deliver the repaired or replaced Product or parts to the Buyer. Any warranty of AMETEK will not apply if the Buyer is in default under the Purchase Order Agreement or where the Product or any part thereof:

- is damaged by misuse, accident, negligence or failure to maintain the same as specified or required by AMETEK;
- is damaged by modifications, alterations or attachments thereto which are not authorized by AMETEK;
- is installed or operated contrary to the instructions of AMETEK;
- is opened, modified or disassembled in any way without AMETEK’s consent; or
- is used in combination with items, articles or materials not authorized by AMETEK.

The Buyer may not assert any claim that the Products are not in conformity with any warranty until the Buyer has made all payments to AMETEK provided for in the Purchase Order Agreement.

## PRODUCT RETURN PROCEDURE

Request a Return Material Authorization (RMA) number from the repair facility (**must be done in the country in which it was purchased**):

- **In the USA**, contact the AMETEK Repair Department prior to the return of the product to AMETEK for repair:  
Telephone: 800-733-5427, ext. 2295 or ext. 2463 (toll free North America)  
858-450-0085, ext. 2295 or ext. 2463 (direct)
- **Outside the United States**, contact the nearest Authorized Service Center (ASC). A full listing can be found either through your local distributor or our website, [www.programmablepower.com](http://www.programmablepower.com), by clicking Support and going to the Service Centers tab.

When requesting an RMA, have the following information ready:

- Model number
- Serial number
- Description of the problem

**NOTE:** Unauthorized returns will not be accepted and will be returned at the shipper’s expense.

**NOTE:** A returned product found upon inspection by AMETEK, to be in specification is subject to an evaluation fee and applicable freight charges.

**AMETEK Programmable Power, Inc.**

**9250 Brown Deer Road  
San Diego, CA, 92121  
USA**

**Phone:**

**858 450 0085 (local/direct)**

**800 733-5427 (toll free North America)**

**Fax: 858 458 0267**

[sales@programmablepower.com](mailto:sales@programmablepower.com)

[service@programmablepower.com](mailto:service@programmablepower.com)

[www.programmablepower.com](http://www.programmablepower.com)