

Sorensen

XEL Series

**High Voltage Linear DC Power Supplies
Operation Manual**

Models:

XEL 120

XEL 250

About AMETEK

AMETEK Programmable Power, Inc., a Division of AMETEK, Inc., is a global leader in the design and manufacture of precision, programmable power supplies for R&D, test and measurement, process control, power bus simulation and power conditioning applications across diverse industrial segments. From bench top supplies to rack-mounted industrial power subsystems, AMETEK Programmable Power is the proud manufacturer of Elgar, Sorensen, California Instruments and Power Ten brand power supplies.

AMETEK, Inc. is a leading global manufacturer of electronic instruments and electromechanical devices with annualized sales of \$2.5 billion. The Company has over 11,000 colleagues working at more than 80 manufacturing facilities and more than 80 sales and service centers in the United States and around the world.

Trademarks

AMETEK is a registered trademark of AMETEK, Inc.

Other trademarks, registered trademarks, and product names are the property of their respective owners and are used herein for identification purposes only.

Notice of Copyright

XEL & XEL-P Series Higher Voltage Linear DC Power Supplies Operation Manual © 2007-2009
AMETEK Programmable Power, Inc. All rights reserved.

Exclusion for Documentation

UNLESS SPECIFICALLY AGREED TO IN WRITING, AMETEK PROGRAMMABLE POWER, INC. ("AMETEK"):

- (a) MAKES NO WARRANTY AS TO THE ACCURACY, SUFFICIENCY OR SUITABILITY OF ANY TECHNICAL OR OTHER INFORMATION PROVIDED IN ITS MANUALS OR OTHER DOCUMENTATION.
- (b) ASSUMES NO RESPONSIBILITY OR LIABILITY FOR LOSSES, DAMAGES, COSTS OR EXPENSES, WHETHER SPECIAL, DIRECT, INDIRECT, CONSEQUENTIAL OR INCIDENTAL, WHICH MIGHT ARISE OUT OF THE USE OF SUCH INFORMATION. THE USE OF ANY SUCH INFORMATION WILL BE ENTIRELY AT THE USER'S RISK, AND
- (c) REMINDS YOU THAT IF THIS MANUAL IS IN ANY LANGUAGE OTHER THAN ENGLISH, ALTHOUGH STEPS HAVE BEEN TAKEN TO MAINTAIN THE ACCURACY OF THE TRANSLATION, THE ACCURACY CANNOT BE GUARANTEED. APPROVED AMETEK CONTENT IS CONTAINED WITH THE ENGLISH LANGUAGE VERSION, WHICH IS POSTED AT: WWW.PROGRAMMABLEPOWER.COM

Date and Revision

May 2010 Revision B

Part Number

M370397-01

Contact Information

Telephone: 800 733 5427 (toll free in North America)
858 450 0085 (direct)
Fax: 858 458 0267
Email: sales@programmablepower.com
service@programmablepower.com
Web: www.programmablepower.com

Table of Contents

Introduction	4
Specification	5
Safety	8
Installation	9
Connections	10
Manual Operation	13
Remote Analog Control (programmable models only)	18
Remote Interface Operation	22
Remote Commands	32
Maintenance	36
Instructions en Francais	
Sécurité	37
Installation	38
Connexions	39
Fonctionnement manuel	42
Commande analogique distante (Modèles programmables simples uniquement)	48
Fonctionnement de l'Interface Distante	53
Commandes à distance	64
Entretien	70
Bedienungsanleitung auf Deutsch	
Sicherheit	71
Installation	72
Anschlüsse	73
Manueller Betrieb	76
Analogfernsteuerung (nur programmierbare Einzelgeräte)	82
Bedienung der Fernschnittstelle	87
Fernbedienungsbefehle	98
Wartung	104

Istruzioni in Italiano

Sicurezza	105
Installazione	106
Connessioni	108
Operatività manuale	112
Controllo analogico remoto (Solo modelli programmabili singoli)	117
Operatività con l'interfaccia remota	122
Comandi remoti	134
Manutenzione	140

Instrucciones en Español

Seguridad	141
Instalación	142
Conexiones	144
Funcionamiento manual	147
Control analógico remoto (modelos programables únicos solamente)	153
Funcionamiento remoto vía interfaz	158
Comandos Remotos	169
Mantenimiento	174

Warranty Information	175
----------------------	-----

Introduction

The XEL Series has the following key features:

- Linear regulation for ultra-low output noise and fast transient recovery
- High accuracy four digit fixed-resolution meters
- True analog controls for quick and intuitive adjustment of voltage and current
- DC output switch to check settings before applying them
- Remote voltage sensing for exceptional load regulation
- Current meter averaging to reduce jitter with rapidly varying load currents
- High power density - up to 94 watts from an ultra-compact 3U ¼-rack case size
- Significantly higher energy efficiency than conventional linear regulated designs by using an advanced phase-controlled pre-regulator
- Low current range giving ten times greater meter resolution and finer low current setting
- **V-Span** allows the user to redefine the end-stop values of the voltage control, giving high-resolution analog control over the exact voltage range needed
- **S-Lock** digitally locks voltage and current settings at the touch of a button
- Setting limits can be viewed at any time
- Safety binding post terminals are touch-proof and uniquely accept fixed shroud 4mm plugs as well as standard plugs, bare wires and fork connectors

The XEL-P Series is the programmable (remote control) version of the XEL Series and duplicates all of its manual control features. RS-232, USB and LXI compliant LAN interfaces are fitted as standard; GPIB is a factory option.

- Full bus interfacing permitting remote control and readback via either RS232, USB, LAN (LXI) or GPIB (IEEE-488). GPIB is a factory fitted option.
- Simple command structures which make programming particularly easy regardless of which interface is used. The commands are consistent with other power supply families such as the XDL-P making inter-changeability straightforward.
- All power supply settings can be controlled via the bus. Voltage and current can be set to a resolution of 1mV and 0.01mA (10mV on 120V and 250V models). Actual voltage and current can be read back together with the power supply status.
- An IVI driver is supplied which provides support for common applications such as LabView*, LabWindows*, and Agilent VEE**.
- Single XEL-P models additionally offer remote analog control of output voltage and current which can be used independently or in parallel master-slave configurations. On 120V and 250V models the remote control inputs are galvanically isolated from the output.

* trademarks of National Instruments Corp. ** trademark of Agilent Technologies, inc.

Specification

General specifications apply for the temperature range 5°C to 40°C. Accuracy specifications apply for the temperature range 18°C to 28°C after 1 hour warm-up with no load and calibration at 23°C. Typical specifications are determined by design and are not guaranteed.

OUTPUTS

Voltage/Current Ranges:

XEL120	0V to 120V/0.1mA to 750mA; 0V to 120V/0.01mA to 75mA
XEL250	0V to 250V/0.1mA to 375mA; 0V to 250V/0.01mA to 75mA

Note: In manual operation, actual maxima for voltage and current are typically 1% greater than the figures given above, with the exception that the XEL250 cannot be set above 250.0V.

Voltage Setting:	By coarse and fine controls.
Current Setting:	By single logarithmic control.
Voltage Span Control (V-Span)	The voltage adjustment range can be controlled by digital setting of the end-stop values of the coarse voltage control to any desired values. The range for Vmax is 0.1V to 120V/250V depending on model. The range for Vmin is 0 to (Vmax – 0.1V).
Settings Lock (S-Lock)	Voltage and current settings can be locked by a single button press. Lock accuracy is equal to meter accuracy (see Meter Specification)
Output Mode:	Constant voltage or constant current with automatic cross-over. CC indicator lit in constant current mode.
Output Switch:	Electronic, non-isolating. Preset voltage and current limit displayed when Output is off. Output rise time with no load <20ms.
Output Terminals:	Front panel: Universal 4mm safety binding posts on 19mm (0.75”) spacing for Output; screwless terminals for Sense. Rear Panel: (XEL-P only) Screwless terminals for Output; no Sense.
Transient Response:	<250µs to within 50mV of setting for a 90% load change.
Voltage Programming Speed (XEL-P models):	Maximum time required for output to settle within 1% of its total excursion (resistive load). Excludes command processing time.

Range and Setting		90% Load	No Load		90% Load	No Load
120V 750mA	Up	10ms	10ms	Down	70ms	450ms
120V 75mA	Up	80ms	40ms	Down	250ms	450ms
250V 375mA	Up	40ms	15ms	Down	200ms	900ms
250V 75mA	Up	170ms	70ms	Down	500ms	900ms

Note: The above times are examples. The settling time for a particular voltage change is determined by the current available to charge the internal output capacitance (22µF) plus any load capacitance. For large voltage steps and low current limit settings the settling times can be significantly longer.

Ripple and Noise* (20MHz bandwidth):	Normal mode voltage: <2mVrms and 10mVp-p Normal mode current: <10µArms; <1µArms on 75mA range. Common mode current: <20µArms
--------------------------------------	--

** Specification applies for manual and digital interface operation only. Under analog remote control noise is a little worse but will typically still meet the limits given.*

Load Regulation:	For any load change, measured at the output terminals, using remote sense: Voltage $<(0.01\% + 10\text{mV})$. Add typically 2.5mV for a 0.5V drop in the positive output lead. Specification applies for sense lead resistance $<0.5\Omega$. Current typically $<(0.01\% + 50\mu\text{A})$
Line Regulation:	Voltage $<(0.01\% + 10\text{mV})$ for 10% line change. Current $<(0.01\% + 50\mu\text{A})$ for 10% line change.
Temperature Coefficient:	Voltage: typically $<(50\text{ppm} + 2\text{mV})/^\circ\text{C}$ Current: typically $<(100\text{ppm} + 0.1\text{mA})/^\circ\text{C}$; $<(100\text{ppm} + 0.01\text{mA})/^\circ\text{C}$ on 75mA range.
Output Protection:	Output will withstand forward voltages up to rated output voltage. Reverse protection by diode clamp for currents up to 3A.
OTP Protection:	Output trips off for over-temperature.
OVP and OCP Protection: (XEL-P models only)	Measure-and-compare over-voltage and over-current protection are implemented in firmware and can be set via the remote interfaces only. Output trips off for OVP and OCP. Setting resolution: 100mV and 0.1mA. Response time: typically 500ms. For manual operation (Local mode) OVP and OCP are fixed at 105% of the instrument range maximum.

METER SPECIFICATIONS

Display Type:	Dual 4-digit meters, 10mm (0.39") LED.
Voltage:	Resolution 100mV Accuracy $\pm (0.1\% \text{ of reading} + 100\text{mV})$
Current:	Resolution 0.1mA; 0.01mA on 75mA range. Accuracy $\pm (0.3\% + 0.3\text{mA}) \pm (0.3\% + 0.03\text{mA})$ on 75mA range.
Current Meter Average:	Selects a 2s time constant (normally 20ms) for averaging of rapidly varying load currents.

ANALOG REMOTE CONTROL (XEL-P models only)

Isolated inputs and non-isolated outputs to set voltage and current limit.

Isolated control input scaling:	Rear panel control inputs (CV and CC) permit external 0V to 5V or 0 to 10V signals (with respect to the common Return) to set 0 to 100% of rated output voltage and current. Inputs are protected against excess input voltages up to 60V. Isolation rating with respect to the output is 300V max.
Control input accuracy:	Voltage: 0.3% $\pm 200\text{mV}$. Input impedance 10k Ω . Current: 0.5% $\pm 0.5\text{mA}$. Input impedance 10k Ω .
Control output scaling:	Set values of 0 to 100% of rated output voltage and current generate 0 to 5V signals at the rear panel V_{out} and I_{out} outputs. Outputs are short-circuit protected. These signals are referenced to the output control circuit and will therefore be within $\sim 1\text{V}$ of the positive output potential.
Control output accuracy:	Voltage: 0.3% $\pm 100\text{mV}$ Current: 0.5% $\pm 0.5\text{mA}$. Output impedance: 125 Ω .
Remote Off:	Rear panel connections allow a switch closure to turn output off. Remote Off is referenced to the output control circuit and will therefore be within $\sim 1\text{V}$ of the positive output potential.

DIGITAL INTERFACES (XEL-P models only)

Full digital remote control facilities are available through the RS232, USB, LAN and GPIB (optional) interfaces.

Voltage Setting:	Resolution 10mV, Accuracy $\pm (0.05\% + 50\text{mV})$
Voltage Readback:	Resolution 10mV, Accuracy $\pm (0.1\% + 50\text{mV})$
Current Setting and Readback:	Resolution 0.1mA; 0.01mA on 75mA range. Accuracy $\pm (0.3\% + 0.3\text{mA}) \pm (0.3\% + 0.03\text{mA})$ on 75mA range.
RS232:	Standard 9-pin D-connector. Baud rate 9600.
GPIB (optional):	Conforming with IEEE488.1 and IEEE488.2
USB:	Standard USB 2.0 hardware connection. Operates as a virtual COM port.
LAN:	Ethernet 100/10base-T hardware connection. LXI V1.2, Class C compliant.
Remote Command Processing Time:	Typically <25ms between receiving the command terminator for a step voltage change at the instrument and the output voltage beginning to change.

GENERAL

AC Input:	230V AC or 115V AC $\pm 10\%$, 50/60Hz. Installation Category II
Power Consumption:	280VA max
Operating Range:	+5°C to +40°C, 20% to 80% RH
Storage Range:	-40°C to +70°C
Environmental:	Indoor use at altitudes up to 2000m, Pollution Degree 2.
Cooling:	Intelligent variable-speed low noise fan assists convection. Over-temperature trip shuts down output if internal temperatures exceed predetermined thresholds.
Safety:	Complies with EN61010-1
EMC:	Complies with EN61326
Size:	107mm x 131mm ($\frac{1}{4}$ rack 3U) x 288mm L (XEL-P: 343mm L), excluding feet, knobs and terminals.
Weight:	4.5kg (XEL-P: 4.9kg).

Safety

This instrument is a Safety Class I instrument according to IEC classification and has been designed to meet the requirements of EN61010-1 (Safety Requirements for Electrical Equipment for Measurement, Control and Laboratory Use). It is an Installation Category II instrument intended for operation from a normal single phase supply.

This instrument has been tested in accordance with EN61010-1 and has been supplied in a safe condition. This instruction manual contains some information and warnings which have to be followed by the user to ensure safe operation and to retain the instrument in a safe condition.

This instrument has been designed for indoor use in a Pollution Degree 2 environment in the temperature range 5°C to 40°C, 20% - 80% RH (non-condensing). It may occasionally be subjected to temperatures between +5°C and -10°C without degradation of its safety. Do not operate while condensation is present.

Use of this instrument in a manner not specified by these instructions may impair the safety protection provided. Do not operate the instrument outside its rated supply voltages or environmental range.

WARNING! THIS INSTRUMENT MUST BE EARTHED

Any interruption of the mains earth conductor inside or outside the instrument will make the instrument dangerous. Intentional interruption is prohibited. The protective action must not be negated by the use of an extension cord without a protective conductor.

When the instrument is connected to its supply, terminals may be live and opening the covers or removal of parts (except those to which access can be gained by hand) is likely to expose live parts. The apparatus shall be disconnected from all voltage sources before it is opened for any adjustment, replacement, maintenance or repair.

Capacitors inside the power supply may still be charged even if the power supply has been disconnected from all voltage sources but will be safely discharged about 10 minutes after switching off power.

Any adjustment, maintenance and repair of the opened instrument under voltage shall be avoided as far as possible and, if inevitable, shall be carried out only by a skilled person who is aware of the hazard involved.

If the instrument is clearly defective, has been subject to mechanical damage, excessive moisture or chemical corrosion the safety protection may be impaired and the apparatus should be withdrawn from use and returned for checking and repair.

Make sure that only fuses with the required rated current and of the specified type are used for replacement. The use of makeshift fuses and the short-circuiting of fuse holders is prohibited.

Do not wet the instrument when cleaning it.

The following symbols are used on the instrument and in this manual:-



Caution – risk of danger. Refer to the documentation (this manual) to find out the nature of the potential hazard and any actions which have to be taken.



Earth (ground) terminal.



mains supply OFF.



mains supply ON.



alternating current (ac)

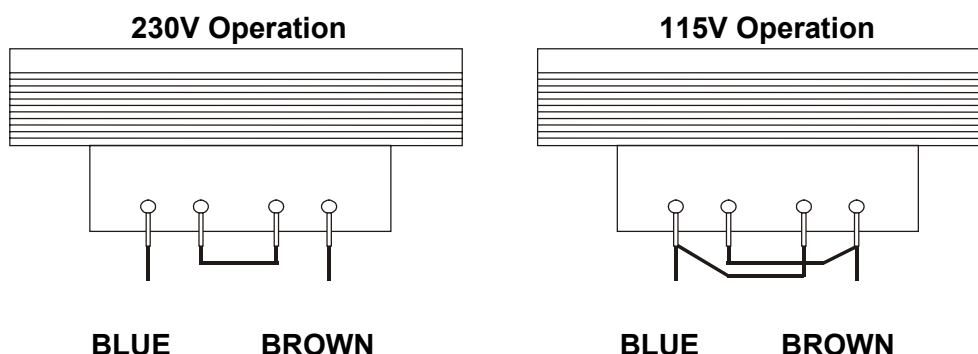


direct current (dc)

Mains Operating Voltage

Check that the instrument operating voltage marked on the rear panel is suitable for the local supply. Should it be necessary to change the operating voltage, proceed as follows:

1. Ensure that the instrument is disconnected from the AC supply.
2. Remove the plastic push-rivets at each side edge of the top cover. Use the blade of a small screwdriver to first ease out the rivet head and then fully remove the rivet body. Remove the two rear panel screws securing the top cover; slide the cover back and lift off.
3. Change the transformer connections following the diagrams:



4. Re-assemble in the reverse order. To comply with safety standard requirements the operating voltage marked on the rear panel must be changed to clearly show the new voltage setting.

Fuse

The AC fuse is located in the fuse drawer in the lower part of the IEC inlet connector.

The correct fuse type is 20 x 5mm 250V HBC time-lag with the following rating:

230V operation : 1.6A (T)

115V operation : 3.15A (T)

Make sure that only fuses with the required current rating and of the specified type are used for replacement. The use of makeshift fuses and the short-circuiting of fuse-holders are prohibited.

Mains Lead

Connect the instrument to the AC supply using the mains lead provided. Should a mains plug be required for a different mains outlet socket, a suitably rated and approved mains lead set should be used which is fitted with the required wall plug and an IEC60320 C13 connector for the instrument end. To determine the minimum current rating of the lead-set for the intended AC supply, refer to the power rating information on the equipment or in the Specification.

WARNING! THIS INSTRUMENT MUST BE EARTHED.

Any interruption of the mains earth conductor inside or outside the instrument will make the instrument dangerous. Intentional interruption is prohibited.

Mounting

This instrument is suitable both for bench use and rack mounting. A rack kit for mounting in a 19" rack is available from the Manufacturers or their overseas agents.

Ventilation

The power supply is cooled by an intelligent multi-speed fan which aids vertical convection. Take care not to restrict the air inlets underneath or the vents on the top. When rack-mounted allow adequate space above and below the instrument and/or use a fan tray for forced cooling.

Front Panel Connections

The load should be connected to the positive (red) and negative (black) terminals marked OUTPUT. Both are fully floating and either can be connected to ground.

Remote sense connections to the load, if required, are made from the positive (+) and negative (-) SENSE terminals. Switch the LOCAL/REMOTE switch to REMOTE when remote sensing is required. Switch back to LOCAL when remote sensing is not in use.




Warning! Voltages above 70Vdc are hazardous live according to EN 61010-1 and great care must be taken when using the power supply at voltages above this level.

The universal safety binding posts used for the output meet the requirements for reinforced insulation for voltages up to 250Vdc because creepage and clearance to the terminal contacts is >2.5mm even with the binding post fully open. However, it is highly recommended that the binding posts are usually fully tightened and that **connections are only made using leads fitted with fixed-shroud 4mm safety plugs**.

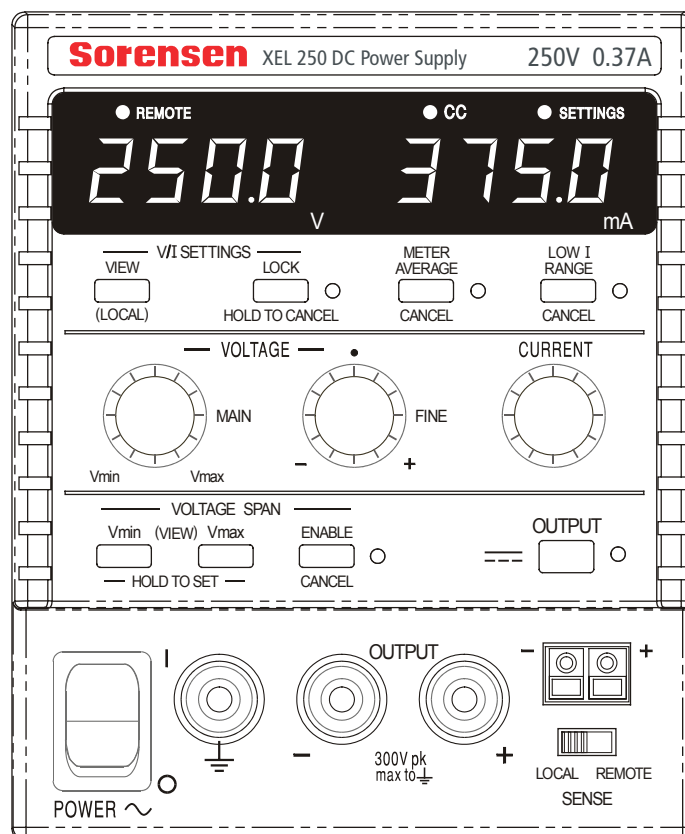
Connections to each Sense terminal are made by inserting the stripped end of the Sense wire connection into the contact whilst the spring-loaded button is depressed and then releasing the button to trap the wire. Ensure that the exposed end of the wire is fully inserted and inaccessible to the touch.



Always make connections to the instrument with the OUTPUT off.

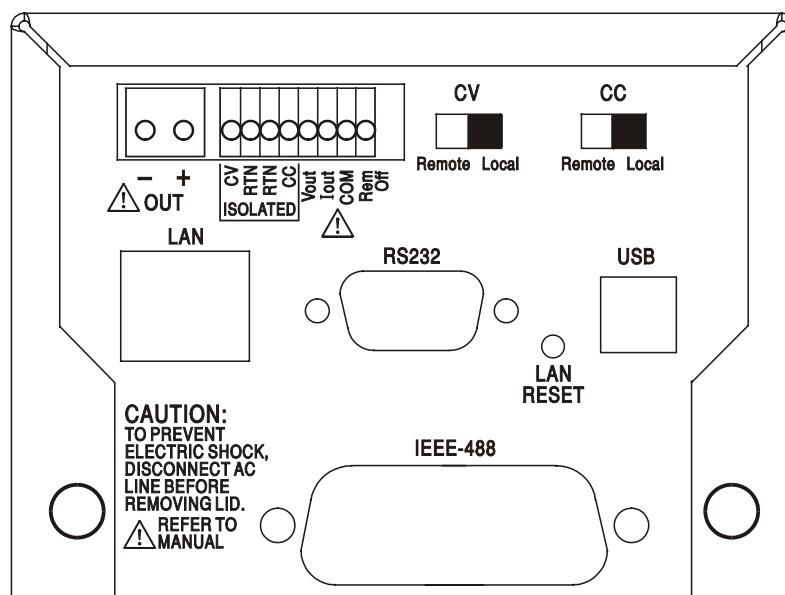
The terminal marked  is connected to the chassis and safety earth ground.

FRONT PANEL VIEW



Rear Panel Connections (programmable models only)

Non-programmable models have no rear panel connections. The rear panel connections of the programmable units are shown below:



Output Terminals

The Output terminals are duplicated on the rear panel terminal block; space restrictions limit the markings to + and – in the group marked OUT. These connections are paralleled with their front panel equivalents.

Remote sense connections are not available on the rear panel; should an application require remote sensing then the front sense terminals can be used. Switch the LOCAL/REMOTE switch to REMOTE when remote sensing is required. When the rear panel Output terminals are used, the use of remote sense is always recommended to ensure that output regulation is maintained within specification. Switch back to LOCAL when remote sensing is not in use.

Analog Remote Control

Connections CV and CC provide analog control of the Output Voltage and Current Limit respectively when slide switches CV and CC are set to Remote. These inputs, and their common return signal (RTN), are isolated from the output; the isolation rating with respect to the output is 300V max. The input scaling can be set independently, by internal links, as 0 to 5 Volts (the factory default) or 0 to 10 Volts for 0 to 100% of maximum output. Maximum permissible input is 60V.

CV and CC can be used independently or together.

Return slide switches CV and CC to Local when analog remote control is not in use.

Analog Out

Connections V_{OUT} and I_{OUT} provide analog outputs scaled to the set output voltage and set current limit respectively. The scaling is fixed at 0 to 5 Volts for 0 to 100% of maximum output. V_{OUT} and I_{OUT} are always present on the terminals, whether the instrument is under local or remote control.



Warning! COM is referenced to the output control circuit and will be within ~1V of the positive output potential. V_{OUT} and I_{OUT} are always present on the terminals.



Do not apply external voltages to these terminals.

Remote On/Off

A switch closure or logic low between connections Rem Off and COMmon will turn off the output.



Warning! COM is referenced to the output control circuit and will be within ~1V of the positive output potential.



Do not apply external voltages to these terminals.

RS232

9-pin female D-connector with pin connections as shown below. Can be connected to a standard PC port using a fully wired 1:1 male-female cable without any cross-over connections.

Pin	Name	Description
1	RI	Passively asserted (+V through 10k Ω)
2	TXD	Transmitted data from instrument
3	RXD	Received data to instrument
4	CTS	
5	GND	Signal ground
6	RTS	Passively asserted (+V through 10k Ω)
7	DSR	No internal connection
8	DTR	
9	CD	No internal connection

Signal ground is connected to instrument ground.

USB

The USB port is connected to instrument ground. It conforms with USB 2.0 (Full Speed) and accepts a standard USB cable. The Windows plug-and-play functions should automatically recognize that the instrument has been connected. If the correct driver is not found, follow the Windows on-screen prompts and install the required files from the CD supplied.

LAN

The LAN interface is designed to meet LXI (Lan eXtensions for Instrumentation) version 1.2; the instrument is Class C compliant. Remote control using the LAN interface is possible using a TCP/IP Socket protocol. The instrument also contains a basic Web server which provides information on the unit and allows it to be configured. Since it is possible to misconfigure the LAN interface, making it impossible to communicate with the instrument over LAN, a LAN Configuration Initialize (LCI) mechanism is provided via a recessed switch on the rear panel (marked LAN RESET) to reset the unit to the factory default.

Further details are given in the Remote Operation chapter. For more information on LXI standards refer to www.lxistandard.org/home

GPIB (factory option on programmable models only)

The GPIB signal grounds are connected to the instrument ground. The implemented subsets are:

SH1 AH1 T6 TE0 L4 LE0 SR1 RL2 PP1 DC1 DT0 C0 E2

The GPIB address is set from the front panel.

Manual Operation

In this operating manual, front panel keys, controls and sockets are shown in capitals, e.g. CURRENT, OUTPUT, LOCK. Messages displayed on the 7-segment LEDs are shown in a different type-font, e.g. **turn OFF**, **OTp trip**.

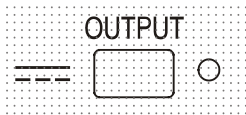
Switching On and Power-On Conditions

The POWER switch is located at the bottom left of the front panel. When the POWER switch is turned on (I) the right hand meter briefly indicates the firmware revision before the display shows Volts and Amps.

For programmable XEL-P models the default display sequence at power on is different: the right hand meter briefly indicates the instrument firmware revision followed by the interface firmware revision (**IF** shows in the left hand meter) before the display shows Volts and Amps. If, after a few seconds, no physical LAN connection is found, the instrument's display will flash alternately between the normal voltage and current values and the message **LAN Err**, for the next 10 seconds. Indication of no LAN connection at power on is an essential LXI compliance requirement but can be disabled by the 'NOLANOK 1' command over any interface, see the LAN Error paragraph in the Remote Interface Operation section for further details. This change of power on setting is retained until reversed by a 'NOLANOK 0' command or by the use of the rear panel LAN RESET switch to restore the factory default LAN setting, see the LAN paragraph in the Remote Interface Operation section.

Note that the display messages do not affect the operation of the power supply itself.

At power on, the factory default setting is for the output to be off. The preset output volts and current will be determined by the present control settings and shown in the display. All other settings will be the same as they were at last power off.



The dc output state at power-on can be set to be 'always off' or 'same as at last power-off'. The setting can be changed as follows. With the VIEW key held down, press and hold down the **OUTPUT** key; the display will first show the present setting for 1 second (**OP OFF** if the factory default is still selected) before flashing the new setting for 2 seconds (**LAST Set** in this instance). After 2 seconds the new setting is shown continuously in the display and the change is implemented; release the OUTPUT and VIEW keys.

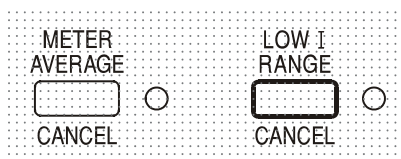
Repeating the procedure will change the setting back to the previous state.

Output Control

Setting Up the Output

With the POWER switch on and the **OUTPUT** off the output voltage and current limit can be accurately preset using the VOLTAGE and CURRENT controls; the left-hand meter shows the set voltage, the right-hand meter shows the set maximum current and the SETTINGS indicator is lit.

When the output switch is switched on, the OUTPUT indicator lights; the left-hand meter now shows the actual voltage and the right-hand meter the actual load current.



The upper limit of the CURRENT control can be switched between the maximum for this model and 75mA with alternate presses of the LOW I RANGE key to give finer current limit setting and measurement resolution (0.01mA up to 75mA); the indicator beside the key is lit when the low range is selected.

To change the current limit range the output must be switched off; if the output is on the warning message **turn OFF** is shown briefly in the display, the OUTPUT indicator flashes and the range remains unchanged.

Constant Voltage

The output voltage is adjusted using the main and fine VOLTAGE controls; the CURRENT control sets the maximum current that can be supplied.

Constant Current

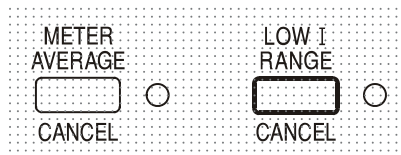
If the load resistance is low enough such that, at the output voltage set, a current greater than the current limit setting would flow, the power supply will automatically move into constant current operation. The current output is adjusted by the CURRENT control and the VOLTAGE controls set the maximum voltage that can be generated.

The CC indicator lights to show constant current mode.

Instantaneous Current Output

The current limit control can be set to limit the continuous output current to levels down to 0.1mA (0.01mA on 75mA range). However, in common with all precision bench power supplies, a capacitor is connected across the output to maintain stability and good transient response. This capacitor charges to the output voltage and loading of the output will produce a current pulse as the capacitor discharges which is independent of the current limit setting.

Current Meter Averaging



To reduce the measurement jitter with rapidly varying load currents a 2-second time constant can be selected by pressing the METER AVERAGE key; the indicator beside the key lights when meter averaging is selected. Press the key again to CANCEL meter averaging and return to the standard 20ms time constant.

Connection to the Load

The load should be connected to the positive (red) and negative (black) OUTPUT terminals. Both are fully floating and either can be connected to ground.



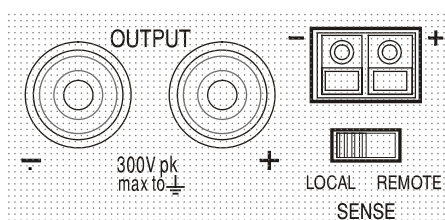
Warning! Voltages above 70Vdc are hazardous live according to EN 61010-1 and great care must be taken when using the power supply at voltages above this level.

It is highly recommended that connections are only made using leads fitted with fixed-shroud 4mm safety plugs. Make sure that the circuit to which connections are made is appropriately insulated; no accessible parts of the external circuit should become hazardous live in normal or single fault condition as defined by EN61010-1.

Always make connections to the instrument with the OUTPUT off.

Remote Sensing

The use of remote sense is seldom required because the maximum output current of the instrument is low. However, even at low currents the resistance of connecting leads can result in differences between the indicated source voltage and the actual load voltage (two 200mΩ connecting leads will drop 0.2V at 500 mA, for instance).



This problem can be minimized by using short, thick, connecting leads, but where necessary it can be completely overcome by using the remote sense facility.

This requires the sense terminals to be connected to the output at the load instead of at the source; insert wires into the spring-loaded SENSE terminals and connect directly to the load. Switch the LOCAL/REMOTE switch to REMOTE.



Warning! Voltages above 70Vdc are hazardous live according to EN 61010-1 and great care must be taken when using the power supply at voltages above this level.

Ensure that the exposed end of the wire is fully inserted and inaccessible to the touch.

Always make connections to the instrument with the OUTPUT off.

Make sure that the circuit to which connections are made is appropriately insulated; no accessible parts of the external circuit should become hazardous live in normal or single fault condition as defined by EN61010-1.

To avoid instability and transient response problems, care must be taken to ensure good coupling between each output and sense lead. This can be done either by twisting the leads together or by using coaxially screened cables (sense through the inner). An electrolytic capacitor with a suitable voltage rating directly across the load connection point may also be beneficial. The voltage drop in each output lead must not exceed 0.5 Volts.

Switch the LOCAL/REMOTE switch back to LOCAL when remote sensing is not in use.

Output Connection and Remote Sensing on Programmable Models

All programmable models have duplicate rear panel Output terminals, appropriate for when the instruments are used in a rack. Should remote sensing be required the front sense terminals can be used. Connect the Sense terminals to the load, following the guidelines above, and set the LOCAL/REMOTE switch to REMOTE.

If the rear panel Output terminals are used without remote sense make sure that the front panel switch is set to LOCAL.

Series or Parallel Connection with Other Outputs

The outputs of the power supply are fully floating and may be used in series with other power supply units to generate high DC voltages up to 300V DC.



The maximum permissible voltage between any terminal and earth ground (\perp) is 300VDC



Warning! Voltages above 70Vdc are hazardous live according to EN 61010-1 and great care must be taken when using the power supply at voltages above this level.

Always make connections to the instrument with the OUTPUT off.

It should be noted that the unit can only source current and cannot sink it, thus units cannot be series connected in anti-phase.

The unit can be connected in parallel with others to produce higher currents. Where several units are connected in parallel, the output voltage will be equal to that of the unit with the highest output voltage setting until the current drawn exceeds its current limit setting, upon which the output will fall to that of the next highest setting, and so on. In constant current mode, units can be connected in parallel to provide a current equal to the sum of the current limit settings.

Protection

The output has intrinsic short-circuit protection and is protected from reverse voltages by a diode; the continuous reverse current must not exceed 3 Amps, although transients can be much higher. If the applied reverse voltage can source more current than the set current limit, and the output is on, then the output will go into current limit (the CC indicator will flash) and its display will show the reverse voltage across the protection diode; if the output is off, just the CC indicator will flash.

In common with all series regulated single-ended power supplies, the unit is not capable of sinking current provided from an external source. If a voltage greater than the set output voltage of the unit is applied from an external source, the internal regulator will turn off and no current will flow; if the output is turned on the voltage meter will read the applied voltage. No damage will result providing the applied voltage does not exceed the rated output voltage of the power supply.

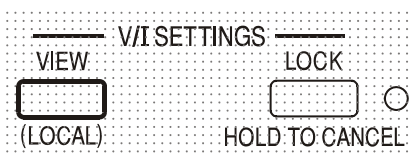
With the OUTPUT off the load is still connected to the power supply output stage; the output voltage is simply set to zero. Do not apply external voltages to the power supply terminals in excess of the rated output voltage, even with the output off, or damage may result.

Over-temperature Protection

An internal sensor will detect over-temperature due to blocked airflow, fan failure or other circuit fault. Over-temperature will turn the output off, the OUTPUT indicator will flash, and the display will show the message **OtP triP**. When the cause of the over-temperature has been removed, and the instrument has cooled down, the output indicator will go off but the message **OtP triP** continues to show. Pressing the OUTPUT key once will change the display to show the preset voltage and current (the SETTINGS indicator will be lit) but the output will remain off; pressing it a second time will turn the output on normally.

If the OUTPUT key is pressed while the instrument is still over-temperature (OUTPUT indicator is flashing), the message **OtP triP** is replaced by the preset voltage and current (the SETTINGS indicator will be lit) but the output will remain off; each subsequent press of the OUTPUT key causes the **OtP triP** message to be displayed briefly but the output will remain off until the over-temperature condition ends.

View Settings



The set voltage and current limit are always shown when the output is off but can also be viewed when the output is on by pressing the VIEW key; the SETTINGS indicator is lit whilst the VIEW key is pressed.

Lock Settings

Pressing the LOCK key digitally locks the set voltage and current limit. The settings are stored with a precision of better than 1 digit. Subsequent adjustments of the VOLTAGE and CURRENT controls will have no effect.

Because cancelling LOCK will cause the output settings to change if the VOLTAGE and CURRENT control positions have been moved, warning reminders are given before LOCK is cancelled. Press and hold the key to cancel LOCK.

If the OUTPUT is off (the safe condition) the display will flash the 'unlocked' settings twice before the change is implemented; the LOCK lamp goes off.



If the output is still on, **OP on** (output on) will flash twice in the display, followed by flashing of the new 'unlocked' settings for 2-3 seconds (slowly at first, then faster) before the change is finally implemented; the LOCK lamp goes off when the change is made.

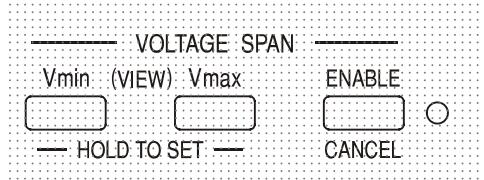
Releasing the LOCK key at any time while the display is flashing will abort the LOCK cancellation.

Attempting to change the current limit range (see Setting up the Output section) or the voltage span limits (see Voltage Span section) with LOCK enabled is not allowed; if attempted, the message **Unloc** is shown briefly in the display and the LOCK indicator is also flashed. If the output is also on when these actions are attempted the message **turn OFF** is first shown in the display (accompanied by the output indicator flashing) followed by the message **Unloc** (with the LOCK indicator flashing).

The LOCK status at power on is the same as at last power off.

Using Voltage Span

The VOLTAGE SPAN (**V-Span**) capability allows the end-stop values of the VOLTAGE controls to be redefined by the user such that the controls operate within a specific, narrower, voltage range. This not only has the advantage of protecting against the accidental application to the load of voltages outside of the range, but also provides high-resolution analog control over the specified voltage range using the full 300° rotation of the voltage controls.



V-Span is turned on or off with the ENABLE key. The ENABLE lamp is lit when V-Span is selected. The factory default is $V_{\min} = 3\text{V}$, $V_{\max} = 5\text{V}$

Because turning V-Span on will always change the output voltage, it can only be enabled or cancelled with the output off. If attempts are made to enable or cancel V-Span with the output on, the display will briefly show the message **turn OFF** to prompt the user to turn the output off.

To set new values for V_{\min} or V_{\max} the V-Span function must be off (cancelled).

The lower voltage limit is defined by using the MAIN and FINE VOLTAGE controls to set exactly the required value; the V_{\min} key is then held pressed until the left-hand side (V) display stops flashing and the right-hand side (mA) display shows **Set**. The setting can be VIEWed at any time by a short press (<1 second) of the V_{\min} key. The upper voltage limit is set and VIEWed in exactly the same way using the VOLTAGE controls and the V_{\max} key.

The limits can be set in any order and to any value within the output range of the instrument but V-Span can only be turned on with the ENABLE key if $V_{\max} \geq (V_{\min} + 0.1\text{V})$; if this condition is not met, the message **Set Err** is briefly displayed and the V-Span function is not implemented.

When V-Span is enabled, the range of the MAIN VOLTAGE control is exactly V_{\min} to V_{\max} when the FINE control is set at its mid-point, marked on the panel with a **•**. The FINE control itself can be usefully used to give an additional fine adjustment of $\pm 1\%$ (of the voltage span). Note, however, that if V_{\max} is set close to 250V the fine control cannot adjust the voltage above 250.0V.

The V-Span status at power on is the same as at last power off.

Remote Analog Control (programmable models only)

Remote analog control of output voltage and current is possible using variable external control voltages applied between the rear panel CV or CC and Return (RTN) inputs respectively. These inputs are isolated from the output; the isolation rating with respect to the output is 300V max. Inputs are protected against excess input voltages of up to 60V.

The Analog Out control voltages V_{out} and I_{out} of one unit acting as a 'master' can be used to control a 'slave' unit via the slave's CV and CC inputs respectively.

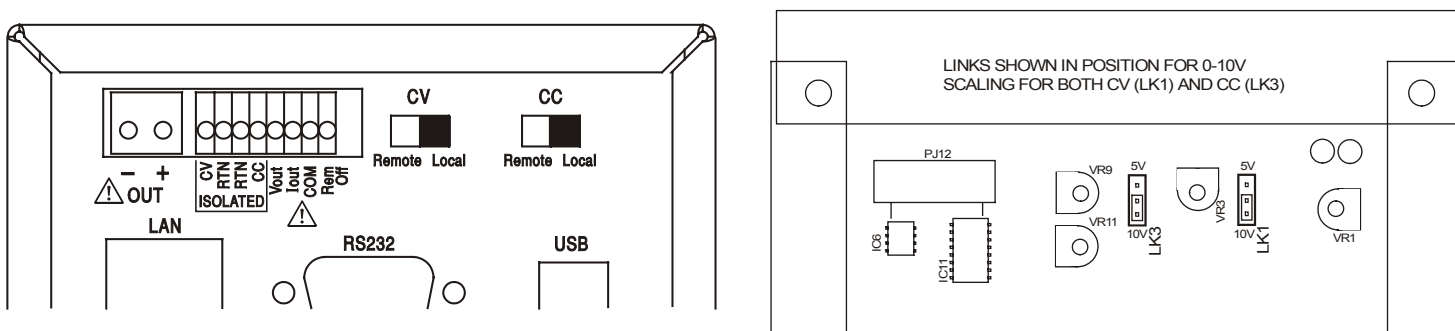
Analog Voltage Control

Remote analog voltage control is achieved by setting the rear panel CV switch to Remote and applying a programming voltage between the inputs CV and RTN.

The front panel VOLTAGE controls are disabled when Remote is set on the CV switch. Set the switch to Local to return control to the front panel.

The default input voltage scaling is 0V to 5V for 0 to 100% of the rated output voltage. The input voltage scaling can be changed to be 0V to 10V by changing an internal shorting link. Disconnect the instrument from the AC source and remove the cover as described in the Installation section. Referring to the top view of the instrument shown in the drawing, move the tall shorting link in position LK1 to link centre and '10V' pins instead of centre and '5V' pins.

Remote CV can be used with either Local or Remote CC.



Analog Current Control

Remote analog constant current control is achieved by setting the rear panel CC switch to Remote and applying a programming voltage between the inputs CC and RTN. Remote analog current control cannot be used on the low current range.

The front panel CURRENT control is disabled when Remote is set on the CC switch. Set the switch to Local to return control to the front panel.

The default input voltage scaling is 0V to 5V for 0 to 100% of the rated maximum current (high range only). The input voltage scaling can be changed to be 0V to 10V by changing an internal shorting link. Disconnect the instrument from the AC source and remove the cover as described in the Installation section. Referring to the top view of the instrument shown in the drawing, move the tall shorting link in position LK3 to link centre and '10V' pins instead of centre and '5V' pins.

Remote CC can be used with either Local or Remote CV.



CAUTION. Do not apply external control voltages to either the CV or CC input that exceed the maximum for the set input range (5V or 10V). The inputs are protected against excess voltages but the instrument will attempt to supply an output voltage or current in excess of its maximum rating if the control voltage exceeds its range limit, with possible consequential damage. If the condition persists, OVP and/or OCP may trip the output off, see next section.

OVP and OCP

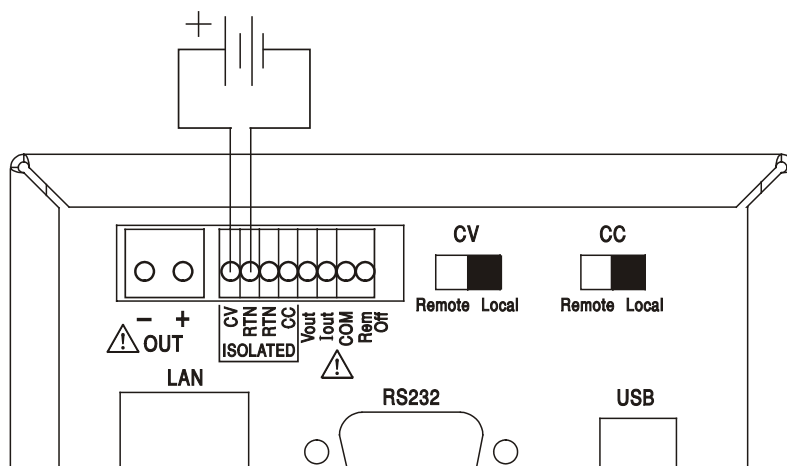
OVP (over-voltage protection) and OCP (over-current protection) are implemented in firmware and can only be set and used when under remote control via the RS232, USB, LAN (LXI) or GPIB interfaces. Setting resolutions are 10mV and 1mA and typical response times are 500ms. However, in local mode, OVP and OCP are still active but automatically default to 105% of the instrument's range maximum. This usefully provides shut-down protection in the event of prolonged application of a CV or CC control voltage which attempts to set the output beyond 105% of the range maximum.

Practical Considerations when using CV and CC

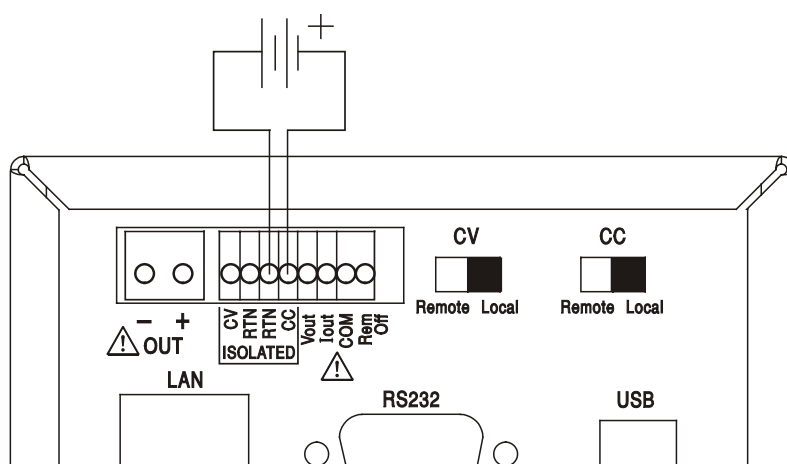
The stability of the control voltages directly affects the stability of the output. Any noise on the control signals will generate noise on the output. To minimize noise on the output connect the control voltages to the CV, CC and RTN inputs using twisted or screened pairs (screens grounded at one end only) and keep the connections as short as possible. Note that output noise is inherently slightly higher when analog remote control is used because of intrinsic noise in the isolating input circuitry, see the Specification.

The diagrams below show the connections for Constant Voltage (CV) and Constant Current (CC) control using an external voltage.

Constant Voltage Control



Constant Current Control



Note that when the OUTPUT is on, the instrument's display always shows the actual output voltage and current, whichever control source is active. However, when the OUTPUT is off, the display will show the preset voltage and current set by the front panel controls (or the digital interface if active) and not the values determined by the CV and CC inputs even if they have been made active (CV and CC set to Remote). To avoid confusion it is good practice to set the front panel controls to minimum when remote CV and CC are used.

Analog Out Control Voltages

Analog Out control voltages V_{out} and I_{out} are generated from the actual internal control voltages, for which the active source can be the front panel controls, the digital interface (RS232, USB, LAN or GPIB) or the remote analog inputs CV and CC. V_{out} and I_{out} are scaled such that 0 to 100% of the rated output voltage and current (high range only) generate 0V to 5V at the rear panel V_{out} and I_{out} terminals with respect to COM. I_{out} always corresponds to the set current, whether the output is on or off, but V_{out} goes to 0V when the output is off.



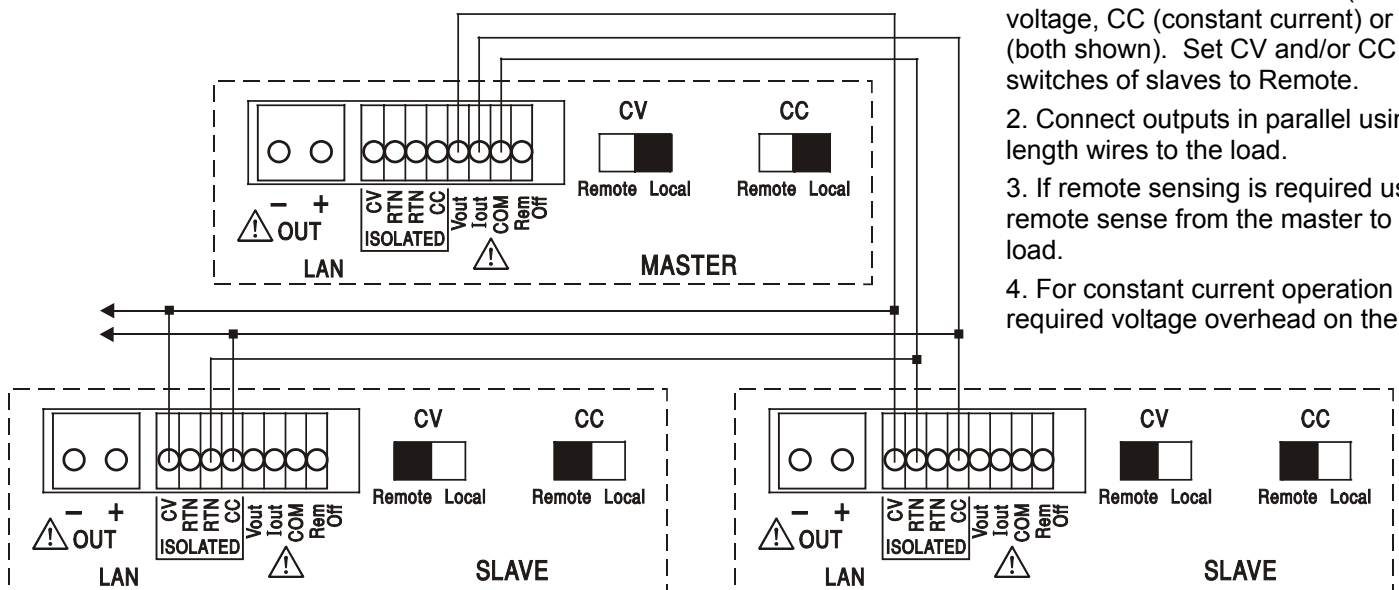
Warning! COM is referenced to the output control circuit and will be within ~1V of the positive output potential. V_{OUT} and I_{OUT} are always present on the terminals.

Parallel Operation in Master-Slave Configuration

Parallel operation in Master-Slave configuration permits higher output currents to be realized with equal current sharing between units and control of both voltage and current from a single unit. All units should be of the same type, i.e. same rated output voltage and current. The diagram shows 3 units connected in parallel. For equal current sharing each unit must be independently connected to the load with pairs of wires of equal gauge and length to ensure equal voltage drops. Connect the V_{out} , I_{out} and COM of the master to the CV, CC and RTN inputs of the slaves (set CV and CC switches to Remote) as shown.

The voltage and current of the master can be set by either the front panel controls via the digital interface, or by an external voltage applied to its own CV and CC analog control inputs.

Parallel Operation in Master-Slave Configuration



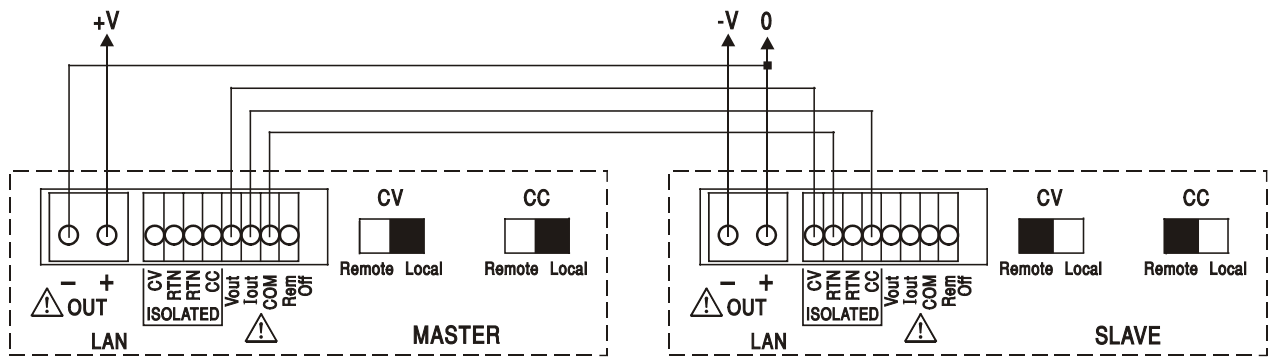
Notes:

1. Units can be wired for CV (constant voltage, CC (constant current) or both (both shown). Set CV and/or CC switches of slaves to Remote.
2. Connect outputs in parallel using equal length wires to the load.
3. If remote sensing is required use only remote sense from the master to the load.
4. For constant current operation set the required voltage overhead on the master.

In constant voltage mode the voltage across the load is that set on the master unit by its front panel controls, via the digital interface or by the analog CV remote control input. The current limit for the system (i.e. the current in constant current mode) is the current limit set on the master $\times n$, where n is the total number of units connected in parallel.

Isolated or Series Operation in Master-Slave Configuration

Isolated or Series operation in Master-Slave configuration permits tracking output voltages and current limits to be set for multiple units from a single instrument. All units should be of the same type, i.e. same rated output voltage and current. The diagram shows 2 units connected in series for tracking \pm Volts and tracking current limits. Connect the V_{out} , I_{out} and COM of the master to the CV, CC and RTN inputs of the slaves (set CV and CC switches to Remote) as shown.



If independent current limits are required set CC to Local and set the limits from the front panel of each unit.



Warning! In series operation take care not to exceed the maximum rated operating voltage (300V) of any terminal with respect to earth ground (\perp).

Remote Off

A switch closure or logic low between the rear panel Rem Off and COM inputs will remotely turn off the output if it was previously on; the front panel OUTPUT lamp will also go off. Opening the switch between Rem Off and COM will turn the output on again.



Warning! COM is referenced to the output control circuit and will be within ~1V of the positive output potential.

Remote Interface Operation

The instrument can be remotely controlled via its RS232, USB, LAN or GPIB (optional) interfaces. Analog remote control is described in the previous section.

USB remote control operates in a similar way to RS232 but via the USB connector. Software supplied with the instrument sets up the controlling computer to treat the USB connection as a virtual COM port. Application software on the computer can then access the instrument via that COM port.

The LAN interface is designed to meet LXI (Lan eXtensions for Instrumentation) version 1.2; the instrument is Class C compliant. Remote control using the LAN interface is possible using the TCP/IP Sockets protocol. The instrument also contains a basic Web server which provides information on the unit and allows it to be configured from a web browser. Simple command line control from the browser is also possible.

The instrument is supplied with RS232, USB, and LAN as standard; GPIB is an option. All interfaces are, by default, live at all times (a LXI requirement) but access to individual interfaces may be restricted using the configuration options on the web pages.

Interface Locking

All interfaces are live at all times; this removes the need to select the active interface and is also a LXI requirement. To reduce the risk of the instrument being inadvertently under the control of two interfaces at once a simple lock and release mechanism is provided in the instruction set. The lock is automatically released where it is possible to detect disconnection and when the local button is pressed. Access to the interfaces may also be restricted using the web pages.

Any interface may request to have exclusive control of the instrument by sending an "IFLOCK" command. The lock may only be released by sending an "IFUNLOCK" command from the interface instance that currently has the lock and may be queried from any interface by sending an "IFLOCK?" command. The reply to any of these commands will be "-1" if the lock is owned by another interface instance, "0" if the interface is free and "1" if the lock is owned by the requesting interface instance. Sending any command from an interface without control privileges that attempts to change the instrument status will set bit 4 of the Standard Event Status Register and put 200 into the Execution Error Register to indicate that there are not sufficient privileges for the required action.

Note: it is also possible to configure the privileges for a particular interface to either 'read only' or 'no access' from the Web page interface.

Address Selection

The instrument address capability is strictly required only by the GPIB interface. However, use can be made of the ADDRESS? command over any of the interfaces to easily identify which instrument is being controlled by a particular COM port (for RS232 or USB) or TCP socket (for LAN). Note that the LAN interface also has a separate 'Identify' function, accessible from the instrument's web pages, that flashes the instrument's display until the function is cancelled.

The address is set from the instrument's front panel as follows. Start with the instrument off and, with the Lock, Meter Average and Current Range keys all held down switch the instrument on. The display will show **Addr** in the Volts display and **nn** in the mA display where **nn** is the present setting (default **Addr 11**). The address can be decremented and incremented by the Meter Average and Current Range keys respectively in the range 1 to 31 inclusive (not 0), with 'wrap-round'. The address is confirmed and the process exited by holding down the Lock key; the display will show **SEt** and the new address for approximately 2 seconds, returning to the normal Volts and mA display when the new address has been accepted.

The address can also be set from the instrument's web pages.

Remote/Local Operation

At power-on the instrument will be in the local state with the REMOTE indicator off. In this state all front panel operations are possible. When the instrument is addressed to listen and a command is received the remote state will be entered and REMOTE will be turned on. In this state the front panel is locked out and remote commands only will be processed. The V/I settings, Meter Average setting, Current Range and output state(s) are unchanged but LOCK and V-Span are cancelled if they were on. The Vmin and Vmax values are retained. The instrument may be returned to the local state by pressing the LOCAL key; however, the effect of this action will only remain until the instrument is addressed again or receives another character from the interface, when the remote state will once again be entered. Returning to Local by this action, or by the use of the LOCAL command, will keep the V/I settings at their last remotely set values, with Lock Settings on, and will leave the output in its present state.

RS232 Interface

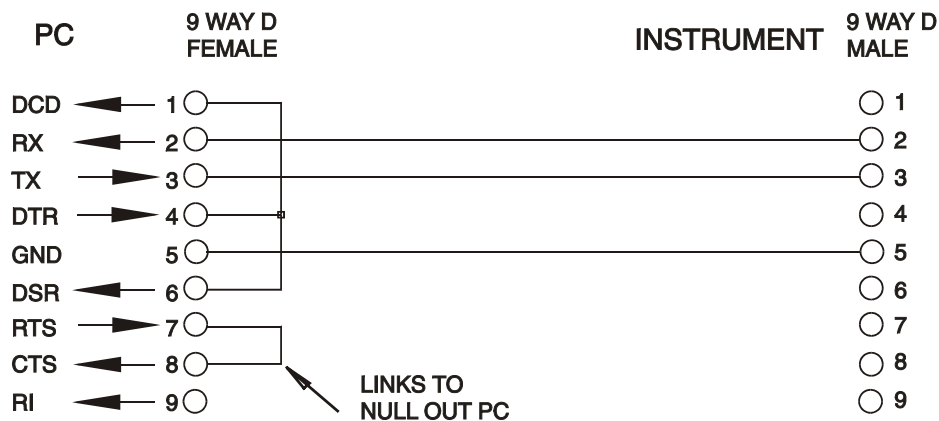
RS232 Interface Connector

The 9-way D-type serial interface connector is located on the instrument rear panel. The pin connections are as shown below:

Pin	Name	Description
1	RI	Passively asserted (+V through 10k Ω)
2	TXD	Transmitted data from instrument
3	RXD	Received data to instrument
4	CTS	
5	GND	Signal ground
6	RTS	Passively asserted (+V through 10k Ω)
7	DSR	No internal connection
8	DTR	
9	CD	No internal connection

RS232 Connections

The RS232 interface should be connected to a standard PC port using a fully wired 1:1 male-female cable without any cross-over connections. Alternatively, only pins 2, 3 and 5 need be connected to the PC, but with links made in the connector at the PC end between pins 1, 4 and 6 and between pins 7 and 8, see diagram.



Baud Rate for this instrument is fixed at 9600; the other parameters are fixed as follows:

Start Bits: 1	Parity: None
Data Bits: 8	Stop Bits: 1

RS232 Character Set

Because of the need for XON/XOFF handshake it is possible to send ASCII coded data only; binary blocks are not allowed. Bit 7 of ASCII codes is ignored, i.e. assumed to be low. No distinction is made between upper and lower case characters in command mnemonics and they may be freely mixed. The ASCII codes below 20H (space) are not used. In this manual 20H, etc. means 20 in hexadecimal. The unit will send XOFF when there are 50 free bytes remaining and XON when this increases to 100 bytes.

USB Interface

The USB interface is a virtual COM port which can be controlled by a PC as if it was a RS232 device. The instrument is supplied with a CD containing an .inf file for the standard Microsoft drivers available in Windows 2000, XP, Vista and Windows 7; the installation wizard will install the driver (32-bit or 64-bit) appropriate to the PC's operating system.

Installation of the interface driver is achieved by connecting the instrument to a PC via a standard USB cable. The Windows' plug and play functions should automatically recognize the addition of new hardware attached to the USB interface and, if this is the first time the connection has been made, prompt for the location of a suitable driver. Provided that the standard Windows prompts are followed correctly Windows will install the appropriate driver and establish a virtual COM port within the PC. The number of the new COM port will depend upon the number of co-existing COM ports within the PC. The virtual COM port can be driven by Windows applications in exactly the same way as a standard COM port, except that the Baud rate setting of the virtual COM port is ignored.

The driver will remain installed on the PC so that the establishment of a virtual COM port is done automatically each time the instrument is connected to the PC via USB in the future.

Further virtual COM ports are created for each additional instrument connected to the PC via USB. Each instrument is assigned a separate virtual COM port when it is first connected and the same COM port will be assigned each time that instrument is subsequently connected; the PC software makes use of the unique code embedded in each instrument to link it to the same virtual COM port irrespective of which physical USB port it is connected to.

Use can also be made of the ADDRESS? command to easily identify which instrument is being controlled by a particular COM port. Although the addressing capability is ignored in USB operation the address can still be set and used as an identifier; set each USB-connected instrument to a different address and send the ADDRESS? command from each virtual COM port to confirm which instrument is connected to that port.

LAN Interface

The LAN interface is designed to comply with the LXI standard version 1.2 and contains the interfaces and protocols described below. Since it is possible to misconfigure the LAN interface, making it impossible to communicate with the instrument over LAN, a LAN Configuration Initialize (LCI) mechanism is provided via a recessed switch on the rear panel to reset the unit to the factory default. The default setting is for the instrument to attempt to obtain settings via DHCP if available or, if DHCP times out (30 seconds), via Auto-IP. In the very unlikely event that an Auto-IP address cannot be found a static IP address of 192.168.0.100 is assigned. Resetting the LAN removes any password protection.

For more information on LXI standards refer to www.lxistandard.org/home .

LAN Connection

To use the LAN interface, the IP address of the unit must be known. There is a LXI Discovery Tool on the supplied CD-ROM which can be used to display the IP addresses (and other associated information) of all connected devices that comply with the VXI-11 discovery protocol. This tool is a Windows PC application that should be installed and run on the controlling PC with the unit either connected directly to the PC network connector or via a router. Connecting via a router is recommended as this is significantly quicker to assign an IP address; connecting directly to the PC will begin to assign an IP address only after a 30 second DHCP timeout. Double clicking on any entry in the list of devices discovered will open the PC's web browser and display the Home page of that device.

There are also tools for LAN discovery included as part of the National Instruments Measurement and Automation Explorer package and the Agilent Vee application.

The unit will, when first powered up, attempt to obtain settings via DHCP if available or, if DHCP times out (30 seconds), via Auto-IP. In the very unlikely event that an Auto-IP address cannot be found a static IP address of 192.168.0.100 is assigned. If a connection is still not made the instrument will flash **LAN Err** in the display, see LAN Error section for details.

Web Server; Configuration Password Protection

The unit contains a basic web server. This provides information on the instrument and allows it to be configured. The Configure page can be password protected to deter unauthorized changes to the remote operation configuration; the default configuration is 'no password'.

The Configure page itself explains how to set the password. The password can be up to 15 characters long; note that the **User Name should be left blank**. The password will, however, be reset to the default (no password) if the rear panel LAN RESET switch is used to reset all the LAN parameters to their factory default.

The web pages also have an 'Identify' function which allows the user to send an identifying command to the instrument which causes its display to flash until the command is cancelled.

ICMP Ping Server

The unit contains an ICMP server allowing the instrument to be 'pinged' via either its host name or IP address.

VXI-11 Discovery Protocol

The instrument has very limited support of VXI-11 which is sufficient for the discovery protocol and no more.

The instrument implements a Sun RPC Port-mapper on TCP port 111 and UDP port 111 as defined in RPC1183. The calls supported are: NULL, GET PORT and DUMP.

On TCP port 1024 a very simple VXI-11 protocol is implemented sufficient only for instrument discovery. This implements the following calls: CREATE LINK, DEVICE_WRITE, DEVICE_READ and DESTROY_LINK.

Once a link has been created anything written to the device is ignored and any read from the device returns the identification string as would be expected from a "*IDN?" of the form

'Manufacturer,Model,Serial No.,X.xx – Y.yy'

for example

SORENSEN, XEL 120-0.75P,279730,1.00 – 1.00

where 'X.xx' is the revision of the main firmware and 'Y.yy' is the revision of the interface firmware. Interface firmware is user field updateable via the USB port.

VISA Resource Name

Because of the limited support for VXI-11(Discovery Protocol only), the instrument must be referred to by its raw socket information when used in software packages which communicate via a VISA resource name. For example, an instrument at IP address 192.168.1.100 would normally have a VISA resource name of "TCPIP0::192.168.1.100::inst0::INSTR" but for this instrument the name must be modified to read "TCPIP0::192.168.1.100::9221::SOCKET" where 9221 is the TCP port used by this instrument for control and monitoring, see below.

XML Identification Document URL

As required by the LXI Standard, the instrument provides an XML identification document that can be queried via a GET at "http://<hostname>:80/lxi/identification" that conforms to the LXI XSD Schema (available at <http://www.lxistandard.org/InstrumentIdentification/1.0>) and the W3C XML Schema Standards (<http://www.w3.org/XML/Schema>). This document describes the instrument.

TCP Sockets

The instrument uses 2 sockets on TCP port 9221 for instrument control and monitoring. Text commands are sent to this port as defined in 'Remote Commands' and any replies are returned via the same port. Any string must be one or more complete commands. Commands may be separated with either semicolons ";" or line feeds. No terminator is required since the TCP frame contains complete commands though commands may be sent with a terminator if desired (it will be ignored). Each command over TCP behaves as if it is terminated with a command terminator (ASCII character 0AH, line feed).

LAN Error

If a LAN connection is made but an error is detected (e.g. the IP address is the same as another device on the network) then the instrument's display will flash alternately between the normal voltage and current values and **LAN Err**, until the error is corrected. If a LAN error occurs; check and correct the configuration of the instrument; a LAN Configuration Initialize (LCI) mechanism is provided via a recessed switch on the rear panel (marked LAN RESET) to reset the unit to the factory default. The default setting is for the instrument to attempt to obtain settings via DHCP if available or, if DHCP times out (30 seconds), via Auto-IP. In the very unlikely event that an Auto-IP address cannot be found a static IP address of 192.168.0.100 is assigned.

The display will also flash alternately between the normal values and **LAN Err** if no physical LAN connection is found at power on, but will stop flashing after 10 seconds. To disable this message at every power on send the command 'NOLANOK 1' over any interface. To re-enable the message at power on send the command 'NOLANOK 0 ' or use the recessed rear panel LAN RESET switch to reset all LAN parameters to their factory default settings, see the introduction to the LAN section.

GPIOB Interface

The GPIOB interface 24-way connector is located on the instrument rear panel. The pin connections are as specified in IEEE Std. 488.1-1987 and the instrument complies with IEEE Std. 488.1-1987 and IEEE Std. 488.2-1987.

GPIOB Subsets

This instrument contains the following IEEE 488.1 subsets:

Source Handshake	SH1
Acceptor Handshake	AH1
Talker	T6
Listener	L4
Service Request	SR1
Remote Local	RL2
Parallel Poll	PP1
Device Clear	DC1
Device Trigger	DT0
Controller	C0
Electrical Interface	E2

GPIB IEEE Std. 488.2 Error Handling – Query Error Register

The IEEE 488.2 UNTERMINATED error (addressed to talk with nothing to say) is handled as follows. If the instrument is addressed to talk and the response formatter is inactive and the input queue is empty then the UNTERMINATED error is generated. This will cause the Query Error bit to be set in the Standard Event Status Register, a value of 3 to be placed in the Query Error Register and the parser to be reset. See the Status Reporting section for further information.

The IEEE 488.2 INTERRUPTED error is handled as follows. If the response formatter is waiting to send a response message and a <PROGRAM MESSAGE TERMINATOR> has been read by the parser or the input queue contains more than one END message then the instrument has been INTERRUPTED and an error is generated. This will cause the Query Error bit to be set in the Standard Event Status Register, a value of 1 to be placed in the Query Error Register and the response formatter to be reset thus clearing the output queue. The parser will then start parsing the next <PROGRAM MESSAGE UNIT> from the input queue. See the Status Reporting section for further information.

The IEEE 488.2 DEADLOCK error is handled as follows. If the response formatter is waiting to send a response message and the input queue becomes full then the instrument enters the DEADLOCK state and an error is generated. This will cause the Query Error bit to be set in the Standard Event Status Register, a value of 2 to be placed in the Query Error Register and the response formatter to be reset thus clearing the output queue. The parser will then start parsing the next <PROGRAM MESSAGE UNIT> from the input queue. See the Status Reporting section for further information.

GPIB Parallel Poll

Complete parallel poll capabilities are offered on this instrument. The Parallel Poll Enable Register is set to specify which bits in the Status Byte Register are to be used to form the *ist* local message. The Parallel Poll Enable Register is set by the *PRE <nrf> command and read by the *PRE? command. The value in the Parallel Poll Enable Register is ANDed with the Status Byte Register; if the result is zero then the value of *ist* is 0 otherwise the value of *ist* is 1.

The instrument must also be configured so that the value of *ist* can be returned to the controller during a parallel poll operation. The instrument is configured by the controller sending a Parallel Poll Configure command (PPC) followed by a Parallel Poll Enable command (PPE). The bits in the PPE command are shown below:

bit 7 =	X	don't care
bit 6 =	1	Parallel poll enable
bit 5 =	1	
bit 4 =	0	
bit 3 =	Sense	sense of the response bit; 0 = low, 1 = high
bit 2 =	?	bit position of the response
bit 1 =	?	
bit 0 =	?	

Example. To return the RQS bit (bit 6 of the Status Byte Register) as a 1 when true and a 0 when false in bit position 1 in response to a parallel poll operation send the following commands

*PRE 64<pmt>, then PPC followed by 69H (PPE)

The parallel poll response from the instrument will then be 00H if RQS is 0 and 01H if RQS is 1.

During parallel poll response the DIO interface lines are resistively terminated (passive termination). This allows multiple devices to share the same response bit position in either wired-AND or wired-OR configuration, see IEEE 488.1 for more information.

Status Reporting

A separate error and status model is maintained for each interface instance; an interface instance is defined as a potential connection. USB, RS232 and GPIB are inherently single connections so represent one interface instance each. LAN, however, allows for multiple simultaneous connections and therefore represents multiple interface instances. Two interface instances are allocated to the two TCP socket interfaces and one more is allocated to the Web page interface. Having a separate model for each interface instance ensures that data does not get lost as many commands e.g. '*ESR?' clear the contents on read.

Error status is maintained using a set of registers; these are described in the following paragraphs and shown on the Status Model at the end of this section.

Standard Event Status and Standard Event Status Enable Registers

These two registers are implemented as required by the IEEE Std. 488.2.

Any bits set in the Standard Event Status Register which correspond to bits set in the Standard Event Status Enable Register will cause the ESB bit to be set in the Status Byte Register.

The Standard Event Status Register is read and cleared by the '*ESR?' command. The Standard Event Status Enable register is set by the '*ESE <nrf>' command and read by the '*ESE?' command.

It is a bit field where each bit has the following significance.

- Bit 7: Power On. Set when power is first applied to the instrument.
- Bit 6: User Request (Not used).
- Bit 5: Command Error. Set when a syntax type error is detected in a command from the bus. The parser is reset and parsing continues at the next byte in the input stream
- Bit 4: Execution Error. Set when an error is encountered while attempting to execute a completely parsed command. The appropriate error number will be reported in the Execution Error Register, see Error Messages section
- Bit 3: Verify Timeout Error. Set when a parameter is set with 'verify' specified and the value is not reached within 5 seconds, e.g. output voltage is slowed by a large capacitor on the output.
- Bit 2: Query Error. Set when a query occurs. The appropriate error number will be reported in the Query Error Register, see Query Error Register section.
- Bit 1: Not used.
- Bit 0: Operation Complete: Set in response to the '*OPC' command.

Execution Error Register

This register contains a number representing the last error encountered over the current interface. The Execution Error Register is read and cleared using the 'EER?' command. On power up this register is set to 0 for all interface instances.

Error messages have the following meaning:

- 0: No error encountered
- 1-9: Internal hardware error detected.
- 100: Range error. The numeric value sent is not allowed. This includes numbers that are too big or too small for the parameter being set and non-integers being sent where only integers are allowed.
- 101: A recall of set up data has been requested but the store specified contains corrupted data. This indicates either a hardware fault or a temporary data corruption, which can be corrected by writing data to the store again.
- 102: A recall of set up data has been requested but the store specified does not contain any data.

-
- 103: Attempt to read or write a command on the second output when it is not available. Typically this will occur if attempting to program the second output on single channel instruments or on a two-channel instrument which is set to parallel mode.
 - 104: Command not valid with output on. This is typically caused by using the 'IRANGE <n>' command without first turning the output off.
 - 200: Read Only: An attempt has been made to change the settings of the instrument from an interface without write privileges, see the Interface Locking section.

Limit Event Status and Limit Event Status Enable Registers

For single output power supplies there is one Limit Event Status Register; for dual power supplies (except if operating in parallel mode) there are two. These are read and cleared using 'LSR1?' and 'LSR2?' respectively. On power-up these registers are set to 0 then immediately set to show new limit status.

Any bits set in a Limit Event Status Register which correspond to bits set in the accompanying Limit Event Status Enable Register will cause the LIM1 or LIM2 bit to be set in the Status Byte Register.

- Bit 7: Reserved for future use
- Bit 6: Set when a trip has occurred that can only be reset from the front panel or by removing and reapplying the AC power.
- Bit 5: Reserved for future use
- Bit 4: Reserved for future use
- Bit 3: Set when an output over current trip has occurred
- Bit 2: Set when an output over voltage trip has occurred.
- Bit 1: Set when output enters current limit (CC mode)
- Bit 0: Set when output enters voltage limit (CV mode)

Status Byte Register and Service Request Enable Register

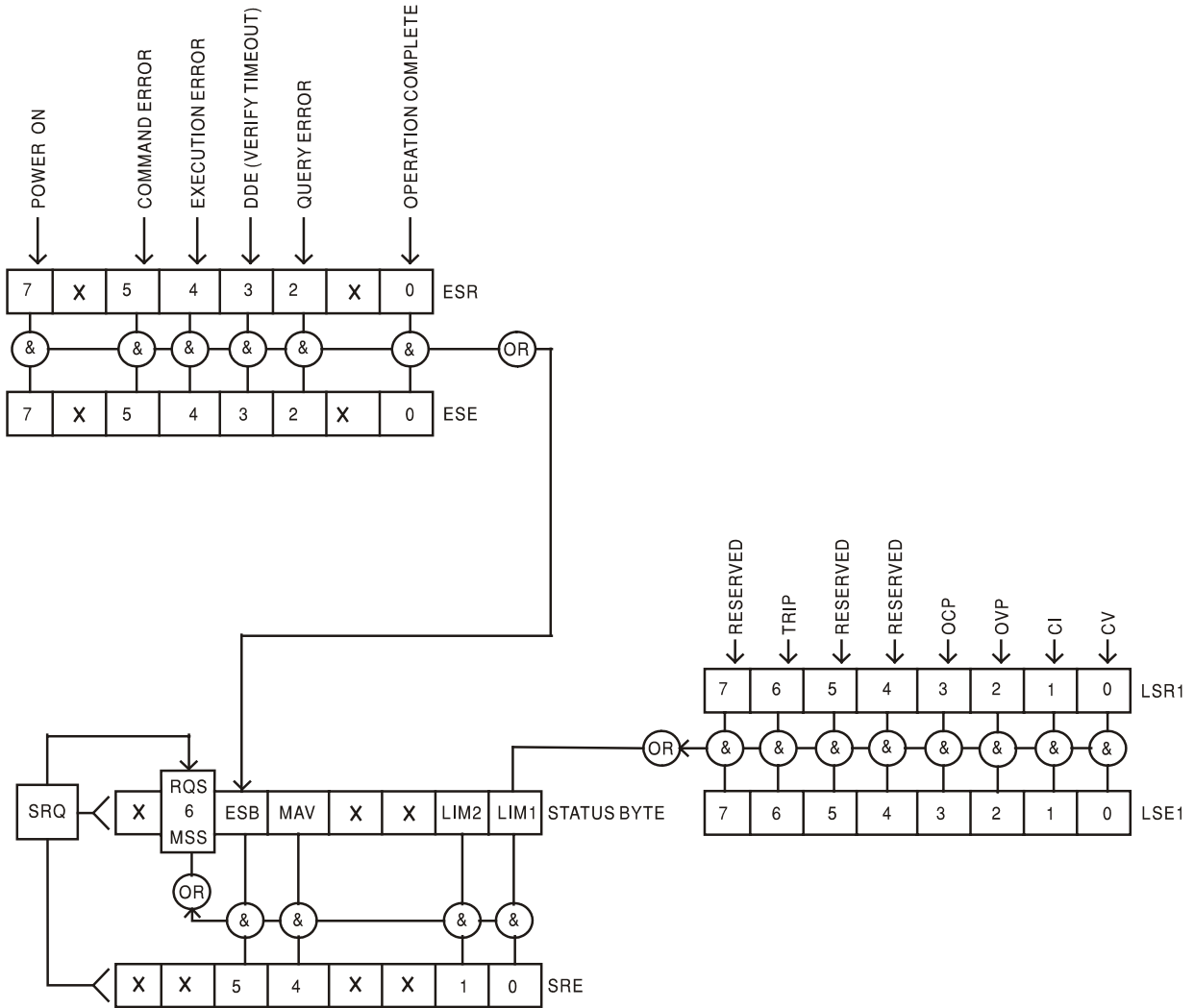
These two registers are implemented as required by the IEEE Std. 488.2.

Any bits set in the Status Byte Register which correspond to bits set in the Service Request Enable Register will cause the RQS/MSS bit to be set in the Status Byte Register, thus generating a Service Request on the bus.

The Status Byte Register is read either by the *STB? command, which will return MSS in bit 6, or by a Serial Poll which will return RQS in bit 6. The Service Request Enable register is set by the *SRE <nrf> command and read by the *SRE? command.

- Bit 7 - Not used.
- Bit 6 - RQS/MSS. This bit, as defined by IEEE Std. 488.2, contains both the Requesting Service message and the Master Status Summary message. RQS is returned in response to a Serial Poll and MSS is returned in response to the *STB? command.
- Bit 5 - ESB. The Event Status Bit. This bit is set if any bits set in the Standard Event Status Register correspond to bits set in the Standard Event Status Enable Register.
- Bit 4 - MAV. The Message Available Bit. This will be set when the instrument has a response message formatted and ready to send to the controller. The bit will be cleared after the Response Message Terminator has been sent.
- Bit 3 - Not used.
- Bit 2 - Not used.
- Bit 1 - LIM2. This will be set if any bits in Limit Event Status Register 2 are set and corresponding bits are set in Limit Event Status Enable Register 2.
- Bit 0 - LIM1. This will be set if any bits in Limit Event Status Register 1 are set and corresponding bits are set in Limit Event Status Enable Register 1.

Status Model



Power-on and Remote Operation Default Settings

The following instrument status values are set at power on:

Status Byte Register	= 0
Service Request Enable Register †	= 0
Standard Event Status Register	= 128 (pon bit set)
Standard Event Status Enable Register †	= 0
Execution Error Register	= 0
Query Error Register	= 0
Parallel Poll Enable Register †	= 0

† Registers marked thus are specific to the GPIB section of the instrument and are of limited use via other interfaces.

The instrument will be in local state with the front panel controls active (providing rear panel switches CV and CC are set to Local).

The instrument parameters at power-on are the same as at last switch off with the exception of the output status. By default this is always off at power on but the user may change this from the front panel to the same at power on as at switch off, see Switching On and Power-on Conditions paragraph in the Manual Operation section.

The *RST (reset) interface command resets the instrument to the Remote Operation Default settings.

Remote Operation Default settings are:

$V_{out}=1V$, $I_{out}=10mA$, $\Delta V=100mV$, $\Delta I=1mA$, Lock cancelled, V-Span cancelled, Low Range cancelled, Meter Average cancelled, OVP & OCP at 5% above instrument range maximums.

Remote interface settings, stored set-ups, V_{min}/V_{max} values and Output state at power-on setting are unchanged by *RST.

Remote Commands

RS232/USB Remote Command Format

RS232 input to the instrument is buffered in a 256 byte input queue which is filled, under interrupt, in a manner transparent to all other instrument operations. The instrument will send XOFF when approximately 200 characters are in the queue. XON will be sent when approximately 100 free spaces become available in the queue after XOFF was sent. This queue contains raw (un-parsed) data which is taken, by the parser, as required. Commands (and queries) are executed in order and the parser will not start a new command until any previous command or query is complete. RS232 responses to commands or queries are sent immediately; there is no output queue.

USB input conforms with USB 2.0 Full Speed.

Commands must be sent as specified in the commands list and must be terminated with the command terminator code 0AH (Line Feed, LF). Commands may be sent in groups with individual commands separated from each other by the code 3BH (;). The group must be terminated with command terminator 0AH (Line Feed, LF).

Responses from the instrument to the controller are sent as specified in the commands list. Each response is terminated by a <RESPONSE MESSAGE TERMINATOR> which is 0DH (Carriage Return, CR) followed by 0AH (Line Feed, LF).

<WHITE SPACE> is defined as character codes 00H to 20H inclusive.

<WHITE SPACE> is ignored except in command identifiers. e.g. '*C LS' is not equivalent to '*CLS'.

The high bit of all characters is ignored.

The commands are case insensitive.

GPIO Remote Command Formats

GPIO input to the instrument is buffered in a 256 byte input queue which is filled, under interrupt, in a manner transparent to all other instrument operations. The queue contains raw (un-parsed) data which is taken, by the parser, as required. Commands (and queries) are executed in order and the parser will not start a new command until any previous command or query is complete. There is no output queue which means that the response formatter will wait, indefinitely if necessary, until the instrument is addressed to talk and the complete response message has been sent, before the parser is allowed to start the next command in the input queue.

Commands are sent as <PROGRAM MESSAGES> by the controller, each message consisting of zero or more <PROGRAM MESSAGE UNIT> elements separated by <PROGRAM MESSAGE UNIT SEPARATOR> elements.

A <PROGRAM MESSAGE UNIT> is any of the commands in the remote commands list.

A <PROGRAM MESSAGE UNIT SEPARATOR> is the semi-colon character ';' (3BH).

<PROGRAM MESSAGES> are separated by <PROGRAM MESSAGE TERMINATOR> elements which may be any of the following:

NL	The new line character (0AH)
NL^END	The new line character with the END message
^END	The END message with the last character of the message

Responses from the instrument to the controller are sent as <RESPONSE MESSAGES>. A <RESPONSE MESSAGE> consists of one <RESPONSE MESSAGE UNIT> followed by a <RESPONSE MESSAGE TERMINATOR>.

A <RESPONSE MESSAGE TERMINATOR> is the new line character with the END message NL^END.

Each query produces a specific <RESPONSE MESSAGE> which is listed along with the command in the remote commands list.

<WHITE SPACE> is ignored except in command identifiers. e.g. '*C LS' is not equivalent to '*CLS'.

<WHITE SPACE> is defined as character codes 00H to 20H inclusive with the exception of the NL character (0AH).

The high bit of all characters is ignored.

The commands are case insensitive.

Command List

This section lists all commands and queries implemented in this family of instruments. To maintain command compatibility within the XEL family and also with the XDL programmable power supplies, output-specific commands always require the number of the output to be included in the command, even though these instruments only have a single output, e.g. V1 120 to set the output to 120Volts. The few commands applicable to dual output instruments in the XEL family are listed for completeness but will be ignored in this instrument.

Note that there are no dependent parameters, coupled parameters, overlapping commands, expression program data elements or compound command program headers; each command is completely executed before the next command is started. All commands are sequential and the operation complete message is generated immediately after execution in all cases.

The following nomenclature is used:

<rmt>	<RESPONSE MESSAGE TERMINATOR>
<nrf>	A number in any format. e.g. 12, 12·00, 1·2 e1 and 120 e-1 are all accepted as the number 12. Any number, when received, is converted to the required precision consistent with the use then rounded to obtain the value of the command.
<nr1>	A number with no fractional part, i.e. an integer.
<nr2>	A number in fixed point format e.g. 11·52, 0·78 etc.
<n>	The number of the output (1 or 2) or associated status register to which the command relates. On dual output supplies, '1' is the Master (right-hand output) and '2' is the Slave (left-hand output). On single output supplies <n> is always 1.

The commands which begin with a * are implemented as specified by IEEE Std 488.2 as Common commands. All will function when used on the other interfaces but some may be of little use.

Instrument Specific Commands

For commands specified as 'WITH VERIFY' the operation is completed when the parameter being adjusted reaches the required value to within $\pm 5\%$ or ± 10 counts, whichever is the greater. If the value fails to settle within these limits within 5 seconds then the Verify Timeout bit (bit 3) is set in the Standard Event Status Register and the operation is completed at the end of the timeout period.

The Operation Complete bit (bit 0) in the Standard Event Status Register is only ever set by the *OPC command. The *OPC (or the *OPC?) command can be used for device synchronization due to the sequential nature of remote operations.

V<n> <nrf>	Set output <n> to <nrf> Volts
V<n>V <nrf>	Set output <n> to <nrf> Volts with verify
OVP<n> <nrf>	Set output <n> over voltage protection trip point to <nrf> Volts
I<n> <nrf>	Set output <n> current limit to <nrf> Amps
OCP<n> <nrf>	Set output <n> over current protection trip point to <nrf> Amps
V<n>?	Returns the set voltage of output <n> The response is V <n> <nr2><rmt> where <nr2> is in Volts
I<n>?	Returns the set current limit of output <n> The response is I <n> <nr2><rmt> where <nr2> is in Amps
OVP<n>?	Returns the voltage trip setting for output <n> The response is VP<n> <nr2><rmt> where <nr2> is in Volts
OCP<n>?	Returns the current trip setting for output <n> The response is CP<n> <nr2><rmt> where <nr2> is in Amps

V<n>O?	Returns the output readback voltage for output <n> The response is <nr2>V<rmt> where <nr2> is in Volts
I<n>O?	Returns the output readback current for output <n> The response is <nr2>A<rmt> where <nr2> is in Amps
IRANGE<n> <nrf>	Sets the current range of output <n> to <nrf>, where <nrf> is 1 for Low range, 2 for High range. Output must be switched off before changing range.
IRANGE<n>?	Report the current range for output <n>. The response is <nr1><rmt>, where <nr1> is 1 for Low range, 2 for High range.
DELTA V<n> <nrf>	Set the output <n> voltage step size to <nrf> Volts
DELTA I<n> <nrf>	Set the output <n> current step size to <nrf> Amps
DELTA V<n>?	Returns the output <n> voltage step size The response is DELTA V<n> <nr2><rmt> where <nr2> is in Volts.
DELTA I<n>?	Returns the output <n> current step size The response is DELTA I<n> <nr2><rmt> where <nr2> is in Amps.
INCV<n>	Increment the output <n> voltage by the step size set for output <n>
INCV<n>V	Increment the output <n> voltage by the step size set for output <n> and verify.
DECV<n>	Decrement the output <n> voltage by the step size set for output <n>
DECV<n>V	Decrement the output <n> voltage by the step size set for output <n> and verify
INCI<n>	Increment the output <n> current limit by the step size set for output <n>
DECI<n>	decrement the output <n> current limit by the step size set for output <n>
OP<n> <nrf>	set output <n> on/off where <nrf> has the following meaning: 0=OFF, 1=ON
OPALL <nrf>	Simultaneously sets all outputs on/off where <nrf> has the following meaning: 0=ALL OFF, 1=ALL ON. Action on this instrument is the same as OP<n> <nrf>. If OPALL sets all outputs ON then any that were already on will remain ON If OPALL sets all outputs OFF then any that were already off will remain OFF
OP<n>?	Returns output <n> on/off status. The response is <nr1><rmt> where 1 = ON, 0 = OFF.
TRIPRST	Attempt to clear all trip conditions.
LOCAL	Go to local. This does not release any active interface lock so that the lock remains with the selected interface when the next remote command is received.
IFLOCK	Request interface lock. This command requests exclusive access control of the instrument. The response is 1 if successful or -1 if the lock is unavailable either because it is already in use or the user has disabled this interface from taking control using the web interface
IFLOCK?	Query the status of the interface lock. The return value is 1 if the lock is owned by the requesting interfaced instance; 0 if there is no active lock or -1 if the lock is unavailable either because it is already in use, or the user has disabled this interface from taking control using the web interface.
IFUNLOCK	Release the lock if possible. This command returns the value 0 if successful. If this command is unsuccessful -1 is returned, 200 is placed in the Execution Register and bit 4 of the Event Status Register is set indicating that there is no authority to release the lock.

LSR<n>?	Query and clear Limit Event Status Register <n>. The response is <nr1><rmt>. See Status Reporting section for details.
LSE<n> <nrf>	Set the value of LSE<n>, Limit Event Status Enable Register <n>, to <nrf>
LSE<n>?	Return the value of LSE<n>, Limit Event Status Enable Register <n> - response is <nr1><rmt>
SAV<n> <nrf>	Save the current set-up of output <n> to the set-up store specified by <nrf> where <nrf> can be 0-9.
RCL<n> <nrf>	Recall a set up for output <n> from the set-up store specified by <nrf> where <nrf> can be 0-9.
RATIO <nrf>	Set the ratio of output 2 (slave) to output 1 (master) in tracking mode to <nrf>, where <nrf> is the ratio in percent (0 to 100). No action on this instrument.
RATIO?	Query the ratio of output 2 (slave) to output 1 (master) in tracking mode. The response is <nrf>, where <nrf> is the ratio in percent (0 to 100). No action on this instrument.

System and Status Commands

*CLS	Clear Status. Clears the Status structure. This indirectly clears the Status Byte Register.
EER?	Query and clear Execution Error Register. The response format is nr1<rmt>.
*ESE <nrf>	Set the Standard Event Status Enable Register to the value of <nrf>
*ESE?	Returns the value in the Standard Event Status Enable Register in <nr1> numeric format. The syntax of the response is <nr1><rmt>
*ESR?	Returns the value in the Standard Event Status Register in <nr1> numeric format. The register is then cleared. The response is <nr1><rmt>. See Status Reporting section for details.
*IST?	Returns ist local message as defined by IEEE Std. 488.2. The syntax of the response is 0<rmt>, if the local message is false, or 1<rmt>, if the local message is true.
*OPC	Sets the Operation Complete bit (bit 0) in the Standard Event Status Register. This will happen immediately the command is executed because of the sequential nature of all operations.
*OPC?	Query Operation Complete status. The response is always 1<rmt> and will be available immediately the command is executed because all commands are sequential.
*PRE <nrf>	Set the Parallel Poll Enable Register to the value <nrf>.
*PRE?	Returns the value in the Parallel Poll Enable Register in <nr1> numeric format. The syntax of the response is <nr1><rmt>
QER?	Query and clear Query Error Register. The response format is nr1<rmt>
*RST	Resets the instrument to the remote control default settings with the exception of all remote interface settings, stored set-ups, Vmin/Vmax values and Output state at power-on setting (see Remote Operation Defaults paragraph in the Remote Interface Operation section)
*SRE <nrf>	Set the Service Request Enable Register to <nrf>.
*SRE?	Returns the value of the Service Request Enable Register in <nr1> numeric format. The syntax of the response is <nr1><rmt>
*STB?	Returns the value of the Status Byte Register in <nr1> numeric format. The syntax of the response is <nr1><rmt>
*WAI	Wait for Operation Complete true. As all commands are completely executed before the next is started this command takes no additional action.

Miscellaneous Commands

*IDN?	Returns the instrument identification. The exact response is determined by the instrument configuration and is of the form <NAME>,<model>,<Serial No.>,<version><rmt> where <NAME> is the manufacturer's name, <model> defines the type of instrument, Serial No. is the unique serial number and <version> is the revision level of the software installed. The format of <version> is X.xx – Y.yy where X.xx is the revision of the main instrument firmware and Y.yy is the revision of the Interface board firmware. The Interface firmware is field updateable by the user via the USB port.
ADDRESS?	Returns the bus address of the instrument; This is the address used by GPIB, if fitted, or may be used as a general identifier over the other interfaces.
CONFIG?	Reports the operating mode set by the front panel MODE switch. The syntax of the response is <nr1><rmt>, where <nr1> is 1 for single channel units and dual units operating in parallel mode, 2 for dual units with both channels operating independently and 0 for dual units in tracking mode.
DAMPING<n> <nrf>	Set the current meter measurement averaging (I_{AVG}) of output <n> where <nrf> has the following meaning: 0 = OFF, 1 = ON.
NOLANOK <nrf>	Disables the LAN Err message for no LAN connection found at power on if <nrf> is 1 and enables the message if <nrf> is 0.
*TST?	The PSU has no self test capability and the response is always 0 <rmt>
*TRG	The PSU has no trigger capability. The command is accepted but performs no action.

Error Messages

Each error message has a number; only this number is reported via the remote control interfaces. Error message numbers are not displayed but are placed in the Execution Error Register where they can be read via the remote interfaces, see Status Reporting section.

Maintenance

The Manufacturers or their agents overseas will provide a repair service for any unit developing a fault. Where owners wish to undertake their own maintenance work, this should only be done by skilled personnel in conjunction with the service manual which may be purchased directly from the Manufacturers or their agents overseas.

Cleaning

If the instrument requires cleaning use a cloth that is only lightly dampened with water or a mild detergent.

WARNING! TO AVOID ELECTRIC SHOCK, OR DAMAGE TO THE INSTRUMENT, NEVER ALLOW WATER TO GET INSIDE THE CASE. TO AVOID DAMAGE TO THE CASE NEVER CLEAN WITH SOLVENTS.

Cet instrument est de Classe de sécurité 1 suivant la classification IEC et il a été construit pour satisfaire aux impératifs EN61010-1 (Impératifs de sécurité pour le matériel électrique en vue de mesure, commande et utilisation en laboratoire). Il s'agit d'un instrument d'installation Catégorie II devant être exploité depuis une alimentation monophasée habituelle.

Cet instrument a été soumis à des essais conformément à EN61010-1 et il a été fourni en tout état de sécurité. Ce manuel d'instructions contient des informations et avertissements qui doivent être suivis par l'utilisateur afin d'assurer un fonctionnement de toute sécurité et de conserver l'instrument dans un état de bonne sécurité.

Cet instrument a été conçu pour être utilisé en interne dans un environnement de pollution Degré 2, plage de températures 5°C à 40°C, 20% - 80% HR (sans condensation). Il peut être soumis de temps à autre à des températures comprises entre +5°C et -10°C sans dégradation de sa sécurité. Ne pas l'utiliser lorsqu'il y a de la condensation.

Toute utilisation de cet instrument de manière non spécifiée par ces instructions risque d'affecter la protection de sécurité conférée. Ne pas utiliser l'instrument à l'extérieur des tensions d'alimentation nominales ou de la gamme des conditions ambiantes spécifiées.

AVERTISSEMENT ! CET INSTRUMENT DOIT ETRE RELIE A LA TERRE

Toute interruption du conducteur de terre secteur à l'intérieur ou à l'extérieur de l'instrument rendra l'instrument dangereux. Il est absolument interdit d'effectuer une interruption à dessein. Ne pas utiliser de cordon de prolongation sans conducteur de protection, car ceci annulerait sa capacité de protection.

Lorsque l'instrument est relié à son alimentation, il est possible que les bornes soient sous tension et par suite, l'ouverture des couvercles ou la dépose de pièces (à l'exception de celles auxquelles on peut accéder manuellement) risque de mettre à découvert des pièces sous tension. Il faut débrancher toute source de tension éventuelle de l'appareil avant de l'ouvrir pour effectuer des réglages, remplacements, travaux d'entretien ou de réparations. Les condensateurs qui se trouvent dans le bloc d'alimentation risquent de rester chargés, même si le bloc d'alimentation a été déconnecté de toutes les sources de tension, mais ils se déchargeront en toute sécurité environ 1 minute après extinction de l'alimentation.

Eviter dans la mesure du possible d'effectuer des réglages, travaux de réparations ou d'entretien lorsque l'instrument ouvert est branché à une source d'alimentation, mais si c'est absolument nécessaire, seul un technicien compétent au courant des risques encourus doit effectuer ce genre de travaux.

S'il est évident que l'instrument est défectueux, qu'il a été soumis à des dégâts mécaniques, à une humidité excessive ou à une corrosion chimique, la protection de sécurité sera amoindrie et il faut retirer l'appareil, afin qu'il ne soit pas utilisé, et le renvoyer en vue de vérifications et de réparations.

Uniquement remplacer les fusibles par des fusibles d'intensité nominale requise et de type spécifié. Il est interdit d'utiliser des fusibles bricolés et de court-circuiter des porte-fusibles.

Eviter de mouiller l'instrument lors de son nettoyage.

Les symboles suivants se trouvent sur l'instrument, ainsi que dans ce manuel.



Attention : risque de danger. Veuillez consulter la documentation (ce manuel) pour trouver la nature du danger potentiel et toute action qui doit être prise.



Borne de terre (masse)



alimentation secteur OFF (éteinte)



alimentation secteur ON (allumée)



courant alternatif (c.a.)

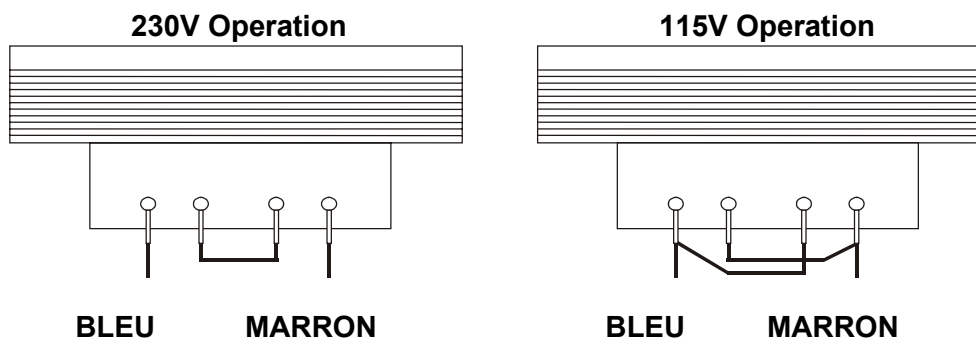


courant continu (c.c.)

Tension d'alimentation sur secteur

Vérifier que la tension d'alimentation à l'arrière de l'appareil correspond à celle du secteur. S'il s'avère nécessaire de changer de tension d'alimentation, procéder comme suit :

1. Assurez-vous que l'instrument est déconnecté du secteur.
2. Retirez les rivets-poussoirs en plastique de chaque côté du capot supérieur. Utilisez la lame d'un petit tournevis pour libérer d'abord la tête du rivet, puis dégager complètement le corps de la fixation. Retirez les deux vis du panneau arrière qui fixent le capot supérieur ; glissez le capot vers l'arrière et soulevez-le.
3. Modifiez les connexions du transformateur (des deux transformateurs sur le modèle double) conformément au schéma ci-dessous :



4. Remontez l'appareil dans l'ordre inverse. Pour se conformer aux prescriptions des normes de sécurité, la tension d'alimentation indiquée sur le panneau arrière doit être modifiée pour indiquer clairement le nouveau réglage de tension.

Fusible

Le fusible CA se trouve dans le compartiment à fusible dans la partie inférieure du connecteur d'entrée IEC.

Le type de fusible correct mesure 20 x 5 mm avec retardement HBC avec le classement suivant :

230V operation : 1.6A (T)

115V operation : 3.15A (T)

Remplacer les fusibles uniquement par des fusibles du courant nominal requis et du type spécifié. Il est interdit d'utiliser des fusibles bricolés et de court-circuiter les porte-fusibles.

Cordon secteur

Brancher l'appareil sur l'alimentation secteur à l'aide du cordon secteur fourni. S'il s'avère nécessaire d'utiliser une fiche secteur destinée à un autre type de prise murale, employer un cordon secteur correctement dimensionné et homologué en l'équipant de la fiche murale voulue et d'un connecteur IEC60320 C13 du côté de l'appareil. Pour déterminer l'intensité nominale minimale du cordon en fonction de l'alimentation sur secteur prévue, consulter les caractéristiques de puissance nominale figurant sur le matériel ou dans le chapitre Spécifications.

AVERTISSEMENT ! CET APPAREIL DOIT ETRE RELIÉ À LA TERRE.

Toute interruption du conducteur de terre de la prise secteur à l'intérieur ou à l'extérieur de l'appareil rendra ce dernier dangereux. Il est interdit d'effectuer une coupure intentionnelle.

Montage

Cet appareil convient à la fois à l'utilisation sur établi et au montage en baie. Un kit de montage en baie pour une baie de 19 pouces est disponible auprès du Fabricant ou de ses agents à l'étranger.

Ventilation

Le module d'alimentation est refroidi par un ventilateur intelligent multi-vitesses qui favorise la convection verticale. Veillez à ne pas obturer les prises d'air sous l'appareil ni les orifices de ventilation sur le dessus. En cas de montage en rack, laisser un espace adéquat au-dessus et au-dessous de l'appareil et/ou utiliser un bloc ventilateur pour un refroidissement forcé.

Connexions du panneau avant

La charge devra être connectée aux bornes positive (rouge) et négative (noire) marquées OUTPUT (sortie). Les deux sont entièrement flottantes et l'une ou l'autre peuvent être connectées à la masse.

Les connexions de détection à distance sur la charge, si nécessaire, sont réalisées à partir des bornes positive (+) et négative (-) SENSE (détection). Placez le commutateur LOCAL/DISTANT sur REMOTE (DISTANT) lorsque la détection distante est requise. Remplacez-le sur LOCAL lorsque la détection à distance n'est pas utilisée.




Avertissement ! Les tensions supérieures à 70 Vcc sont dangereuses sous tension selon la norme EN 61010-1 et le plus grand soin doit être pris lors de l'utilisation de tensions supérieures à ce niveau.

Les bornes d'attache de sécurité universelles utilisées pour la sortie satisfont aux conditions d'isolation renforcée pour des tensions supérieures à 250 Vcc, car les lignes de fuite et la distance d'isolement jusqu'aux contacts de la borne sont >2,5 mm, même lorsque la borne est totalement ouverte. Toutefois, il est vivement recommandé de serrer les bornes d'attache à fond et de **n'effectuer les connexions qu'à l'aide de fils munis de bouchons de sécurité à protection fixe de 4 mm.**

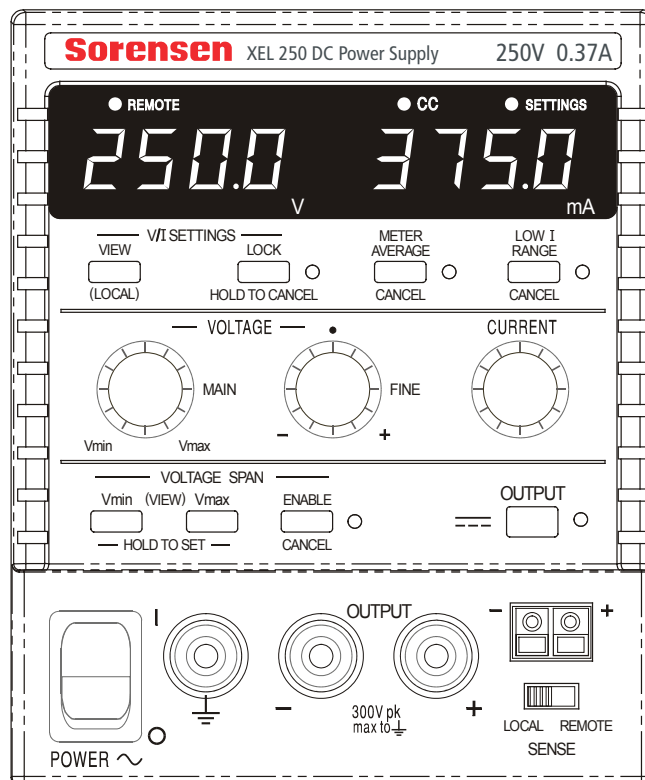
Les connexions vers chaque terminal Sense sont réalisées en insérant l'extrémité à rayures du fil de raccordement Sense dans le contact pendant que le bouton à ressort est enfoncé, puis en relâchant le bouton pour retenir le fil. Assurez-vous que l'extrémité exposée du fil est entièrement insérée et inaccessible au toucher.



OUTPUT (sortie) doit toujours être hors tension lors de la connexion à l'instrument.

La borne marquée  est connectée au châssis et à la borne de mise à la terre.

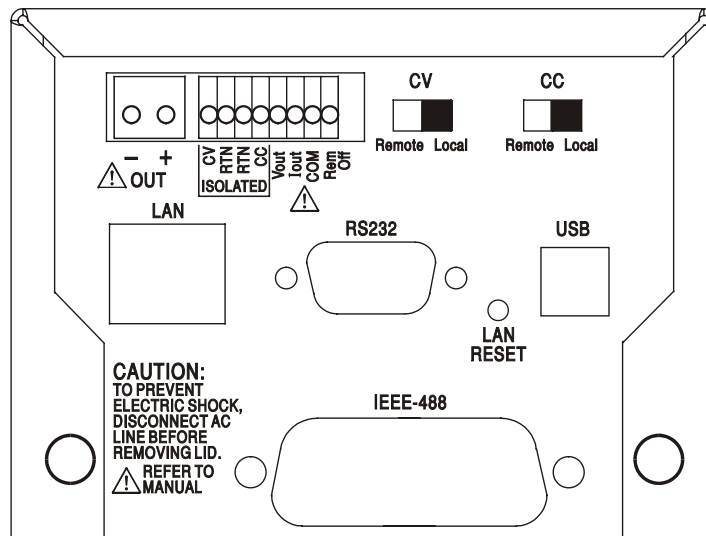
AFFICHER LE
PANNEAU FRONTAL



Connexions du panneau arrière (modèles programmables uniquement)

Les modèles non programmables n'ont pas de connexions au niveau du panneau arrière.

Les unités programmables des connexions du panneau arrière sont présentées ci-dessous :



Terminaux de sortie

Les terminaux de sortie sont répétés sur le panneau arrière du répartiteur ; des restrictions d'espace limitent les marques à + et - dans le groupe marqué OUT (Sortie). Ces connexions sont mises en parallèle avec leurs équivalents de panneau avant.

Les connexions Sense à distance ne sont pas disponibles sur le panneau arrière ; si une application nécessite une détection à distance, les terminaux Sense avant peuvent alors être utilisés.

Positionnez l'interrupteur LOCAL/REMOTE sur REMOTE (DISTANT) lorsque la détection à distance est requise. Lorsque les terminaux de sortie du panneau arrière sont utilisés, l'utilisation de la détection à distance est toujours recommandée afin de s'assurer que la régulation de sortie reste dans le cadre des spécifications. Revenez en position LOCAL lorsque la détection à distance n'est pas utilisée.

Commande Distante Analogique

Les connexions CV et CC fournissent une commande analogique de la Tension de sortie et de la Limite de courant lorsque les interrupteurs à glissière CV et CC sont positionnés sur Distant. Ces entrées et leur signal de retour commun sont isolés de la sortie ; la cote d'isolation par rapport à la sortie est de 300 V max. La graduation d'entrée peut être définie de manière indépendante, par des liens internes, de 0 à 5 Volts (le réglage d'usine par défaut) ou 0 à 10 Volts pour 0 à 100 % de la sortie maximale. L'entrée maximale admissible est 60 V. Le CV et CC peuvent être utilisés indépendamment l'un de l'autre ou ensemble.

Remettez les interrupteurs à glissière CV et CC sur Local lorsque la commande distante analogique n'est pas utilisée.

Sortie Analogique

Les connexions V_{OUT} et I_{OUT} fournissent des sorties analogiques graduées respectivement pour la tension de sortie définie et la limite de courant définie. La graduation est fixée sur 0 à 5 Volts pour 0 à 100% de la sortie maximale. V_{OUT} et I_{OUT} sont toujours présentes sur les terminaux, que l'instrument soit sous commande locale ou distante.



Avertissement ! COM fait référence au circuit de commande de sortie et se trouve dans une marge de 1 V du potentiel de sortie positive. V_{OUT} et I_{OUT} sont présents en permanence sur les terminaux.



N'appliquez pas de tensions externes sur ces terminaux.

Distant Marche/Arrêt

Une fermeture du commutateur ou un bas logique entre les connexions Rem off et COM éteindra la sortie.



Avertissement ! COM fait référence au circuit de commande de sortie et se trouve dans une marge de 1 V du potentiel de sortie positive.



N'appliquez pas de tensions externes sur ces terminaux.

RS232

Connecteur-D femelle à 9-broches avec les connexions de broche indiquées ci-dessous. Il peut être connecté au port d'un PC standard à l'aide d'un câble mâle-femelle 1:1 entièrement câblé sans crossover de connexions.

Broche	Nom	Description
1	RI	Assertion passive (+V à travers 10k Ω)
2	TXD	Données transmises depuis un instrument
3	RXD	Données reçues dans l'instrument
4	CTS	
5	GND	Terre de signal
6	RTS	Assertion passive (+V à travers 10k Ω)
7	DSR	Pas de connexion interne
8	DTR	
9	CD	Pas de connexion interne

La terre de signal est connectée à l'instrument au sol.

USB

Le port USB est connecté à l'instrument au sol. Il se conforme à USB 2.0 (full speed) et accepte un câble USB standard. Les fonctions plug-and-play de Windows doivent reconnaître automatiquement que l'instrument a été connecté. Si le pilote adéquat est introuvable, suivez les invites à l'écran de Windows et installez les fichiers requis à partir du CD fourni.

LAN

L'interface LAN est conçue pour se conformer à LXI (eXtensions Lan pour l'Instrumentation) version 1.2 ; l'instrument est compatible avec la Class C. La commande distante utilisant l'interface LAN est possible grâce à l'utilisation du protocole TCP/IP Sockets. L'instrument contient également un serveur web de base qui fournit des informations sur l'unité et permet sa configuration. Dans la mesure où il est possible de faire des erreurs de configuration sur l'interface LAN, ce qui l'empêcherait de communiquer avec l'instrument sur LAN, un mécanisme d'Initialisation de la Configuration LAN (LCI) est fournie via un interrupteur encastré sur le panneau arrière (marqué REINIT LAN) pour réinitialiser le réglage d'usine par défaut.

D'autres détails sont donnés dans le chapitre Utilisation Distante. Pour plus d'informations sur les normes LXI, veuillez consulter www.lxistandard.org/home

GPIB (option d'usine sur les modèles programmables uniquement)

Les terres de signal GPIB sont connectées à l'instrument au sol. Les sous-ensembles implémentés sont les suivants :

SH1 AH1 T6 TE0 L4 LE0 SR1 RL2 PP1 DC1 DT0 C0 E2

L'adresse GPIB est définie depuis le panneau avant.

Fonctionnement manuel

Dans ce operating manuel, les touches du panneau avant, les commandes et les prises sont indiquées en majuscules, par exemple CURRENT, OUTPUT, LOCK. Les messages affichés sur les voyants DEL à 7 segments sont affichés dans une police différente, par exemple **turn OFF**, **OTP trip**. Les fonctions supplémentaires du double instrument en mode quad sont décrites ensemble à la fin de ce chapitre.

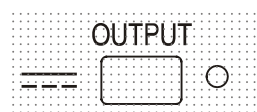
Conditions de mise en marche et de mise sous tension


L'interrupteur d'alimentation (POWER) se trouve en bas à gauche du panneau avant. Lorsque l'interrupteur d'alimentation est activé (I) le mètre de droite indique brièvement le numéro de version du microprogramme avant d'afficher les Volts et Ampères.

Pour les modèles XEL-P programmables, la sequence d'affichage par défaut à l'allumage est différente : le mètre de droite indique brièvement la révision du progiciel de l'instrument suivie par la révision du progiciel de l'interface (IF s'affiche sur le mètre de gauche) avant que l'écran n'affiche les Volts et Ampères. Si, après quelques secondes, aucune connexion au LAN physique n'est détectée, l'écran de l'appareil clignotera entre la tension normale et les valeurs en cours et le message **LAN Err**, apparaîtra pendant les 10 secondes suivantes. L'indication qu'aucune connexion LAN à l'allumage n'est disponible est une exigence de conformité LXI essentielle mais elle peut être désactivée par la commande 'NOLANOK 1' sur toute interface - voir le paragraphe Erreur LAN dans la section Fonctionnement de l'Interface Distante, pour plus de détails. Cette modification des paramètres d'allumage est conservée jusqu'à ce qu'elle soit annulée par une commande 'NOLANOK 0' ou par l'utilisation de l'interrupteur LAN RESET du panneau arrière afin de restaurer les paramètres LAN d'usine – voir le paragraphe LAN dans la section Fonctionnement de l'Interface Distante.

Notez que les messages de l'écran n'affectent pas le fonctionnement de l'alimentation électrique elle-même.

A la mise sous tension, le réglage par défaut en usine est desactive. Les tensions de sortie de courant prédéfinies seront déterminées par les réglages de commande actuels et indiqués dans l'écran. Tous les autres paramètres seront les mêmes que lors du dernier arrêt de l'appareil.




L'état de sortie dc à la mise sous tension peut être défini de manière à être « always off » (toujours désactivé) ou « same as at last power off » (le même qu'à la dernière mise hors tension). Le paramètre peut être modifié comme suit. Tout en maintenant enfoncée la touche VIEW (Afficher), appuyez sur la touche OUTPUT (sortie)  et maintenez-la enfoncée ; l'écran affiche d'abord le paramètre actuel pendant 1 seconde (**OP OFF** si le paramètre par défaut en usine est toujours sélectionné) avant de faire clignoter le nouveau paramètre pendant 2 secondes (**LAST Set** dans ce cas). Au bout de 2 secondes, le nouveau paramètre reste affiché en permanence à l'écran et le changement est mis en oeuvre ; relâchez les touches OUTPUT et VIEW.

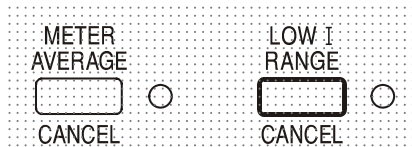
La répétition de cette opération rétablira le paramètre précédent.

Contrôle de la sortie

Configuration de la sortie

Une fois l'alimentation activée et la  sortie désactivée, la tension de sortie et la limite de courant peuvent être prédéfinies de manière précises à l'aide des commandes VOLTAGE et CURRENT ; le lecteur de gauche indique la tension définie, alors que celui de droite affiche le courant maximum défini et que l'indicateur SETTINGS (paramètres) est allumé.

Lorsque le commutateur de sortie est désactivé, l'indicateur OUTPUT s'allume ; le lecteur de gauche indique maintenant la tension réelle et celui de droite affiche le courant de charge réel.



La limite supérieure de la commande CURRENT peut alterner entre le maximum pour ce modèle et 75mA avec des pressions alternatives sur la touche LOW I RANGE afin d'affiner le réglage de la limite de courant et de la résolution de mesure (de 0,01mA à 75mA) ; l'indicateur placé à côté de la touche s'allume lorsque le bas de gamme est sélectionnée.

Pour changer la plage limite de courant, il faut désactiver la sortie ; si la sortie est activée, le message d'avertissement **turn OFF** apparaît brièvement à l'écran, l'indicateur OUTPUT clignote et la plage reste inchangée.

Tension continue

La tension de sortie est ajustée à l'aide des commandes VOLTAGE principale et affinée ; la commande CURRENT définit le courant maximum qui peut être fourni.

Courant continu

Si la résistance à la charge est suffisamment basse pour qu'à la tension de sortie définie, un courant supérieur au paramètre limite puisse circuler, le module d'alimentation passe automatiquement en fonctionnement de courant continu. La sortie de courant est ajustée par la commande CURRENT et les commandes VOLTAGE permettent de régler la tension maximale pouvant être générée.

L'indicateur CC s'allume pour indiquer le mode de courant continu.

Sortie d'intensité instantanée

La commande de limite d'intensité peut être réglée pour limiter l'intensité de sortie continue à des niveaux descendant jusqu'à 0,1mA (0,01mA sur une plage de 75mA). Cependant, communément à tous les générateurs de précision d'établi, un condensateur est connecté sur la sortie pour conserver la stabilité et une bonne réponse aux défauts transitoires. Ce condensateur se charge sur la tension de sortie et le chargement de la sortie produira une impulsion d'intensité à la décharge du condensateur, ce qui ne dépend pas du réglage de limite d'intensité.

Moyenne actuelle du mètre



Pour réduire les sautilllements avec des courants de charge variant rapidement, il est possible de sélectionner une constante d'une durée de 2 secondes en appuyant sur la touche METER AVERAGE ; l'indicateur situé à côté de la touche s'allume lorsque la moyenne du mètre est sélectionnée.

Appuyez de nouveau sur la touche pour CANCEL (annuler) la moyenne du mètre et revenir à la constante de temps standard de 20 ms.

Connexion à la charge

La charge devra être connectée aux bornes OUTPUT positive (rouge) et négative (noire). Les deux sont entièrement flottantes et l'une ou l'autre peuvent être connectées à la masse.



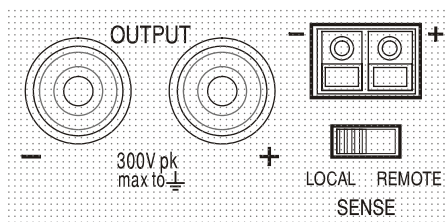
Avertissement ! Les tensions supérieures à 70 Vcc sont dangereuses sous tension selon la norme EN 61010-1 et le plus grand soin doit être pris lors de l'utilisation de tensions supérieures à ce niveau.

Il est vivement recommandé de n'effectuer de connexions qu'à l'aide de fils munis de bouchons de sécurité à protection fixe de 4 mm. S'assurer que le circuit sur lequel sont effectuées les connexions est correctement isolé ; aucune des pièces accessibles du circuit externe ne devrait être dangereuse lorsque l'appareil est sous tension dans des conditions normales ou lorsqu'une seule faute est détectée, conformément à la norme EN61010-1.

OUTPUT (sortie) doit toujours être hors tension lors de la connexion à l'instrument.

Détection à distance

L'utilisation d'une détection à distance est rarement nécessaire, car le courant de sortie maximum de l'instrument est faible. Toutefois, même à de faibles courants, la résistance des fils connecteurs peut entraîner des différences entre la tension de source indiquée et la tension de charge réelle (deux fils de raccordement de 200 mΩ chuteront de 0,2 V à 500 mA, par exemple).



Ce problème peut être minimisé en utilisant des fils de raccordement courts et épais, mais lorsque cela s'avère nécessaire, on peut le surmonter complètement en utilisant la fonction de détection à distance. Ceci nécessite de connecter les bornes de détection à la sortie sur la charge plutôt que sur la source ; insérer les fils dans les bornes à ressort SENSE (détection) et les connecter directement à la charge. Basculez le commutateur LOCAL/REMOTE sur REMOTE.



Avertissement ! Les tensions supérieures à 70 Vcc sont dangereuses sous tension selon la norme EN 61010-1 et le plus grand soin doit être pris lors de l'utilisation de tensions supérieures à ce niveau.

Assurez-vous que l'extrémité exposée du fil est entièrement insérée et inaccessible au toucher.

OUTPUT (sortie) doit toujours être hors tension lors de la connexion à l'instrument.

S'assurer que le circuit sur lequel sont effectuées les connexions est correctement isolé ; aucune des pièces accessibles du circuit externe ne devrait être dangereuse lorsque l'appareil est sous tension dans des conditions normales ou lorsqu'une seule faute est détectée, conformément à la norme EN61010-1.

Pour éviter les problèmes d'instabilité et de réponse transitoire, il convient d'assurer un bon couplage entre chaque fil de sortie et de détection. Pour ce faire, on peut torsader les fils ensemble ou utiliser des câbles à protection coaxiale (détection par le fil interne). Un condensateur électrolytique avec une tension nominale appropriée directement au-dessus du point de la borne côté charge peut également être bénéfique. La chute de tension dans chaque fil de sortie ne doit pas dépasser 0,5 Volt.

Remplacez le commutateur LOCAL/REMOTE sur LOCAL lorsque la détection à distance n'est pas utilisée.

Connexion de sortie et détection à distance sur les modèles programmables

Tous les modèles programmables sont équipés de terminaux de Sortie et de Détection en double sur le panneau arrière, pratiques lorsque les instruments sont utilisés dans une armoire. Si une détection à distance est nécessaire, les terminaux Sense avant peuvent être utilisés. Connectez les terminaux de Détection à la charge en suivant les directives ci-dessus, et réglez le commutateur LOCAL/REMOTE (LOCAL/DISTANT) sur REMOTE (DISTANT).

Si les terminaux de Sortie du panneau arrière sont utilisés dans détection à distance, veillez à ce que le commutateur du panneau avant soit réglé sur LOCAL.

Connexion en Série ou en Parallèle avec d'Autres Sorties

Les sorties du générateur sont entièrement flottantes et peuvent être utilisées en série avec d'autres générateurs pour produire des tensions hautes CC allant jusqu'à 300 V CC.



La tension maximale admise entre toute borne et la terre (\perp) est de 300 VCC



Avertissement ! Les tensions supérieures à 70 Vcc sont dangereuses sous tension selon la norme EN 61010-1 et le plus grand soin doit être pris lors de l'utilisation de tensions supérieures à ce niveau.

OUTPUT (sortie) doit toujours être hors tension lors de la connexion à l'instrument.

Il convient de noter que le générateur ne peut que produire du courant et non en absorber, ainsi les générateurs ne peuvent être connectés en série en anti-phase.

L'appareil peut être connecté en parallèle avec d'autres pour produire des courants plus forts. Lorsque plusieurs appareils sont connectés en parallèle, la tension de sortie sera égale à celle du générateur ayant le plus grand réglage de sortie, jusqu'à ce que le courant consommé dépasse son réglage de limite d'intensité, moment auquel la sortie tombera au réglage le plus élevé suivant, et ainsi de suite. En mode d'intensité constante, les appareils peuvent être connectés en parallèle pour fournir une intensité égale à la somme des réglages de limite d'intensité.

Protection

La sortie dispose d'une protection intrinsèque contre les court-circuits et est protégée contre les tensions inverses par une diode ; le courant continu inverse ne doit pas dépasser 3 ampères, même si les pointes transitoires peuvent être nettement plus élevées. Si la tension inverse appliquée peut produire plus de courant que la limite définie et que la sortie est activée, la sortie passera au niveau limite du courant (l'indicateur CC clignotera) et son affichage présentera la tension inverse sur la diode de protection ; si la sortie est désactivée, seul l'indicateur CC clignotera.

Comme tous les modules d'alimentation à terminaison unique et régulés en série, l'unité ne peut pas collecter le courant provenant d'une source externe. Si une tension supérieure à la tension de sortie définie de l'unité est appliquée à partir d'une source externe, le régulateur interne se désactivera et aucun courant ne circulera ; si la sortie est activée, le lecteur de tension lira la tension appliquée. Cela ne produira aucun dommage à condition que la tension appliquée ne dépasse pas la tension de sortie maximale du module d'alimentation de plus de 20 Volts.

La sortie (OUTPUT) étant désactivée, la charge reste connectée à la phase de sortie du module d'alimentation ; la tension de sortie est simplement définie sur zéro. Ne pas appliquer aux bornes du module d'alimentation de tensions externes dépassant de plus de 20 V la tension de sortie nominale, même lorsque la sortie est désactivée, car cela pourrait endommager l'appareil.

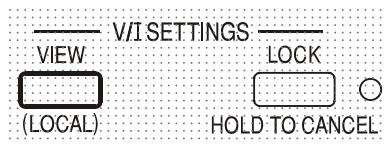
Protection contre les dépassements de température

Un capteur interne détecte les dépassements de température liés à une obturation du flux d'air, une défaillance du ventilateur ou une autre défaillance d'un circuit. Un dépassement de température désactive la sortie, l'indicateur OUTPUT clignote et l'écran affiche le message `OTP trip`. Une fois que la cause du dépassement de température a été éliminée et que l'instrument est refroidi, l'indicateur de sortie s'éteint, mais le message `OTP trip` reste présent.

Une pression sur la touche OUTPUT modifie l'affichage et indique la tension et le courant prédéfinis (l'indicateur SETTINGS s'allume), mais la sortie reste désactivée ; une deuxième pression active normalement la sortie.

En cas de pression sur la touche OUTPUT pendant que l'instrument est toujours en dépassement de température (l'indicateur OUTPUT clignote), le message `oTP triP` est remplacé par la tension et le courant prédéfinis (l'indicateur SETTINGS s'allume), mais la sortie reste désactivée ; chaque pression suivante sur la touche OUTPUT fait apparaître brièvement le message `oTP triP` mais la sortie reste désactivée jusqu'à ce que la condition de dépassement de température soit terminée.

Affichage des paramètres



Les limites de tension et de courant définies sont toujours affichées lorsque la sortie est désactivée, mais peuvent aussi être lues après une pression sur la touche VIEW ; l'indicateur SETTINGS s'allume en cas de pression sur la touche VIEW.

Verrouillage des paramètres

Une pression sur la touche LOCK verrouille numériquement la limite de tension et de courant définie. Les paramètres sont stockés avec une précision supérieure à 1 chiffre. Les ajustements suivants des commandes VOLTAGE et CURRENT seront sans effet.

Comme l'annulation de LOCK provoque un changement des paramètres de sortie si la position des commandes VOLTAGE et CURRENT a été modifiée, des rappels d'avertissement sont donnés avant l'annulation du LOCK.

Appuyer et maintenir la touche enfoncée pour annuler LOCK.

Si la sortie est désactivée (l'état sûr), l'écran fait clignoter les paramètres « non verrouillés » deux fois avant l'application du changement ; l'indicateur LOCK s'éteint.



Si la sortie est toujours activée, le message `OP on` (sortie activée) clignote deux fois à l'écran, suivi par le clignotement des nouveaux paramètres « non verrouillés » pendant 2 à 3 secondes (un clignotement lent, puis plus rapide), avant que le changement ne soit finalement appliqué, l'indicateur LOCK s'éteint une fois le changement effectué.

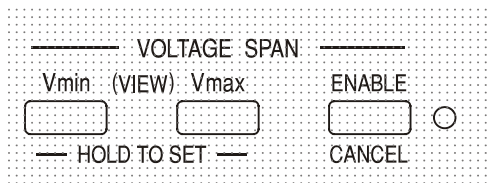
Le relâchement de la touche LOCK à tout moment pendant que l'écran clignote interrompra l'annulation du LOCK.

Une tentative de changement de la plage limite de courant (voir la section Configuration de la Sortie) ou des limites extrêmes de la tension (voir la section Écart de tension) avec LOCK activé n'est pas admise ; si une telle tentative est faite, le message `UnLoc` apparaît brièvement et l'indicateur LOCK clignote également. Si la sortie est également activée lorsque ces actions sont tentées, le message `turn OFF` apparaît en premier lieu à l'écran (accompagné de l'indicateur de sortie qui clignote), suivi du message `UnLoc` (avec l'indicateur LOCK clignotant).

Le statut LOCK au démarrage est le même qu'à la dernière mise hors tension.

Utilisation de l'écart de tension

La fonction VOLTAGE SPAN (**V-Span**) (écart de tension) permet à l'utilisateur de redéfinir les valeurs d'extrémité des commandes VOLTAGE de telle manière que les commandes fonctionnent dans une plage de tension spécifique, plus étroite. Cela présente non seulement l'avantage de se protéger contre l'application accidentelle de la charge des tensions en dehors de la plage, mais fournit également un contrôle analogique haute résolution sur la plage de tension spécifiée en utilisant l'intégralité de la rotation à 300 ° des commandes de tension.



V-Span est activé ou désactivé à l'aide de la touche ENABLE. L'indicateur ENABLE est allumé lorsque V-Span est sélectionné. La valeur d'usine par défaut est $V_{min} = 3V$, $V_{max} = 5V$

Dans la mesure où l'activation de V-Span modifiera toujours la tension de sortie, cette option ne peut être activée ou annulée que si la sortie est désactivée ; toute tentative d'activation ou d'annulation de V-Span alors que la sortie est affichée provoque l'apparition rapide du message **turn OFF** invitant l'utilisateur à désactiver la sortie.

Pour définir de nouvelles valeurs pour V_{min} ou V_{max} la fonction V-Span doit être désactivée (annulée).

La limite inférieure de tension est définie à l'aide des commandes MAIN et FINE VOLTAGE qui permettent de choisir exactement la valeur requise ; la touche V_{min} est alors maintenue enfoncée jusqu'à ce que l'affichage de gauche (V) cesse de clignoter et que l'affichage de droite (mA) indique **Set**. Le paramètre peut être affiché à tout moment par une brève pression (<1 seconde) sur la touche V_{min} . La limite de tension supérieure est définie et affichée exactement de la même manière à l'aide des commandes VOLTAGE et de la touche V_{max} .

Les limites peuvent être réglées dans n'importe quel ordre et sur n'importe quelle valeur située dans la plage de sortie de l'instrument, mais V-Span peut uniquement être activé à l'aide de la touche ENABLE si $V_{max} \geq (V_{min} + 0,1V)$; si cette condition n'est pas remplie, le message **Set Err** apparaît brièvement et la fonction V-Span n'est pas mise en œuvre.

Lorsque V-Span est activé, la plage de la commande MAIN VOLTAGE est exactement de V_{min} à V_{max} quand la commande FINE est réglée à son point intermédiaire, marqué sur le panneau par un •. La commande FINE elle-même peut être utilisée pour régler plus précisément la valeur sur $\pm 1\%$ (de l'écart de tension). Notez toutefois que si le réglage de V_{max} est proche de 250 V, la commande FINE ne peut pas régler la tension au-dessus de 250,0 V.

Le statut V-Span au démarrage est le même qu'à la dernière mise hors tension.

Commande analogique distante (Modèles programmables simples uniquement)

La commande analogique distante de la tension et du courant de sortie est possible à l'aide de plusieurs tensions de commande externe appliquées respectivement entre les entrées CV ou CC et Return (RTN) du panneau arrière. Ces entrées sont isolées de la sortie ; la cote d'isolation par rapport à la sortie est de 300 V max. Les entrées sont protégées contre des tensions d'entrée excédentaires allant jusqu'à 60 V.

Les tensions de commande de sortie analogique V_{out} et I_{out} d'une unité agissant comme « maître » peuvent être utilisées pour contrôler une unité « esclave » via les entrées respectives CV et CC de l'esclave.

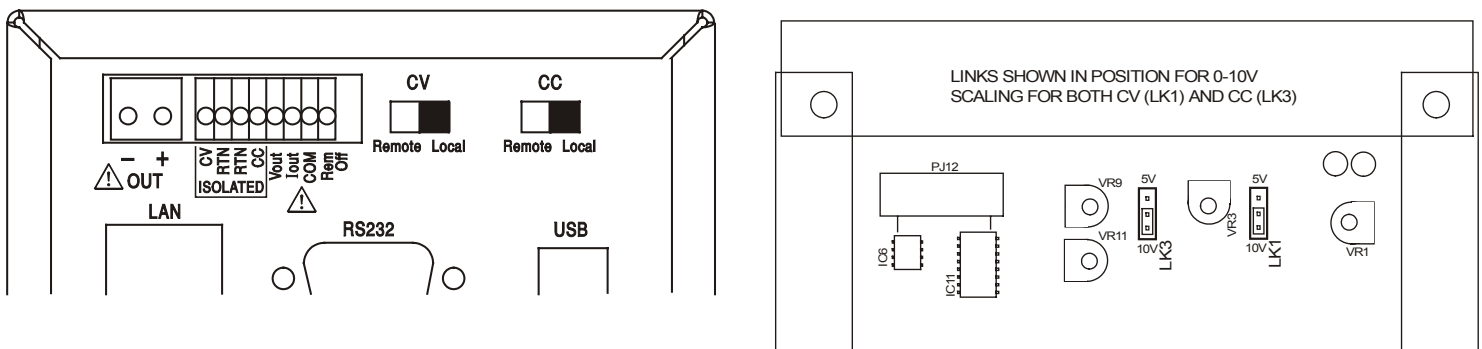
Commande de tension analogique

La commande de tension analogique distante est obtenue par le réglage du commutateur CV du panneau arrière du Remote (Distant) et en appliquant une tension de programmation entre les entrées CV et RTN.

Les commandes de VOLTAGE (TENSION) du panneau avant sont désactivées lorsque Remote est réglé sur le commutateur CV. Réglez le commutateur sur Local pour retourner à la commande sur le panneau avant.

La graduation de la tension d'entrée par défaut est de 0V à 5V pour 0 à 100% de la tension nominale de sortie. La graduation de la tension d'entrée peut être modifiée de 0 V à 10 V en changeant une barrette de court-circuit interne. Déconnectez l'instrument de la source CA et enlevez le cache comme décrit dans la section Installation. En vous référant à la vue du dessus de l'instrument illustré sur le schéma, déplacez la grande barrette de court-circuit en position LK1 vers le centre de la barrette et les broches '10 V', au lieu du centre et des broches '5 V'.

La CV distante peut être utilisée avec le CC Local ou Distant.



Commande de courant analogique

La commande de courant constant analogique distant est obtenue par le réglage de l'interrupteur CC du panneau arrière sur Remote (Distant), et par l'application d'une tension de programmation entre les entrées CC et RTN. La commande du courant analogique distant ne peut pas être utilisée sur la plage du courant faible.

La commande CURRENT (Courant) du panneau avant est désactivée lorsque le commutateur CC est positionné sur Remote (Distant). Positionnez le commutateur sur Local pour rendre la commande au panneau avant.

La graduation par défaut de la tension d'entrée est de 0V à 5V pour 0 à 100% du courant nominal maximal (intervalle élevé uniquement). La graduation de la tension d'entrée peut être modifiée de 0 V à 10 V en changeant une barrette de court-circuit interne. Déconnectez l'instrument de la source AC et enlevez le cache comme décrit dans la section Installation.

En vous référant à la vue du dessus de l'instrument illustré sur le schéma, déplacez la grande barrette de court-circuit en position LK3 vers le centre de la barrette et les broches '10 V', au lieu du centre et des broches '5 V'.

Le CC distant peut être utilisé avec la CV Locale ou Distante.



ATTENTION. N'appliquez pas de tensions de commande externes à l'entrée CV ou CC supérieures au maximum pour l'intervalle d'entrée défini (5V ou 10V). Les entrées sont protégées contre les tensions supérieures mais l'instrument tentera de fournir une tension ou un courant de sortie supérieur à son rating maximal si la tension de commande dépasse la limite d'intervalle, ce qui pourrait provoquer des dégâts. Si la situation persiste, OVP et/ou OCP peuvent déclencher la mise hors tension de la sortie, voir la prochaine section.

OVP et OCP

L'OVP (protection contre la surtension) et l'OCP (protection contre la surintensité) sont implémentées dans un firmware et ne peuvent être réglées et utilisées que sous la commande distante via les interfaces RS232, USB, LAN (LXI) ou GPIB. Les résolutions de paramétrage sont de 10mV de 1mA et les temps de réponse habituels sont de 500ms.

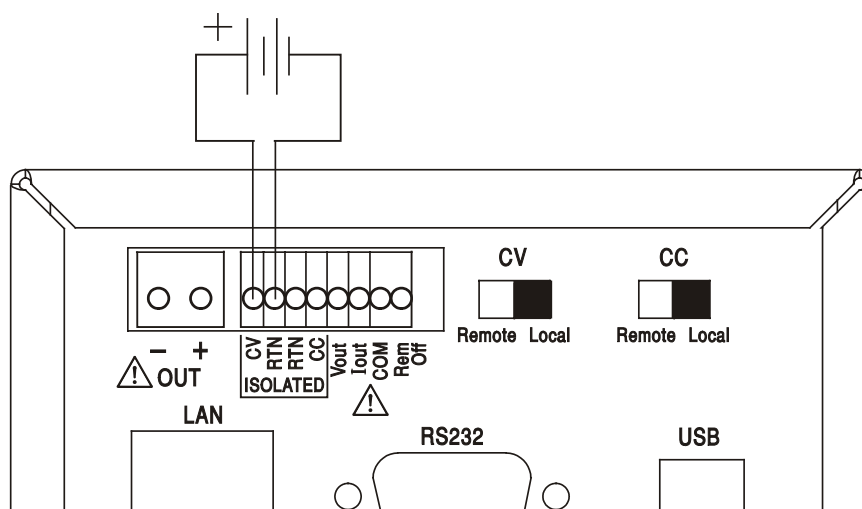
Cependant, en mode local, l'OVP et l'OCP sont encore actives mais se règlent automatiquement par défaut à 105% de l'intervalle maximal de l'instrument. Cela fournit une protection d'arrêt très utile en cas d'application prolongée d'une tension de commande de CV ou CC qui tente de définir la sortie au-delà de l'intervalle maximal de 105%.

Considérations pratiques liées à l'utilisation de CV et CC

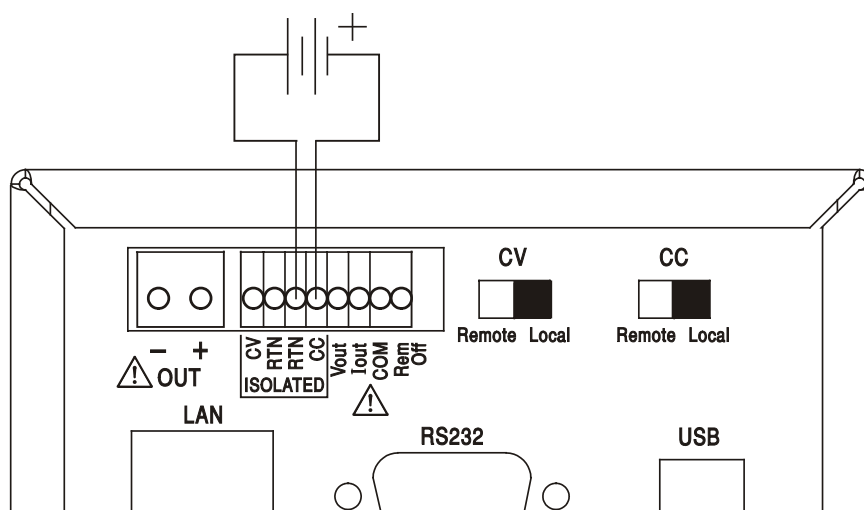
La stabilité des tensions de commande affecte directement la stabilité de la sortie. Tout bruit sur les signaux de commande génèrera du bruit sur la sortie. Afin de minimiser le bruit sur la sortie, connectez les tensions de commande aux entrées CV, CC et RTN à l'aide de paires torsadées ou écrantées (écrans reliés à la terre à une seule extrémité) et veillez à ce que les connexions soient les plus courtes possibles. Notez que le bruit de sortie est par nature légèrement plus élevé lorsque la commande analogique à distance est utilisée, à cause du bruit intrinsèque dans la circuiterie d'entrée isolante ; voir les Spécifications techniques.

Les diagrammes ci-dessous montrent les connexions pour la commande de Tension Constante (CV) et de Courant Constant (CC) à l'aide d'une tension externe.

Commande de Tension Constante



Commande de Courant Constant



Notez que lorsque la OUTPUT (SORTIE) est en marche, l'affichage de l'instrument affiche toujours la tension et le courant de sortie réels, quelle que soit la source de commande active. Cependant, lorsque la OUTPUT (SORTIE) est arrêtée, l'écran affichera la tension et le courant prédéfinis par les commandes du panneau avant (ou l'interface numérique si elle est active) et non les valeurs déterminées par les entrées CV et CC, même si elles ont été rendues actives (CV et CC réglées sur Remote (Distant)). Pour éviter toute confusion, il convient de régler les commandes du panneau avant au minimum lorsque la CV et le CC distants sont utilisés.

Tensions de commande de sortie analogique

Les tensions de commande de sortie analogique V_{out} et I_{out} sont générées à partir des tensions de commande interne réelles, pour lesquelles la source active peut être les commandes du panneau avant, l'interface numérique (RS232, USB, LAN ou GPIB) ou les entrées analogiques distantes CV et CC. V_{out} et I_{out} sont graduées de manière à ce que 0 à 100% de la tension et du courant nominaux de sortie (uniquement intervalle élevé) génère 0V à 5V sur les terminaux V_{out} et I_{out} du panneau arrière en ce qui concerne COM. COM est connecté à la sortie positive. I_{out} correspond toujours au courant défini, que la sortie soit ou non activée, mais V_{out} va sur 0V lorsque la sortie est désactivée.



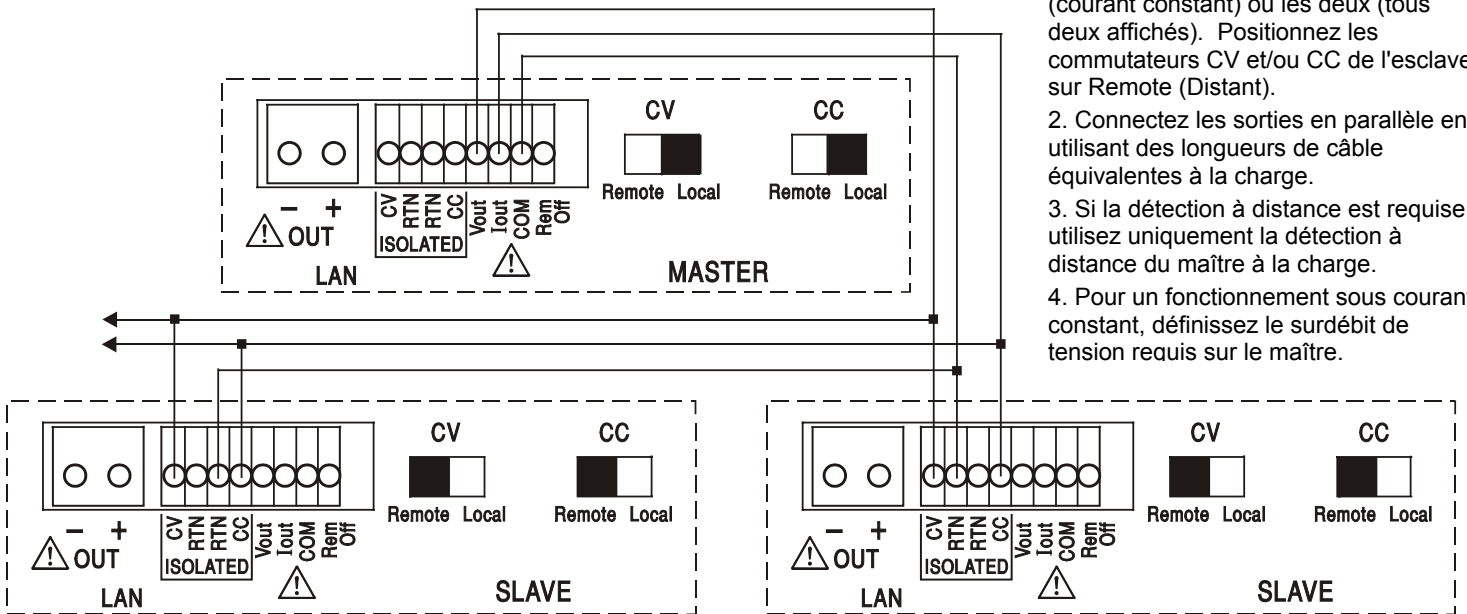
Avertissement ! COM fait référence au circuit de commande de sortie et se trouve dans une marge de 1 V du potentiel de sortie positive. V_{OUT} et I_{OUT} sont présents en permanence sur les terminaux.

Fonctionnement parallèle dans une configuration Master-Slave (Maître-Esclave)

Un fonctionnement parallèle dans une configuration Master-Slave permet la réalisation de courants de sortie supérieurs avec un partage de courant égal entre les unités et la commande de la tension et du courant à partir d'une seule unité. Toutes les unités doivent être du même type, c'est-à-dire, elles doivent avoir le même courant et tension nominaux de sortie. Le diagramme présente trois unités connectées en parallèle. Pour un partage de courant égal, chaque unité doit être connectée indépendamment à la charge avec des paires de câbles d'une jauge et d'une longueur égales pour assurer des baisses de tension égales. Connectez V_{out} , I_{out} et COM du maître sur les entrées CV, CC et RTN des esclaves (réglez les interrupteurs CV et CC sur Remote (Distant)), comme indiqué.

La tension et le courant du maître peuvent être réglés soit par les commandes du panneau avant, soit par l'interface numérique, ou par une tension externe appliquée à ses propres entrées de commande analogique CV et CC.

Fonctionnement parallèle dans une configuration Master-Slave (Maître-Esclave)



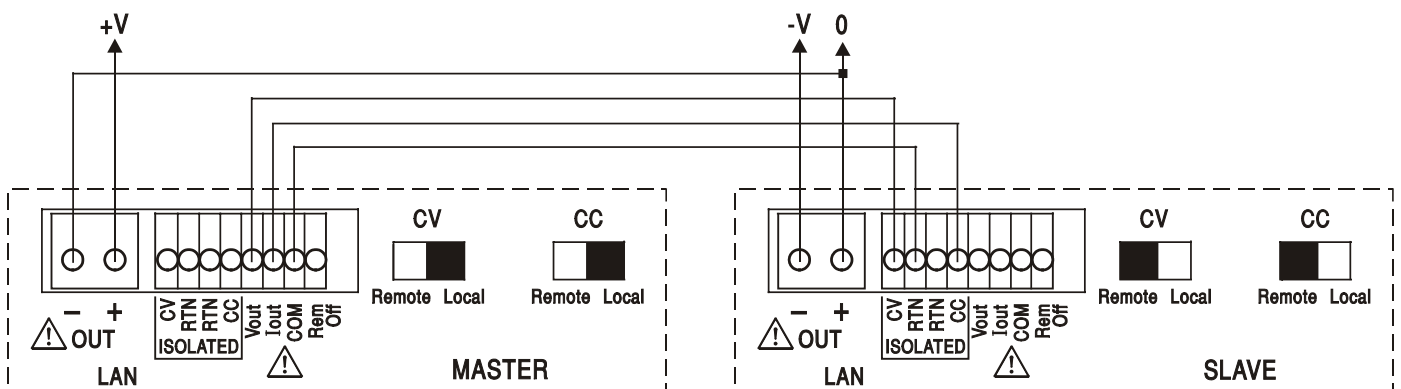
Notes:

1. Les unités peuvent être connectées pour la CV (tension constante, le CC (courant constant) ou les deux (tous deux affichés). Positionnez les commutateurs CV et/ou CC de l'esclave sur Remote (Distant).
2. Connectez les sorties en parallèle en utilisant des longueurs de câble équivalentes à la charge.
3. Si la détection à distance est requise, utilisez uniquement la détection à distance du maître à la charge.
4. Pour un fonctionnement sous courant constant, définissez le surdébit de tension requis sur le maître.

En mode de tension constante, la tension sur la charge est celle définie sur l'unité maître par ses commandes du panneau avant, via l'interface numérique ou par l'entrée de commande distante CV analogique. La limite de courant pour le système (à savoir le courant en mode de courant constant) correspond à la limite de courant définie sur le x n maître, où n est le nombre total d'unités connectées en parallèle.

Fonctionnement isolé ou en série dans une configuration Maître-Esclave

Un fonctionnement isolé ou en série dans une configuration Maître-Esclave permet l'appariement des tensions de sortie et des limites de courant à régler pour plusieurs unités à partir d'un seul instrument. Toutes les unités doivent être du même type, c'est à dire avoir une tension et un courant de sortie nominale similaires. Le schéma montre 2 unités branchées en série pour l'appariement des \pm Volts et des limites de courant. Connectez V_{out} , I_{out} et COM du Maître sur les entrées CV, CC et RTN des esclaves (réglez les interrupteurs CV et CC sur Remote (Distant)), comme indiqué.



Si des limites de courant indépendantes sont nécessaires, réglez CC sur Local et réglez les limites à partir du panneau avant de chaque unité.



Avertissement ! Dans les fonctionnements en série, prenez garde à ne pas dépasser la tension nominale maximale de fonctionnement (300 V) de tout terminal par rapport à la prise de terre (\perp) .

Distance désactivée

Une fermeture de commutateur ou un bas logique entre les entrées Rem Off (Distance désactivée) et COM du panneau arrière, désactivera à distance la sortie si elle était auparavant activée ; la lampe OUTPUT (SORTIE) du panneau avant s'éteindra également. L'ouverture du commutateur entre Rem Off et COM réactivera la sortie.



Avertissement ! COM fait référence au circuit de commandes de sortie et se trouve dans la marge de 1 V du potentiel de sortie positive.

Fonctionnement de l'Interface Distante

L'instrument peut être contrôlé à distance via ses interfaces RS232, USB, LAN ou GPIB (en option). La commande distante analogique est décrite dans la section précédente.

La télécommande USB fonctionne de la même manière que décrit pour un appareil RS232 mais par l'intermédiaire du connecteur USB. Le logiciel fourni avec l'appareil configure l'ordinateur de contrôle pour traiter la connexion USB comme un port COM virtuel. Le logiciel d'application de l'ordinateur peut ensuite communiquer avec l'appareil via le port COM.

L'interface LAN est conçue pour être conforme à LXI (Lan eXtensions for Instrumentation) version 1.2 ; l'instrument est compatible avec la Class C. La commande distante utilisant l'interface LAN est possible à l'aide du protocole TCP/IP Sockets. L'instrument contient également un serveur web de base qui fournit des informations sur l'unité, lui permettant ainsi d'être configurée à partir d'un navigateur internet. Une simple commande de ligne de commande du navigateur est également possible.

L'instrument est fourni avec des interfaces RS232, USB, et LAN en standard ; GPIB est en option. Toutes les interfaces sont, par défaut, actives à tout moment (un exigence LXI) mais l'accès à des interfaces spécifiques peut être limité à l'aide des options de configuration sur les pages web.

Verrouillage de l'Interface

Toutes les interfaces sont actives à tout moment ; cela élimine la nécessité de sélectionner l'interface active et représente également une exigence de LXI. Afin de réduire le risque que l'instrument soit, par inadvertance, sous le contrôle de deux interfaces en même temps, un simple mécanisme de verrouillage et de déverrouillage est fourni dans le jeu d'instructions. Le verrou est automatiquement débloqué lorsqu'il est possible de détecter une déconnexion et lorsque le bouton local est enfoncé. L'accès aux interfaces peut également être restreint à l'aide des pages web.

Toute interface peut nécessiter d'avoir la commande exclusive de l'instrument en envoyant une commande "IFLOCK". Le verrou ne peut être débloqué que par l'envoi d'une commande "IFUNLOCK" depuis l'instance de l'interface qui a actuellement le verrou et peut être demandé à partir de toute interface par l'envoi d'une commande "IFLOCK?". La réponse à l'une de ces commandes sera "-1" si le verrou est détenu par une autre instance d'interface, "0" si l'interface est libre et "1" si le verrou est détenu par l'instance d'interface effectuant la requête. L'envoi de toute commande depuis une interface sans droits de commande qui tente de modifier le statut de l'instrument définira un bit 4 du Event Status Register Standard et placera 200 dans le Execution Error Register pour indiquer que les droits sont insuffisants pour l'action requise.

Remarque : il est également possible de configurer les droits d'une interface spécifique soit en « lecture seule » soit en « pas d'accès » à partir de l'interface de la page internet.

Sélection d'adresse

La capacité d'adresse de l'instrument n'est strictement requise que par l'interface GPIB. Toutefois, il est possible d'utiliser la commande ADDRESS? Sur l'une quelconque des interfaces, afin d'identifier facilement l'instrument qui est contrôlé par un port COM spécifique (pour RS232 ou USB) ou TCP socket (for LAN). Notez que l'interface LAN possède également une fonction « Identifier » distincte, accessible depuis les pages internet de l'instrument, et qui fait clignoter l'écran de l'instrument, jusqu'à ce que la fonction soit annulée.

L'adresse est définie sur le panneau avant de l'instrument, comme suit. Démarrer en ayant l'appareil hors tension, avec toutes les touches Lock, Meter Average et Current Range enfoncées puis mettre l'appareil sous tension. L'écran affiche **Addr** dans l'affiche des Volts et **nn** dans l'affichage des mA, où **nn** est le paramètre actuel (par défaut **Addr 11**). L'adresse peut être décrémentée et incrémentée avec les touches Meter Average et Current Range respectivement dans la plage allant de 1 à 31 inclus (pas 0), avec 'wrap-round' (mettre à cheval). L'adresse est confirmée et le processus terminé en maintenant la touche Lock enfoncée. L'écran affiche **Set** et la nouvelle adresse pendant environ 2 secondes, puis retourne à l'affichage normal des Volts et des mA une fois que la nouvelle adresse a été acceptée.

L'adresse peut également être définie depuis les pages internet de l'instrument.

Fonctionnement Distant/Local

A l'allumage, l'instrument sera à l'état local avec l'indicateur REMOTE (DISTANT) désactivé. Dans cet état, toutes les opérations du panneau avant sont possibles. Lorsque l'instrument est adressé pour écouter et qu'une commande est reçue, l'état distant est saisi et l'indicateur REMOTE (DISTANT) sera activé. Dans cet état, le panneau avant est verrouillé et seules les commandes distantes seront traitées. Les paramètres V/I, le paramétrage Meter Average, et (les) l'état(s) Current Range et de sortie demeurent inchangés mais LOCK et V-Span sont désactivés s'ils étaient activés. Les valeurs Vmin et Vmax sont conservées. L'instrument peut être remis à l'état local en appuyant sur la touche LOCAL ; cependant, l'effet de cette action restera jusqu'à ce que l'instrument soit réadressé ou reçoit un autre caractère de l'interface, lorsque l'état distant sera de nouveau saisi. Revenir à l'état Local par cette action, ou par l'utilisation de la commande LOCAL, laissera les paramètres V/I aux dernières valeurs définies à distance, avec les Lock Settings (Paramètres de verrou) activés, et laissera la sortie dans son état actuel.

Interface RS232

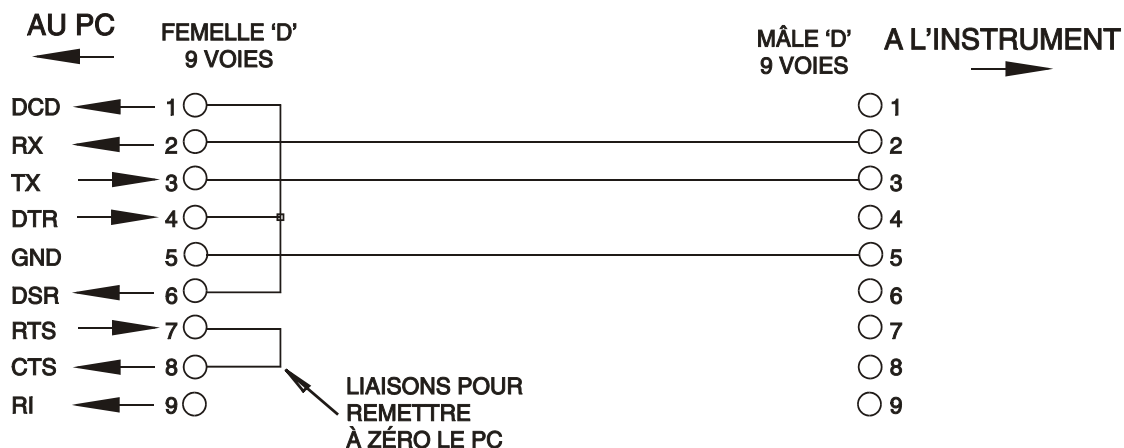
Connecteur d'interface RS232

Le connecteur d'interface série type D 9 voies se trouve sur le panneau arrière de l'appareil. Son brochage est indiqué ci-dessous :

Broche	Nom	Description
1	RI	Avec assertion passive (+V à 10k Ω)
2	TXD	Données transmises à partir de l'appareil
3	RXD	Données reçues par l'appareil
4	CTS	
5	GND	Terre de signal
6	RTS	Avec assertion passive (+V à 10k Ω)
7	DSR	Pas de connexion interne
8	DTR	
9	CD	Pas de connexion interne

Connexions RS232

L'interface RS232 doit être connectée à un port de PC standard à l'aide d'un câble complet 1:1 mâle-femelle sans connexion croisée. Il est également possible de connecter uniquement les broches 2, 3 et 5 au PC, mais avec des liaisons dans l'connecteur côté PC entre les broches 1, 4 et 6 et entre les broches 7 et 8, reportez-vous au schéma.



Le Débit de Baud pour cet instrument est fixé à 9600 ; les autres paramètres sont fixés comme suit :

Bits de départ : 1

Parité : Aucune

Bits de données : 8

Bits d'arrêt : 1

Jeu de caractères RS232

En raison de la nécessité d'un protocole XON/XOFF, il n'est possible de transmettre que des données en code ASCII ; les blocs binaires ne sont pas admis. Le bit 7 des codes ASCII est ignoré, c'est-à-dire qu'il est supposé bas. Aucune distinction n'est faite entre les majuscules et les minuscules pour les mnémoniques de commande et on peut les mélanger librement. Les codes ASCII inférieurs à 20H (espace) ne sont pas utilisés. Dans ce manuel, 20H signifie 20 en hexadécimal. L'unité enverra XOFF lorsqu'il y a 50 bits libres restants et XON lorsque celui-ci augmente à 100 bits.

Interface USB

L'interface USB est un port COM virtuel pouvant être contrôlé par un PC comme s'il était un appareil RS232. L'appareil est fourni avec un CD qui contient un fichier .inf pour les pilotes standard de Microsoft sous Windows 2000, XP, Vista et Windows 7; l'assistant d'installation installe le pilote (32 bits ou 64 bits) qui convient sur le système d'exploitation du PC.

L'installation du pilote d'interface s'effectue en connectant l'instrument à un PC via un câble USB standard. Les fonctions 'Plug & Play' de Windows devraient automatiquement reconnaître l'ajout d'un nouveau matériel sur l'interface USB et si c'est la première fois que la connexion est établie, elles demanderont l'emplacement d'un pilote convenable. A condition que les invites standard de Windows soient correctement suivies, Windows installera le pilote approprié et établira un port COM virtuel dans le PC. Le numéro du nouveau port COM dépendra du nombre de ports COM coexistant dans le PC. Le port COM virtuel peut être piloté par les applications Windows exactement de la même manière qu'un port standard, sauf que le réglage de la vitesse de transmission du port COM virtuel est ignoré.

Le pilote restera installé sur le PC de sorte que l'établissement d'un port COM virtuel sera effectué automatiquement chaque fois que l'appareil sera à l'avenir connecté au PC via l'USB.

Des ports COM supplémentaires sont créés pour chaque appareil supplémentaire connecté au PC via l'USB. Chaque appareil reçoit un port COM virtuel différent la première fois qu'il est connecté et ce même port COM sera utilisé chaque fois qu'un appareil est reconnecté ; le logiciel PC utilise le code unique intégré dans chaque appareil pour le lier au même port COM virtuel, quelque soit le port USB utilisé.

Il est également possible d'utiliser la commande ADDRESS? pour identifier facilement l'instrument qui est contrôlé par un port COM spécifique. Bien que la capacité d'adressage soit ignorée dans le fonctionnement de l'USB, l'adresse peut encore être définie et utilisée comme identifiant ; définissez chaque instrument connecté à l'USB à une adresse différente et envoyez la commande ADDRESS? depuis chaque port COM virtuel afin de confirmer l'instrument qui est connecté à ce port.

Interface LAN

L'interface LAN est conçue pour être compatible avec le LXI version standard 1.2 et contient les interfaces et protocoles décrits ci-dessous. Dans la mesure où il est possible de faire des erreurs de configuration sur l'interface LAN, ce qui l'empêche de communiquer avec l'instrument sur LAN, un mécanisme de LAN Configuration Initialize (LCI) (Initializer la Configuration LAN) est fourni via un commutateur encastré sur le panneau arrière afin de réinitialiser l'unité aux paramètres d'usine par défaut. Le paramétrage par défaut concerne les instruments afin de tenter d'obtenir des paramètres via le DHCP, s'il est disponible ou, si le DHCP dépasse le délai d'attente (au bout de 30 secondes), via Auto-IP.

Dans le cas très improbable où une adresse IP Auto est introuvable, une adresse IP statique de 192.168.0.100 est attribuée. La réinitialisation du LAN supprime toute protection par mot de passe.

La réinitialisation du LAN supprime toute protection par mot de passe.

Pour plus d'informations sur les normes LXI, veuillez consulter www.lxistandard.org/home

Connexion LAN

Pour utiliser l'interface LAN, l'adresse IP de l'unité doit être connue. Un outil LXI Discovery Tool sur le CD-ROM fourni peut être utilisé pour afficher les adresses IP (et autres informations associées) de tous les appareils connectés conformes au protocole de détection VXI-11. Cet outil est une application PC Windows qui doit être installée et exécutée sur le PC de contrôle avec l'unité connectée soit directement au connecteur réseau du PC soit par l'intermédiaire d'un routeur. La connexion via un routeur est recommandée car l'attribution d'une adresse IP est nettement plus rapide ; la connexion directement au PC commencera à attribuer une adresse IP après seulement 30 secondes de dépassement de délai du DHCP. Le fait de double cliquer sur toute entrée de la liste des appareils connectés ouvrira le navigateur web du PC et affichera la page d'accueil de cet appareil.

Il existe également des outils pour la détection LAN compris dans le cadre du module National Instruments Measurement and Automation Explorer package et l'application Agilent Vee.

Dès qu'elle sera mise sous tension, l'unité tentera d'obtenir les paramètres via le DHCP s'il est disponible, ou, si le délai d'attente du DHCP est dépassé (30 secondes), via Auto-IP. Dans le cas très improbable où une adresse IP Auto est introuvable, une adresse IP statique de 192.168.0.100 est attribuée. Si la connexion ne se fait toujours pas, l'instrument fera clignoter **LAN Err** sur l'écran, voir la section Erreur LAN pour plus de détails.

Serveur Web; Protection du mot de passé de configuration

L'unité contient un serveur web de base. Celui-ci fournit des informations sur l'instrument et lui permet d'être configuré. La page Configurer peut être protégée par un mot de passe pour empêcher toute modification non autorisée de la configuration du fonctionnement distant ; la configuration par défaut est "pas de mot de passe".

La page Configurer elle-même explique comment paramétrer le mot de passe. Celui-ci peut contenir jusqu'à 15 caractères ; notez que le **Nom de l'utilisateur doit être laissé vierge**. Le mot de passe sera cependant réinitialisé à la valeur par défaut (pas de mot de passe) si l'interrupteur LAN RESET du panneau arrière est utilisé pour réinitialiser tous les paramètres LAN à leur valeur d'usine par défaut.

Les pages web ont également une fonction « identifier » qui permet à l'utilisateur d'envoyer une commande d'identification à l'instrument qui entraîne le clignotement de son écran jusqu'à ce que la commande soit annulée.

Serveur ICMP Ping

L'unité contient un serveur ICMP permettant à l'instrument d'être « pingué » via son nom d'hôte ou son adresse IP.

Protocole de Détection VXI-11

L'instrument a un support très limité de VXI-11, suffisant pour le protocole de détection et pas plus.

L'instrument met en œuvre un mappage de port Sun RPC sur le port 111 du TCP et le port 111 de l'UDP comme défini dans RPC1183. Les appels pris en charge sont les suivants : NULL, GET PORT et DUMP.

Sur le port 1024 du TCP, un protocole VXI-11 très simple est mis en œuvre et suffit uniquement pour la détection d'instrument. Cela met en œuvre les appels suivants : CREATE LINK, DEVICE_WRITE, DEVICE_READ et DESTROY_LINK.

Dès qu'un lien a été créé, tout ce qui est écrit sur l'appareil est ignoré et toute lecture depuis l'appareil renvoie la chaîne d'identification qui serait attendue d'un "*IDN?" sous la forme

'Manufacturer, Model, Serial No., X.xx – Y.yy'

Par exemple

SORENSEN, XEL 120-0.75P, 279730, 1.00 – 1.00

Où 'X.xx' est la révision du firmware principal et 'Y.yy' est la révision du firmware de l'interface. Le firmware de l'interface est adaptable dans le champ utilisateur via le port USB.

Nom de ressource VISA

À cause du soutien limité pour le VXI-11 (Discovery Protocol uniquement), on doit utiliser les informations concernant son socket raw pour se référer à l'instrument lorsqu'il est utilisé dans des logiciels qui communiquent par un nom de ressource VISA. Par exemple, un instrument à l'adresse IP 192.168.1.100 doit normalement avoir un nom de ressource VISA "TCPIP0::192.168.1.100::inst0::INSTR", mais pour cet instrument, le nom doit être modifié pour lire "TCPIP0::192.168.1.100::9221::SOCKET", où 9221 est le port TCP utilisé par cet instrument pour le contrôle et la surveillance ; voir ci-dessous.

URL du Document d'Identification XML

Comme cela est requis par la Norme LXI, l'instrument fournit un document d'identification XML qui peut être requêté via un GET sur "http://<hostname>:80/lxi/identification" qui est conforme au schéma LXI XSD (disponible sur <http://www.lxistandard.org/InstrumentIdentification/1.0>) et les Normes de Schémas W3C XML (<http://www.w3.org/XML/Schema>). Ce document décrit l'instrument.

Prises TCP

L'instrument utilise 2 prises sur le port 9221 TCP pour le contrôle et le suivi de l'instrument. Les commandes de texte sont envoyées sur ce port comme défini dans les « Commandes distantes » et toute réponse est renvoyée via le même port. Toute chaîne doit être constituée d'une ou plusieurs commandes complètes. Les commandes peuvent être séparées par des points virgules ";" ou sauts de ligne. Aucun terminator n'est requis puisque le cadre TCP contient des commandes complètes, bien que les commandes puissent être envoyées avec un terminator si on le souhaite (il sera ignoré). Chaque commande sur TCP se comporte comme si elle était terminée avec un terminator de commande (ASCII caractère 0AH, saut de ligne).

Erreur LAN

Si une connexion LAN est effectuée mais qu'une erreur est détectée (par exemple, l'adresse IP est la même que celle d'un autre appareil du réseau) alors, l'écran de l'instrument clignotera de manière alternée, entre les valeurs de tension et de courant normales et **LAN Err**, jusqu'à ce que l'erreur soit corrigée. Si une erreur LAN se produit ; vérifiez et corrigez la configuration de l'instrument ; un mécanisme LAN Configuration Initialize (LCI) (Initialisation de la Configuration LAN) est fourni via un commutateur encastré sur le panneau arrière (marqué LAN RESET (REINITIALISATION LAN)) afin de réinitialiser l'unité sur le paramétrage d'usine par défaut. Le paramétrage par défaut sert à ce que l'instrument tente d'obtenir les paramètres via le DHCP, s'il est disponible, ou si le DHCP dépasse le délai d'attente (30 secondes), via Auto-IP. Dans le cas très improbable où une adresse IP Auto est introuvable, une adresse IP statique de 192.168.0.100 est attribuée.

L'écran clignotera également entre les valeurs normales et **LAN Err** si aucune connexion LAN physique n'est détectée à l'allumage, mais il s'arrêtera de clignoter au bout de 10 secondes. Pour désactiver ce message à chaque allumage, émettez la commande 'NOLANOK 1' sur toute interface. Pour réactiver le message à l'allumage, émettez la commande 'NOLANOK 0' ou utilisez l'interrupteur LAN RESET encastré dans le panneau arrière afin de réinitialiser tous les paramètres LAN à leurs valeurs d'usine, voir l'introduction de la section LAN.

Interface GPIB

Lorsque l'interface GPIB est montée, le connecteur 24 voies GPIB se trouve sur le panneau arrière de l'instrument. Les connexions des broches sont spécifiées à la norme IEEE 488.1-1987 et l'instrument doit être conforme aux normes IEEE 488.1-1987 et IEEE 488.2-1987.

Sous-ensembles GPIB

Cet instrument contient les sous-ensembles IEEE 488.1 suivants:

Source Handshake (établissement de liaison avec l'émission)	SH1
Acceptor Handshake (acceptation de liaison)	AH1
Talker (émetteur)	T6
Listener (récepteur)	L4
Service Request (demande de service)	SR1
Remote Local (à distance local)	RL2
Parallel Poll (scrutation parallèle)	PP1
Device Clear (initialisation dispositif)	DC1
Device Trigger (déclenchement dispositif)	DT0
Controller (contrôleur)	C0
Electrical Interface (interface électrique)	E2

Traitement des erreurs GPIB norme IEEE 488.2 – registre d'erreurs d'interrogation

L'IEEE 488.2 UNTERMINATED error (erreur non terminée IEEE 488.2) (mode d'émission, mais rien à émettre) est traitée de la manière suivante. Si l'instrument est en mode d'émission, que le formateur de réponse est inactif et que la file d'attente d'entrée est vide, UNTERMINATED error est généré. Ceci entraîne le positionnement du bit Query Error (erreur d'interrogation) dans le Standard Event Status Register (registre d'état d'événement standard) et une valeur de 3 dans le Query Error Register (registre d'erreurs d'interrogation) et la réinitialisation de l'analyseur syntaxique. Se reporter à la section Rapport d'état pour plus d'informations.

L'IEEE 488.2 INTERRUPTED error (erreur interrompue IEEE 488.2) est traitée de la manière suivante. Si le formateur de réponse attend de transmettre un message de réponse et qu'un <PROGRAM MESSAGE TERMINATOR> (terminaison de message de programme) a été lu par l'analyseur syntaxique ou que la file d'attente d'entrée contient plus d'un message END (fin), ceci indique que l'instrument a été INTERRUPTED (interrompu) qu'une erreur est générée. Ceci entraîne le positionnement du bit Query Error dans le Standard Event Status Register et une valeur de 1 dans le Query Error Register et la réinitialisation du formateur de réponse, ce qui vide la file d'attente de sortie. L'analyseur syntaxique commence alors à analyser le <PROGRAM MESSAGE UNIT> (unité de message de programme) suivant de la file d'attente d'entrée. Se reporter à la section Rapport d'état pour plus d'informations.

L'IEEE 488.2 DEADLOCK error (erreur de blocage fatal IEEE 488.2) est traitée de la manière suivante. Si le formateur de réponse attend de transmettre un message de réponse et que la file d'entrée devient pleine, l'instrument passe à l'état DEADLOCK (blocage fatal) et une erreur est générée. Ceci entraîne le positionnement du bit Query Error dans le Standard Event Status Register et une valeur de 2 dans le Query Error Register et la réinitialisation du formateur de réponse, ce qui vide la file d'attente de sortie. L'analyseur syntaxique commence alors à analyser le <PROGRAM MESSAGE UNIT> suivant de la file d'attente d'entrée. Se reporter à la section Rapport d'état pour plus d'informations.

Scrutation parallèle GPIB

Cet instrument fournit des capacités de scrutation parallèle complètes. Le Parallel Poll Enable Register (registre d'activation de scrutation parallèle) est réglé pour spécifier les bits du Status Byte Register (registre d'octets d'état) qui doivent être utilisés pour constituer le message local ist. Le Parallel Poll Enable Register est réglé par la commande *PRE <nrf> puis lu par la commande *PRE?. La valeur du Parallel Poll Enable Register est liée en montage ET avec le Status Byte Register; si le résultat est zéro, la valeur de ist est 0, sinon la valeur de ist est 1.

Il faut également configurer l'instrument afin que la valeur de ist puisse retourner au contrôleur lors d'une opération de scrutation parallèle. L'instrument est configuré par le contrôleur qui transmet une commande Parallel Poll Configure (PPC) (configuration scrutation parallèle) suivie d'une commande Parallel Poll Enable (PPE) (activation scrutation parallèle). Les bits de la commande PPE sont indiqués ci-dessous:

bit 7 =	X	sans effet
bit 6 =	1	activation scrutation parallèle
bit 5 =	1	
bit 4 =	0	
bit 3 =	Détection	détection du bit de réponse; 0 = bas, 1 = haut
bit 2 =	?	position de bit de la réponse
bit 1 =	?	
bit 0 =	?	

Exemple. Pour retourner le bit RQS (bit 6 du Status Byte Register) au niveau 1 à l'état vrai et au niveau 0 à l'état faux à la position de bit 1 en réponse à une scrutation parallèle, transmettre les commandes suivantes :

*PRE 64<pmt>, puis PPC suivi de 69H (PPE)

La réponse de scrutation parallèle de l'instrument sera alors 00H si RQS est 0 et 01H si RQS est 1.

Pendant la réponse de scrutation parallèle, les lignes d'interface DIO sont terminées de manière résistive (terminaison passive). Ceci permet à plusieurs dispositifs de partager la même position de bit de réponse en configuration de câblage en ET ou OU, se reporter à IEEE 488.1 pour plus d'informations.

Reporting de statut

Un modèle d'erreur et de statut distinct est conservé pour chaque instance d'interface ; une instance d'interface est définie comme une connexion potentielle. USB, RS232 et GPIB sont intrinsèquement des connexions uniques et par conséquent représentent chacun une instance d'interface. Le LAN, cependant, permet plusieurs connexions simultanées et par conséquent représente plusieurs instances d'interface. Deux instances d'interface sont attribuées aux deux interfaces de TCP socket et une instance supplémentaire est attribuée à l'interface de la page web. Le fait d'avoir un modèle séparé pour chaque instance d'interface garantit que les données ne sont pas perdues alors que de nombreuses commandes, telles que *ESR?, effacent le contenu à la lecture.

Le statut de l'erreur est conservé à l'aide d'un ensemble de registres ; ils sont décrits dans les paragraphes et présentés dans le Modèle de Statut à la fin de cette section.

Standard Event Status & Standard Event Status Enable Registers (registres d'état d'événement standard et d'activation d'état d'événement standard)

Ces deux registres sont mis en oeuvre comme exigé par la norme IEEE 488.2.

Tous les bits définis dans le Standard Event Status Register qui correspondent aux bits positionnés dans le Standard Event Status Enable Register entraîneront le positionnement du bit ESB dans le Status Byte Register.

Le Standard Event Status Register est lu, puis vidé par la commande *ESR?. Le Standard Event Status Enable Register est réglé par la commande *ESE <nrf> et lu par la commande *ESE?.

C'est un champ de bit dans lequel chaque bit a la signification suivante.

- Bit 7: Mise sous tension. Définie lorsque l'alimentation est d'abord appliquée à l'instrument.
- Bit 6: Requête utilisateur (non utilisé).
- Bit 5: Erreur de commande. Défini lorsqu'une erreur de type de syntaxe est détectée dans une commande depuis le bus. L'analyseur est réinitialisé et l'analyse continue au prochain bit dans le courant d'entrée
- Bit 4: Erreur d'exécution. Défini lorsqu'une erreur est rencontrée pendant une tentative d'exécuter une commande complètement analysée. Le numéro d'erreur approprié sera indiqué dans le Execution Error Register, voir la section Messages d'erreur
- Bit 3: Vérifier les erreurs de délais dépassés. Défini lorsqu'un paramètre est réglé avec « vérifier » spécifié et que la valeur n'est pas atteinte dans les 5 secondes, par exemple la tension de sortie est ralentie par un important condensateur sur la sortie.
- Bit 2: Erreur de requête. Régler quand une requête se produit. Le numéro approprié de l'erreur est signalé dans le Registre des erreurs de requête ; voir la section du Registre des erreurs de demande.
- Bit 1: Non utilisé.
- Bit 0: Opération terminée : Défini en réponse à la commande '*OPC'.

Execution Error Register

Ce registre contient un nombre représentant la dernière erreur rencontrée sur l'interface actuelle. Le Execution Error Register est lu et effacé à l'aide de la commande 'EER?'. A l'allumage, ce registre est défini sur 0 pour toutes les instances d'interface.

Les messages d'erreur ont la signification suivante :

- 0: Aucune erreur rencontrée
- 1-9: Erreur de matériel interne détectée.
- 100: Erreur d'intervalle. La valeur numérique envoyée n'est pas autorisée. Cela inclut des nombres qui sont trop grands ou trop petits pour le paramètre défini et les non entiers envoyés lorsque seuls les nombres entiers sont autorisés.
- 101: Un rappel des données de paramétrage a été demandé mais le magasin spécifié contient des données corrompues. Cela indique un défaut matériel ou une corruption de données temporaire, qui peut être corrigé en réécrivant les données dans le magasin.
- 102: Un rappel des données de paramétrage a été demandé mais le magasin spécifié ne contient aucune donnée.
- 103: Tentez de lire ou écrire une commande sur la deuxième sortie lorsqu'elle n'est pas disponible. En règle générale, cela se produira si on tente de programmer la deuxième sortie sur les instruments à canal unique ou sur un instrument à deux canaux qui est défini en mode parallèle.

-
- 104 La commande n'est pas valide lorsque la sortie est activée. Ceci est habituellement engendré par l'utilisation de la commande 'IRANGE <n>' sans avoir préalablement désactivé la sortie.
 - 200: Lecture seule : Une tentative a été faite de modifier les paramètres de l'instrument, depuis une interface sans droits d'écriture, voir la section Verrouillage de l'Interface.

Limit Event Status Register (registre d'état d'événement limite) et Limit Event Status Enable Register (registre d'activation d'état d'événement limite)

Il existe pour les alimentations électriques de sortie unique, un Event Status Register Limite ; pour les alimentations électriques doubles (sauf en cas de fonctionnement en mode parallèle) ils sont deux. Ils doivent être lus et effacés à l'aide de 'LSR1?' et 'LSR2 ?' respectivement. A l'allumage, ces registres sont définis sur 0 puis définis immédiatement pour indiquer la nouvelle limite de statut.

Tout bit réglé dans un Limit Event Status Register correspondant au bit réglé dans le Limit Event Status Enable Register qui l'accompagne provoque le réglage du bit LIM1 ou LIM2 dans le Status Byte Register.

- Bit 7 : Réservé à une utilisation future
- Bit 6 : Défini lorsqu'un déclenchement s'est produit qui ne peut être réinitialisé qu'à partir du panneau avant ou en supprimant et en réappliquant l'électricité CA.
- Bit 5: Réservé à une utilisation future
- Bit 4: Réservé à une utilisation future
- Bit 3: Réglé quand un déclenchement de surintensité de sortie est survenu
- Bit 2: Réglé quand un déclenchement de surtension de sortie est survenu
- Bit 1: Défini lorsque la sortie entre dans la limite de courant (mode CC)
- Bit 0: Défini lorsque la sortie entre dans la limite de tension (mode CV)

Status Byte Register et Service Request Enable Register (Registre d'activation de demande de service)

Ces deux registres sont mis en oeuvre comme exigé par la norme IEEE 488.2.

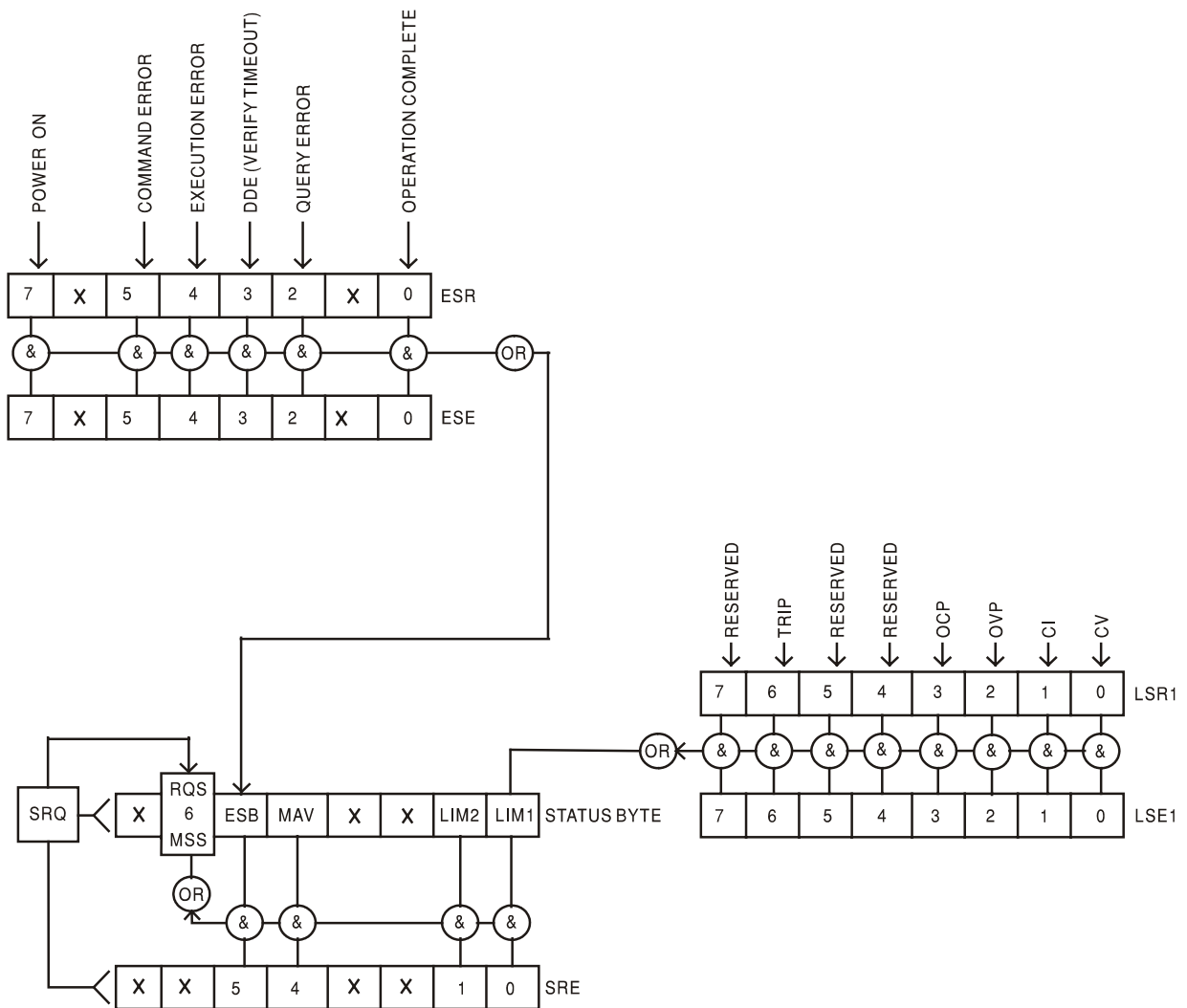
Tous les bits définis dans le Status Byte Register qui correspondent aux bits positionnés dans le Service Request Enable Register entraîneront le positionnement du bit RQS/MSS dans le Status Byte Register, ce qui génère une Service Request sur le bus.

Le Standard Event Status Register est lu, soit par la commande *STB?, qui renvoie MSS au bit 6 soit par une Serial Poll (scrutation série) qui renvoie RQS au bit 6. Service Request Enable Register est réglé par la commande *SRE <nrf> et lu par la commande *SRE?.

- Bit 7 - Non utilisé.
- Bit 6 - RQS/MSS. Ce bit, défini par la norme IEEE 488.2, contient à la fois le message Requesting Service et le message Master Status Summary (résumé d'état principal). RQS est renvoyé en réponse à Serial Poll et MSS en réponse à la commande *STB?.
- Bit 5 - ESB. Event Status Bit (bit d'état d'événement). Ce bit est réglé si des bits positionnés dans le Standard Event Status Register correspondent aux bits réglés au Standard Event Status Enable Register.
- Bit 4 - MAV. Message Available Bit (bit de message disponible). Ce bit est réglé lorsqu'un message de réponse de l'instrument est mis en forme et qu'il est prêt à être transmis au contrôleur. Le bit sera réinitialisé lorsque le Response Message Terminator (terminaison de message de réponse) a été transmis.

- Bit 3 - Non utilisé.
- Bit 2 - Non utilisé.
- Bit 1 - LIM2. Ce bit sera réglé si des bits sont programmés dans le Limit Event Status Register 2 et que des bits correspondants sont réglés dans le Limit Event Status Enable Register 2.
- Bit 0 - LIM1. Ce bit sera réglé si des bits sont programmés dans le Limit Event Status Register 1 et que des bits correspondants sont réglés dans le Limit Event Status Enable Register 1.

Modèle de statut



Mise sous tension et paramétrages par défaut du fonctionnement à distance

Les valeurs suivantes d'état d'instrument sont réglées à l'allumage:

Status Byte Register	= 0
Service Request Enable Register †	= 0
Standard Event Status Register	= 128 (bit pon réglé)
Standard Event Status Enable Register †	= 0
Execution Error Register	= 0
Query Error Register	= 0
Parallel Poll Enable Register †	= 0

†† Les registres marqués de cette manière sont spécifiques à la section GPIB de l'instrument et sont d'un usage limité par d'autres interfaces.

L'instrument sera en état local avec les commandes du panneau avant actives (dans la mesure où les commutateurs du panneau arrière CV et CC sont définis sur Local).

Les paramètres de l'instrument lors de la mise sous tension sont identiques à ceux lors du dernier arrêt, à l'exception du statut de sortie. Par défaut, cela est toujours désactivé lors de la mise sous tension, mais l'utilisateur peut changer cela depuis le panneau avant de celui-ci lors de la mise sous tension ou de la mise hors tension, consultez le paragraphe Conditions d'allumage et de mise sous tension dans la section Manual Operation.

La commande d'interface *RST (réinitializer) réinitialize l'instrument aux paramètres par Défaut de Fonctionnement à Distance.

Les paramètres par Défaut de Fonctionnement à Distance sont les suivants :

$V_{out}=1V$, $I_{out}=10mA$, $\Delta V=100mV$, $\Delta I=1mA$, Lock cancelled, V-Span cancelled, 500mA Range cancelled, Meter Average cancelled, OVP & OCP à 5% au-dessus des maximums d'intervalle de l'instrument. Le message **LAN Err** (10 secondes) indiquant qu'aucune connexion LAN n'est détectée à l'allumage est activé. Le mot de passe de la page Configurer sur le serveur web est réinitialisé sur "pas de mot de passe".

Les paramètres d'interface distante, les paramètres enregistrés, les valeurs V_{min}/V_{max} et l'état de Sortie lors du paramétrage de mise sous tension sont inchangée par *RST.

Commandes à distance

Formats des commandes à distance RS232/USB

L'entrée RS232 de l'appareil est mise en tampon dans une file d'attente d'entrée de 256 octets remplie, sous interruption, de manière transparente à toutes les autres opérations de l'appareil. L'appareil transmettra un signal XOFF lorsque environ 200 caractères se trouvent dans la file d'attente. Le signal XON sera transmis lorsque environ 100 espaces libres deviennent disponibles dans la file d'attente après transmission de XOFF. Cette file d'attente contient des données pures (non analysées sur le plan syntaxique) qui sont acceptées par l'analyseur, le cas échéant. Les commandes (et interrogations) sont exécutées dans l'ordre et l'analyseur de syntaxe ne commence pas de nouvelle commande avant que la commande ou l'interrogation précédente ne soit achevée. Les réponses RS232 aux commandes ou interrogations sont immédiatement transmises ; il n'y a pas de file d'attente de sortie.

L'entrée USB est compatible avec le standard USB 2.0 (Haute Vitesse).

Les commandes doivent être envoyées comme spécifié dans la liste des commandes et doivent être suivies du code terminateur de commande 0AH (saut de ligne, LF). Les commandes peuvent être envoyées en groupe, séparées les unes des autres par le code séparateur 3BH (;). Le groupe doit être suivi du code terminateur de commande 0AH (saut de ligne, LF).

Les réponses de l'appareil au contrôleur sont envoyées comme spécifié dans la liste des commandes. Chaque réponse se termine par <RESPONSE MESSAGE TERMINATOR> (terminateur de message par réponse) qui est 0DH (retour chariot, CR) suivi de 0AH (saut de ligne, LF).

<WHITE SPACE> (espace blanc) est défini sous forme de code de caractère 00H à 20H inclus.

Il n'est pas tenu compte de <WHITE SPACE> sauf dans les identifiants de commande, par exemple « *C LS » n'est pas équivalent à « *CLS ».

Il n'est pas tenu compte du bit haut des différents caractères.

Les commandes acceptent indifféremment les minuscules et majuscules.

Formats de commande à distance GPIB

L'entrée GPIB de l'instrument est mise en tampon dans une file d'attente d'entrée de 256 octets remplie, sous interruption, de manière transparente à toutes les autres opérations de l'instrument. La file d'attente contient des données pures (non analysées sur le plan syntaxique) qui sont acceptées par l'analyseur, le cas échéant. Les commandes (et interrogations) sont exécutées dans l'ordre et l'analyseur syntaxique ne démarre pas de nouvelle commande avant qu'une commande ou interrogation précédente ne soit terminée. Il n'y a pas de file d'attente de sortie, c'est à dire que le formateur de réponse attend indéfiniment, le cas échéant, jusqu'à ce que l'instrument soit en mode d'émission et que le message de réponse complet ait été transmis, avant que l'analyseur syntaxique soit autorisé à démarrer la commande suivante dans la file d'attente d'entrée.

Les commandes sont transmises en tant que <PROGRAM MESSAGES> (messages de programme) par le contrôleur et chaque message n'a aucun élément <PROGRAM MESSAGE UNIT> ou est constitué de plusieurs éléments <PROGRAM MESSAGE UNIT> séparés par des éléments <PROGRAM MESSAGE UNIT SEPARATOR> (séparateur d'unité de message de programme).

Un <PROGRAM MESSAGE UNIT> est une commande quelconque parmi celles de la liste des commandes à distance.

Un <PROGRAM MESSAGE UNIT SEPARATOR> est le caractère point-virgule ';' (3BH).

Les <PROGRAM MESSAGES> sont séparés par des éléments <PROGRAM MESSAGE TERMINATOR> (terminaison de message de programme) qui peuvent être constitués d'un des éléments suivants:

NL	Caractère nouvelle ligne (0AH)
NL^END	Caractère nouvelle ligne avec message END
^END	Message END avec le dernier caractère du message

Les réponses de l'instrument au contrôleur sont transmises en tant que <RESPONSE MESSAGES> (messages de réponse). Un <RESPONSE MESSAGE> est constitué d'un <RESPONSE MESSAGE UNIT> (unité de message de réponse) suivi d'un <RESPONSE MESSAGE TERMINATOR> (terminaison de message de réponse).

Un <RESPONSE MESSAGE TERMINATOR> est le caractère de nouvelle ligne avec le message END NL^END.

Chaque interrogation produit un <RESPONSE MESSAGE> spécifique qui est répertorié avec la commande dans la liste des commandes à distance.

Il n'est pas tenu compte de <WHITE SPACE> sauf dans les identificateurs de commande, par exemple '*C LS' n'est pas équivalent à '*CLS'. <WHITE SPACE> est défini en tant que codes de caractère 00H à 20H inclus, à l'exception du caractère NL (0AH).

Il n'est pas tenu compte du bit haut des caractères.

Les commandes ne font pas de distinction entre les minuscules et les majuscules.

Liste des commandes

Cette section liste toutes les commandes et requêtes mises en œuvre dans cette famille d'instruments. Pour maintenir la compatibilité des commandes au sein de la famille XEL et avec d'autres alimentations programmables, les commandes de sortie spécifiques nécessitent toujours le nombre de sorties à inclure dans la commande, même si ces instruments ne possèdent qu'une seule sortie, par ex. V1 120 pour régler la sortie sur 120 Volts. Les quelques commandes applicables aux instruments à double sortie dans la famille XEL sont listées à titre exhaustif, mais seront ignorées dans cet instrument.

Noter qu'il n'y a pas de paramètres dépendants, de paramètres couplés, de commandes de chevauchement, d'éléments de données de programme d'expression, ni d'en-têtes de programme de commande composés ; chaque commande est entièrement exécutée avant le démarrage de la commande suivante. Toutes les commandes sont séquentielles et le message de fin d'exécution est généré immédiatement après exécution dans tous les cas.

La nomenclature suivante est utilisée :

- <rm> <RESPONSE MESSAGE TERMINATOR>
- <nrf> Un nombre, sous tout format, par exemple, 12, 12.00, 1.2 e1 et 120 e-1 est accepté en tant que numéro 12. Tout nombre, lorsqu'il est reçu ; est converti à la précision requise correspondant à l'utilisation, puis arrondi pour obtenir la valeur de la commande.
Nombre sous tout format, par exemple 12, 12,00, 1,2 e1 ou 120 e-1 est accepté en tant que le numéro 12. Tout numéro, après sa réception, est converti à la précision requise correspondant à l'utilisation, puis arrondi de manière à permettre d'obtenir la valeur de la commande.
- <nr1> Nombre sans partie décimale, c.-à-d. nombre entier.
- <nr2> Un nombre sous format de virgule fixe, par ex. 11,52, 0,78 etc.
- <n> Le numéro du registre de sortie ou d'état auquel la commande se rapporte.
Noter que <n>= 3 se rapporte à la sortie auxiliaire.
- <n> Le numéro de la sortie (1 ou 2) ou le registre de statut associé correspondant à la commande. Sur les alimentations à double sortie, '1' correspond au Maître (sortie de droite) et '2' correspond à l'Esclave (sortie de gauche). Sur les alimentations à simple sortie, <n> est toujours 1.

Les commandes qui commencent avec un * sont appliquées telles qu'elles sont stipulées par la norme IEEE 488.2 en tant que Commandes communes. Elles fonctionneront toutes sur les autres interfaces, mais certaines d'entre elles peuvent être d'utilité réduite.

Commandes spécifiques de l'instrument

Pour les commandes spécifiées comme 'WITH VERIFY' (avec vérification), le message 'Operation Complete' (opération terminée) est généré quand le paramètre à ajuster atteint la valeur requise à $\pm 5\%$ ou ± 10 mesures, la plus grande étant retenue. Si la valeur ne parvient pas à se stabiliser dans ces limites dans les 5 secondes, alors le bit 'Verify Timeout' (expiration de la vérification, bit 3) est réglé dans le Standard Event Status Register et le message 'Operation Complete' sera généré après la période d'attente.

'Le bit "opération terminée" (bit 0) dans le registre Standard Event n'est jamais active par la commande *OPC. La commande *OPC (ou *OPC?) est utilisée pour synchroniser des unités en mode télécommande.

V<n> <nrf>	règle la sortie <n> à <nrf> Volts
V<n>V <nrf>	règle la sortie <n> à <nrf> Volts avec vérification
OVP<n> <nrf>	règle le point de déclenchement de protection de surtension de la sortie <n> à <nrf> Volts
I<n> <nrf>	règle la limite d'intensité de sortie <n> à <nrf> A.
OCP<n> <nrf>	règle le point de déclenchement de protection de surintensité de la sortie <n> à <nrf> A.
V<n>?	renvoie la tension réglée – la réponse est V<n> <nr2><rmt> où <nr2> est en Volts
I<n>?	renvoie la limite d'intensité réglée – la réponse est I<n> <nr2><rmt> où <nr2> est en A.
OVP<n>?	renvoie le réglage de déclenchement de tension – la réponse est VP<n> <nr2><rmt> où <nr2> est en Volts
OCP<n>?	renvoie le réglage de déclenchement d'intensité – la réponse est CP<n> <nr2><rmt> où <nr2> est en A.
V<n>O?	renvoie la tension de collationnement de la sortie <n> – la réponse est <nr2>V<rmt> où <nr2> est en Volts
I<n>O?	renvoie l'intensité de collationnement de la sortie <n> – la réponse est <nr2>A<rmt> où <nr2> est en A
IRANGE<n> <nrf>	Définit l'intervalle de courant de la sortie <n> sur <nrf>, lorsque <nrf> est 1 pour l'intervalle Low, 2 pour l'intervalle High. La sortie doit être désactivée avant de modifier l'intervalle de courant.
IRANGE<n>?	Indique l'intervalle de courant pour la sortie <n>. La réponse est <nr1><rmt>, où e <nr1> est 1 pour l'intervalle Low, 2 pour l'intervalle High.
DELTA V<n> <nrf>	règle la taille de pas de tension de sortie <n> à <nrf> Volts
DELTA I<n> <nrf>	règle la taille de pas d'intensité de sortie <n> à <nrf> A
DELTA V<n>?	renvoie la taille de pas de tension de sortie <n> – la réponse est DELTA V<n> <nr2><rmt> où <nr2> est en Volts.
DELTA I<n>?	renvoie la taille de pas d'intensité de sortie <n> – la réponse est DELTA I<n> <nr2><rmt> où <nr2> est en A.
INCV<n>	incrémente la tension de sortie <n> de la taille du pas
INCV<n>V	incrémente la tension de sortie <n> de la taille du pas avec vérification
DECV<n>	décrémente la tension de sortie <n> de la taille du pas
DECV<n>V	décrémente la tension de sortie <n> de la taille du pas avec vérification

INCI<n>	incrémente la limite d'intensité de sortie <n> de la taille du pas
DECI<n>	décrompte la limite d'intensité de sortie <n> de la taille du pas
OP<n> <nrf>	règle la commande on/off de sortie <n> où <nrf> a la signification suivante: 0=OFF, 1=ON.
OPALL <nrf>	Règle simultanément toutes les sorties en marche/arrêt lorsque <nrf> a la signification suivante : 0=Tout OFF, 1=Tout ON. L'action sur cet instrument est la même qu'OP<n> <nrf>. Si OPALL active toutes les sorties, alors celles qui étaient déjà actives le resteront. Si OPALL désactive toutes les sorties alors celles qui étaient déjà coupées le resteront.
OP<n>?	Renvoie sortie <n> statut on/off. La réponse est <nr1><rmt> où 1 = ON, 0 = OFF.
TRIPRST	tente de supprimer toutes les conditions de déclenchement
LOCAL	Passé en local. Cela ne débloquent aucun verrou d'interface actif de sorte que le verrou reste avec l'interface sélectionnée, lorsque la commande distante suivante est reçue.
IFLOCK	Demande le verrou d'interface. Cette commande exige un contrôle d'accès exclusif de l'instrument. La réponse est 1 en cas de succès ou -1 si le verrou n'est pas disponible soit parce que cela est déjà utilisé soit parce que l'utilisateur a désactivé cette interface depuis la prise de contrôle à l'aide de l'interface web
IFLOCK?	Demande le statut du verrou d'interface. La valeur de retour est 1 si le verrou est détenu par l'instance interfacée faisant la requête ; 0 s'il n'y a pas de verrou actif ou -1 si le verrou est indisponible soit parce qu'il est déjà utilisé, soit parce que l'utilisateur a désactivé cette interface depuis la prise de contrôle à l'aide de l'interface web.
IFUNLOCK	Débloquent le verrou si possible. Cette commande renvoie la valeur 0 en cas de succès. En cas d'échec de cette commande, -1 est renvoyé, 200 est indiqué dans le Registre d'exécution, et bit 4 du Event Status Register est défini en indiquant qu'il n'y a pas d'autorité de débloquent le verrou.
LSR<n>?	interroge et efface LSR<n>, registre d'état limite <n> – la réponse est <nr1><rmt>. Voir la section Reporting de statut pour plus de détails.
LSE<n> <nrf>	règle la valeur de LSE1, registre d'activation d'état limite <n>, à <nrf>
LSE<n>?	renvoie la valeur de LSE1, registre d'activation d'état limite<n> – réponse : <nr1><rmt>
SAV<n> <nrf>	Sauvegarde de la configuration actuelle du générateur <n> dans la mémoire de configuration numéro <nrf> où <nrf> peut aller de 0 à 9.
RCL<n> <nrf>	rappel d'une configuration du générateur <n> contenue dans la mémoire de configuration numéro <nrf> où <nrf> peut aller de 0 à 9.
RATIO <nrf>	Définit le ratio de la sortie 2 (esclave) sur la sortie 1 (maître) en mode de suivi sur <nrf>, où <nrf> est le ratio en pourcentage (0 à 100). Aucune action sur cet instrument.
RATIO?	Demande le ratio de la sortie 2 (esclave) sur la sortie 1 (maître) en mode de suivi. La réponse est <nrf>, où <nrf> est le ratio en pourcentage (0 à 100). Aucune action sur cet instrument.

Commandes système et commandes d'état

*CLS	Clear Status. Efface la structure de statut. Ceci vide indirectement le Status Byte Register.
EER?	Interroge et vide Execution Error Register. Format de la réponse: nr1<rmt>.
*ESE <nrf>	Réglage du Standard Event Status Enable Register à la valeur de <nrf>.
*ESE?	Renvoi de la valeur dans le Standard Event Status Enable Register sous format numérique <nr1>. Syntaxe de la réponse: <nr1><rmt>
*ESR?	Renvoi de la valeur dans le Standard Event Status Register sous format numérique <nr1>. Le registre est maintenant vidé. La réponse est <nr1><rmt>. Voir la section reporting de statut pour plus de détails.
*IST?	Renvoi du message local ist comme défini par la norme IEEE 488.2. Syntaxe de la réponse : 0<rmt>, si le message local est faux, ou 1<rmt>, si le message local est vrai.
*OPC	Réglage du bit Operation Complete bit (bit d'exécution d'opération) (bit 0) dans le Standard Event Status Register. Ceci se produira immédiatement après exécution de la commande par suite de la nature séquentielle de toutes les opérations.
*OPC?	Interroge l'état Operation Complete. Syntaxe de la réponse: 1<rmt>. La réponse sera disponible immédiatement après exécution de la commande, par suite de la nature séquentielle de toutes les opérations.
*PRE <nrf>	Réglage du Parallel Poll Enable Register à la valeur <nrf>.
*PRE?	Renvoi de la valeur dans le Parallel Poll Enable Register sous format numérique <nr1>. Syntaxe de la réponse <nr1><rmt>
QER?	Interroge et vide Query Error Register. Format de réponse: nr1<rmt>
*RST	Réinitialise l'instrument sur les paramètres à distance par défaut, à l'exception de tous les paramètres distants de l'interface, des réglages enregistrés, des valeurs Vmin/Vmax et de l'état de sortie au réglage de la mise en marche (Voir le paragraphe Remote Operation Defaults (Défauts de fonctionnement à distance) dans la section Remote Interface Operation (Fonctionnement de l'interface à distance)).
*SRE <nrf>	Réglage du Service Request Enable Register à <nrf>.
*SRE?	Renvoi de la valeur du Service Request Enable Register sous format numérique <nr1>. Syntaxe de la réponse: <nr1><rmt>
*STB?	Renvoi de la valeur du Status Byte Register sous format numérique <nr1>. Syntaxe de la réponse: <nr1><rmt>
*WAI	Attendre que l'opération soit entièrement terminée. Comme toutes les commandes sont entièrement exécutées avant le démarrage de la commande suivante, cette commande ne joue pas de rôle supplémentaire.

Commandes diverses

*IDN?	Renvoi de l'identification de l'instrument. La réponse exacte est déterminée par la configuration de l'instrument et elle est sous forme <NOM>,<modèle>, n° de série, <version><rmt> où <NOM> est le nom du constructeur, <modèle> définit le type d'instrument, Le numéro de série est le numéro de série unique et <version> le niveau de révision du logiciel installé. Le format de <version> est X.xx – Y.yy où X.xx est la révision du firmware de l'instrument principal et Y.yy est la révision du firmware de la carte d'interface. Le firmware de l'interface est adaptable dans le champ utilisateur via le port USB.
ADDRESS?	Renvoi de l'adresse bus de l'instrument. Il s'agit de l'adresse utilisée par GPIB, si elle est équipée, ou il peut être utilisé comme identifiant général sur les autres interfaces.
CONFIG?	Indique le mode de fonctionnement défini par le commutateur MODE du panneau avant. La syntaxe de la réponse est <nr1><rmt>, où <nr1> est 1 pour les unités de canal unique et les unités doubles fonctionnant en mode parallèle, 2 pour les unités doubles avec les deux canaux fonctionnant indépendamment et 0 pour les unités doubles en mode de suivi.
DAMPING<n> <nrf>	Définit la moyenne de la mesure du compteur de courant (I_{AVG}) de la sortie <n> où <nrf> a la signification suivante : 0 = OFF, 1 = ON.
NOLANOK <nrf>	Désactive le message LAN Err lorsqu'aucune connexion LAN n'est détectée à l'allumage si <nrf> est 1 et active le message si <nrf> est 0.
*TST?	Le générateur ne dispose pas de capacité d'essais automatiques et la réponse est toujours 0 <rmt>
*TRG	Le générateur ne dispose pas de capacité de déclenchement. La commande est acceptée mais n'exécute aucune action.

Messages d'erreur

Chaque message porte un numéro ; seul ce numéro est signalé via les interfaces de télécommande. Les numéros de messages d'erreur ne sont pas affichés mais placés dans l'Execution Error Register où ils peuvent être lus via les interfaces distantes, voir la section Rapport d'état.

Le Constructeur ou ses agents à l'étranger répareront tout bloc qui tombe en panne. Si le propriétaire de l'appareil décide d'effectuer ses propres réparations, ceci doit uniquement être effectué par un personnel spécialisé qui doit se référer au manuel de révisions que l'on peut se procurer directement auprès du Constructeur ou de ses agents à l'étranger.

Nettoyage

S'il faut nettoyer le bloc d'alimentation, utiliser un chiffon légèrement imbibé d'eau ou d'un détergent doux. Nettoyer le cadran d'affichage au moyen d'un chiffon sec et doux.

AVERTISSEMENT! EMPECHER TOUTE INTRODUCTION D'EAU DANS LE BOITIER AFIN D'EVITER TOUT CHOC ELECTRIQUE ET DEGATS AU BLOC D'ALIMENTATION. NE JAMAIS UTILISER DE DISSOLVANTS POUR NETTOYER LE BLOC, AFIN D'EVITER D'ENDOMMAGER LE BOITIER OU LE CADRAN D'AFFICHAGE.

Dieses Gerät wurde nach der Sicherheitsklasse (Schutzart) I der IEC-Klassifikation und gemäß den europäischen Vorschriften EN61010-1 (Sicherheitsvorschriften für elektrische Mess-, Steuer-, Regel- und Laboranlagen) entwickelt. Es handelt sich um ein Gerät der Installationskategorie II, das für den Betrieb von einer normalen einphasigen Versorgung vorgesehen ist.

Das Gerät wurde gemäß den Vorschriften EN61010-1 geprüft und wurde in sicherem Zustand geliefert. Die vorliegende Anleitung enthält vom Benutzer zu beachtende Informationen und Warnungen, die den sicheren Betrieb und den sicheren Zustand des Gerätes gewährleisten.

Dieses Gerät ist für den Betrieb in Innenräumen der Umgebungsklasse 2, für einen Temperaturbereich von +5° C bis +40° C und 20 - 80 % relative Feuchtigkeit (nicht kondensierend) vorgesehen. Gelegentlich kann es Temperaturen zwischen –10°C und +5°C ausgesetzt sein, ohne dass seine Sicherheit dadurch beeinträchtigt wird. Betreiben Sie das Gerät jedoch auf keinen Fall, solange Kondensation vorhanden ist.

Ein Einsatz dieses Gerätes in einer Weise, die für diese Anlage nicht vorgesehen ist, kann die vorgesehene Sicherheit beeinträchtigen. Auf keinen Fall das Gerät außerhalb der angegebenen Nennversorgungsspannungen oder Umgebungsbedingungen betreiben.

WARNUNG! - DIESES GERÄT MUSS GEERDET WERDEN!

Jede Unterbrechung des Netzschutzleiters innerhalb oder außerhalb des Gerätes macht das Gerät gefährlich. Eine absichtliche Unterbrechung ist verboten. Die Schutzwirkung darf durch Verwendung eines Verlängerungskabels ohne Schutzleiter nicht aufgehoben werden.

Ist das Gerät an die elektrische Versorgung angeschlossen, so können die Klemmen unter Spannung stehen, was bedeutet, dass beim Entfernen von Verkleidungs- oder sonstigen Teilen (mit Ausnahme der Teile, zu denen Zugang mit der Hand möglich ist) höchstwahrscheinlich spannungsführende Teile bloßgelegt werden. Vor jeglichem Öffnen des Geräts zu Nachstell-, Auswechsel-, Wartungs- oder Reparaturzwecken, dieses stets von sämtlichen Spannungsquellen abklemmen. Kondensatoren in der Stromversorgung können auch noch nach Abschalten sämtlicher Stromversorgungen Spannung führen, sie entladen sich jedoch innerhalb von etwa einer Minute nach Spannungsabschaltung.

Jegliche Nachstellung, Wartung und Reparatur am geöffneten, unter Spannung stehenden Gerät, ist nach Möglichkeit zu vermeiden. Falls unvermeidlich, sollten solche Arbeiten nur von qualifiziertem Personal ausgeführt werden, das sich der Gefahren bewusst ist.

Ist das Gerät eindeutig fehlerbehaftet, bzw. wurde es mechanisch beschädigt, übermäßiger Feuchtigkeit oder chemischer Korrosion ausgesetzt, so können die Schutzeinrichtungen beeinträchtigt sein, weshalb das Gerät aus dem Verkehr zurückgezogen und zur Überprüfung und Reparatur eingesandt werden sollte.

Sicherstellen, dass nur Sicherungen der vorgeschriebenen Stromstärke und des vorgesehenen Typs als Ersatz verwendet werden. Provisorische "Sicherungen" und der Kurzschluss von Sicherungshaltern ist verboten. Beim Reinigen darauf achten, dass das Gerät nicht nass wird.

Am Gerät werden folgende Symbole verwendet:



Achtung – Gefahr. Lesen Sie bitte die Dokumentation (dieses Handbuch), um die Art der möglichen Gefahr und etwaige Gegenmaßnahmen herauszufinden.



Erdungsklemme



Netz OFF (aus)



Netz ON (ein)



Wechselstrom

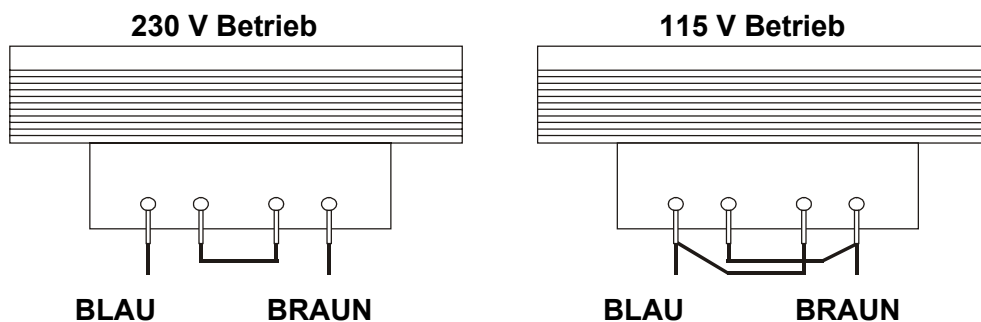


Gleichstrom

Netzbetriebsspannung

Prüfen Sie, dass die an der Geräterückplatte angezeigte Netzspannung Ihrem lokalen Netz entspricht. Sollte es erforderlich sein, die Betriebsspannung zu ändern, gehen Sie wie folgt vor:

1. Stellen Sie sicher, dass das Gerät von der Netzstromversorgung getrennt ist.
2. Entfernen Sie die Plastikdrucknieten an allen Seitenkanten des Deckels. Nehmen Sie einen kleinen Schraubendreher zur Hand, um zuerst den Nietkopf und danach die gesamte Niethülse herauszuhebeln. Entfernen Sie die beiden Schrauben auf der Rückwand zur Befestigung des Deckels - schieben Sie dann den Deckel nach hinten und nehmen Sie ihn ab.
3. Ändern Sie die Transformatoranschlüsse (beider Trafos im Falle des Doppelnetzgeräts) nach folgender Zeichnung:



4. Die Wiedermontage erfolgt in umgekehrter Reihenfolge zum Ausbau. Um den Sicherheitsvorschriften zu entsprechen, muss die auf der Rückwand angegebene Betriebsspannung so geändert werden, dass die neue Einstellung der Betriebsspannung deutlich zu erkennen ist.

Sicherung

Die Wechselstromsicherung befindet sich im Sicherungsfach im unteren Teil des IEC Netzsteckers. Verwenden Sie eine Sicherung vom Typ 20 x 5 mm 250V HBC, träge, mit folgenden Werten:

230V operation : 1.6A (T)

115V operation : 3.15A (T)

Sicherstellen, dass nur Sicherungen des vorgeschriebenen Stromwerts und des vorgesehenen Typs als Ersatz verwendet werden. Provisorische „Sicherungen“ und das Überbrücken von Sicherungshaltern sind verboten!

Netzkabel

Schließen Sie das Gerät unter Verwendung des mitgelieferten Netzkabels an die Wechselspannungsversorgung an. Falls ein Netzstecker für eine unterschiedliche Netzsteckdose erforderlich ist, muss ein geeigneter und zugelassener Netzkabelsatz verwendet werden, der mit dem geeigneten Wandstecker und einem IEC60320 C13-Stecker für das Geräteende versehen ist. Zur Bestimmung der Mindest-Nennstromstärke des Kabelsatzes für die beabsichtigte Wechselspannungsversorgung sind die Informationen zu Leistungswerten auf dem Gerät bzw. in seiner Spezifikation hinzuzuziehen.

ACHTUNG! DIESES GERÄT MUSS GEERDET SEIN.

Jegliche Unterbrechung der Netzerde, ob im Innern oder außerhalb des Geräts, macht das Gerät zur Gefahrenquelle! Eine absichtliche Unterbrechung ist verboten!

Befestigung

Dieses Gerät kann auf einer Arbeitsplatte oder in einem Gestell befestigt werden. Ein Rack-Montagesatz für ein 19"-Rack ist vom Hersteller oder einem Fachhändler erhältlich.

Belüftung

Das Gerät wird mittels intelligenter Gebläse mit stufenweiser Drehzahlregelung gekühlt, um so die Vertikalkonvektion zu unterstützen. Es muss sichergestellt werden, dass die Luftein- und -auslässe auf der Unter- und Oberseite des Geräts nicht blockiert werden. Bei Geräten, die im Rack montiert sind, muss genügend Raum um das Gerät gelassen werden und/oder eine Zwangskühlung mittels eines zusätzlichen Ventilators eingesetzt werden.

Anschlüsse

Anschlüsse auf der Gerätevorderseite

Die Last sollte an die mit OUTPUT (Ausgang) gekennzeichneten positiven (roten) und negativen (schwarzen) Klemmen angelegt werden. Beide Klemmen sind galvanisch getrennt und können daher an Erde gelegt werden.

Die Fernfühleranschlüsse für die Last (falls gewünscht) erfolgen über die entsprechenden Plus- (+) und Minus (-) SENSE Klemmen. Setzen Sie den Schalter LOCAL/REMOTE auf REMOTE, wenn die Fernfühlerfunktion eingesetzt werden soll. Setzen Sie den Schalter auf LOCAL zurück, wenn die Fernfühlerfunktion nicht verwendet wird.



Achtung! Spannungen über 70 VDC sind nach EN 61010-1 lebensgefährlich. Daher ist bei Netzteilspannungen über diesem Wert äußerst vorsichtig vorzugehen.

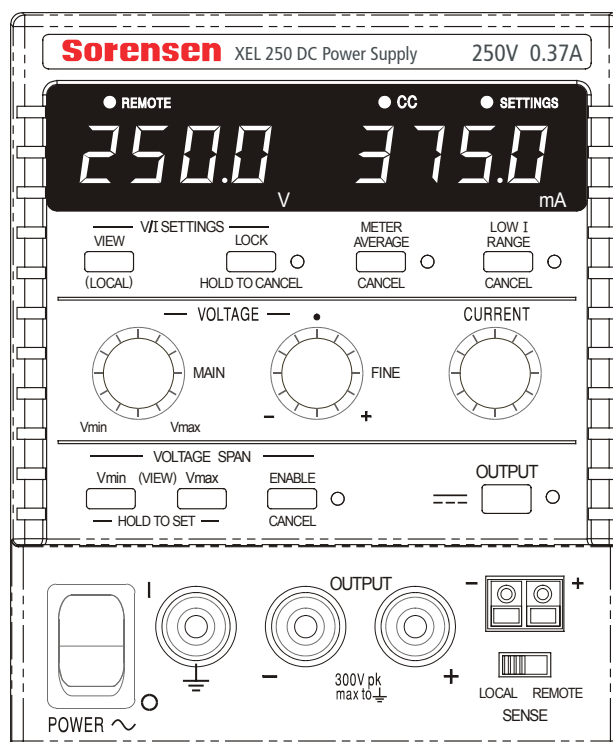
Die Universal-Sicherheitsanschlussklemmen am Ausgang entsprechen den Anforderungen für verstärkte Isolierung bei Spannungen bis 250 VDC, da Kriechweg und Abstand zu den Anschlusskontakten auch bei vollständig geöffneten Anschlussklemmen >2,5 mm betragen. Es wird jedoch sehr empfohlen, die Anschlussklemmen immer ganz anzuziehen und **Anschlüsse nur mit Kabeln auszuführen, die mit 4 mm Sicherheitssteckern und fester Ummantelung ausgestattet sind.**



Der Anschluss an die Fernfühlerklemmen erfolgt bei gedrückter Federklemme durch Einführen des blanken Endes des Fernfühlerkabels in den Kontakt und anschließendes Loslassen, um das Kabel zu arretieren. Achten Sie darauf, dass das blankende Drahtende vollständig eingeführt ist und nicht berührt werden kann. **Anschlüsse am Gerät nur bei abgeschaltetem OUTPUT ausführen.**

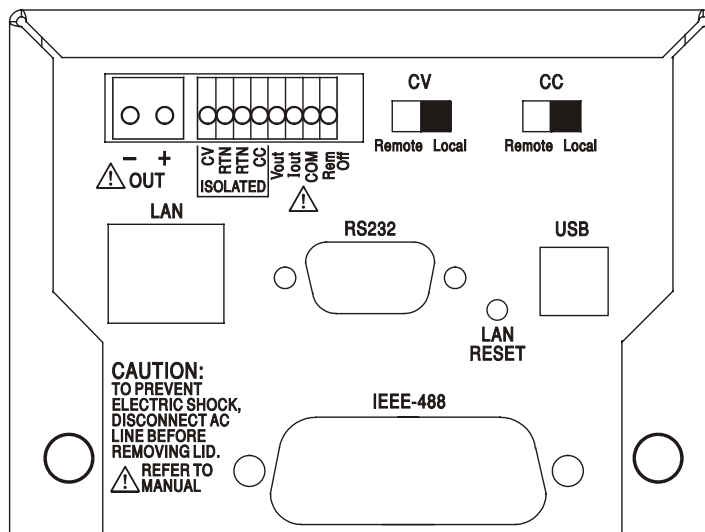
Die mit  markierte Klemme ist mit dem Gehäuse und dem Schutzleiter verbunden.

ABBILDUNG DER FRONTPLATTE



Anschlüsse an der Geräterückseite

Nicht programmierbare Modelle besitzen keine Anschlüsse auf der Rückseite. Die rückseitigen Anschlüsse der programmierbaren Geräte werden in der folgenden Abbildung gezeigt:



Hauptausgangs- und Fernfühlerklemmen

Die Ausgangsklemmen sind auch auf der Rückseite vorhanden. Aufgrund mangelnder Beschriftungsfläche sind die Anschlüsse mit + und – in der Gruppe OUT markiert. Diese Anschlüsse sind mit ihren Äquivalenten auf der Gerätefront parallel geschaltet.

Fernfühleranschlüsse sind auf der Rückseite nicht vorhanden. Werden diese benötigt, so können die Fernfühleranschlüsse auf der Vorderseite verwendet werden. Setzen Sie den Schalter LOCAL/REMOTE auf REMOTE, wenn die Fernfühlerfunktion eingesetzt werden soll. Bei Verwendung der rückseitigen Ausgänge empfiehlt es sich die Fernfühlerfunktion zu nutzen, um eine stabile Ausgangsspannung zu gewährleisten. Setzen Sie den Schalter auf LOCAL zurück, wenn die Fernfühlerfunktion nicht verwendet wird.

Analogfernsteuerung

Die Anschlüsse CV und CC ermöglichen die Analogsteuerung der Ausgangsspannung und der Strombegrenzung, wenn die Schiebeschalter CV und CC auf Remote eingestellt sind. Diese Eingänge und das gemeinsame Rückleitersignal (RTN) sind vom Ausgang isoliert. Die Isolationsspannung in Bezug auf den Ausgang beträgt max. 300 V. Die Eingangsskalierung kann unabhängig durch interne Brücken auf 0-5 Volt (Werksvoreinstellung) oder auf 0-10 Volt gestellt werden, um jeweils 0 bis 100% des Maximalwerts zu erreichen. Die maximal zulässige Eingangsspannung beträgt 60 V. CV und CC können einzeln oder zusammen verwendet werden.

Setzen Sie die Schalter CV und CC auf LOCAL zurück, wenn die Fernfühlerfunktion nicht verwendet wird.

Analogausgang

Die Anschlüsse V_{OUT} und I_{OUT} sind Analogausgänge mit der jeweils eingestellten Ausgangsspannung bzw. Strombegrenzung. Die Skalierung ist auf 0 bis 5 Volt entsprechend 0 bis 100% des Maximalausgangswerts festgelegt. V_{OUT} und I_{OUT} sind an den Klemmen immer vorhanden, ganz gleich, ob das Gerät im lokalen oder ferngesteuerten Modus betrieben wird.



Achtung! COM bezieht sich auf die Ausgangssteuerschaltung und liegt innerhalb von ~1 V der positiven Ausgangsspannung. V_{OUT} und I_{OUT} liegen immer an den Klemmen an.



Legen Sie keine externe Spannung an diese Klemmen an.

Remote Ein/Aus (nur programmierbare Einzelgeräte)

Durch Schließen eines Schalters oder ein „Low“ Signal an den Anschlüssen REM OFF und COM wird der Ausgang abgeschaltet. Das COM Rücklaufsignal bezieht sich auf den positiven Ausgang des Netzgeräts.



Achtung! COM bezieht sich auf die Ausgangssteuerschaltung und liegt innerhalb von ~1 V der positiven Ausgangsspannung.



Legen Sie keine externe Spannung an diese Klemmen an.

RS232

9-pol. D-Buchse mit den unten beschriebenen Pin-Belegungen. Kann mithilfe eines vollverdrahteten Kabels (männlich-weiblich 1:1) ohne überkreuzende Verbindungen an einen standardmäßigen PC-Port angeschlossen werden.

Pin	Bez.	Beschreibung
1	RI	Passive Bestimmung (+V durch 10 k Ω)
2	TXD	Übertragungsdaten vom Gerät
3	RXD	Empfangsdaten zum Gerät
4	CTS	
5	GND	Signalmasse
6	RTS	Passive Bestimmung (+V durch 10 k Ω)
7	DSR	Keine interne Verbindung
8	DTR	
9	CD	Keine interne Verbindung

Signalmasse ist mit Gerätemasse verbunden.

USB

Der USB-Port ist an die Geräteerde angeschlossen. Er entspricht USB 2.0 (Full Speed) und akzeptiert ein standardmäßiges USB-Kabel. Falls der USB als aktuelle Schnittstelle ausgewählt wurde, sollte die Plug-and-Play-Funktion von Windows automatisch erkennen, dass das Gerät angeschlossen worden ist. Falls der korrekte Treiber nicht gefunden wird, befolgen Sie bitte die Windows-Aufforderungen auf dem Bildschirm und installieren Sie die benötigten Dateien von der mitgelieferten CD.

LAN

Die LAN-Schnittstelle entspricht LXI (Lan eXtensions for Instrumentation) Version 1.2; das Gerät ist Class C konform. Eine Fernsteuerung über die LAN-Schnittstelle ist über das TCP/IP Sockets Protokoll möglich. Das Gerät enthält auch einen einfachen Web-Server mit Informationen zum Gerät, der eine Konfiguration ermöglicht. Da es durchaus möglich ist die LAN-Schnittstelle derart falsch zu konfigurieren, dass ein Datenaustausch per LAN nicht mehr möglich ist, besitzt das Gerät auf der Rückseite einen versenkten Schalter mit der Bezeichnung LAN RESET, sodass ein Zurücksetzen auf die Werksvoreinstellung mithilfe des LCI (LAN Configuration Initialize) Mechanismus möglich ist.

Weitere Details entnehmen Sie bitte dem Abschnitt „Ferngesteuerter Betrieb“. Weitere Informationen zu den LXI Normen finden Sie auf www.lxistandard.org/home

GPIB (Werksoption nur bei programmierbaren Modellen)

Die GPIB Signalerde ist mit Geräteerde verbunden. Folgende Befehlssätze stehen zur Verfügung:

SH1 AH1 T6 TE0 L4 LE0 SR1 RL2 PP1 DC1 DT0 C0 E2

Die GPIB-Adresse wird von der Gerätevorderseite aus gesetzt.

In diesem Bedienungshandbuch sind die Tasten, Steuerelemente und Buchsen auf der Frontplatte in Großbuchstaben dargestellt, z. B. CURRENT, OUTPUT und LOCK. Meldungen auf den 7-Segment LEDs werden in einer anderen Schriftart angegeben, z. B.: **turn oFF**, **oTP trip**.

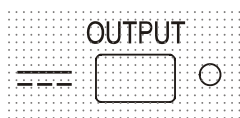
Einschalten und Einschaltzustand

Der Netzschalter befindet sich unten links auf der Gerätevorderseite. Nach dem Betätigen des Netzschalters (I) wird auf der rechten Anzeige kurz die Firmware-Version angezeigt, gefolgt von der Spannungs- und Stromanzeige.

Bei programmierbaren XEL-P Modellen verläuft die Anzeigesequenz beim Einschalten anders: Die rechte Anzeige zeigt kurz die Firmware-Versionen von Gerät und Schnittstelle an (**IF** erscheint auf der linken Anzeige), gefolgt von der Spannungs- und Stromanzeige. Wurde nach ein paar Sekunden keine physische LAN-Verbindung erkannt, blinkt das Display 10 Sekunden lang abwechselnd mit der normalen Strom-/Spannungsanzeige und der Meldung **LAN Err**. Die Anzeige einer fehlenden LAN-Verbindung ist eine wesentliche LXI Anforderung, kann aber mit dem Befehl 'NOLANOK 1' über eine beliebige Schnittstelle deaktiviert werden (weitere Einzelheiten hierzu finden Sie im Abschnitt „LAN Fehler“ im Kapitel „Bedienung der Fernschnittstelle“). Diese Änderung der Starteinstellungen nach dem Einschalten bleibt erhalten, bis der Befehl 'NOLANOK 0' gegeben wird oder die Werksvoreinstellung für die LAN-Einstellungen durch den LAN RESET Schalter auf der Rückseite wiederhergestellt wird (siehe hierzu den Abschnitt zu LAN im Kapitel „Bedienung der Fernschnittstelle“).

Beachten Sie bitte, dass die Anzeigeeinformationen den eigentlichen Betrieb des Netzteils nicht berühren.

Beim Einschalten ist das Gerät vom Werk aus so eingerichtet, dass der Ausgang abgeschaltet ist. Die Werte für Ausgangsspannung und Strom hängen von den jeweiligen Steuereinstellungen ab und werden auf dem Display angezeigt. Alle anderen Einstellungen entsprechen dem Zustand vor dem letzten Abschalten des Geräts.



Der Gleichspannungsausgang kann so eingerichtet werden, dass er beim Einschalten des Geräts entweder immer ausgeschaltet ist oder den Zustand vor dem letzten Ausschalten des Geräts annimmt. Diese Einstellung kann wie folgt geändert werden: Bei gedrückter VIEW Taste, die Taste **OUTPUT** drücken und halten – auf dem Display erscheint nun 1 Sekunde lang die aktuelle Einstellung (**OP OFF** falls die Werksvoreinstellung gewählt ist).

Anschließend zeigt das Display 2 Sekunden lang blinkend die neue Einstellung an (**LAST Set** in diesem Fall). Nach 2 Sekunden wird die neue Einstellung kontinuierlich angezeigt und die Änderung durchgeführt. Geben Sie nun die Tasten OUTPUT und VIEW frei.

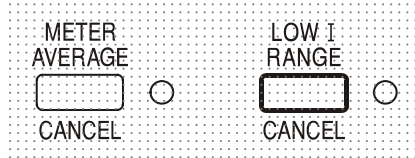
Wenn Sie diesen Vorgang wiederholen wird die Einstellung wieder rückgängig gemacht.

Ausgangsregelung

Einrichten des Ausgangs

Bei eingeschalteter Stromversorgung und ausgeschaltetem **OUTPUT** (Ausgang) können Sie die Spannungs- und Strombegrenzung mit den Reglern VOLTAGE und CURRENT präzise regeln. Die linke Anzeige zeigt die eingestellte Spannung und die rechte Anzeige den maximalen Strom an - die SETTINGS Anzeige leuchtet auf.

Bei eingeschaltetem Ausgang leuchtet die OUTPUT Anzeige auf – das linke Messinstrument zeigt jetzt die tatsächliche Spannung und das rechte Messinstrument den aktuellen Laststrom.



Der obere Grenzwert für den CURRENT Regler kann durch abwechselndes Drücken der LOW I RANGE Taste zwischen dem Maximalwert für dieses Gerät und 75mA umgeschaltet werden, um so eine Feineinstellung der Strombegrenzung und der Messauflösung (0,01mA bis zu 75 mA) zu erreichen.

Die Anzeige neben der Taste leuchtet auf, wenn der Bereich gewählt ist. Um den Strombegrenzungsbereich ändern zu können, muss der Ausgang abgeschaltet werden - sollte der Ausgang noch eingeschaltet sein, erscheint kurz die Meldung **turn OFF** im Display, die OUTPUT Anzeige blinkt und der Bereich bleibt unverändert.

Konstantspannung

Die Ausgangsspannung wird mit den VOLTAGE Grob- und Feinreglern geregelt; mit dem Regler CURRENT wird der Maximalstrom eingestellt.

Konstantstrom

Wenn der Lastwiderstand so niedrig ist, dass bei der gewählten Ausgangsspannung ein höherer Strom fließen würde, als durch die Strombegrenzung vorgegeben, so schaltet das Netzgerät automatisch auf Konstantstrombetrieb. Der Ausgangsstrom wird mit dem CURRENT Regler eingestellt, während die VOLTAGE Regler die maximal erzeugte Spannung bestimmen.

Die Konstantstromanzeige (CC) leuchtet auf, um den Betrieb mit Konstantstrom anzuzeigen.

Momentanstrom

Mit Hilfe der Strombegrenzungsfunktion kann der Dauerausgangsstrom bis auf 0,1mA herab begrenzt werden (0,01 mA im 75mA Bereich). Wie bei allen Präzisionsnetzgeräten wird jedoch auch hier ein Kondensator am Ausgang parallel geschaltet, um eine stabile Ausgangsspannung und ein gutes dynamisches Verhalten zu gewährleisten. Dieser Kondensator lädt sich bis zur Höhe der Ausgangsspannung auf und erzeugt beim Anschließen einer Ausgangslast durch seine Entladung einen Stromimpuls, auf den die Strombegrenzung keinen Einfluss hat.

Mittelwerte der Stromstärkemessung



Um die Messschwankungen bei veränderlichen Lasten zu reduzieren, kann durch Drücken auf die Taste METER AVERAGE eine Zeitkonstante von 2 Sekunden gewählt werden – ist diese Funktion aktiviert, so leuchtet eine Anzeige neben der Taste auf. Drücken Sie die Taste erneut, um diese Mittelung zu annullieren und zur Standardzeitkonstante von 20 ms zurückzukehren.

Anschluss der Last

Die Last sollte an die mit OUTPUT gekennzeichneten positiven (rot) und negativen (schwarz) Klemmen angelegt werden. Beide Klemmen sind galvanisch getrennt und können daher an Erde gelegt werden.



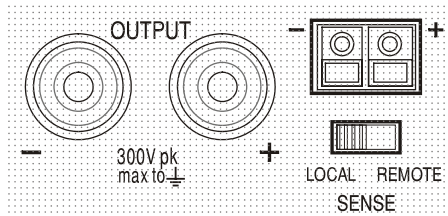
Achtung! Spannungen über 70 VDC sind nach EN 61010-1 lebensgefährlich. Daher ist bei Netzteilspannungen über diesem Wert äußerst vorsichtig vorzugehen.

Es wird sehr empfohlen den Anschluss nur mit Kabeln auszuführen, die mit 4 mm Sicherheitssteckern und fester Ummantelung ausgestattet sind. Achten Sie darauf, dass die angeschlossene Schaltung ausreichend isoliert ist. Zugängliche Teile der externen Schaltung dürfen unter normalen oder Störbedingungen keine lebensgefährliche Spannungen führen (siehe EN61010-1).

Anschlüsse am Gerät nur bei abgeschaltetem OUTPUT ausführen.

Fernfühlerfunktion

Der Fernfühler wird selten benötigt, da der maximale Ausgangsstrom des Geräts niedrig liegt. Aber selbst bei niedrigen Strömen kann sich durch den Widerstand der Anschlusskabel ein Unterschied zwischen der angezeigten Quellspannung und der tatsächlichen Lastspannung ergeben (zwei Anschlusskabel mit $200\text{ m}\Omega$ erzeugen z. B. bei einem Strom von 500 mA einen Spannungsabfall von $0,2\text{ V}$).



Dieses Problem lässt sich zwar durch Verwendung kurzer Anschlusskabel mit großem Querschnitt einschränken, es ist aber besser, diesen Effekt mit Hilfe der Fernfühlerfunktion ganz zu umgehen. Dazu müssen die Fernfühlerklemmen (Sense) an der Last anstelle der Spannungsquelle angeschlossen werden. Schließen Sie die Kabel an die Federklemmen des SENSE-Anschlusses und direkt an der Last an. Setzen Sie den Schalter LOCAL/REMOTE auf REMOTE.



Achtung! Spannungen über 70 VDC sind nach EN 61010-1 lebensgefährlich. Daher ist bei Netzteilspannungen über diesem Wert äußerst vorsichtig vorzugehen.

Achten Sie darauf, dass das blanke Drahtende vollständig eingeführt ist und nicht berührt werden kann.

Anschlüsse am Gerät nur bei abgeschaltetem OUTPUT ausführen.

Achten Sie darauf, dass die angeschlossene Schaltung ausreichend isoliert ist. Zugängliche Teile der externen Schaltung dürfen unter normalen oder Störbedingungen keine lebensgefährliche Spannungen führen (siehe EN61010-1).

Um Instabilität und dynamisches Fehlverhalten zu vermeiden muss darauf geachtet werden, dass eine gute Verbindung zwischen jedem Ausgangs- und Fernfühlerkabel besteht. Dies wird erreicht, indem man entweder die Kabel miteinander verdrillt oder ein abgeschirmtes Koaxialkabel verwendet (die Fernfühlerleitung bildet hierbei den Innenleiter). Auch ein zum Lastanschluss parallel geschalteter und entsprechend bemessener Elektrolytkondensator kann hilfreich sein. Der Spannungsabfall des jeweiligen Ausgangskabels darf $0,5\text{ Volt}$ nicht überschreiten.

Setzen Sie den LOCAL/REMOTE Schalter auf LOCAL zurück, wenn die Fernfühlerfunktion nicht verwendet wird.

Ausgangsklemmen und Fernfühlerfunktion bei programmierbaren Modellen

Alle programmierbaren Modelle besitzen zusätzliche Ausgangs- und Sense-Klemmen auf der Rückseite (nützlich beim Rack-Einbau). Ist eine Fernfühlerfunktion erforderlich, so können die Fernfühleranschlüsse auf der Vorderseite verwendet werden. Schließen Sie die Sense-Klemmen unter Beachtung obiger Empfehlungen an die Last an und setzen Sie den Schalter LOCAL/REMOTE auf REMOTE.

Wenn die rückseitigen Ausgangsklemmen ohne Einsatz der Fernfühlerfunktion verwendet werden ist unbedingt darauf zu achten, dass der Schiebeschalter auf der Vorderseite auf LOCAL gesetzt ist.

Serielle oder Parallelschaltung mit anderen Spannungsquellen

Der Ausgang des Netzgeräts ist galvanisch getrennt und kann mit anderen Netzgeräten in Reihe geschaltet werden, um hohe Gleichstromspannungen bis zu 300 V DC zu erzeugen.



Die maximal zulässige Spannung zwischen einer Anschlussklemme und Erde (\perp) beträgt 300 V DC



Warning! Spannungen über 70 VDC sind nach EN 61010-1 lebensgefährlich. Daher ist bei Netzteilspannungen über diesem Wert äußerst vorsichtig vorzugehen.

Anschlüsse am Gerät nur bei abgeschaltetem OUTPUT ausführen.

Zu beachten ist, dass das Gerät nur als Stromquelle dient und keine Ströme ableiten kann, d. h. es können keine gegenphasigen Geräte angeschlossen werden.

Das Gerät kann auch mit anderen Netzteilen parallel geschaltet werden, um eine höhere Stromabgabe zu erzielen. Werden mehrere Geräte parallel geschaltet, entspricht die Ausgangsspannung dem Gerät mit der höchsten Ausgangsspannung. Dies gilt nur, solange der Strombegrenzungswert des betreffenden Geräts nicht erreicht wird.

Ist dies der Fall, fällt die Ausgangsspannung auf die nächsthöchste Einstellung ab, usw. Bei Konstantstrombetrieb können mehrere Geräte parallel geschaltet werden, um einen Strom mit der Summe der jeweiligen Stromgrenzwerte bereitzustellen.

Schutzvorrichtungen

Der Ausgang ist eigensicher gegen Kurzschlüsse und zusätzlich durch eine Diode gegen Rückspannung geschützt. Diese Rückspannung darf 3 Ampere nicht überschreiten (Stromspitzen dürfen erheblich höher liegen). Falls die anliegende Rückspannung mehr Strom abgibt, als durch die Strombegrenzung eingestellt ist, schaltet der Ausgang (sofern aktiviert) auf Strombegrenzung (CC Anzeige blinkt) und zeigt im Display die Rückspannung an der Schutzdiode an. Ist der Ausgang deaktiviert, so blinkt lediglich die CC Anzeige.

Wie alle seriengeregelten, unsymmetrischen Netzgeräte kann auch dieses Gerät nicht stromziehend arbeiten. Wird eine Spannung von einer externen Quelle angelegt, die höher liegt als die eingestellte Ausgangsspannung, so schaltet sich die interne Regelung ab, sodass keine Strom mehr fließen kann. Wenn der Ausgang eingeschaltet ist zeigt das Messinstrument die angelegte Spannung an. Eine Beschädigung findet nicht statt, vorausgesetzt die angelegte Spannung überschreitet die maximale Ausgangsspannung des Netzgeräts um nicht mehr als 20 Volt.

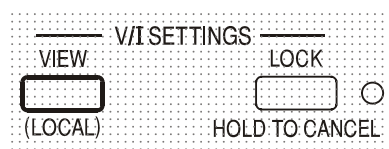
Bei ausgeschaltetem OUTPUT und weiterhin angeschlossener Last wird die Ausgangsspannung einfach auf Null gesetzt. Legen Sie keine externen Spannungen an den Klemmen des Netzgeräts an, die mehr als 20 V über der Nennausgangsspannung liegen, da sonst selbst bei ausgeschaltetem Ausgang Schäden möglich sind.

Übertemperaturschutz

Ein integrierter Sensor erkennt Übertemperaturen aufgrund von blockierter Luftströmung, Lüfterausfall oder einem Schaltungsfehler. Bei Übertemperatur wird der Ausgang abgeschaltet – die OUTPUT Anzeige blinkt und auf dem Display erscheint die Meldung **otP triP**. Nachdem die Ursache für die Übertemperatur behoben wurde und das Gerät abgekühlt ist, geht die Ausgangsanzeige aus - die Meldung **otP triP** wird jedoch weiterhin angezeigt. Wenn Sie die Taste OUTPUT einmal drücken zeigt das Display die voreingestellten Werte für Strom und Spannung an (die Anzeige SETTINGS leuchtet auf), der Ausgang bleibt jedoch abgeschaltet – erst beim zweiten Drücken der Taste wird der Ausgang normal eingeschaltet.

Wird die Taste OUTPUT gedrückt, während das Gerät Übertemperatur aufweist (Anzeige OUTPUT blinkt), wird die Meldung **otP triP** durch die Anzeige der voreingestellten Werte für Strom und Spannung ersetzt (die Anzeige SETTINGS leuchtet auf), der Ausgang bleibt jedoch abgeschaltet – bei jedem folgenden Drücken der Taste OUTPUT wird die Meldung **otP triP** kurz angezeigt, der Ausgang bleibt jedoch abgeschaltet, bis das Übertemperaturproblem beseitigt ist.

Einstellungen für das Display



Die eingestellten Spannungs- und Strombegrenzungswerte werden immer angezeigt, wenn der Ausgang abgeschaltet ist, können aber auch bei eingeschaltetem Ausgang eingesehen werden, wenn Sie die Taste VIEW drücken – die SETTINGS Anzeige leuchtet auf, während die VIEW Taste gedrückt ist.

Einstellungen für die Verriegelung

Durch Drücken der Taste LOCK wird die Strom- und Spannungsbegrenzung digital verriegelt. Die Einstellungen werden mit hoher Genauigkeit (besser als 1 Stelle) bei absoluter Stabilität gespeichert. Anschließende Veränderungen der Regler VOLTAGE und CURRENT bleiben wirkungslos.

Da eine Annullierung von LOCK zu einer Änderung der Ausgangseinstellungen führen würde (falls die Einstellung für VOLTAGE und CURRENT in der Zwischenzeit verändert wurde), erscheint eine Warnmeldung bevor die Funktion LOCK annulliert wird.

Hierzu die Taste gedrückt halten, um LOCK zu annullieren.

Bei abgeschaltetem Ausgang (sicherer Zustand) blinken die „unverriegelten“ Einstellungen zweimal kurz im Display auf, bevor die Änderung durchgeführt wird. Die LOCK Leuchte geht dann aus.



Wenn der Ausgang noch eingeschaltet ist blinkt die Meldung **OP on** (Ausgang Ein) zweimal im Display auf. Anschließend werden die neuen „unverriegelten“ Einstellungen 2 bis 3 Sekunden lang angezeigt (zuerst langsam, dann schneller), bevor die Änderung schließlich durchgeführt wird.

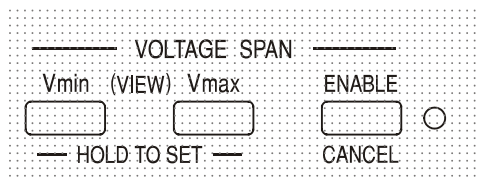
Die LOCK Anzeige geht aus, sobald die Änderung erfolgt ist. Beim Loslassen der Taste LOCK, während das Display blinkt, wird die Deaktivierung der LOCK Funktion abgebrochen.

Die Änderung des Strombegrenzungsbereichs (siehe „Einrichten des Ausgangs“) bzw. des Spannungsbereichs (siehe „Spannungsbereich“) bei aktivierter LOCK Funktion ist nicht gestattet – bei einem Versuch erscheint kurz die Meldung **Unloc** im Display und die LOCK Anzeige blinkt auf. Wird dieser Versuch bei eingeschaltetem Ausgang unternommen, erscheint zunächst die Meldung **turn OFF** im Display (zusammen mit blinkender Ausgangsanzeige), gefolgt von der Meldung **Unloc** (mit blinkender LOCK Anzeige).

Der LOCK Status beim Einschalten entspricht dem Zustand beim letzten Ausschalten.

Verwendung des Spannungsbereichs

Die Funktion VOLTAGE SPAN (**V-Span**) ermöglicht die Neudefinierung der Grenzwerte für die VOLTAGE Regler, sodass der Anwender die Regler nur in einem speziellen, begrenzten Spannungsbereich einstellen kann. Dies hat nicht nur den Vorteil, dass das versehentliche Anlegen einer falschen Spannung an die Last verhindert wird, sondern auch, dass sich der nun begrenzte Spannungsbereich unter voller Nutzung des Einstellbereichs von 300° mit dem Analogregler feinfühlicher einstellen lässt.



V-Span wird mit der Taste ENABLE aktiviert. Die ENABLE Lampe leuchtet auf, wenn V-Span gewählt ist. Der voreingestellte Wert ist $V_{\min} = 3V$, $V_{\max} = 5V$

Da sich bei der Aktivierung von V-Span immer die Ausgangsspannung ändert, kann diese Funktion nur bei ausgeschaltetem Ausgang aktiviert bzw. deaktiviert werden - beim Versuch V-Span bei eingeschaltetem Ausgang zu (de)aktivieren, erscheint kurz die Meldung **turn OFF** um den Anwender darauf aufmerksam zu machen, dass der Ausgang abgeschaltet werden muss.

Um neue Werte für V_{\min} oder V_{\max} einrichten zu können, muss die V-Span Funktion deaktiviert sein.

Die untere Spannungsgrenze wird mit den Reglern MAIN und FINE VOLTAGE exakt auf den gewünschten Wert gesetzt – dann die Taste V_{\min} gedrückt halten, bis das (V) Display auf der linken Seite aufhört zu blinken und das Display auf der rechten Seite (mA) **set** zeigt.

Die Einstellung kann durch kurzes Drücken (< 1 Sekunde) der Taste V_{\min} eingesehen werden. Die obere Spannungsgrenze kann mittels des VOLTAGE Regler und der Taste V_{\max} auf gleiche Weise eingestellt und kontrolliert werden.

Die Grenzwerte können in beliebiger Reihenfolge und innerhalb des Ausgangsbereichs des Geräts auf einen beliebigen Wert gesetzt werden – allerdings kann V-Span mit der Taste ENABLE nur dann aktiviert werden, wenn $V_{\max} \geq (V_{\min} + 0,1 \text{ V})$. Ist dies nicht gegeben, so erscheint kurz die Meldung **Set Err** und die Funktion V-Span wird nicht aktiviert.

Bei aktivierter V-Span Funktion umfasst der Regelbereich für den MAIN VOLTAGE Regler genau V_{\min} bis V_{\max} wenn sich der FINE Regler in der Mittenstellung befindet (auf dem Gerät mit einem • markiert). Mit dem FINE Regler kann eine zusätzliche Feinabstimmung von $\pm 1\%$ (des Spannungsbereichs) vorgenommen werden. Beachten Sie jedoch bitte, dass bei einer Einstellung von V_{\max} nahe an 250 V, der Feinregler die Spannung nicht über 250,0 V regeln kann.

Der V-Span Status beim Einschalten entspricht dem Zustand beim letzten Ausschalten.

Analogfernsteuerung (nur programmierbare Einzelgeräte)

Die Analogfernsteuerung von Ausgangsspannung und Strom ist über externe Steuerspannungen möglich, die an den Eingängen CV bzw. CC und Return (RTN) auf der Geräterückseite angelegt werden. Diese Eingänge sind vom Ausgang isoliert. Die Isolationsspannung in Bezug auf den Ausgang beträgt max. 300 V. Die Eingänge sind gegen Überspannungen bis zu 60 V geschützt.

Die Steuerspannungen V_{out} und I_{out} eines Master-Geräts können auch zur Steuerung eines Slave-Geräts über die CV bzw. CC Eingänge des Slave-Geräts verwendet werden.

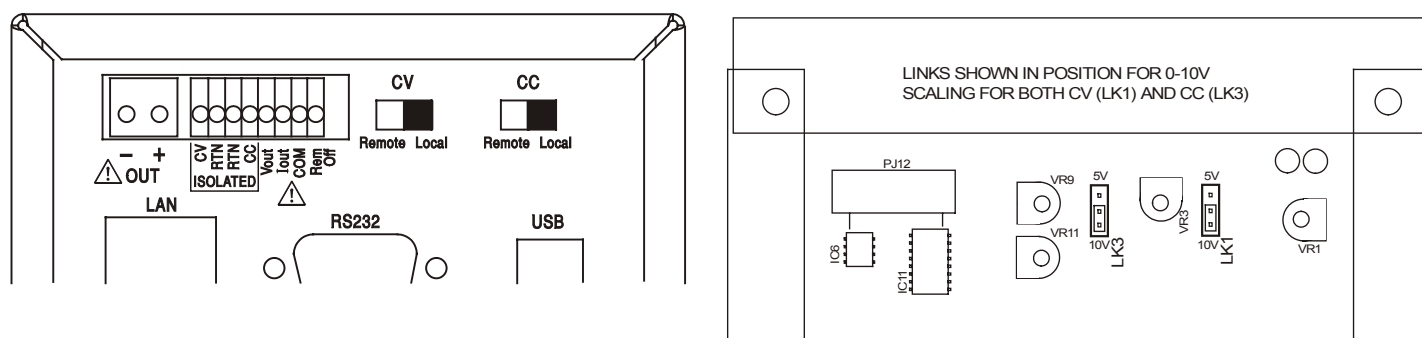
Analoge Spannungssteuerung

Die Fernsteuerung der Spannung erfolgt, indem der rückseitige Schalter CV auf REMOTE gesetzt, und eine Programmierspannung zwischen den Eingängen CV und RTN angelegt wird.

Wenn der CV Schalter auf REMOTE steht, sind die Spannungsregler auf der Vorderseite deaktiviert. Setzen Sie den Schalter auf LOCAL zurück, um die Spannung über die Regler auf der Vorderseite kontrollieren zu können.

Die Standardskalierung der Eingangsspannung liegt zwischen 0V und 5V, um 0 bis 100% der Nennausgangsspannung zu erreichen. Durch Ändern einer internen Brücke kann die Eingangsspannung auch auf den Bereich 0 V bis 10 V skaliert werden. Trennen Sie das Gerät von der Wechselstromversorgung und nehmen Sie den Deckel ab (siehe Anweisungen im Abschnitt „Installation“. Versetzen Sie die hohe Brücke LK1 auf den mittleren und '10V' Pin, anstatt auf Mitte und '5V' (siehe Draufsicht der folgenden Abbildung).

Die Spannungsfernsteuerung kann bei lokaler oder ferngesteuerter Strombegrenzung verwendet werden.



Analoge Stromsteuerung

Die Fernsteuerung des Konstantstroms erfolgt, indem der rückseitige Schalter CC auf REMOTE gesetzt, und eine Programmierspannung zwischen den Eingängen CC und RTN angelegt wird. Eine Fernsteuerung der Stromstärke ist nur im Hochstrombereich möglich, nicht niedrig Strombereich.

Wenn der CC Schalter auf REMOTE steht, ist der Stromstärkeregel auf der Vorderseite deaktiviert. Setzen Sie den Schalter auf LOCAL zurück, um wieder den Regler auf der Vorderseite benutzen zu können.

Die Standardskalierung der Eingangsspannung liegt zwischen 0V und 5V, um 0 bis 100% des Nennausgangsstroms zu erreichen (nur im Hochstrombereich). Durch Ändern einer internen Brücke kann die Eingangsspannung auch auf den Bereich 0 V bis 10 V skaliert werden. Trennen Sie das Gerät von der Wechselstromversorgung und nehmen Sie den Deckel ab (siehe Anweisungen im Abschnitt „Installation“. Versetzen Sie die hohe Brücke LK3 auf den mittleren und '10V' Pin, anstatt auf Mitte und '5V' (siehe Draufsicht der folgenden Abbildung).

Die Stromfernsteuerung kann bei lokaler oder ferngesteuerter Spannungssteuerung verwendet werden.



ACHTUNG. Legen Sie zwischen den Klemmen **CC** bzw. **CV** keine externe Steuerspannung an, die den Maximalwert des gewählten Bereichs (5V oder 10V) überschreitet. Zwar sind die Eingänge gegen Überspannung geschützt, aber das Gerät versucht eine Ausgangsspannung/Stromabgabe über dem maximalen Nennwert zu erzeugen, wenn die Steuerspannung den Grenzwert überschreitet. Dies kann zu Folgeschäden führen. Sollte dieser Zustand anhalten, kann der Ausgang durch OVP bzw. OCP ausgeschaltet werden (siehe folgender Abschnitt).

OVP und OCP

OVP (Überspannungsschutz) und OCP (Überstromschutz) sind in der Firmware implementiert und können nur eingerichtet und verwendet werden, wenn eine Fernsteuerung über die Schnittstellen RS232, USB, LAN (LXI) oder GPIB stattfindet. Die Einstellung erfolgt in Schritten von 10mV und 1mA mit einer typischen Ansprechzeit von 500ms.

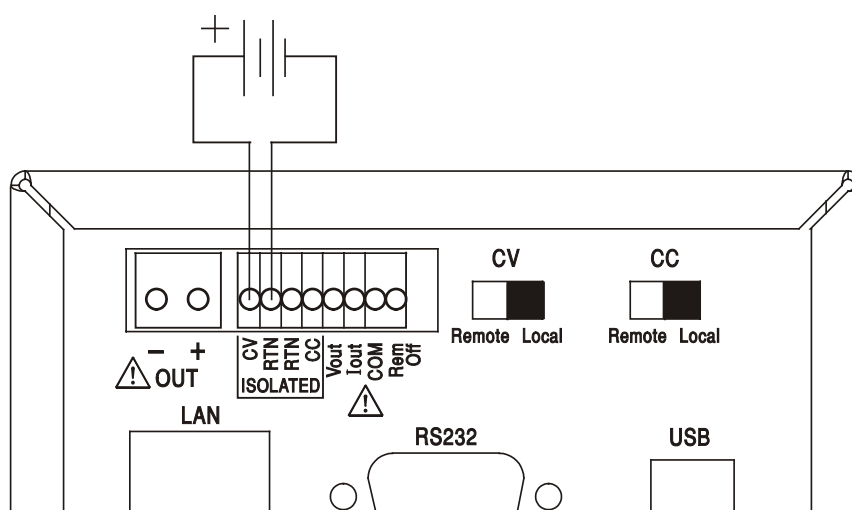
Im lokalen Modus sind OVP und OCP zwar weiterhin aktiviert, jedoch fest auf 105% des Maximalbereichs eingestellt. Damit wird ein Abschaltenschutz gewährleistet, falls eine länger anliegende CV oder CC Steuerspannung versucht den Ausgang über 105% des Maximalbereichs zu setzen.

Praktische Überlegungen bei der Verwendung von CV und CC

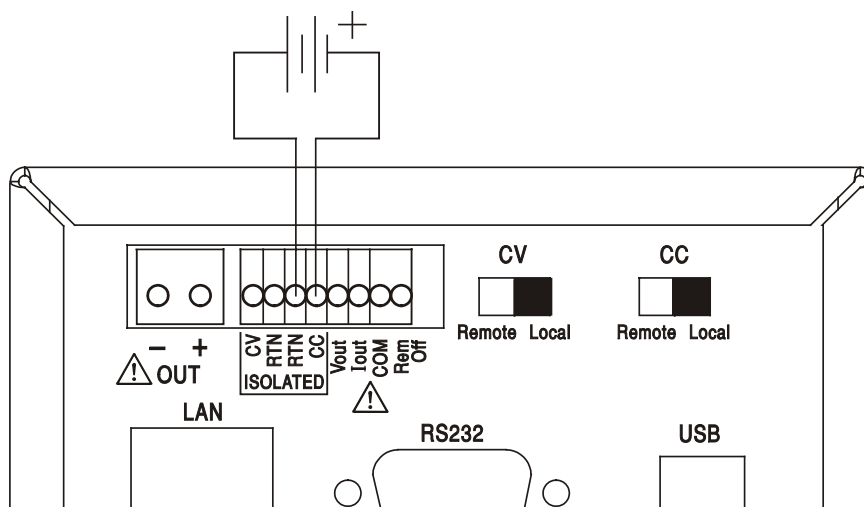
Die Stabilität der Steuerspannungen wirkt sich direkt auf die Stabilität des Ausgangs aus. Jegliche Störungen der Steuersignale resultieren in Störungen des Ausgangs. Um diese möglichst gering zu halten verwenden Sie verdrehte oder abgeschirmte Leitungspaare (nur an einem Ende geerdet) für den Anschluss der Steuerspannung an die CV, CC und RTN Eingänge und halten Sie die Verbindung so kurz wie möglich. Beachten Sie, dass das Ausgangsrauschen bei Verwendung der analogen Fernsteuerung aufgrund des Eigenrauschens der Isoliereingangsschaltung per se etwas höher liegt (siehe Technische Daten).

Die folgenden Zeichnungen zeigen die Anschlüsse für Konstantspannung (CV) und Konstantstrom (CC) bei Verwendung einer externen Steuerspannung.

Konstantspannungssteuerung



Konstantstromsteuerung



Bei eingeschaltetem OUTPUT zeigt das Display auf dem Gerät immer die aktuellen Werte für Ausgangsspannung und Strom, ganz gleich welche Steuerungsquelle verwendet wird. Ist der OUTPUT jedoch ausgeschaltet, zeigt das Display die mit den Reglern auf der Vorderseite eingestellten Werte für Strom und Spannung an (oder die Werte der Digitalschnittstelle, falls aktiv) und nicht die Werte für die CV und CC Eingänge, selbst wenn diese aktiv sind (CV und CC stehen auf REMOTE). Um Verwechslungen zu vermeiden, sollten die vorderen Regler immer ganz heruntergedreht sein, wenn CV und CC verwendet werden.

Steuerspannungen des Analogausgangs

Die Steuerspannungen V_{out} und I_{out} des Analogausgangs werden aus den aktuellen internen Steuerspannungen erzeugt. Diese wiederum können von den Reglern auf der Gerätevorderseite, von den digitalen Schnittstellen (RS232, USB, LAN oder GPIB) oder von den ferngesteuerten Analogeingängen CV und CC stammen. V_{out} und I_{out} sind so skaliert, dass 0 bis 100% der Nennausgangsspannung und Strom (nur Hochstrombereich) 0V bis 5V an den Klemmen V_{out} und I_{out} auf der Geräterückseite erzeugen (in Bezug auf COM). COM ist mit dem positiven Ausgang verbunden.

I_{out} entspricht immer dem eingestellten Strom, ganz gleich ob der Ausgang ein- oder ausgeschaltet ist. Dagegen geht V_{out} auf 0V, wenn der Ausgang ausgeschaltet wird.



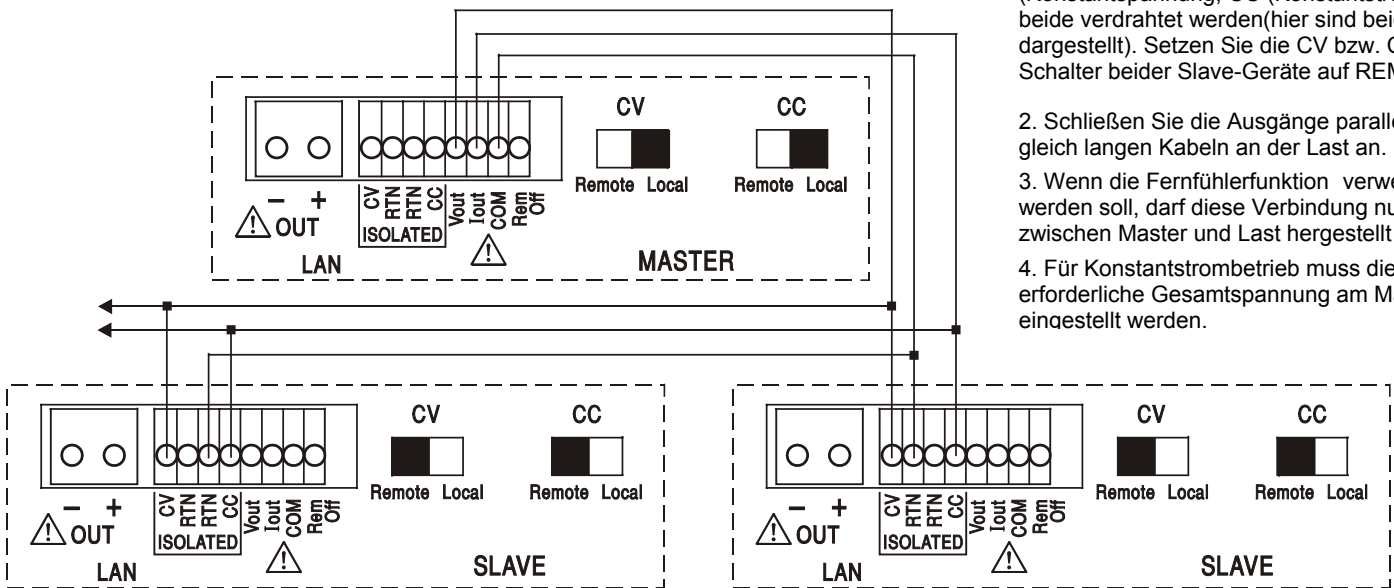
Achtung! COM bezieht sich auf die Ausgangssteuerschaltung und liegt innerhalb von ~1 V der positiven Ausgangsspannung. V_{OUT} und I_{OUT} liegen immer an den Klemmen an.

Parallelbetrieb in Master-Slave Konfiguration

Der Parallelbetrieb in einer Master-Slave Konfiguration ermöglicht höhere Ausgangsströme mit gleichmäßiger Stromverteilung zwischen den Geräten, wobei sowohl Strom als auch Spannung von nur einem Gerät gesteuert werden. Alle Geräte müssen vom gleichen Typ sein (d. h. identische Nennwerte für Ausgangsspannung und Strom). Das Diagramm zeigt 3 parallel geschaltete Geräte. Um eine gleichmäßige Stromverteilung zu erreichen, muss jedes Gerät getrennt an die Last gekoppelt werden, wobei identische Querschnitte und Leitungslängen erforderlich sind, um den gleichen Spannungsabfall zu erreichen. Verbinden Sie V_{out} , I_{out} und COM des Master-Geräts mit den CV, CC und RTN Eingängen der Slave-Geräte. Setzen Sie die Schalter CV und CC auf REMOTE (siehe Abbildung).

Die Spannungs- und Stromeinstellung des Masters kann über die vorderen Regler, die digitale Schnittstelle oder über eine externe Spannung an den CV und CC Steuereingängen erfolgen.

Parallelbetrieb in Master-Slave Konfiguration



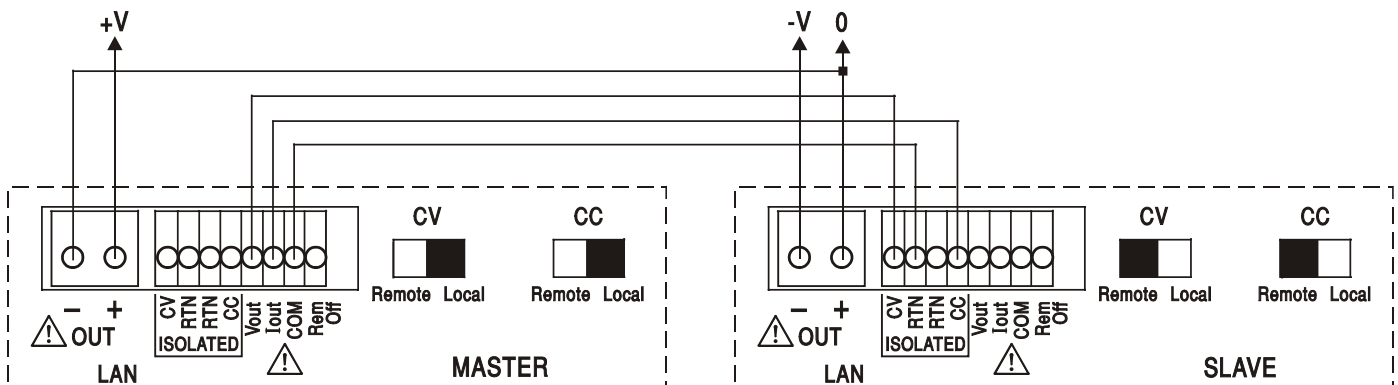
Hinweise:

1. Die Geräte können für CV (Konstantspannung, CC (Konstantstrom) oder beide verdrahtet werden (hier sind beide dargestellt). Setzen Sie die CV bzw. CC Schalter beider Slave-Geräte auf REMOTE.
2. Schließen Sie die Ausgänge parallel mit gleich langen Kabeln an der Last an.
3. Wenn die Fernfühlerfunktion verwendet werden soll, darf diese Verbindung nur zwischen Master und Last hergestellt werden.
4. Für Konstantstrombetrieb muss die erforderliche Gesamtspannung am Master eingestellt werden.

Im Konstantspannungsbetrieb entspricht die Spannung an der Last der auf dem Master eingestellten Spannung (über Frontregler, Digitalchnittstelle oder CV-Steuereingang). Die Strombegrenzung des Systems (d. h. der Strom im Konstantstrombetrieb) entspricht dem auf dem Master eingestellten Strombegrenzungswert ($x \cdot n$), wobei n die Gesamtzahl der parallel angeschlossenen Geräte ist.

Isolierter oder Reihenbetrieb in Master-Slave Konfiguration

Ein isolierter oder Reihenbetrieb in Master-Slave Konfiguration ermöglicht das Tracking von Ausgangsspannung und Strombegrenzungen, die von einem Einzelgerät aus für mehrere Geräte eingestellt werden können. Alle Geräte müssen vom gleichen Typ sein (d. h. identische Nennwerte für Ausgangsspannung und Strom). Die Zeichnung zeigt 2 in Reihe geschaltete Geräte zum Tracking von \pm Volt und der Strombegrenzungen. Verbinden Sie V_{out} , I_{out} und COM des Master-Geräts mit den CV, CC und RTN Eingängen der Slave-Geräte. Setzen Sie die Schalter CV und CC auf REMOTE (siehe Abbildung).



Falls unabhängige Strombegrenzungen erforderlich sind, setzen Sie CC auf Local und stellen dann die Grenzwerte auf der Vorderseite der einzelnen Geräte ein.



Achtung! Beim Reihenbetrieb darf die maximale Betriebsspannung (300 V) eines jeden Anschlusses mit Bezug auf Erde (\perp) nicht überschritten werden.

Ferngesteuerte Abschaltung

Durch Schließen eines Schalters oder ein „Low“ Signal an den Anschlüssen REM OFF und COM wird der Ausgang abgeschaltet. Die Leuchte OUTPUT auf der Gerätevorderseite erlischt ebenfalls. Durch Öffnen des Schalters zwischen REM OFF und COM wird der Ausgang wieder eingeschaltet.



Achtung! COM bezieht sich auf die Ausgangsteuerschaltung und liegt innerhalb von ~1 V der positiven Ausgangsspannung.

Bedienung der Fernschnittstelle

Das Gerät kann über seine RS232-, USB-, LAN- oder optionalen GPIB-Schnittstellen ferngesteuert werden. Die analoge Fernsteuerung wurde im vorhergehenden Kapitel beschrieben.

Die USB-Fernbedienung funktioniert genauso wie bei einem RS232, nur wird stattdessen der USB-Anschluss verwendet. Die mit dem Gerät gelieferte Software richtet den steuernden Computer darauf ein, den USB-Anschluss als virtuellen COM-Port zu behandeln. Die Anwendungssoftware auf dem Computer kann dann über den COM-Port auf das Gerät zugreifen.

Die LAN-Schnittstelle entspricht LXI (Lan eXtensions for Instrumentation) Version 1.2; das Gerät ist Class C konform. Eine Fernsteuerung über die LAN-Schnittstelle ist über das TCP/IP Sockets Protokoll möglich. Das Gerät enthält auch einen einfachen Web-Server mit Informationen zum Gerät, der die Konfiguration von einem Web-Browser aus ermöglicht. Eine einfache Befehlszeilensteuerung vom Browser aus ist ebenfalls möglich.

Das Gerät wird standardmäßig mit den Schnittstellen RS232, USB und LAN geliefert; GPIB ist als Option verfügbar. Alle Schnittstellen sind standardmäßig zu jeder Zeit aktiviert (wie von der LXI Spezifikation gefordert), der Zugang zu einzelnen Schnittstellen kann jedoch über die Konfigurationsoptionen auf den Webseiten eingeschränkt werden.

Sperrern der Schnittstellen

Alle Schnittstelle sind jederzeit aktiviert; dadurch braucht die aktive Schnittstelle nicht speziell gewählt zu werden (siehe LXI Spezifikation). Damit das Gerät nicht versehentlich gleichzeitig von zwei Schnittstellen gesteuert wird, enthält der Befehlssatz einen einfachen Sperr- und Freigabemechanismus. Die Sperrung wird automatisch aufgehoben, wenn eine Trennung festgestellt werden kann oder wenn die Taste „LOCAL“ gedrückt wird. Der Zugriff auf die Schnittstellen kann auch über die Webseiten beschränkt werden.

Jede Schnittstelle kann durch Senden des Befehls „IFLOCK“ eine exklusive Steuerung des Geräts anfordern. Die Sperre wird nur aufgehoben, wenn der Befehl „IFUNLOCK“ von der aktuell gesperrten Schnittstelle gesendet wird. Andere Schnittstellen können den Schnittstellen-Status mit dem Befehl „IFLOCK?“ abfragen. Die Antwort auf diese Befehle lautet „-1“ wenn die Sperre bereits von einer anderen Schnittstelle in Anspruch genommen wird, „0“ wenn die Schnittstelle frei ist und „1“ wenn die fragende Schnittstelle bereits gesperrt ist. Wird ein Befehl von einer Schnittstelle ohne Steuerrechte gesendet, der versucht den Gerätestatus zu ändern, so wird Bit 4 des Standard Event Status Registers und 200 in das Execution Error Register gesetzt, um darauf hinzuweisen, dass für die gewünschte Aktivität keine ausreichenden Rechte vorhanden sind.

Hinweis: Die Rechte für eine Schnittstelle können über die Webseite auch auf 'schreibgeschützt' oder 'kein Zugriff' gesetzt werden.

Adressenauswahl

Die Adressierungsfähigkeit wird eigentlich nur von der GPIB Schnittstelle benötigt. Der ADDRESS?-Befehl kann jedoch von allen Schnittstellen zur einfachen Identifizierung des von einem bestimmten COM-Port (bei RS232 oder USB) bzw. TCP-Socket (bei LAN) gesteuerten Geräts verwendet werden. Beachten Sie, dass die LAN Schnittstelle auch eine getrennte Identifizierungsfunktion besitzt, die von der Webseite des Geräts aus zugänglich ist und dazu führt, dass das Gerät so lange blinkt, bis der Befehl beendet wird.

Die Adresse wird auf der Gerätevorderseite wie folgt eingestellt. Bei zunächst ausgeschaltetem Gerät die Tasten Lock, Meter Average und Current Range gedrückt halten dann das Gerät einschalten. Im Display erscheint **Addr** im Spannungsbereich und **nn** im mA-Bereich, wobei **nn** die aktuelle Einstellung ist (Standardadresse **Addr 11**). Der Adresswert kann mit den Tasten Meter Average und Current Range im Bereich 1 bis 31 inklusive (ohne 0) durchgehend erhöht oder verringert werden. Die Adresse wird bestätigt und der Vorgang abgeschlossen, wenn Sie die Taste Lock drücken; das Display zeigt etwa 2 Sekunden lang **SEt** und die neue Adresse an, kehrt aber zur normalen Spannungs- und mA-Anzeige zurück, sobald die neue Adresse akzeptiert worden ist. Die Adresse kann auch über die Webseite des Geräts eingestellt werden.

Ferngesteuerter/Lokaler Betrieb

Nach dem Einschalten befindet sich das Gerät im Modus Lokalbetrieb, die REMOTE Anzeige leuchtet nicht. In diesem Zustand sind alle Einstellungen auf der Gerätevorderseite möglich. Wird das Gerät per Schnittstelle angesteuert und ein Befehl empfangen, schaltet das Gerät auf Fernbedienung und REMOTE wird aktiviert. In diesem Modus ist eine Bedienung nur über die Fernsteuerbefehle möglich. Die Einstellungen für V/I, Mittelungsfunktion, Stromstärkebereich und Ausgangsstatus bleiben unverändert, nur LOCK und V-Span werden deaktiviert, falls sie eingeschaltet waren. Die Werte Vmin und Vmax bleiben erhalten. Das Gerät kann durch Drücken der LOCAL Taste wieder auf lokal umgeschaltet werden. Der Zustand hält so lange an, bis das Gerät wieder adressiert wird oder über die Schnittstelle ein weiteres Zeichen empfängt. Dann ist es wieder im Remote-Status. Wird der Lokal-Modus auf diese Weise oder über den Befehl LOCAL wiederhergestellt, so bleiben die zuletzt per Fernsteuerung empfangenen Werte für V/I erhalten. Die Funktion „Lock Settings“ ist aktiviert und der Ausgang verbleibt im jeweiligen Status.

RS232-Schnittstelle

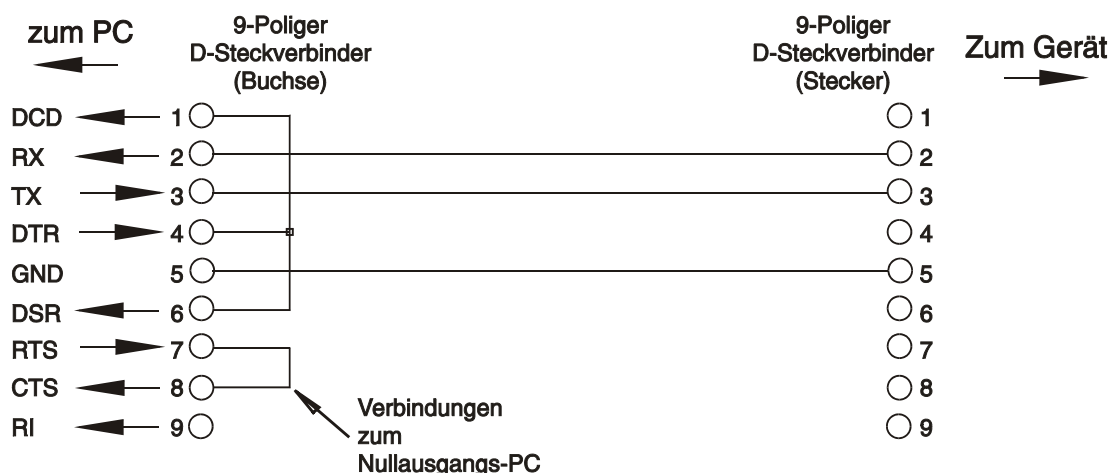
Schnittstellenanschluss RS232

Der 9-polige Steckverbinder (Typ D) für die serielle Schnittstelle befindet sich auf der Geräterückwand. Die Pinbelegung ist wie folgt:

Pin	Name	Beschreibung
1	RI	Passive Bestimmung (+V durch 10 k Ω)
2	TXD	Übertragungsdaten vom Gerät
3	RXD	Empfangsdaten zum Gerät
4	CTS	
5	GND	Signalerde
6	RTS	Passive Bestimmung (+V durch 10 k Ω)
7	DSR	Keine interne Verbindung
8	DTR	
9	CD	Keine interne Verbindung

RS232-Anschlüsse

Die RS232-Schnittstelle sollte mithilfe eines vollverdrahteten Kabels (männlich-weiblich 1:1) ohne überkreuzende Verbindungen an einen standardmäßigen PC-Port angeschlossen werden. Alternativ werden nur die Pins 2, 3 und 5 an den PC angeschlossen, doch müssen Verbindungen im PC-Anschluss zwischen den Pins 1, 4 und 6 sowie 7 und 8 hergestellt werden (siehe Diagramm).



Die Baud-Rate ist für dieses Gerät mit 9600 festgelegt, die anderen Parameter haben folgende Werte:

Startbits: 1	Parität: keine
Datenbits: 8	Stoppsbits: 1

RS232-Zeichensatz

Aufgrund des erforderlichen XON/XOFF-Protokolls stehen zur Datenübertragung nur ASCII-kodierte Zeichen zur Verfügung, binäre Blöcke sind nicht zulässig. Bit 7 des ASCII-Codes wird ignoriert, d.h. als Low angenommen. In der Befehlsmnemonik wird nicht zwischen Groß- und Kleinschreibung unterschieden, sie kann auch vermischt werden. Die ASCII-Codes unter 20H (Leerzeichen) werden nicht verwendet. In diesem Handbuch steht 20H usw. für 20 hexadezimal usw. Das Gerät sendet XOFF wenn 50 freie Bytes verbleiben und XON wenn sich dieser Wert auf 100 Bytes erhöht.

USB-Schnittstelle

Die USB-Schnittstelle ist ein virtueller COM-Port, der vom PC so gesteuert werden kann, als handele es sich um ein RS232 Gerät. Das Gerät hat eine beiliegende CD mit einer .inf-Datei für die standardmäßigen Microsoft-Treiber in Windows 2000, XP, Vista und Windows 7; der Installationsassistent installiert die jeweiligen Treiber (32-bit oder 64-bit) für das Betriebssystem des PCs.

Die Installation des Schnittstellentreibers erfolgt, indem das Gerät über ein normales USB-Kabel an einen PC angeschlossen wird. Durch die „Plug-and-Play“ Funktionalität unter Windows wird die am USB-Port angeschlossene neue Hardware normalerweise automatisch erkannt. Beim erstmaligen Anschluss des Geräts fragt Windows daraufhin nach dem Pfad des entsprechenden Treibers. Nach korrekter Eingabe der entsprechenden Informationen installiert Windows nun den geeigneten Treiber und richtet im PC einen virtuellen COM-Port ein. Die Nummer des neuen COM-Ports richtet sich nach der Zahl der bereits vorhandenen COM-Schnittstellen im PC. Dieser virtuelle COM-Port kann von Windows genau wie jeder andere normale COM-Port angesprochen werden, ausgenommen dass die Baudrateneinstellung des virtuellen COM-Port ignoriert wird.

Der installierte Treiber verbleibt auf dem PC, sodass der virtuelle COM-Port in Zukunft automatisch eingerichtet werden kann, sobald das Gerät über USB an den PC angeschlossen wird.

Weitere virtuelle COM-Ports werden für jedes zusätzlich über USB an den PC angeschlossene Gerät erstellt. Jedem Gerät wird bei seinem ersten Anschluss ein separater virtueller COM-Port zugewiesen, und derselbe COM-Port wird bei jedem darauf folgenden Anschluss erneut zugewiesen. Die PC-Software nutzt den in jedem Gerät enthaltenen eindeutigen Code zur Verbindung mit demselben virtuellen COM-Port unabhängig vom physikalischen USB-Port, an den es angeschlossen ist.

Der Befehl ADDRESS? kann ebenfalls zur einfachen Identifizierung des von einem bestimmten COM-Port gesteuerten Geräts verwendet werden. Obwohl die Adressierungsfähigkeit beim USB-Betrieb ignoriert wird, kann die Adresse weiterhin eingestellt und als Kennung verwendet werden. Stellen Sie jedes USB-verbundene Gerät auf eine unterschiedliche Adresse und schicken Sie den ADDRESS?-Befehl von jedem virtuellen COM-Port zur Bestätigung des an den Port angeschlossenen Geräts.

LAN

Die LAN-Schnittstelle entspricht LXI (Lan eXtensions for Instrumentation) Version 1.2 und umfasst die folgenden Schnittstellen und Protokolle. Da es durchaus möglich ist die LAN-Schnittstelle derart falsch zu konfigurieren, dass ein Datenaustausch per LAN nicht mehr möglich ist, besitzt das Gerät auf der Rückseite einen versenkten Schalter, sodass ein Zurücksetzen auf die Werksvoreinstellung mithilfe des LCI (LAN Configuration Initialize) Mechanismus möglich ist. Standardmäßig versucht das Gerät sich Einstellungen über DHCP zu holen. Ist dies nach 30 Sekunden (DHCP-Timeout) nicht erfolgreich erfolgt ein Wechsel auf Auto-IP.

Im unwahrscheinlichen Fall, dass keine Auto-IP Adresse gefunden werden kann, wird eine statische IP-Adresse (192.168.0.100) zugewiesen. Durch Zurücksetzen des LAN wird ein etwaiger Passwortschutz aufgehoben.

Weitere Informationen zu den LXI Spezifikationen finden Sie auf www.lxistandard.org/home

LAN Verbindung

Um die LAN-Schnittstelle verwenden zu können muss die IP-Adresse des Geräts bekannt sein. Auf der mitgelieferten CD-ROM befindet sich das LXI Discovery Tool, mit dessen Hilfe die IP-Adresse (und weitere Informationen) aller angeschlossenen Geräte angezeigt werden kann, die dem VXI-11 Discovery Protokoll entsprechen. Bei diesem Tool handelt es sich um ein Windows PC Programm, das auf dem steuernden PC installiert und ausgeführt werden muss. Das Gerät wird hierbei entweder direkt über den PC Netzwerkanschluss oder über einen Router verbunden. Die Verbindung über einen Router bietet den Vorteil, dass sich eine IP-Adresse erheblich schneller zuweisen lässt. Bei einer Direktverbindung mit dem PC findet die Zuweisung erst nach dem 30 Sekunden währenden DHCP-Timeout statt. Durch Doppelklick auf einen Eintrag in der Geräteliste wird der Web-Browser des PCs gestartet und die Homepage des jeweiligen Geräts angezeigt.

Zusätzlich sind Tools für die LAN Discovery im Rahmen der Programmpakete „National Instruments Measurement and Automation Explorer“ sowie „Agilent Vee“ vorhanden.

Beim Einschalten versucht das Gerät sich Einstellungen über DHCP zu holen. Ist dies nach 30 Sekunden nicht erfolgreich (DHCP-Timeout), erfolgt ein Wechsel auf Auto-IP. Im unwahrscheinlichen Fall, dass keine Auto-IP Adresse gefunden werden kann, wird eine statische IP-Adresse (192.168.0.100) zugewiesen.

Ist die Verbindung weiterhin erfolglos erscheint **LAN Err** im Display (siehe Abschnitt „LAN Fehler“).

Webserver; Konfiguration des Passwortschutzes

Das Gerät enthält einen einfachen Webserver. Dieser liefert Informationen zum Gerät und ermöglicht die Konfiguration. Die Konfigurationsseite kann mit einem Passwort geschützt werden, um unbefugte Änderungen der Konfiguration für den Fernsteuerbetrieb zu verhindern. Die Standardeinstellung ist 'kein Passwort'.

Auf der eigentlichen Konfigurationsseite wird erklärt wie das Passwort gesetzt werden kann. Das Passwort kann bis zu 15 Zeichen besitzen. Beachten Sie bitte, dass **kein Benutzername verwendet werden sollte**. Beim Betätigen des LAN RESET Schalters zum Zurücksetzen aller LAN-Parameter auf die Werksvoreinstellung wird auch das Passwort auf die Standardeinstellung (kein Passwort) zurückgesetzt.

Die Webseiten verfügen über eine Identifizierungsfunktion, sodass der Benutzer einen Identifizierungsbefehl zum Gerät senden kann. Daraufhin blinkt dessen Display, bis der Befehl aufgehoben wird.

ICMP Ping-Server

Das Gerät enthält einen ICMP-Server, um das Gerät entweder über den Hostnamen oder die IP-Adresse per Ping-Befehl anzusprechen.

VXI-11 Discovery Protokoll

Das Gerät unterstützt stark eingeschränkt das VXI-11 Protokoll, sodass lediglich eine Instrumentenerkennung möglich ist.

Das Gerät implementiert einen Sun RPC Port-Mapper auf TCP Port 111 und UDP Port 111 (siehe RPC1183). Folgende Aufrufe stehen zur Verfügung: NULL, GET PORT und DUMP.

Auf TCP Port 1024 wird ein sehr einfaches VXI-11 Protokoll implementiert, das zur Instrumentenerkennung ausreicht. Hier werden folgende Aufrufe unterstützt: CREATE LINK, DEVICE_WRITE, DEVICE_READ und DESTROY_LINK.

Nach Herstellung der Verbindung werden alle weiteren Informationen vom Gerät ignoriert und es wird lediglich der Identifizierungs-String wie bei einem “*IDN?” Befehl in folgender Form ausgegeben:

‘Hersteller,Modell,Seriennr.,X.xx – Y.yy’

Zum Beispiel:

SORENSEN, XEL 120-0.75P,279730,1.00 – 1.00

wobei ‘X.xx’ die Revisionsnummer der Main-Firmware und ‘Y.yy’ die Revisionsnummer der Interface-Firmware angibt. Die Interface-Firmware ist über den USB-Port vom Benutzer vor Ort aktualisierbar.

VISA Resource-Name

Aufgrund der eingeschränkten Unterstützung für VXI-11(nur Discovery-Protokoll) muss das Gerät im Zusammenhang mit Software, die über einen VISA Resource-Namen kommuniziert, anhand seiner Raw-Socket-Information angesprochen werden. So würde z. B. ein Gerät mit der IP-Adresse 192.168.1.100 normalerweise den VISA Resource-Namen "TCPIP0::192.168.1.100::inst0::INSTR" besitzen, der aber für dieses Gerät umgewandelt werden muss auf "TCPIP0::192.168.1.100::9221::SOCKET", wobei 9221 der TCP-Port ist, der von diesem Gerät für Steuerung und Überwachung verwendet wird (siehe unten).

XML Identifikationsdokument URL

Wie von der LXI Norm gefordert, stellt das Gerät ein „XML Identification Document“ bereit, das über einen GET Befehl unter “http://<hostname>:80/lxi/identification” abgefragt werden kann. Es entspricht dem LXI XSD Schema (siehe <http://www.lxi-standard.org/InstrumentIdentification/1.0>) und dem W3C XML Schema (<http://www.w3.org/XML/Schema>). Dieses Dokument beschreibt das Gerät.

TCP Sockets

Das Gerät verwendet 2 Sockets auf TCP Port 9221 für die Gerätesteuerung und Überwachung. An diesen Port werden die im Abschnitt „Fernsteuerbefehle“ beschriebenen Befehle gesendet. Die Antwort erfolgt über den gleichen Port. Eine Zeichenkette muss aus einem oder mehreren vollständigen Befehlen bestehen. Befehle können durch ein Semikolon (;) oder einen Zeilenvorschub getrennt werden. Ein Trennzeichen ist nicht erforderlich, da der TCP Rahmen vollständige Befehle enthält. Befehle können zwar mit Trennzeichen gesendet werden, dieses wird jedoch ignoriert. Jeder Befehl über TCP verhält sich, als ob er mit einem Command Terminator (ASCII Zeichen 0AH, Zeilenvorschub) abgeschlossen wurde.

LAN Fehler

Wenn nach Herstellung einer LAN Verbindung ein Fehler festgestellt worden ist (z. B. gleiche IP-Adresse wie ein anderes Gerät im Netzwerk) blinkt das Display abwechselnd mit der normalen Spannungsanzeige und **LAN Err**, bis der Fehler korrigiert worden ist. Bei Auftreten eines LAN Fehlers muss die Gerätekonfiguration geprüft und ggf. korrigiert werden. Über einen versenkten Schalter auf der Rückseite (LAN RESET) kann das Gerät mittels LAN Configuration Initialize (LCI) Mechanismus auf die Werkseinstellung zurückgesetzt werden. Standardmäßig versucht das Gerät sich Einstellungen über DHCP zu holen. Ist dies nach 30 Sekunden nicht erfolgreich (DHCP-Timeout) erfolgt ein Wechsel auf Auto-IP. Im unwahrscheinlichen Fall, dass keine Auto-IP Adresse gefunden werden kann, wird eine statische IP-Adresse (192.168.0.100) zugewiesen.

Die Anzeige blinkt abwechselnd zwischen den normalen Wert und **LAN Err** wenn beim Einschalten keine physische LAN-Verbindung festgestellt werden konnte (dieses Blinken hört nach 10 Sekunden auf). Sie können diese beim Einschalten erscheinende Meldung deaktivieren, indem Sie den Befehl 'NOLANOK 1' über eine beliebige Schnittstelle senden. Um das Erscheinen der Meldung zu reaktivieren, können Sie entweder den Befehl 'NOLANOK 0 ' senden oder den versenkten LAN RESET Schalter auf der Rückseite verwenden, um alle LAN-Parameter auf die Werksvoreinstellung zurückzusetzen (siehe Einleitung im Kapitel LAN).

GPIO-Schnittstelle

Der 24-polige Steckverbinder für die GPIO-Schnittstelle befindet sich auf der Geräterückseite. Die Stiftbelegung erfolgt gemäß der Norm IEEE Std. 488.1-1987. Das Gerät entspricht den Normen IEEE Std. 488.1-1987 und IEEE Std. 488.2-1987.

GPIO Befehlsätze

Das Gerät ist mit folgenden IEEE 488.1 Befehlsätzen versehen:

Source Handshake	SH1
Acceptor Handshake	AH1
Talker	T6
Listener	L4
Service Request	SR1
Remote Local	RL2
Parallel Poll	PP1
Device Clear	DC1
Device Trigger	DT0
Controller	C0
Electrical Interface	E2

Query Error Register - GPIO Fehlerbehandlung nach IEEE Std. 488.2

Der Fehler UNTERMINATED nach IEEE 488.2 (auf Kommunikation gestellt, doch nichts zu berichten) wird wie folgt behandelt: Ist das Gerät auf Kommunikation gestellt, der Antwortformatierer jedoch nicht aktiv und die Eingangswarteschlange leer, so wird ein UNTERMINATED-Fehler generiert. Dies bewirkt, dass ein Query Error-Bit im Standard Event Status Register gesetzt, der Wert von 3 ins Query Error Register geschrieben und der Parser zurückgestellt wird. Weitere Angaben hierüber siehe Abschnitt „STATUS-BERICHTERSTATTUNG“.

Der Fehler INTERRUPTED nach IEEE 488.2 wird wie folgt behandelt: Wartet der Antwortformatierer auf das Senden einer Antwort und wurde vom Parser ein <PROGRAM MESSAGE TERMINATOR> gelesen oder enthält die Eingangswarteschlange mehr als eine END-Meldung, so wurde das Gerät INTERRUPTED (unterbrochen) und eine Fehleranzeige wird generiert. Dies bewirkt, dass ein Query Error-Bit im Standard Event Status Register gesetzt, der Wert 1 ins Query Error Register geschrieben und der Antwortformatierer zurückgestellt wird, wodurch die Ausgangs-Warteschlange gelöscht wird. Jetzt beginnt der Parser die nächste <PROGRAM MESSAGE UNIT> der Eingangswarteschlange zu verarbeiten. Weitere Angaben hierüber siehe Abschnitt „STATUS-BERICHTERSTATTUNG“.

Der Fehler DEADLOCK nach IEEE 488.2 wird wie folgt behandelt: Wartet der Antwortformatierer auf das Senden einer Antwort und wird die Eingangswarteschlange voll, so schaltet das Gerät auf DEADLOCK –Status und eine Fehleranzeige wird generiert. Dies bewirkt, dass ein Query Error-Bit im Standard Event Status Register gesetzt, der Wert 2 ins Query Error Register geschrieben und der Antwortformatierer zurückgestellt wird, wodurch die Ausgangswarteschlange gelöscht wird. Jetzt beginnt der Parser die nächste <PROGRAM MESSAGE UNIT> der Eingangswarteschlange zu verarbeiten. Weitere Angaben hierüber siehe Abschnitt „STATUS-BERICHTERSTATTUNG“.

GPIO Parallel Poll (GPIO Parallelabfrage)

Das Gerät besitzt eine vollständige Parallelabfrage. Das Parallel Poll Enable Register wird gesetzt und dabei mit Informationen versehen, die angeben, welche Bits im Status Byte Register zur Bildung der lokalen Meldung „ist“ dienen. Das Parallel Poll Enable Register (Parallelabfrage-Aktivierungsregister) wird mit dem Befehl *PRE <nrf> gesetzt und mit dem Befehl *PRE? gelesen. Das logische AND des Wertes im Parallel Poll Enable Register und des Status Byte Registers wird ermittelt; lautet das Ergebnis Null, so beträgt der Wert von „ist“ 0, ansonsten ist der Wert von „ist“ 1.

Das Gerät muss außerdem so konfiguriert sein, dass der Wert von „ist“ während einer Parallelabfrage an das Steuergerät zurückgeschickt werden kann. Die Konfigurierung des Gerätes erfolgt vom Steuergerät, indem letzteres einen Parallel Poll Configure-Befehl (PPC) mit anschließendem Parallel Poll Enable-Befehl (PPE) sendet. Die im PPE-Befehl enthaltenen Bits:

bit 7 =	X	Unbeachtet lassen
bit 6 =	1	Aktivierung der Parallelabfrage
bit 5 =	1	
bit 4 =	0	
bit 3 =	Sense	Wert des Antwortbits; 0 = low, 1 = high
bit 2 =	?	Bitposition der Antwort
bit 1 =	?	
bit 0 =	?	

Beispiel: Um das RQS-Bit (Bit 6 des Status Byte Registers) im Falle von „wahr“ als eine 1 und im Falle von „nicht wahr“ als eine 0 als Antwort auf eine Parallelabfrage in Bitposition 1 zurück zu senden, sind folgende Befehle zu erteilen

*PRE 64<pmt>, dann PPC mit anschließendem 69H (PPE)

Die Antwort auf die Parallelabfrage vom Gerät lautet dann 00H wenn RQS gleich 0 ist, und 01H wenn RQS gleich 1 ist.

Während der Parallelabfrageantwort sind die DIO-Schnittstellenleitungen mit einem ohmschen Abschlusswiderstand versehen (passiver Abschluss). Dadurch wird möglich, dass Mehrfachgeräte bei AND-verdrahteter oder OR-verdrahteter Konfiguration dieselbe Antwortbitposition teilen können. Weitere weiteren Informationen hierzu, siehe IEEE 488.1.

Statusberichterstattung

Für jede Schnittstelleninstanz wird ein getrenntes Fehler- und Statusmodell geführt. Eine Schnittstelleninstanz wird als eine mögliche Verbindung definiert. Bei USB, RS232 und GPIB handelt es sich grundsätzlich um Einzelverbindungen, die jeweils eine Schnittstelleninstanz darstellen. Dagegen ermöglicht LAN mehrere Verbindungen gleichzeitig und bildet daher mehrfache Schnittstelleninstanzen. Zwei Schnittstelleninstanzen werden den beiden TCP-Socket Schnittstellen zugewiesen, eine weitere dem Webseiten-Interface. Durch das getrennte Modell für jede Schnittstelle wird sichergestellt, dass Daten nicht verloren gehen, da viele Befehle (z. B. '*ESR?') den Inhalt beim Schreiben löschen.

Der Fehlerstatus wird in Registern festgehalten. Diese werden im Folgenden beschrieben und im Statusmodell am Kapitelende grafisch dargestellt.

Standard Event Status und Standard Event Status Enable Register

Diese beiden Register sind gemäß der Norm IEEE 488.2 ausgeführt.

Bits, die im Standard Event Status Register gesetzt werden und Bits entsprechen, die im Standard Event Status Enable Register gesetzt wurden, bewirken, dass das ESB-Bit im Status Byte Register gesetzt wird.

Das Standard Event Status Register wird mit dem Befehl *ESR? gelesen und gelöscht. Das Standard Event Status Enable Register wird mit dem Befehl *ESE <nrf> gesetzt und mit dem Befehl *ESE? gelesen.

Es handelt sich um ein Bitfeld mit folgenden Bits.

Bit 7: Power On (Einschalten). Wird gesetzt, wenn das Gerät zum ersten Mal eingeschaltet wird.

Bit 6: Benutzeranfrage (Nicht belegt).

-
- Bit 5: Command Error (Befehlsfehler). Wird gesetzt, wenn ein Syntaxfehler in einem Befehl vom Bus festgestellt wird. Der Parser wird rückgestellt und die Verarbeitung beginnt mit dem nächsten Byte des Eingabedatenstroms
 - Bit 4: Execution Error (Abarbeitungsfehler). Wird gesetzt, wenn beim Versuch der Abarbeitung eines vollständig verarbeiteten Befehls ein Fehler festgestellt wird. Die entsprechende Fehlernummer wird im Execution Error Register festgehalten (siehe Abschnitt „Fehlermeldungen“).
 - Bit 3: „Verify Timeout“ Fehler. Wird gesetzt, wenn ein Parameter verifiziert werden soll, der jeweilige Wert aber nicht innerhalb von 5 Sekunden erreicht ist (z. B. wenn die Ausgangsspannung durch einen großen Kondensator am Ausgang verzögert wurde).
 - Bit 2: Anfragefehler. Wird gesetzt, wenn ein Abfragefehler auftritt. Die entsprechende Fehlernummer wird im Query Error Register aufgezeichnet (siehe Abschnitt Query Error Register).
 - Bit 1: Nicht belegt.
 - Bit 0: Operation Complete (Vorgang abgeschlossen). Wird als Antwort auf den *OPC-Befehl gesetzt.

Execution Error Register (Ausführungsfehlerregister)

Das Register enthält eine Nummer, die den letzten Fehler über die aktuelle Schnittstelle repräsentiert. Das Execution Error Register wird mit dem EER?-Befehl ausgelesen und gelöscht. Beim Einschalten wird dieses Register für alle Schnittstelleninstanzen auf 0 gesetzt.

Die Fehlermeldungen haben folgende Bedeutung:

- 0: Es liegt kein Fehler vor.
- 1-9: Interner Hardware-Fehler erkannt.
- 100: Range Error (Bereichsfehler). Der gesendete numerische Wert ist nicht zulässig. Dazu gehören auch Werte, die für den jeweiligen Parameter zu groß oder zu klein sind, sowie nicht ganzzahlige Werte, wenn nur Ganzzahlen erlaubt sind.
- 101: Der Abruf eingerichteter Daten wurde angefordert, doch sind die Daten im angegebenen Speicher korrupt. Damit wird entweder ein Hardwarefehler oder eine vorübergehende Datenkorruption angezeigt, die durch erneutes Schreiben von Daten in den Speicher korrigiert werden kann.
- 102: Der Abruf eingerichteter Daten wurde angefordert, doch enthält der angegebene Speicher keine Daten.
- 103: Es wurde versucht einen Befehl für den zweiten Ausgang zu lesen oder zu schreiben, wenn dieser Ausgang nicht zur Verfügung steht. Dies tritt normalerweise auf, wenn versucht wird einen zweiten Ausgang bei einem Einzelnetzgerät bzw. bei einem Doppelnetzgerät im Parallelbetrieb zu programmieren.
- 104: Befehl ungültig bei eingeschaltetem Ausgang. Dies tritt normalerweise auf, wenn der Befehl 'IRANGE <n>' verwendet wird, ohne den Ausgang zuvor auszuschalten.
- 200: Read Only: (Schreibgeschützt) Es wurde versucht die Geräteeinstellungen von einer Schnittstelle ohne Schreibrechte aus zu ändern (siehe Kapitel „Sperrungen der Schnittstellen“).

Limit Event Status Register und Limit Event Status Enable Register

Für Einzelnetzgeräte existiert nur ein Limit Event Status Register, für Doppelnetzgeräte (außer im Parallelbetrieb) sind zwei vorhanden. Diese werden mit 'LSR1?' bzw. 'LSR2?' gelesen und gelöscht. Beim Einschalten werden diese Register zuerst auf 0, und dann sofort auf den neuen Limit Status gesetzt.

Bits, die im Limit Event Status Register gesetzt wurden und den Bits entsprechen, die im Limit Event Status Enable Register gesetzt wurden, bewirken dass das LIM1 oder LIM 2 Bit im Status Byte Register gesetzt wird.

- Bit 7: Zur späteren Verwendung reserviert.
- Bit 6: Wird gesetzt, wenn ein Auslöser aufgetreten ist, der nur von der Gerätevorderseite aus oder durch Trennen der Netzspannung zurückgesetzt werden kann.
- Bit 5: Zur späteren Verwendung reserviert.
- Bit 4: Zur späteren Verwendung reserviert.
- Bit 3: Wird gesetzt wenn der Überstromschutz ausgelöst worden ist.
- Bit 2: Wird gesetzt wenn der Überspannungsschutz ausgelöst worden ist.
- Bit 1: Wird gesetzt, wenn der Strombegrenzungswert erreicht ist (Konstantstrombetrieb).
- Bit 0: Wird gesetzt, wenn der Spannungsbegrenzungswert erreicht ist (Konstantspannungsbetrieb).

Status Byte Register und Service Request Enable Register

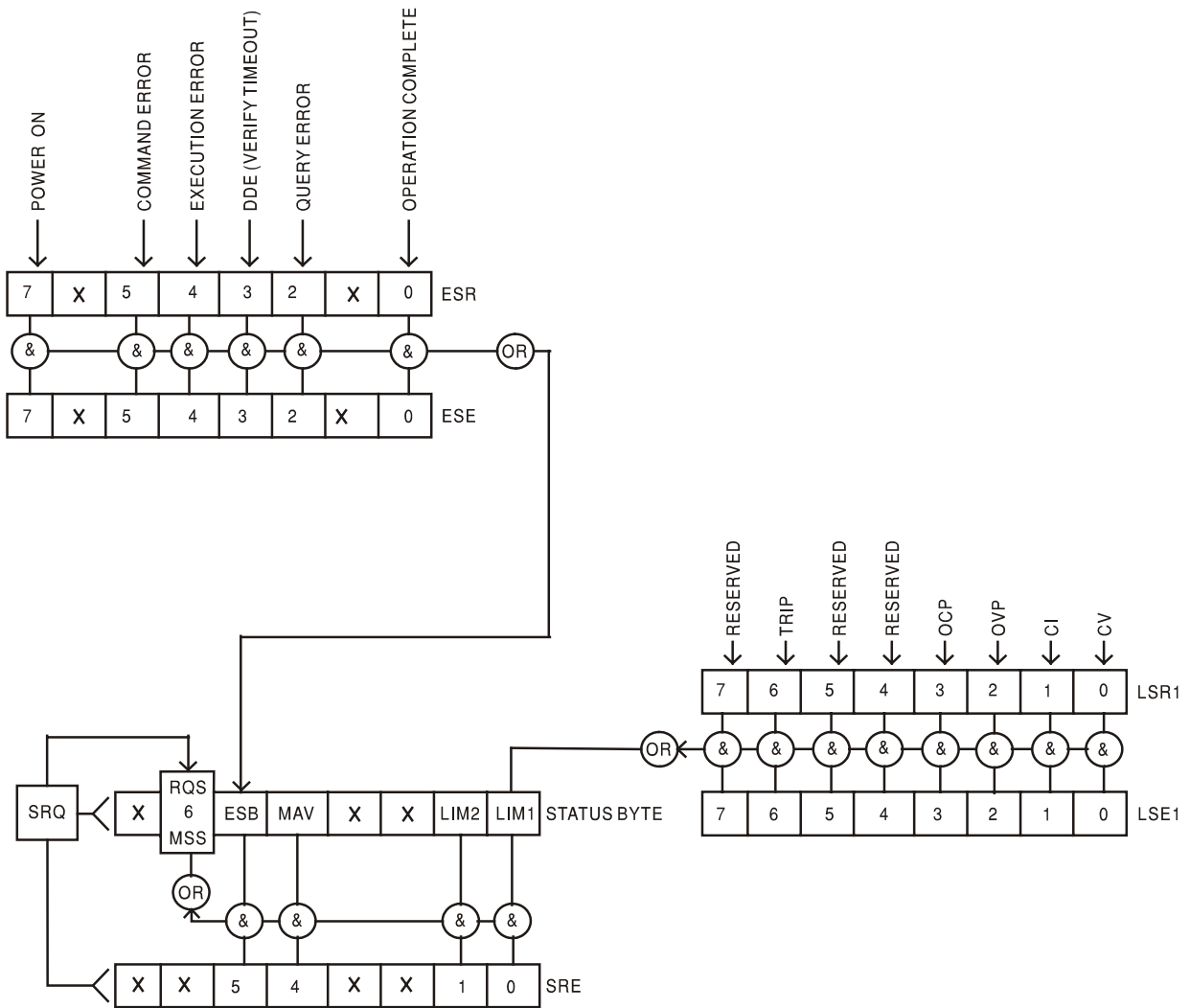
Diese beiden Register sind gemäß der Norm IEEE 488.2 ausgeführt.

Bits, die im Status Byte Register gesetzt wurden und den Bits entsprechen, die im Service Request Enable Register gesetzt wurden, bewirken, dass das RQS/MSS-Bit im Status Byte Register gesetzt wird, wodurch ein Service Request auf dem Bus generiert wird.

Das Status Byte Register wird entweder mittels dem *STB?-Befehl gelesen, der MSS in Bit 6 zurücksendet, oder aber mittels eines Serial Poll (Serienabfrage), der RQS in Bit 6 zurücksendet. Das Service Request Enable Register wird mit dem Befehl *SRE <nrf> gesetzt und mit dem Befehl *SRE? gelesen.

- Bit 7 - Nicht belegt.
- Bit 6 - RQS/MSS. Dieses Bit, das in der Norm IEEE 488.2 definiert ist, enthält sowohl die Requesting Service-Meldung (Serviceanforderung) als auch die Master Status Summary-Meldung. Als Antwort auf ein Serial Poll (Serienabfrage) wird RQS und als Antwort auf den Befehl *STB? wird MSS zurückgesendet.
- Bit 5 - ESB. Das Event Status Bit (Ereignis-Statusbit). Dieses Bit wird gesetzt, wenn im Standard Event Status Register ein Bit gesetzt ist, das im Standard Event Status Enable Register ebenfalls gesetzt wurden.
- Bit 4 - MAV. Das Message Available Bit (Meldung vorhanden). Dieses Bit wird gesetzt, wenn das Gerät eine Antwort formatiert hat, die sendebereit für das Steuergerät zur Verfügung steht. Das Bit wird gelöscht, nachdem der Response Message Terminator gesendet wurde.
- Bit 3 - Nicht belegt.
- Bit 2 - Nicht belegt.
- Bit 1 - LIM2. Wird gesetzt wenn im Limit Event Status Register 2 Bits gesetzt sind, die im Limit Event Status Enable Register 2 entsprechend ebenfalls gesetzt wurden.
- Bit 0 - LIM1. Wird gesetzt wenn im Limit Event Status Register 1 Bits gesetzt sind, die im Limit Event Status Enable Register 1 entsprechend ebenfalls gesetzt wurden.

Status Modell



Standardeinstellungen für Einschaltvorgang und Fernsteuerung

Beim Einschalten des Gerätes werden folgende Statuswerte gesetzt:

Status Byte Register	= 0
Service Request Enable Register †	= 0
Standard Event Status Register	= 128 (nach Setzen des Bits)
Standard Event Status Enable Register †	= 0
Execution Error Register	= 0
Query Error Register	= 0
Parallel Poll Enable Register †	= 0

† Die mit diesem Zeichen versehenen Register beziehen sich spezifisch auf den GPIB-Teil des Gerätes und sind von begrenztem Nutzen über andere Schnittstellen.

Das Gerät befindet sich zunächst im lokalen Modus mit aktiven Reglern auf der Vorderseite (vorausgesetzt die Schalter CV und CC auf der Rückseite sind auf LOCAL gesetzt).

Die Geräteparameter beim Einschalten sind dieselben wie beim letzten Ausschalten des Geräts, mit Ausnahme des Ausgangsstatus. Standardmäßig ist der Ausgang beim Einschalten des Geräts immer ausgeschaltet, kann aber vom Benutzer so eingerichtet werden, dass er den gleichen Status wie beim letzten Ausschalten des Geräts annimmt (siehe Abschnitt „Einschalten und Einschaltzustand“ im Kapitel „Manueller Betrieb“).

Der Schnittstellenbefehl *RST (Reset) setzt das Gerät auf die Standardeinstellungen für den ferngesteuerten Betrieb zurück.

Dies bezieht sich auf folgende Einstellungen:

$V_{out}=1V$, $I_{out}=10mA$, $\Delta V=100mV$, $\Delta I=1mA$, Lock deaktiviert, V-Span deaktiviert, 500mA Bereich deaktiviert, Mittelungsfunktion deaktiviert, OVP & OCP auf 5% über Maximalbereich. **LAN Err** Meldung (10 Sekunden), falls beim Einschalten keine LAN-Verbindung erkannt wird, ist aktiviert. Die Passwortkonfiguration am Web-Server wird auf „kein Passwort“ zurückgesetzt.

Die Einstellungen für die Schnittstelle, gespeicherte Geräte-Einstellungen, V_{min}/V_{max} -Werte sowie der Status des Ausgangs beim Einschalten bleiben vom *RST unberührt.

Fernbedienungsbefehle

RS232/USB-Fernbedienungsformate

Der RS232-Eingang des Gerätes wird über eine 256 Byte große Warteschlange gepuffert. Dies erfolgt unter Verwendung eines Interrupts, quasi im Hintergrund und unabhängig zu allen anderen Gerätefunktionen. Befinden sich etwa 200 Zeichen in der Warteschlange, so sendet das Gerät ein XOFF. XON wird gesendet, wenn wieder 100 Bytes in der Warteschlange frei geworden sind. Diese Schlange enthält die „Rohdaten“ (syntaktisch noch nicht analysiert), die der Parser nach Bedarf übernimmt. Befehle (und Abfragen) werden der Reihe nach ausgeführt, und der Parser startet einen neuen Befehl erst, wenn der vorherige Befehl bzw. die vorherige Abfrage vollständig abgeschlossen ist. RS232-Antworten auf Befehle oder Abfragen werden sofort gesendet; es gibt keine Ausgabeschlange.

Der USB-Eingang entspricht dem USB 2.0 Full Speed (volle Geschwindigkeit).

Befehle müssen in der Form gesendet werden, die in der Befehlsliste festgelegt ist, und immer mit dem Befehlsabschlusscode 0AH (Line Feed, LF) enden. Befehle können in Gruppen gesendet werden, wenn die einzelnen Befehle durch den Code 3BH (;) voneinander getrennt sind. Die Gruppe muss mit dem Befehlsabschlusscode 0AH (Line Feed, LF) enden.

Antworten vom Gerät an den Controller werden in der Form gesendet, die in der Befehlsliste festgelegt ist. Jede Antwort muss mit einem <RESPONSE MESSAGE TERMINATOR> (Antwortabschluss) enden, d.h. dem Code 0DH (Carriage Return, CR), gefolgt von 0AH (Line Feed, LF).

<WHITE SPACE> ist mit den Zeichencodes 00H bis einschließlich 20H definiert.

<WHITE SPACE> wird ignoriert, außer bei Befehlsunterscheidung, d. h. „*C LS“ ist nicht gleich „*CLS“.

Bei allen Zeichen wird das höchste Bit ignoriert.

Die Befehle unterscheiden nicht zwischen Groß-/Kleinschreibung.

GPIB Fernbedienungsformate

Die GPIB-Empfang des Gerätes wird über eine 256 Byte große Warteschlange gepuffert. Dies erfolgt unter Verwendung eines Interrupts, quasi im Hintergrund und unabhängig zu allen anderen übrigen Gerätefunktionen. Diese Warteschlange enthält die rohen, d. h. noch nicht mittels des Parser bearbeiteten Daten. Befehle (und Anfragen) werden der Reihe nach ausgeführt, d.h. der Parser beginnt erst mit einem neuen Befehl, nachdem der vorhergehende Befehl bzw. die vorhergegangene Anfrage vollständig abgearbeitet ist. Eine Sende-Warteschlange gibt es nicht, dies bedeutet, dass der Antwort-Formatierer, falls erforderlich unbegrenzt lange wartet. Erst dann setzt der Parser mit der Abarbeitung des nächsten Befehls aus der Eingabe-Warteschlange fort.

Befehle werden vom Steuergerät als <PROGRAM MESSAGES> gesendet, wobei jede Meldung aus null oder mehr <PROGRAM MESSAGE UNIT> -Elementen besteht, die durch <PROGRAM MESSAGE UNIT SEPARATOR> -Elemente voneinander getrennt sind.

Eine <PROGRAM MESSAGE UNIT> ist jeder Befehl in der Fernbedienungs-Befehlsliste.

Ein <PROGRAM MESSAGE UNIT SEPARATOR> ist das Semikolon „;“ (3BH).

<PROGRAM MESSAGES> werden von <PROGRAM MESSAGE TERMINATOR>-Elementen voneinander getrennt, die folgende Form haben können:

NL	Das Zeichen New Line (0AH), d.h. neue Zeile
NL^END	Das Zeichen New Line mit der END-Meldung.
^END	Die END-Meldung mit dem letzten Zeichen der Meldung.

Antworten vom Gerät an das Steuergerät werden als <RESPONSE MESSAGES> gesendet. Eine <RESPONSE MESSAGE> besteht aus einer <RESPONSE MESSAGE UNIT> mit anschließendem <RESPONSE MESSAGE TERMINATOR>.

Das Zeichen New Line mit der END-Meldung NL^END ist ein <RESPONSE MESSAGE TERMINATOR>.

Jede Abfrage erstellt eine spezifische <RESPONSE MESSAGE>, die zusammen mit dem Befehl in der Fernbedienungsbefehlsliste aufgeführt ist.

<WHITE SPACE> bleibt unberücksichtigt, ausgenommen bei Befehlskennzeichnern, wie z.B. '*C LS' entspricht nicht '*CLS'. <WHITE SPACE> wird mit den Zeichen 00H bis 20H je einschließlich definiert, mit Ausnahme des NL-Zeichens (0AH).

Das hochwertige Bit (MSB) der gesendeten Zeichen bleibt immer unberücksichtigt.

Bei den Befehlen brauchen Groß- und Kleinbuchstaben nicht beachtet zu werden.

Befehlsliste

In diesem Abschnitt sind alle Befehle und Abfragen für diese Gerätefamilie aufgeführt. Um die Kompatibilität der Befehle innerhalb der XEL-Reihe und mit anderen programmierbaren Netzgeräten zu gewährleisten, muss bei ausgangsspezifischen Befehlen immer die Ausgangsnummer zusammen mit dem Befehl angegeben werden, obwohl diese Geräte nur einen einzigen Ausgang besitzen (z. B. setzt V1 120 den Ausgang auf 120 Volt). Die wenigen Befehle für Doppelnetzgeräte in der XEL-Reihe sind hier der Vollständigkeit halber aufgeführt, werden aber in diesem Gerät ignoriert.

Zu beachten ist, dass keine abhängigen oder „gekoppelten“ Parameter, überlappende Befehle, Expression Programmdatelemente oder Mehrfachbefehl-Programmheader vorhanden sind - jeder Befehl wird vollständig ausgeführt, bevor der nächste Befehl gestartet wird. Die Befehle erfolgen der Reihe nach und die Meldung „Operation Complete“ (Vorgang abgeschlossen) wird in allen Fällen unmittelbar nach der Ausführung erstellt.

Folgende Nomenklatur wurde verwendet:

- <rm> <RESPONSE MESSAGE TERMINATOR>
- <nrf> Sämtliche Formate einer Zahl werden akzeptiert, wie z. B. 12, 12,00, 1,2 e1 und 120 e-1 für 12. Jede Zahl wird nach ihrem Empfang je nach erforderlicher Genauigkeit konvertiert, die ihrer Verwendung entspricht und dann gerundet, um den Wert des Befehls zu erhalten.
- <nr1> Eine Nummer ohne Bruchteil, d.h. eine Ganzzahl.
- <nr2> Eine Nummer mit Festkomma, z. B. 11,52, 0,78 usw.
- <n> Die Nummer des Ausganges (1 oder 2) oder Statusregisters, auf die sich der Befehl bezieht. Für Doppelnetzgeräte ist '1' der Master (rechter Ausgang) und '2' der Slave (linker Ausgang). Bei Einzelnetzgeräten ist <n> immer 1.

Die mit einem * beginnenden Befehle sind nach IEEE Std 488.2 als allgemeine Befehle implementiert. Sie funktionieren daher allesamt auch mit den anderen Schnittstellen, sind aber nicht alle von Nutzen.

Gerätespezifische Befehle

Bei Befehlen die per „WITH VERIFY“ verifiziert werden wird die Meldung „Vorgang abgeschlossen“ erst dann erzeugt wenn der einzustellende Parameter den erforderlichen Wert innerhalb von $\pm 5\%$ oder ± 10 Zählern erreicht hat (je nachdem welcher Wert größer ist). Werden diese Grenzwerte nicht innerhalb von 5 Sekunden erreicht so wird das „Verify Timeout“ Bit (Bit 3) im Standard Event Status Register gesetzt und die Operation gilt nach Ablauf dieses „Timeouts“ als abgeschlossen.

Das „Operation Complete Bit“ (Bit 0) im Standard Event Status Register wird ausschließlich mit dem OPC Befehl gesetzt. Der Befehl *OPC (oder *OPC?) kann zur Synchronisation der angeschlossenen Geräte verwendet werden.

V<n> <nrf>	Ausgangsspannung <n> auf <nrf> Volt setzen
V<n>V <nrf>	Ausgangsspannung <n> auf <nrf> Volt setzen, mit Verifizierung
OVP<n> <nrf>	Auslösepunkt für den Überspannungsschutz des Ausgangs <n> auf <nrf> Volt setzen
I<n> <nrf>	Strombegrenzung des Ausgangs <n> auf <nrf> Ampere setzen
OCP<n> <nrf>	Auslösepunkt für den Überstromschutz des Ausgangs <n> auf <nrf> Ampere setzen
V<n>?	Eingestellte Spannung des Ausgangs <n> rückmelden – Antwort ist V <n> <nr2><rmt> mit <nr2> in Volt
I<n>?	Eingestellte Strombegrenzung des Ausgangs <n> rückmelden – Antwort ist I <n> <nr2><rmt> mit <nr2> in Ampere
OVP<n>?	Überspannungseinstellung für Ausgang <n> rückmelden – Antwort ist VP<n> <nr2><rmt> mit <nr2> in Volt
OCP<n>?	Überstromeinstellung für Ausgang <n> rückmelden – Antwort ist IP<n> <nr2><rmt> mit <nr2> in Ampere
V<n>O?	Erfasste Ausgangsspannung für Ausgang <n> rückmelden – Antwort ist <nr2>V<rmt> mit <nr2> in Volt
I<n>O?	Erfassten Ausgangsstrom für Ausgang <n> rückmelden – Antwort ist <nr2>A<rmt> mit <nr2> in Ampere
IRANGE<n> <nrf>	Setzt den Strombereich des Ausgangs <n> auf <nrf>, wobei <nrf> mit 1 für den Niedrigstrombereich und mit 2 für den Hochstrombereich definiert wird. Ausgang muss vor dem Ändern des Bereichs ausgeschaltet werden.
IRANGE<n>?	Strombereich für Ausgang <n> rückmelden. Antwort ist <nr1><rmt>, wobei <nr1> mit 1 für den Niedrigstrombereich und 2 für den Hochstrombereich definiert wird.
DELTA V<n> <nrf>	Schrittgröße der Ausgangsspannung für Ausgang <n> auf <nrf> Volt setzen
DELTA I<n> <nrf>	Schrittgröße des Ausgangsstroms für Ausgang <n> auf <nrf> Ampere setzen
DELTA V<n>?	Schrittgröße der Ausgangsspannung für Ausgang <n> rückmelden – Antwort ist DELTA V<n> <nr2><rmt> mit <nr2> in Volt.
DELTA I<n>?	Schrittgröße des Ausgangsstroms für Ausgang <n> rückmelden – Antwort ist DELTA I<n> <nr2><rmt> mit <nr2> in Ampere.
INCV<n>	Ausgangsspannung für Ausgang <n> um die Schrittgröße für Ausgang <n> erhöhen
INCV<n>V	Ausgangsspannung für Ausgang <n> um die Schrittgröße für Ausgang <n> erhöhen (mit Verifizierung)
DECV<n>	Ausgangsspannung für Ausgang <n> um die Schrittgröße für Ausgang <n> senken
DECV<n>V	Ausgangsspannung für Ausgang <n> um die Schrittgröße für Ausgang <n> senken (mit Verifizierung)
INCI<n>	Strombegrenzung für Ausgang <n> um die Schrittgröße für Ausgang <n> erhöhen

DECI<n>	Strombegrenzung für Ausgang <n> um die Schrittgröße für Ausgang <n> senken.
OP<n> <nrf>	Ausgang <n> auf Ein/Aus stellen wobei <nrf> folgende Bedeutung hat: 0=OFF, 1=ON <n> auf 3 setzen, um den den Nebenausgang zu steuern
OPALL <nrf>	Gleichzeitig alle Ausgänge auf Ein/Aus stellen wobei <nrf> folgende Bedeutung hat: 0=All OFF, 1=ALL ON. Dieser Befehl hat bei diesem Gerät dieselbe Funktion wie OP<n> <nrf>. Wenn OPALL alle Ausgänge auf ON schalten bleiben alle bereits eingeschalteten Ausgänge weiterhin ON Wenn OPALL alle Ausgänge auf OFF schaltet bleiben alle bereits ausgeschalteten Ausgänge weiterhin OFF
OP<n>?	Rückmeldung des Ein/Aus-Status für Ausgang <n>. Antwort ist is <nr1><rmt> wobei 1 = ON, 0 = OFF.
TRIPRST	Versuche alle Auslösebedingungen zu löschen
LOCAL	Auf Lokalbetrieb gehen. Gibt keine aktive Schnittstellensperre frei, sodass die Sperre auf der gewählten Schnittstelle verbleibt, wenn der nächste Fernsteuerungsbefehl erhalten wird.
IFLOCK	Schnittstellensperre anfordern. Dieser Befehl fordert die alleinige Zugangssteuerung für das Gerät an. Die Antwort ist 1 falls erfolgreich, oder -1 wenn die Sperre nicht verfügbar ist, weil sie entweder bereits verwendet wird oder weil der Benutzer die Steuerungsmöglichkeit dieser Schnittstelle über die Webseite deaktiviert hat.
IFLOCK?	Statusanfrage für die Schnittstellensperre. Die Antwort ist 1 wenn die fragende Schnittstelle bereits gesperrt ist, 0 falls keine Sperre aktiv ist oder -1 wenn die Sperre nicht verfügbar ist, weil sie entweder bereits verwendet wird oder weil der Benutzer die Steuerungsmöglichkeit dieser Schnittstelle über die Webseite deaktiviert hat.
IFUNLOCK	Falls möglich Sperre freigeben. Bei Erfolg meldet dieser Befehl den Wert 0 zurück. Falls nicht erfolgreich wird der Wert -1 rückgemeldet, 200 im Execution Register übertragen und Bit 4 des Event Status Register gesetzt, um anzuzeigen, dass keine Berechtigung zur Sperrfreigabe besteht.
LSR<n>?	Limit Status Register LSR<n> abfragen und löschen – Antwort ist <nr1><rmt>. Weitere Informationen zur Antwort entnehmen Sie bitte dem Abschnitt „Statusberichterstattung“.
LSE<n> <nrf>	Wert des Limit Status Enable Registers LSE<n> auf <nrf> setzen
LSE<n>?	Wert des Limit Status Enable Registers LSE<n> rückmelden – Antwort ist <nr1><rmt>
SAV<n> <nrf>	Die aktuelle Einstellung des Netzgeräts <n> mit der durch <nrf> angegebenen Speichernummer speichern, wobei <nrf> die Werte 0-9 annehmen kann. Befindet sich das Gerät im Link Modus wird die gesamte Einstellung des Geräts im mit <nrf> bestimmten Speicher für den Link Modus abgelegt. Der Parameter <n> wird ignoriert. Dies hat keine Auswirkung auf die individuell gespeicherten PSU<n> Werte, die in den anderen Betriebsarten gültig sind.

RCL<n> <nrf>	Eine Einstellung des Netzgeräts <n> mit der durch <nrf> angegebenen Speichernummer aufrufen, wobei <nrf> die Werte 0-9 annehmen kann Befindet sich das Gerät im Link Modus wird die gesamte Einstellung des Geräts aus dem mit <nrf> bestimmten Speicher aufgerufen. Der Parameter <n> wird ignoriert.
RATIO <nrf>	Setzt das Verhältnis von Ausgang 2 (Slave) zu Ausgang 1 (Master) im Tracking-Betrieb auf <nrf>, wobei <nrf> das Verhältnis in Prozent angibt (0 bis 100). Hat keine Wirkung bei diesem Gerät.
RATIO?	Abfrage des Verhältnisses von Ausgang 2 (Slave) zu Ausgang 1 (Master) im Tracking-Betrieb. Antwort ist <nrf>, wobei <nrf> das Verhältnis in Prozent angibt (0 bis 100). Hat keine Wirkung bei diesem Gerät.

System- und Statusbefehle

*CLS	Clear Status. Hiermit werden die Register Standard Event Status, Query Error und Execution Error gelöscht. Auf diese Weise wird auch das Status Byte Register indirekt gelöscht.
EER?	Abfragen und Löschen des Execution Error Registers. Das Antwortformat hat die Form nr1<rmt>.
*ESE <nrf>	Standard Event Status Enable Register auf den Wert von <nrf> setzen.
*ESE?	Sendet den Wert im Standard Event Status Enable Register im numerischen Format <nr1> zurück. Die Syntax der Antwort lautet <nr1><rmt>.
*ESR?	Sendet den Wert im Standard Event Status Register im numerischen Format <nr1> zurück. Anschließend wird das Register gelöscht. Das Antwortformat hat die Form <nr1><rmt>. Weitere Informationen zur Antwort entnehmen Sie bitte dem Abschnitt „Statusberichterstattung“.
*IST?	Sendet die Lokalmeldung „ist“ laut Definition der Norm IEEE 488.2 zurück. Die Syntax der Antwort lautet 0<rmt>, wenn die lokale Antwort falsch ist, bzw. 1<rmt>, wenn die lokale Meldung wahr ist.
*OPC	Setzt das „Operation Complete“ (Vorgang abgeschlossen)-Bit (Bit 0) im Standard Event Status Register. Aufgrund des sequentiellen Ablaufs aller Vorgänge geschieht dies unmittelbar nach Ausführung des Befehls.
*OPC?	Query Operation Complete Status (Abfrage des Status „Vorgang abgeschlossen“). Die Syntax der Antwort lautet 1<rmt>. Aufgrund des sequentiellen Ablaufs aller Vorgänge steht die Antwort unmittelbar nach Ausführung des Befehls zur Verfügung.
*PRE <nrf>	Parallel Poll Enable Register auf den Wert von <nrf> stellen.
*PRE?	Sendet den Wert im Parallel Poll Enable Register im numerischen Format <nr1> zurück. Die Syntax der Antwort lautet <nr1><rmt>.
QER?	Abfragen und Löschen des Query Error Registers. Das Antwortformat hat die Form nr1<rmt>
*RST	Setzt das Gerät auf die Fernsteuerungs-Standard Einstellungen zurück. Die Einstellungen für die Fernschnittstelle, gespeicherte Einstellungen, Vmin/Vmax Werte und Ausgangsstatus beim Einschalten bleiben unverändert (siehe den Abschnitt „Standard Einstellungen für den ferngesteuerten Betrieb“ im Kapitel „Bedienung der Fernschnittstelle“).

*SRE <nrf>	Service Request Enable Register auf <nrf> setzen.
*SRE?	Sendet den Wert im Service Request Enable Register im numerischen Format <nr1> zurück. Die Syntax der Antwort lautet <nr1><rmt>.
*STB?	Sendet den Wert im Status Byte Register im numerischen Format <nr1> zurück. Die Syntax der Antwort lautet <nr1><rmt>.
*WAI	Abwarten bis „Operation Complete“ (Vorgang abgeschlossen) wahr ist. Da sämtliche Befehle vollständig ausgeführt werden, bevor der jeweils nächste gestartet wird, bedarf dieser Befehl keiner zusätzlichen Maßnahme.

Diverse Befehle

*IDN?	Gibt die Geräteerkennung an. Die genaue Antwort richtet sich nach der Gerätekonfiguration und hat die Form <NAME>,<Modell>, Seriennr., <Version><rmt>, wobei für <NAME> der Herstellername erscheint, für <Modell> der Gerätetyp, Seriennr. ist die spezifische Seriennummer und für <Version> die installierte Software-Version. Das Format für die <version> ist X.xx – Y.yy, wobei 'X.xx' die Revisionsnummer der Geräte-Firmware und 'Y.yy' die Revisionsnummer der Interface-Firmware angibt. Die Interface-Firmware ist über den USB-Port vom Benutzer vor Ort aktualisierbar.
ADDRESS?	Bus-Adresse des Geräts rückmelden. Antwort ist <nr1><rmt>. Dies ist die von GPIB verwendete Adresse (falls vorhanden), oder kann als allgemeine Kennung von den anderen Schnittstellen verwendet werden.
CONFIG?	Meldet die Betriebsart des MODE Schalters auf der Gerätevorderseite. Antwortformat ist <nr1><rmt>, wobei <nr1> Einzelnetzgeräte und Doppelnetzgeräte im Parallelbetrieb durch 1 identifiziert, Doppelnetzgeräte mit unabhängig arbeitenden Kanälen mit 2 kennzeichnet und Doppelnetzgeräte im Tracking-Betrieb mit 0 meldet.
DAMPING<n> <nrf>	Setzt die Mittelwertberechnung des Amperemessers (I_{AVG}) des Ausgangs <n>, wobei <nrf> folgende Bedeutung hat: 0 = OFF, 1 = ON.
NOLANOK <nrf>	Deaktiviert die Meldung LAN Err , falls keine LAN-Verbindung beim Einschalten erkannt wird (<nrf> ist 1) bzw. deaktiviert diese Meldung (<nrf> ist 0).
*TST?	Der Generator besitzt keine Eigentesteinrichtung, weshalb die Antwort stets 0 <rmt> lautet.
*TRG	Der Generator besitzt keine Triggerfunktion. Der Befehl wird akzeptiert, führt aber zu keiner Aktivität.

Fehlermeldungen

Jede Fehlermeldung hat eine Nummer - nur diese Nummer wird über die Fernbedienungs-Schnittstellen ausgegeben. Fehlermeldungen werden nicht angezeigt, sondern im Execution Error Register gespeichert, wo sie durch die Fernbedienungs-Schnittstellen gelesen werden können (siehe Abschnitt „Status-Berichterstattung“).

Wartung

Die Hersteller bzw. deren Vertretungen im Ausland bieten die Reparatur von Geräten an, bei denen eine Störung aufgetreten ist. Wenn der Eigentümer die Wartungsarbeiten selbst durchführen möchte, hat er dafür Sorge zu tragen, dass diese Arbeiten ausschließlich von entsprechend qualifiziertem Personal und gemäß Wartungshandbuch ausgeführt werden, das direkt von den Herstellern oder deren Vertretungen im Ausland bezogen werden kann.

Reinigung

Falls die Stromversorgung der Reinigung bedarf, einen mit Wasser oder einem milden Detergens angefeuchteten Lappen benutzen. Anzeigefenster mit einem weichen, trockenen Lappen polieren.

WARNUNG! ZUR VERMEIDUNG EINES ELEKTRISCHEN SCHLAGS BZW. BESCHÄDIGUNG DER STROMVERSORGUNGSEINHEIT, DAFÜR SORGEN, DASS KEIN WASSER INS GEHÄUSE EINDRINGT UM SCHADEN AM GEHÄUSE BZW. AM ANZEIGEFENSTER ZU VERMEIDEN, KEINE LÖSUNGSMITTEL ZUR REINIGUNG VERWENDEN!

Questo strumento appartiene alla Categoria di Sicurezza 1, secondo la classifica IEC, ed è stato progettato in modo da soddisfare i criteri EN61010-1 (requisiti di Sicurezza per Apparecchiature di misura, controllo e per uso in laboratorio). È uno strumento di Categoria d'installazione II ed è inteso per il funzionamento con un'alimentazione normale monofase.

Questo strumento ha superato le prove previste da EN61010-1 e viene fornito in uno stato di sicurezza normale. Questo manuale contiene informazioni e avvertenze che devono essere seguite per assicurare un funzionamento sicuro e mantenere lo strumento in condizioni di sicurezza.

Questo strumento è progettato per uso all'interno e in un ambiente d'inquinamento Grado 2, entro la gamma di temperatura da 5°C a 40°C, con umidità relativa (non condensante) di 20% - 80%. Può occasionalmente essere assoggettato a temperature fra +5°C e -10°C senza comprometterne la sicurezza. Non usare in presenza di condensazione.

L'uso dello strumento in maniera non conforme a quanto specificato in queste istruzioni potrebbe pregiudicare la protezione di cui è dotato. Non usare lo strumento per misurare tensioni al di sopra dei valori nominali o in condizioni ambientali al di fuori di quelle specificate.

ATTENZIONE: QUESTO STRUMENTO DEVE ESSERE COLLEGATO A TERRA

Una qualsiasi interruzione sia interna che esterna del collegamento a terra rende pericoloso questo strumento. È proibito interrompere questo collegamento deliberatamente. L'azione protettiva non deve essere negata dall'uso di una prolunga priva conduttore di protezione.

Quando lo strumento è collegato all'alimentazione, alcuni morsetti sono sotto tensione e l'apertura dei coperchi o la rimozione di parti (eccetto quei componenti accessibili senza l'uso di attrezzi) può lasciare scoperti i morsetti sotto tensione. Prima di aprirla per eseguire regolazioni, manutenzione o riparazioni, l'apparecchiatura deve essere staccata da tutte le sorgenti di tensione. I condensatori collegati all'alimentazione interna possono essere carichi anche dopo aver staccato l'alimentazione ma si scaricano in tutta sicurezza circa 1 minuto dopo aver staccato la corrente.

Per quanto possibile, si consiglia di evitare qualsiasi operazione di regolazione e riparazione quando lo strumento è sotto tensione e, qualora fosse inevitabile, dette operazioni devono essere eseguite da una persona specializzata in materia, che sia pienamente conscia del pericolo presente.

Quando sia chiaro che lo strumento è difettoso, o che ha subito un danno meccanico, un eccesso di umidità, o corrosione a mezzo di agenti chimici, la sicurezza potrebbe essere stata compromessa e lo strumento deve essere ritirato dall'uso e rimandato indietro per le prove e le riparazioni del caso.

Assicurarsi di usare solo fusibili della portata giusta e del tipo corretto durante eventuali sostituzioni. Sono proibiti sia l'uso di fusibili improvvisati che il corto circuito deliberato dei portafusibili. Evitare di bagnare lo strumento quando lo si pulisce.

Sullo strumento e in questo manuale si fa uso dei seguenti simboli.



Attenzione – pericolo. Consultare il presente manuale per individuare la tipologia del rischio potenziale e gli interventi da effettuare.



Terminale di terra



alimentazione OFF (spenta)



alimentazione ON (accesa)



Corrente Alternata

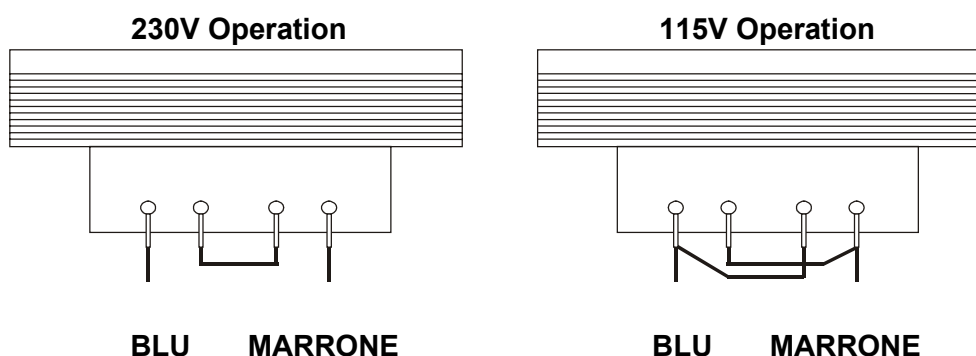


Corrente Continua

Tensione di esercizio

Controllare che la tensione di esercizio dello strumento segnalata sul pannello posteriore sia conforme alla tensione di alimentazione locale. Se fosse necessario modificarla, procedere come segue:

1. Verificare che lo strumento sia staccato dall'alimentazione elettrica AC.
2. Rimuovere i rivetti a pressione di plastica alle estremità della copertura superiore. Inserire la punta di un piccolo cacciavite per estrarre la testa del rivetto, quindi rimuoverlo completamente. Rimuovere le due viti del pannello posteriore che fissano la copertura superiore, quindi farla scivolare indietro e sfilarla.
3. Cambiare le connessioni del trasformatore (due trasformatori sul duale) secondo il diagramma qui sotto:



4. Riassemblare eseguendo la stessa operazione in ordine inverso. Per la conformità ai requisiti di sicurezza standard, la tensione di esercizio segnata sul pannello posteriore deve essere modificata e sostituita con la nuova tensione.

Fusibile

Il fusibile elettrico è ubicato nel cassetto apposito, nella parte inferiore del connettore IEC interno.

Il tipo corretto di fusibile è 20 x 5mm 250V HBC ritardato con la seguente potenza:

230V operation : 1.6A (T)

115V operation : 3.15A (T)

Accertarsi di utilizzare solo i fusibili della potenza e del tipo prescritti per eventuali sostituzioni. L'uso di fusibili improvvisati e la cortocircuitazione del portafusibili è vietato.

Cavo di alimentazione

Collegare lo strumento all'alimentazione AC utilizzando il cavo di alimentazione fornito. Se è necessaria una spina di alimentazione per uno zoccolo diverso, è necessario utilizzare un cavo adatto e approvato, con spina a muro e connettore IEC60320 C13 per il collegamento con lo strumento. Per determinare la portata corretta del set di cavi per l'alimentazione AC desiderata, fare riferimento alle informazioni sull'attrezzatura e alle Specifiche.

AVVERTENZA! LO STRUMENTO DEVE ESSERE PROVISTO DI MESSA A TERRA.

Qualsiasi interruzione del conduttore di messa a terra dell'alimentazione interno o esterno allo strumento, lo renderà pericoloso. È vietata qualsiasi interruzione intenzionale.

Montaggio

Questo strumento può essere montato su banco o a muro. Un kit per montaggio su scaffale di 19" è disponibile presso il Produttore o le sue rappresentanze estere.

Ventilazione

L'alimentazione elettrica viene raffreddata da una ventola intelligente a più velocità che coadiuva la convezione verticale. Fare attenzione a non coprire le prese d'aria in basso o le ventole nella parte superiore. Una volta montato a muro, lasciare sopra e sotto lo strumento lo spazio per una adeguata ventilazione e/o utilizzare un cassetto di ventilazione per ventilazione forzata.

Connessioni del pannello frontale

Il carico deve essere connesso ai terminali positivo (rosso) e negativo (nero) con la scritta OUTPUT. Entrambi sono completamente liberi e possono essere connessi a terra.

Connessioni a sensori remoti alla tensione di carico, se necessarie, vengono eseguite dai terminali a SENSE (sensori) positivo (+) e negativo (-). Ruotare lo switch LOCAL/REMOTE (LOCALE/REMOTO) su REMOTE (remoto) quando si desidera utilizzare i sensori remoti. In caso contrario, tornare su LOCAL (locale).



Attenzione! Le tensioni superiori a 70 V c.c. sono pericolose, come specifica la norma EN 61010-1; prestare molta attenzione quando si utilizza un alimentatore con tensioni superiori a questo valore.

Gli adattatori a vite di sicurezza universali utilizzati per l'uscita soddisfano i requisiti di isolamento rinforzato per tensioni fino a 250 V c.c. in quanto la dispersione e la distanza dai contatti del morsetto sono superiori a 2,5 mm anche quando l'adattatore a vite è completamente aperto. Si consiglia comunque di stringere completamente i morsetti a vite e di **effettuare le connessioni usando solo cavi provvisti di spine di protezione da 4 mm a schermatura fissa.**

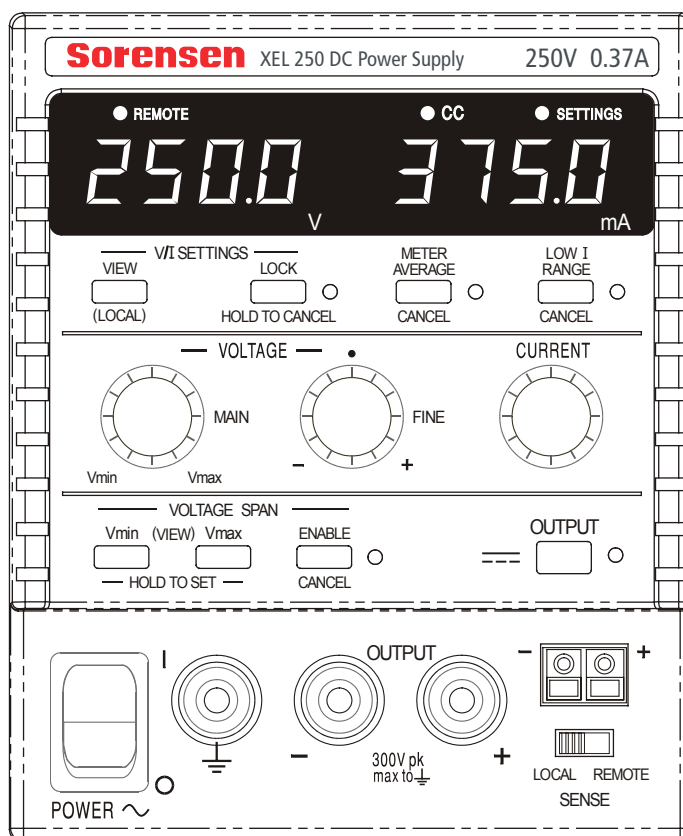
Le connessioni a ciascun morsetto Sense vengono effettuate inserendo l'estremità nuda del cavo Sense nel contatto premendo e poi rilasciando il pulsante a molla per bloccare il filo. Assicurarsi che l'estremità esposta del filo sia completamente inserita ed impossibile da toccare.



Effettuare sempre le connessioni allo strumento con OUTPUT disattivato.

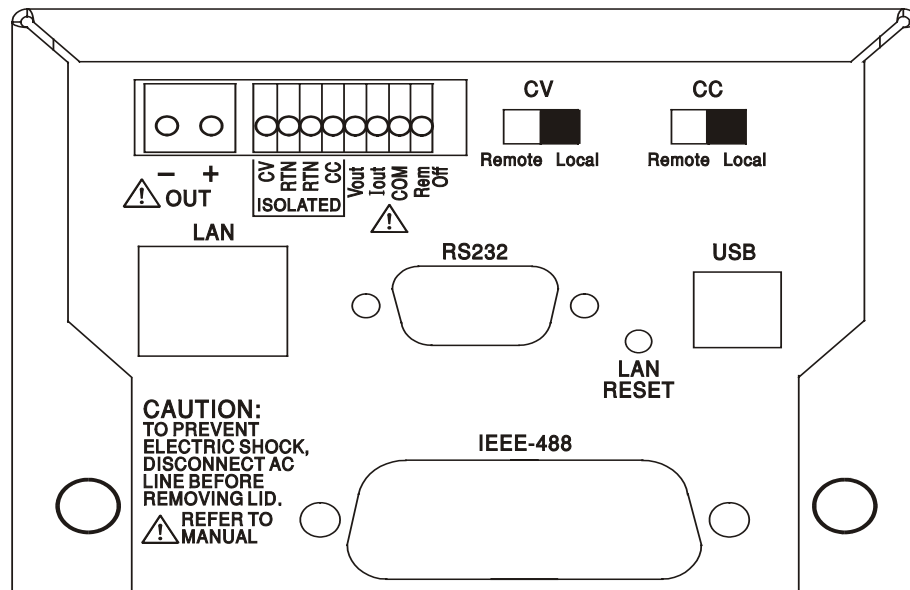
Il terminale con la scritta \perp è connesso alla terra dello chassis e alla messa a terra.

VISTA DEL PANNELLO FRONTALE



Connessioni del pannello posteriore (programmabili solo modelli)

I modelli non programmabili non prevedono la presenza di connessioni sul pannello posteriore. Le connessioni del pannello posteriore della figura seguente si riferiscono alle unità programmabili:



Terminali Output e Sense principali

I morsetti Output sono duplicati nella morsettiera del pannello posteriore; per motivi di spazio, il gruppo OUT riporta solo i simboli a + e $-$. Queste connessioni sono in parallelo con quelle equivalenti del pannello frontale.

Le connessioni a rilevamento remoto non sono disponibili nel pannello posteriore; se un'applicazione richiede il rilevamento remoto, è possibile usare i morsetti Sense frontali. Quando si utilizza il rilevamento remoto portare l'interruttore LOCAL/REMOTE (LOCALE/REMOTO) su REMOTE (REMOTO). Quando si utilizzano i terminali Output del pannello posteriore, si raccomanda di adottare sempre il rilevamento remoto per assicurare che la regolazione di uscita venga mantenuta entro le specifiche. Quando non si usa il rilevamento remoto, riportare l'interruttore su LOCAL (LOCALE).

Controllo analogico remoto

I collegamenti CV e CC sono destinati, rispettivamente, al controllo analogico di Output Voltage (Tensione di uscita) e di Current Limit (Limite di corrente) quando gli interruttori a cursore CV e CC sono impostati su Remote. Questi ingressi e il segnale di ritorno comune (RTN) sono isolati dall'uscita; la frequenza di isolamento rispetto all'uscita è di 300 V max. La scala di ingresso può essere impostata indipendentemente, tramite collegamenti interni, a 0-5 Volt (impostazione di fabbrica) o a 0-10 Volt per un'uscita massima 0-100%. L'assorbimento massimo consentito è di 60 V. CV e CC possono essere utilizzati indipendentemente oppure insieme.

Quando non si usa il controllo analogico remoto, gli interruttori a cursore CV e CC devono essere impostati su Local.

Uscita analogica

I collegamenti V_{OUT} e I_{OUT} forniscono uscite analogiche calibrate, rispettivamente, alla tensione di uscita e al limite di corrente impostati. La scala è fissata a 0-5 Volt per un'uscita massima 0-100%. Sui terminali sono sempre presenti V_{OUT} e I_{OUT} , indipendentemente dal fatto che lo strumento sia soggetto a un controllo locale o remoto.



Attenzione! COM si riferisce al circuito di controllo di uscita ed è ~1 V rispetto al potenziale di uscita positivo. V_{OUT} e I_{OUT} sono sempre presenti sui morsetti.



Non applicare tensioni esterne a questi terminali.

On/Off remoto

La chiusura dell'interruttore o una logica di basso ai collegamenti Rem Off e COM determinerà la disattivazione dell'uscita. Il segnale di ritorno COM fa riferimento all'uscita di alimentazione positiva.



Attenzione! COM si riferisce al circuito di controllo di uscita ed è ~1 V rispetto al potenziale di uscita positivo.



Non applicare tensioni esterne a questi terminali.

RS232

Connettore D femmina a 9 pin collegati come qui sotto riportato. Può essere connesso a una porta standard di un PC tramite un cavo maschio-femmina 1:1 completamente cablato e senza alcun tipo di collegamento incrociato.

Pin	Nome	Descrizione
1	RI	Definito passivamente (+V - 10k Ω)
2	TXD	Dati trasmessi dallo strumento
3	RXD	Dati inviati allo strumento
4	CTS	
5	GND	Terra
6	RTS	Definito passivamente (+V - 10k Ω)
7	DSR	Nessun collegamento interno
8	DTR	
9	CD	Nessun collegamento interno

Il segnale di terra è collegato al sistema di terra dello strumento.

USB

La porta USB è collegata al sistema di terra dello strumento. È conforme alle specifiche USB 2.0 (Full Speed) e richiede un cavo USB standard. Le funzioni Plug-and-Play di Windows dovrebbero riconoscere automaticamente il collegamento dello strumento. Se non viene rilevato il driver corretto, seguire le indicazioni a video di Windows e installare i file richiesti, contenuti nel CD fornito.

LAN

L'interfaccia LAN è stata progettata per soddisfare i requisiti LXI (Lan eXtensions for Instrumentation) versione 1.2; lo strumento è conforme alla Classe C. Il protocollo TCP/IP Sockets consente di attivare il controllo remoto tramite l'interfaccia LAN. Lo strumento contiene anche un server Web basilare che fornisce le informazioni sull'unità, consentendone anche la configurazione. Dato che vi è il rischio di interferire con la configurazione dell'interfaccia LAN, rendendo così impossibile la comunicazione LAN con lo strumento, il pannello posteriore contiene un interruttore separato (contrassegnato LAN RESET [Reimpostazione LAN]) per l'attivazione della procedura LAN Configuration Initialize (LCI, Inizializza configurazione LAN) per il ripristino delle impostazioni di fabbrica predefinite.

Per ulteriori particolari si rimanda al capitolo "Operatività remota". Per altre informazioni sugli standard LXI accedere a www.lxistandard.org/home.

GPIB (Opzione di fabbrica, su programmabili solo modelli)

I segnali di terra GPIB sono collegati al sistema di terra dello strumento. I sottoinsiemi adottati sono: SH1 AH1 T6 TE0 L4 LE0 SR1 RL2 PP1 DC1 DT0 C0 E2

Per l'impostazione dell'indirizzo GPIB si utilizza il pannello frontale.

Operatività manuale

Nel presente operating manuale, i tasti e gli zoccoli sul pannello frontale sono riportati in maiuscolo, ad esempio CURRENT, OUTPUT, LOCK. I messaggi visualizzati sul display a 7 segmenti sono mostrati in caratteri diversi, ad esempio **turn OFF**, **OTp trip**. Le funzioni aggiuntive dello strumento Dual Quad-mode sono descritte tutte insieme alla fine di questo capitolo.

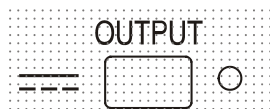
Accensione e condizioni in fase di attività


L'interruttore di accensione (POWER) si trova in basso a sinistra sul pannello frontale. Quando è collocato su (I) il manometro a destra indica brevemente la revisione del firmware prima che il display visualizzi i Volt e le Ampere di uscita.

Per i modelli XEL-P programmabili, vi è una diversa sequenza di visualizzazione predefinita al momento dell'accensione: prima di visualizzare i valori Volt e Ampère, il manometro sulla destra indica per un breve periodo il numero di revisione firmware dello strumento seguito dal numero di revisione firmware dell'interfaccia (sul manometro a sinistra appare l'indicazione **IF**). Se, dopo alcuni secondi, non viene rilevata alcuna connessione LAN fisica, il visore dello strumento lampeggerà per 10 secondi riportando, alternativamente, i valori correnti della tensione e della corrente e il messaggio **LAN Err**. L'indicazione della mancata rilevazione di una connessione LAN al momento dell'accensione è uno dei requisiti essenziali di conformità LXI che potrà, tuttavia, essere disabilitata con il comando "NOLANOK 1" su una qualsiasi interfaccia; per altre informazioni si rimanda al paragrafo degli Errore LAN della sezione "Operatività con l'interfaccia remota". Questa modifica di potenza in fase di impostazione viene mantenuta tale fino a quando non verrà annullata da un comando "NOLANOK 0", oppure tramite l'interruttore LAN RESET del pannello posteriore per ripristinare le impostazioni LAN di fabbrica predefinite. Vedere il paragrafo LAN della sezione "Operatività con l'interfaccia remota".

Si tenga presente che i messaggi visualizzati non interferiscono con l'operatività di alimentazione vera e propria.

All'accensione, nelle preimpostazioni dalla fabbrica l'uscita dovrebbe trovarsi su spenta. Le tensioni e le correnti di uscita predefinite saranno determinate dalle impostazioni attive del controllo e verranno riportate sul visore. Tutte le altre configurazioni si ritroveranno nelle condizioni in cui si sono lasciate prima dell'ultima disattivazione.




Lo stato dell'uscita DC all'accensione può essere impostato per essere 'sempre off' o 'come prima dell'ultima disattivazione'. La configurazione può essere cambiata come segue: tenendo premuto il tasto VIEW (visualizza), tenere premuto il tasto OUTPUT ; il display all'inizio mostrerà la configurazione presente per 1 secondo (**OP OFF** se è ancora selezionata quella di fabbrica) prima di cominciare a lampeggiare quella nuova per 2 secondi (**LAST Set** in questo caso). Dopo 2 secondi la nuova impostazione rimane fissa sul display e la modifica viene realizzata; a questo punto, rilasciare i tasti OUTPUT e VIEW.

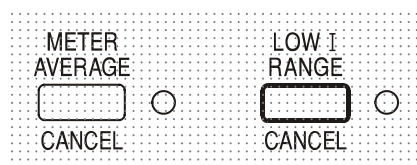
La ripetizione della procedura riporterà l'impostazione allo stato precedente.

Controllo uscita

Impostazione dell'uscita

Con l'alimentazione (power) attivata e il  OUTPUT spento, la tensione d'uscita e il limite di corrente possono essere accuratamente preimpostati utilizzando i controlli VOLTAGE (tensione) e CURRENT (corrente); il misuratore a sinistra mostra la tensione impostata, quello a sinistra, il valore massimo di corrente e l'indicatore delle SETTINGS (impostazioni) è acceso.

Quando lo switch d'uscita è attivato, l'indicatore OUTPUT si accende; il misuratore a sinistra ora visualizza la tensione corrente e quello a destra la tensione di carico.



Il limite più alto del controllo di CURRENT può essere posizionato tra quello massimo per questo modello e 75mA, con pressioni alternate del tasto LOW I RANGE, che offre la possibilità di impostare i limiti di corrente e la risoluzione di misurazione (da 0.01mA fino a 75mA) in maniera più precisa; l'indicatore accanto al tasto è acceso quando è selezionata la gamma bassa.

Per modificare la portata del limite di corrente, l'uscita deve essere disattivata; se attiva, nel display appare brevemente il messaggio di avvertimento **turn OFF**, l'indicatore OUTPUT lampeggia e la portata rimane immutata.

Tensione costante

La tensione d'uscita è regolata utilizzando i controlli VOLTAGE principale e fine; il controllo CURRENT imposta la corrente massima che può essere fornita.

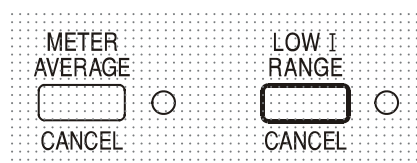
Corrente costante

Se la resistenza di carico è così bassa che, all'impostazione della tensione d'uscita, una corrente maggiore dei limiti correnti impostati fluttuerebbe, l'alimentatore passerà automaticamente a funzionare a corrente costante. L'uscita di corrente viene regolata utilizzando il controllo CURRENT e i controlli VOLTAGE impostano la tensione massima che può essere generata. L'indicatore CC si illumina e mostra la modalità corrente costante.

Uscita di corrente istantanea

Il controllo del limite di corrente può essere impostato per limitare la corrente d'uscita continua a livelli inferiori a 0.1mA (portata 0.01mA su 75mA). Tuttavia, come in tutti gli alimentatori da banco, un condensatore è connesso all'uscita per mantenere la stabilità e una buona risposta transiente. Questo condensatore si carica alla tensione d'uscita; un carico in uscita produrrà così un impulso di corrente dato che il condensatore si scarica, indipendente dalle impostazioni del limite di corrente.

Media di misurazione di corrente



Per ridurre il jitter di misurazione con correnti di carico che variano rapidamente si può selezionare un tempo costante di 2 secondi, premendo il tasto METER AVERAGE (media del misuratore). Per CANCEL (annullare) la media di misurazione e tornare al tempo costante standard di 20ms, premere di nuovo il tasto.

Connessione al carico

Il carico deve essere connesso ai terminali d'OUTPUT positivo (rosso) e negativo (nero). Entrambi sono completamente liberi e possono essere connessi a terra.



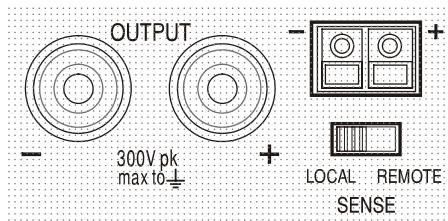
Attenzione! Le tensioni superiori a 70 V c.c. sono pericolose, secondo le indicazioni della norma EN 61010-1; prestare molta attenzione quando si utilizza un alimentatore con tensioni superiori a questo valore.

Si consiglia di effettuare le connessioni usando solo cavi provvisti di morsetti a cappuccio da 4 mm a schermatura fissa. Accertarsi che il circuito a cui vengono effettuate le connessioni sia opportunamente isolato; in conformità alla norma EN61010-1, evitare che, in condizioni normali o in presenza di un singolo guasto, i componenti accessibili del circuito esterno vadano sotto tensione, creando una condizione di pericolo.

Effettuare sempre le connessioni allo strumento con OUTPUT disattivato.

Sensori remoti

L'uso dei sensori remoti è raramente richiesto poiché la corrente di uscita massima dello strumento è bassa. Tuttavia, anche a bassa corrente la resistenza dei terminali di connessione può causare differenze tra la tensione di alimentazione indicata e la tensione di carica effettiva (due cavi di collegamento da 200 mΩ calano di 0,2 V a 500 mA, ad esempio).



Questo problema può essere minimizzato utilizzando cavi corti e spessi, ma se necessario può essere completamente superato utilizzando la funzione di sensore remoto.

Ciò richiede la connessione dei terminali dei sensori all'uscita del carico invece che alla fonte; inserire i cavi nei terminali del SENSE (sensore) alla fonte e connettere direttamente al carico. Ruotare lo switch LOCAL/REMOTE su REMOTE.



Attenzione! Le tensioni superiori a 70 V c.c. sono pericolose, come specifica la norma EN 61010-1; prestare molta attenzione quando si utilizza un alimentatore con tensioni superiori a questo valore.

Assicurarsi che l'estremità esposta del cavo sia completamente inserita e impossibile da toccare.

Effettuare sempre le connessioni allo strumento con OUTPUT disattivato.

Accertarsi che il circuito a cui vengono effettuate le connessioni sia opportunamente isolato; in conformità alla norma EN61010-1, evitare che, in condizioni normali o in presenza di un singolo guasto, i componenti accessibili del circuito esterno vadano sotto tensione, creando una condizione di pericolo.

Per evitare instabilità e problemi di risposta transiente, bisogna fare attenzione a garantire un buon accoppiamento tra ogni uscita e il cavo del sensore. Ciò si può eseguire sia intrecciando i cavi sia utilizzando cavi coassiali schermati (sensore su quello interno). Può essere utile anche un condensatore elettrolitico con tensione nominale adatta sul punto di collegamento del carico. La caduta di tensione in ciascun cavo d'uscita non deve superare gli 0,5 Volt. Ruotare lo switch LOCAL/REMOTE di nuovo su LOCAL quando il sensore remoto non è in funzione.

Connessioni di uscita e rilevamento remoto sui modelli programmabili

Sul pannello posteriore di tutti i modelli programmabili vi è una duplicazione dei terminali Output e Sense, particolarmente utili quando gli strumenti sono montati su rack. Se è necessario il rilevamento remoto, è possibile usare i terminali Sense anteriori. Collegare i terminali Sense al carico, seguendo le indicazioni sopra riportate e impostare l'interruttore LOCAL/REMOTE su REMOTE. Quando si utilizzano i terminali Output del pannello posteriore senza sensore remoto, accertarsi che l'interruttore del pannello frontale sia impostato su LOCAL.

Connessioni parallele e in serie con altre uscite

Le uscite dell'alimentatore sono completamente libere e possono essere utilizzate in serie con altre unità di alimentazione per generare tensioni DC che arrivano fino a 300V DC.



La tensione massima possibile tra i terminali e la messa a terra (\perp) è 300V DC



Attenzione! Le tensioni superiori a 70 V c.c. sono pericolose, come specifica la norma EN 61010-1; prestare molta attenzione quando si utilizza un alimentatore con tensioni superiori a questo valore. **Effettuare sempre le connessioni allo strumento con OUTPUT disattivato.**

Si noti che l'unità può solo fornire corrente, e non riceverla, e di conseguenza le unità non possono essere collegate in serie in antifase.

L'unità può essere connessa in parallelo con altre per produrre correnti più alte. Quando diverse unità sono collegate in parallelo, la tensione d'uscita sarà la stessa di quella dell'unità con le impostazioni di tensione d'uscita maggiore, fino a che la sottrazione di corrente non supererà l'impostazione del suo limite di corrente; quindi l'uscita scenderà a quella dell'impostazione più bassa seguente, e così via. In modalità corrente costante, le unità possono essere collegate in parallelo per fornire una corrente uguale alla somma delle impostazioni dei limiti di corrente.

Protezione

L'uscita dispone di una protezione intrinseca contro i cortocircuiti ed è protetta contro i ritorni di tensione da un diodo; la corrente continua di ritorno non deve eccedere 3 Ampere, benché i transienti possano essere molto più elevati. Se i ritorni di tensione che si verificano possono originare più corrente del limite di corrente stabilito, e l'uscita è attiva, questa entrerà nel limite di corrente (l'indicatore corrente costante lampeggerà) e il suo display indicherà il ritorno di tensione sul diodo di protezione; se l'uscita è disattivata, lampeggerà solo l'indicatore corrente costante.

Come in tutti gli alimentatori a singola estremità regolati in serie, l'unità non è in grado di incamerare corrente da una fonte esterna. Se viene applicata da una fonte esterna una tensione maggiore di quella d'uscita impostata per l'unità, il regolatore interno si spegnerà e il flusso di corrente si interromperà; se l'uscita viene attivata sul misuratore di tensione si leggerà quella applicata. Non risulterà alcun danno fornendo una tensione che non superi quella massima consentita dall'uscita dell'alimentatore per più di 20 V.

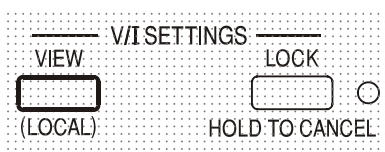
Con l'OUTPUT disattivata, il carico rimane connesso allo stadio d'uscita dell'alimentatore; la tensione d'uscita è semplicemente impostata su zero. Ai terminali dell'alimentatore non applicare tensioni esterne che superino di 20V la tensione d'uscita stabilita, anche con l'uscita disattivata, per evitare danni.

Protezione da sovratemperatura

Un sensore interno individuerà la sovratemperatura causata da un blocco del flusso dell'aria, da un guasto della ventola o altri problemi del circuito. La sovratemperatura farà disattivare l'uscita, l'indicatore OUTPUT comincerà a lampeggiare e il display mostrerà il messaggio **OTp triP**. Una volta rimossa la causa e raffreddato il dispositivo, l'indicatore d'uscita si spegnerà, ma il messaggio **OTp triP** resterà visualizzato. Premendo il tasto OUTPUT una volta, il display passerà a mostrare la tensione e la corrente preimpostate (l'indicatore delle SETTINGS (impostazioni) – si illuminerà) ma l'uscita rimarrà inattiva; premendolo una seconda volta l'uscita di riattiverà normalmente.

Se il tasto OUTPUT viene premuto mentre lo strumento è ancora in sovratemperatura (l'indicatore OUTPUT – lampeggia) il messaggio **OTp triP** viene sostituito dalla tensione e dalla corrente preimpostate (l'indicatore delle SETTINGS – si illuminerà), ma l'uscita rimarrà inattiva; ogni ulteriore pressione del tasto causerà la breve apparizione del messaggio **OTp triP** ma l'uscita rimarrà inattiva fino a che non terminerà la situazione di sovratemperatura..

Impostazioni di Visualizzazione



I limiti predefiniti della tensione e della corrente vengono sempre mostrati quando l'uscita è inattiva, ma possono anche essere visualizzati quando è attiva, premendo il tasto VIEW; in tal modo si illumina l'indicatore delle SETTINGS.

Impostazioni di Blocco

La pressione del tasto LOCK causerà il blocco digitale del limite predefinito della tensione e della corrente. Le impostazioni vengono memorizzate al numero più vicino. Le successive regolazioni dei controlli della VOLTAGE e della CURRENT non avranno effetto.

Poiché l'annullamento del LOCK causerà la modifica delle impostazioni d'uscita se le posizioni del controllo della VOLTAGE e della CURRENT sono state spostate, prima che il LOCK venga annullato verranno visualizzati segnali di avvertimento.

Premere e tenere premuto il tasto per annullare il LOCK.

Se l'OUTPUT è off (cioè in sicurezza) il display lampeggerà per due volte le impostazioni 'sbloccate' prima che la modifica venga attuata; quindi la luce LOCK si spegnerà.



Se l'uscita è ancora attiva, **OP on** (uscita on) lampeggerà per due volte sul display, seguita da un lampeggio delle impostazioni 'sbloccate' per 2-3 secondi (all'inizio più lentamente, poi più veloci) prima che la modifica venga implementata; l'indicatore del LOCK si spegnerà una volta eseguita la modifica.

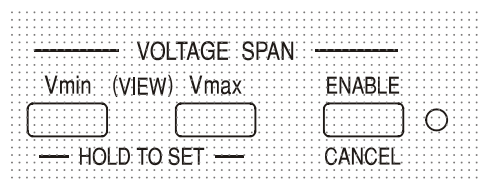
Lasciando il tasto LOCK in qualunque momento durante il lampeggio del display, provocherà l'annullamento dell'azione.

Non è possibile cambiare il limite di corrente (vedi capitolo Impostazione dell'uscita), o i limiti dell'ampiezza di tensione (vedi capitolo Ampiezza di tensione) con il LOCK attivato; in tal caso verrà visualizzato brevemente il messaggio **Unloc** e l'indicatore del LOCK lampeggerà. Inoltre, se l'uscita è attiva quando vengono tentate queste azioni, dapprima verrà visualizzato nel display il messaggio **turn OFF** (con l'indicatore d'uscita lampeggiante), che sarà seguito dal messaggio **Unloc** (con l'indicatore del LOCK – lampeggiante).

All'accensione, lo stato della modalità LOCK è identico a quello presente all'ultimo spegnimento.

Utilizzo dell'ampiezza di tensione

La capacità di VOLTAGE SPAN (ampiezza di tensione) (**V-Span**) permette all'utente di ridefinire i valori estremi dei controlli della VOLTAGE in modo che funzionino all'interno di una portata di tensione specifica e più ristretta. Ciò, non solo offre il vantaggio di proteggere contro le applicazioni accidentali al carico di tensione al di fuori della portata, ma fornisce anche controllo analogico ad alta risoluzione sulla portata di tensione specifica utilizzando la rotazione completa a 300° dei controlli di tensione.



V-Span viene acceso o spento con il tasto ENABLE (attiva). L'indicatore ENABLE è acceso quando è selezionato V-Span. L'impostazione della fabbrica è $V_{min} = 3V$, $V_{max} = 5V$

Poiché attivare il V-Span cambia sempre la tensione d'uscita, esso può essere attivato o annullato solo con la tensione inattiva. Se si tenta di attivarlo o annullarlo con la tensione in funzione, il display mostrerà brevemente il messaggio **turn OFF** per avvisare l'utente di disattivarla. Per impostare nuovi valori per V_{min} o V_{max} le funzioni V-Span devono essere disattivate (annullate).

Il limite minimo di tensione viene definito utilizzando i controlli MAIN e FINE VOLTAGE (tensione principale e fine), per impostare esattamente i valori desiderati; il tasto V_{min} viene quindi tenuto premuto fino a che il display di sinistra (V) smette di lampeggiare e quello di destra (mA) mostra **Set**. Le impostazioni possono essere visualizzate sempre, con una breve pressione (<1 secondo) del tasto V_{min} . Il limite massimo della tensione viene impostato e VIEWed (visualizzato) esattamente allo stesso modo, utilizzando i controlli di VOLTAGE e il tasto V_{max} .

I limiti possono essere impostati nell'ordine desiderato e con tutti i valori necessari all'interno della portata d'uscita dello strumento, ma il V-Span può solo essere acceso con il tasto ENABLE se $V_{max} \geq (V_{min} + 0.1V)$; se non si verifica questa condizione, si visualizzerà brevemente il messaggio **Set Err** e la funzione V-Span non verrà implementata.

Quando V-Span è attivo, la portata del controllo MAIN VOLTAGE (tensione principale) è esattamente da V_{min} a V_{max} quando il controllo FINE è impostato sulla metà, segnalato sul pannello con un •. Il controllo FINE di per sé, può essere utile per impostare una regolazione più precisa di $\pm 1\%$ (dell'ampiezza di tensione). Si fa comunque presente che se V_{max} è impostato su un valore vicino a 250V, non è possibile regolare la tensione a valori superiori a 250 V con il comando FINE.

All'accensione, lo stato della modalità V-Span è identico a quello presente all'ultimo spegnimento

Controllo analogico remoto (Solo modelli programmabili singoli)

Il controllo analogico remoto della tensione e della corrente di uscita è possibile utilizzando le tensioni di controllo variabili esterne applicate rispettivamente tra gli ingressi CV o CC e Return (RTN) del pannello posteriore. Questi ingressi sono isolati dall'uscita; la tensione di isolamento massima rispetto all'uscita è di 300V. Gli ingressi sono protetti da tensioni di ingresso eccessive fino a 60 V.

Per controllare un'unità "slave" (dipendente) tramite i rispettivi ingressi CV e CC slave, è possibile usare le tensioni di controllo di uscita analogica V_{out} e I_{out} di un'unità operante come "master" (principale).

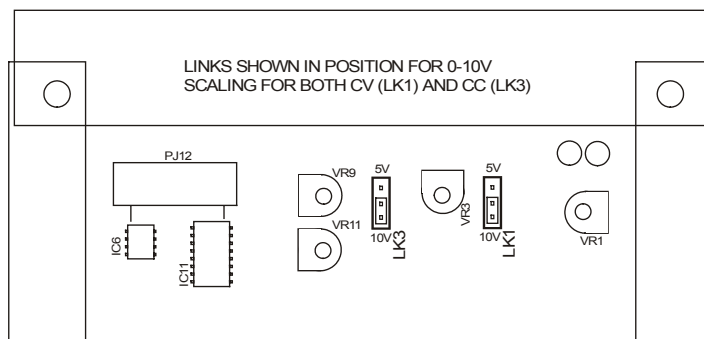
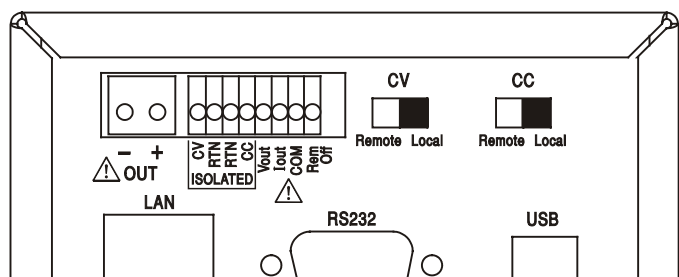
Controllo analogico della tensione

Quando l'interruttore CV del pannello posteriore è su Remote e agli ingressi CV e RTN si applica una tensione di programmazione, si ha la possibilità di attivare il controllo di tensione analogico remoto.

Quando l'interruttore CV è impostato su Remote, i controlli VOLTAGE (TENSIONE) del pannello frontale vengono disabilitati. Per riattivare il controllo sul pannello frontale, riportare l'interruttore su Local.

La scala di ingresso predefinita è di 0-5 Volt per una tensione di uscita nominale 0-100%. La scala di tensione di ingresso può essere modificata da 0 V a 10 V modificando un ponticello di collegamento interno. Scollegare lo strumento dall'alimentazione CA e rimuovere la copertura come descritto nella sezione "Installazione". Osservando la vista dall'alto dello strumento in figura, spostare il ponticello di collegamento alto in posizione LK1 per collegare il centro e i pin da 10 V anziché il centro e i pin da 5 V.

Il controllo CV remoto può essere usato con CC impostato indifferentemente su Local o su Remote.



Controllo analogico della corrente

Quando si imposta l'interruttore CC del pannello posteriore su Remote, e agli ingressi CC e RTN si applica una tensione di programmazione, si ha la possibilità di impostare il controllo analogico remoto della corrente costante. Il controllo analogico remoto della corrente costante può essere usato solo per la gamma di corrente alta e non per la gamma 500 mA. Quando l'interruttore CC è impostato su Remote, i controlli CURRENT (CORRENTE) del pannello frontale vengono disabilitati. Per riattivare il controllo sul pannello frontale, riportare l'interruttore su Local.

La scala della tensione di ingresso predefinita è 0-5 Volt per la corrente nominale massima (solo gamma alta). La scala di tensione di ingresso può essere modificata da 0 V a 10 V cambiando un ponticello di collegamento interno. Scollegare lo strumento dall'alimentazione CA e rimuovere la copertura come descritto nella sezione "Installazione". Osservando lo strumento mostrata nel disegno, spostare il ponticello di collegamento alto in posizione LK1 per collegare il centro e i pin da 10 V anziché il centro e i pin da 5 V.

Il controllo CC remoto può essere usato con CV impostato indifferentemente su Local o su Remote.



ATTENZIONE. Agli ingressi CV o CC non applicare tensioni di controllo esterne superiori ai valori massimi della gamma impostata (5 V o 10 V). Gli ingressi sono protetti contro le sovratensioni ma, quando la tensione di controllo è superiore al limite della gamma, con possibili danni conseguenti, lo strumento cercherà comunque di erogare una tensione o una corrente di uscita superiore rispetto alla gamma massima. Se la condizione persiste, le protezioni OVP e/o OCP potrebbero disattivare l'uscita; vedere la sezione seguente.

Protezioni OVP e OCP

Il firmware contiene le protezioni OVP (protezione contro le sovratensioni) e OCP (protezione contro le sovracorrenti) che possono essere impostate e utilizzate solo in condizioni di controllo remoto tramite le interfacce RS232, USB, LAN (LXI) o GPIB. Le possibilità di impostazione sono 10 mV e 1 mA con tempi di risposta nominali di 500 ms.

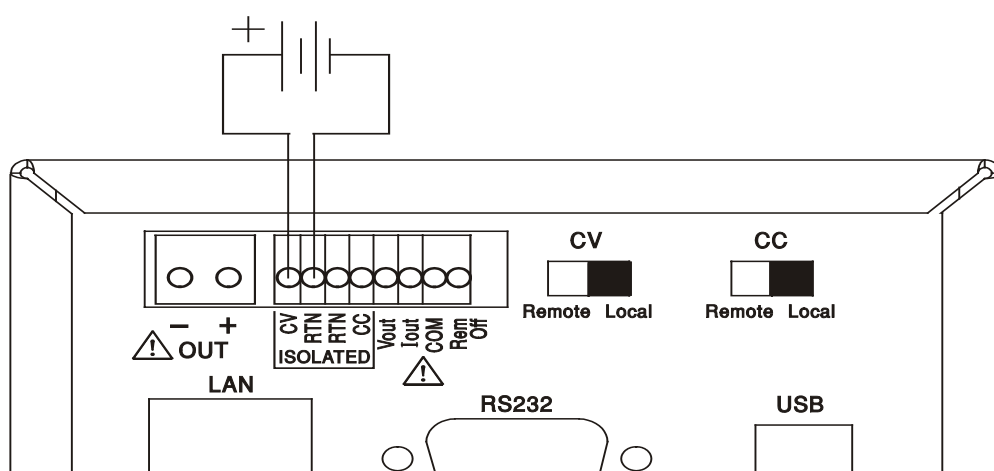
Tuttavia, le protezioni OVP e OCP continueranno a essere attive anche in modalità locale, ma saranno impostate per default al 105% del valore massimo della gamma dello strumento. Questa condizione fornisce un'utile protezione di chiusura nel caso in cui vi sia un'applicazione prolungata della tensione di controllo CV o CC che cerca di portare l'uscita a un valore superiore al 105% del valore massimo della gamma.

Considerazioni pratiche sull'uso di CV e di CC

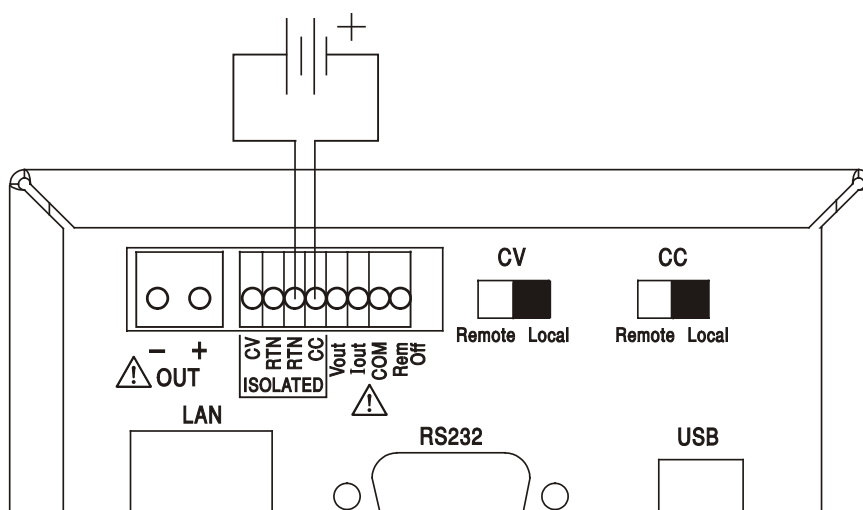
La stabilità delle tensioni di controllo influisce direttamente sulla stabilità dell'uscita. Un qualsiasi disturbo ai segnali di controllo genererà un conseguente disturbo sull'uscita. Per ridurre al minimo il disturbo all'uscita, collegare le tensioni di controllo agli ingressi CV, CC e RTN utilizzando coppie binate o schermate (schermatura a terra solo a un'estremità) e limitare il più possibile la lunghezza dei collegamenti. Si fa presente che il disturbo di uscita è leggermente più alto quando viene usato il controllo remoto analogico a causa del disturbo intrinseco nel circuito di ingresso isolante, vedere la sezione Dati tecnici.

Le figure seguenti mostrano i collegamenti per il controllo di tensione costante (CV) e di corrente costante (CC) in presenza di una tensione esterna.

Controllo della tensione costante



Controllo della corrente costante



Tenere presente che quando OUTPUT è attivo, il visore dello strumento riporterà sempre la tensione e la corrente di uscita effettive, indipendentemente da quale origine di controllo sia stata attivata. Al contrario, quando OUTPUT non è attivo, il visore riporterà la tensione e la corrente preimpostate tramite i controlli del pannello frontale (o dall'interfaccia digitale, quando attiva) e non i valori determinati dagli ingressi CV e CC, anche nel caso in cui questi siano stati attivati (CV e CC impostati su Remote). Per evitare possibili confusioni, quando si usano CV e CC in remoto, sarebbe bene impostare i controlli del pannello frontale a un valore minimo.

Tensioni di controllo dell'uscita analogica

Le tensioni di controllo dell'uscita analogica V_{out} e I_{out} sono generate dalle tensioni di controllo interne effettive la cui origine attiva può essere definita tramite i controlli del pannello frontale, tramite l'interfaccia digitale (RS232, USB, LAN o GPIB) oppure tramite gli ingressi analogici CV e CC. V_{out} e I_{out} vengono bilanciate in modo che lo 0-100% della tensione e delle correnti (solo per la gamma alta) di uscita nominale generi 0-5 V ai terminali V_{out} e I_{out} del pannello posteriore in rapporto a COM. COM è collegato all'uscita positiva.

I_{out} corrisponderà sempre alla corrente impostata, indipendentemente dall'attivazione o meno dell'uscita anche se, quando l'uscita è disattivata, V_{out} scenderà a 0 V.



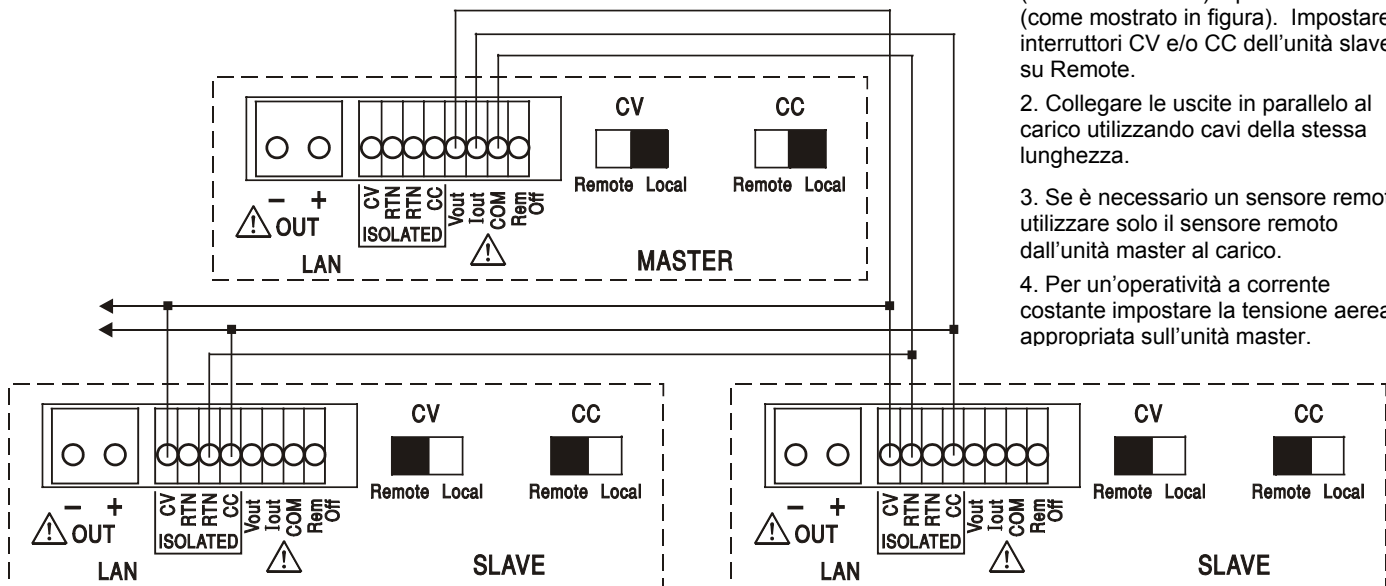
Attenzione! COM si riferisce al circuito di controllo di uscita ed è ~1 V rispetto al potenziale di uscita positivo. V_{OUT} e I_{OUT} sono sempre presenti sui morsetti.

Operatività in parallelo nella configurazione Master-Slave

L'operatività in parallelo nella configurazione master-slave consente di ottenere correnti di uscita più elevate grazie a una suddivisione uniforme della corrente fra l'unità e il controllo sia per la tensione sia per la corrente provenienti da una singola unità. Tutte le unità dovrebbero essere dello stesso tipo, ovvero con la stessa tensione e corrente di uscita nominali. La figura mostra le 3 unità collegate in parallelo. Per ottenere una suddivisione uniforme di corrente ogni unità, per poter assicurare cadute di tensione anch'esse uniformi, deve essere collegata al carico in modo indipendente tramite una coppia di fili di diametro e lunghezza uguali. Collegare V_{out} e I_{out} dell'unità master agli ingressi CV e CC delle unità slave (impostazione di CV e di CC su Remote) come qui indicato. Collegare V_{out} , I_{out} e COM del master agli ingressi CV, CC e RTN degli slave (impostare gli interruttori CV e CC su Remote) come da figura.

La tensione e la corrente dell'unità master possono essere impostate tramite i controlli del pannello frontale, l'interfaccia digitale oppure con l'applicazione di una tensione esterna agli ingressi di controllo analogici CV e CC.

Operatività in parallelo nella configurazione master-slave



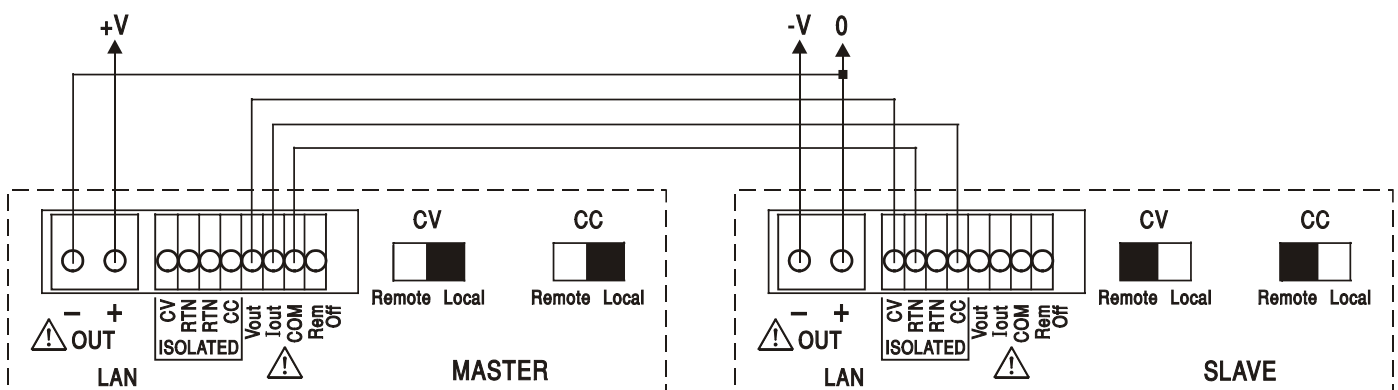
Note:

1. Le unità possono essere cablate per CV (tensione costante), per CC (corrente costante) o per entrambe (come mostrato in figura). Impostare gli interruttori CV e/o CC dell'unità slave su Remote.
2. Collegare le uscite in parallelo al carico utilizzando cavi della stessa lunghezza.
3. Se è necessario un sensore remoto, utilizzare solo il sensore remoto dall'unità master al carico.
4. Per un'operatività a corrente costante impostare la tensione aerea appropriata sull'unità master.

In modalità a tensione costante, la tensione del carico corrisponde a quella impostata sull'unità master servendosi dei controlli del pannello frontale, dell'interfaccia digitale o dell'ingresso di controllo remoto di CV. Il limite di corrente per il sistema (ovvero la corrente in modalità di corrente costante) corrisponde al limite di corrente impostato sull'unità master x n, dove "n" è il numero totale di unità collegate in parallelo.

Funzionamento isolato o in serie nella configurazione Master-Slave

Il funzionamento isolato o in serie della configurazione Master-Slave consente di monitorare le tensioni di uscita e di impostare i limiti per più unità in un singolo strumento. Tutte le unità devono essere dello stesso tipo, ovvero la stessa tensione e corrente di uscita nominali. Il grafico mostra 2 unità collegate in serie per monitorare \pm Volt e i limiti attuali. Collegare V_{out} , I_{out} e COM del master agli ingressi CV, CC e RTN degli slave (impostare gli interruttori CV e CC su Remote) come da figura.



Se sono necessari i limiti di corrente separati, impostare CC su Local e impostare i limiti dal pannello frontale di ciascuna unità.



Avvertenza! Nel funzionamento in serie fare attenzione a non superare la tensione nominale di funzionamento massima (300 V) di qualsiasi morsetto rispetto alla messa a terra (\perp).

Disattivazione in remoto

La chiusura dell'interruttore o una logica di basso fra gli ingressi Rem Off e COM del pannello posteriore disattiveranno in remoto l'uscita precedentemente attivata; sul pannello anteriore, inoltre, si spegnerà la spia luminosa OUTPUT. L'uscita potrà essere riattivata con la riapertura dell'interruttore fra Rem Off e COM.



Attenzione! COM fa riferimento al circuito di controllo di uscita ed è ~1V rispetto al potenziale di uscita positivo.

Operatività con l'interfaccia remota

Lo strumento può essere controllato in remoto utilizzando le interfacce RS232, USB, LAN o GPIB (opzionale). Il controllo analogico remoto è stato descritto nella sezione precedente.

L'azionamento remoto dell'apparecchio tramite la porta USB funziona come per una porta RS232 utilizzando però il connettore USB. Il software fornito con lo strumento imposta il computer di controllo affinché la connessione USB abbia virtualmente le stesse caratteristiche di una porta COM. È possibile utilizzare il software dell'applicativo sul computer come se fosse collegato tramite quella porta COM.

L'interfaccia LAN è stata progettata per soddisfare i requisiti LXI (Lan eXtensions for Instrumentation) versione 1.2; lo strumento è conforme alla Classe C. Il protocollo TCP/IP Sockets consente di attivare il controllo remoto tramite l'interfaccia LAN. Lo strumento contiene anche un server Web basilare che fornisce le informazioni sull'unità, consentendone anche la configurazione da un navigatore Web. Dal navigatore è anche possibile utilizzare un controllo a semplice linea di comando.

Lo strumento, nella sua versione standard, viene fornito con le interfacce RS232, USB e LAN; l'interfaccia GPIB è opzionale. Tutte le interfacce sono sempre attive (uno dei requisiti LXI) ma, tramite le opzioni di configurazione delle varie pagine Web, si ha la possibilità di limitare l'accesso alle singole interfacce.

Blocco di un'interfaccia

Tutte le interfacce sono sempre attive; questa condizione evita di dover selezionare quella attiva e, inoltre, è uno dei requisiti LXI. Per ridurre il rischio che lo strumento venga inavvertitamente posto sotto il controllo contemporaneo di due interfacce, vi è una serie di istruzioni che consente di attivare un semplice meccanismo di blocco e di rilascio. Il blocco viene rilasciato automaticamente tutte le volte viene rilevata una condizione di scollegamento oppure quando si preme il pulsante Local. L'accesso all'interfaccia può essere limitato agendo anche a livello delle pagine Web.

L'invio di un comando "IFLOCK" consente di porre lo strumento sotto l'esclusivo controllo di una qualsiasi delle interfacce disponibili. Il blocco potrà essere rilasciato solo tramite l'invio di un comando "IFUNLOCK" dall'interfaccia che ha attivato il blocco; l'invio di un comando "IFLOCK?" consente, invece, di interrogare lo stato di una qualsiasi interfaccia. La risposta di uno di qualsiasi di questi comandi sarà "-1" nel caso il cui il blocco sia gestito da un'altra interfaccia, "0" se l'interfaccia è libera e "1" se il blocco è gestito dall'interfaccia dalla quale si avvia la richiesta. L'invio di un qualsiasi comando da un'interfaccia che non è associata a diritti di controllo e che tenta di modificare lo stato dello strumento determinerà l'impostazione del bit 4 dello Standard Event Status Register (Registro di stato degli eventi standard) e inserirà il valore "200" nell'Execution Error Register (Registro degli errori di esecuzione) per indicare l'assenza di diritti sufficienti per avviare l'operazione richiesta.

Nota: dall'interfaccia Web si ha anche la possibilità di impostare i diritti di un'interfaccia particolare su "read only" (solo lettura) oppure su "no access" (nessun accesso).

Selezione dell'indirizzo

La proprietà dell'indirizzo dello strumento è un requisito strettamente necessario solo per l'interfaccia GPIB. Tuttavia, da una qualsiasi interfaccia, si potrà sempre inviare un comando ADDRESS? (INDIRIZZO?) per identificare con facilità quale strumento è sotto il controllo di una porta COM (per le interfacce RS232 o USB) o di un socket TCP (per l'interfaccia LAN) particolari. Si tenga però presente che l'interfaccia LAN è dotata anche di una funzione "Identify" (Identificazione), accessibile dalle pagine Web dello strumento, il cui scopo è quello di fare lampeggiare il visore dello strumento fino a quando la funzione non verrà cancellata.

Iniziare con lo strumento spento e, tenendo premuti i tasti Lock, Meter Average e Current Range accendere lo strumento. Lo schermo mostra **Addr** nella schermata Volt e **nn** nella schermata mA, dove **nn** è l'impostazione corrente (predefinita: **Addr 11**). L'indirizzo può essere diminuito o accresciuto con i tasti Meter Average e Current Range rispettivamente dell'intervallo da 1 a 31 inclusi (non 0), con 'wrap-round'. L'indirizzo viene confermato. Uscire dalla procedura tenendo premuto il tasto Lock; lo schermo mostra **SEt** e il nuovo indirizzo per circa 2 secondi, tornando alla normale schermata Volt e mA quando il nuovo indirizzo è stato accettato.

L'indirizzo può essere impostato anche tramite le pagine Web dello strumento.

Operatività remota/locale

Al momento dell'accensione lo strumento entrerà nello stato locale, con l'indicatore REMOTE spento. In questo stato è possibile avviare tutte le operazioni attivabili dal pannello frontale. Quando lo strumento è in condizione di "ascolto" e riceve un comando entra nello stato remoto, indicato dall'accensione dell'indicatore REMOTE. In questo stato il pannello frontale risulta bloccato e potranno essere elaborati solo i comandi remoti. Le impostazioni V/I, Meter Average, Current Range e lo stato(i) non subiranno alcuna modifica ma, se attivi, gli indicatori LOCK e V-Span verranno disattivati. I valori Vmin e Vmax verranno conservati. Con la pressione del tasto LOCAL lo strumento potrà essere riportato allo stato locale; tuttavia, l'effetto di questa azione rimarrà tale solo fino a quando lo strumento non verrà di nuovo indirizzato o fino a quando non riceverà dall'interfaccia un altro carattere per la riattivazione dello stato remoto. Il ritorno allo stato locale attivato da questa azione, o con il comando LOCAL, manterrà le impostazioni V/I agli ultimi valori impostati in remoto, con l'attivazione di Lock Settings (Impostazioni blocco) e mantenendo inalterato lo stato dell'uscita.

Interfaccia RS232

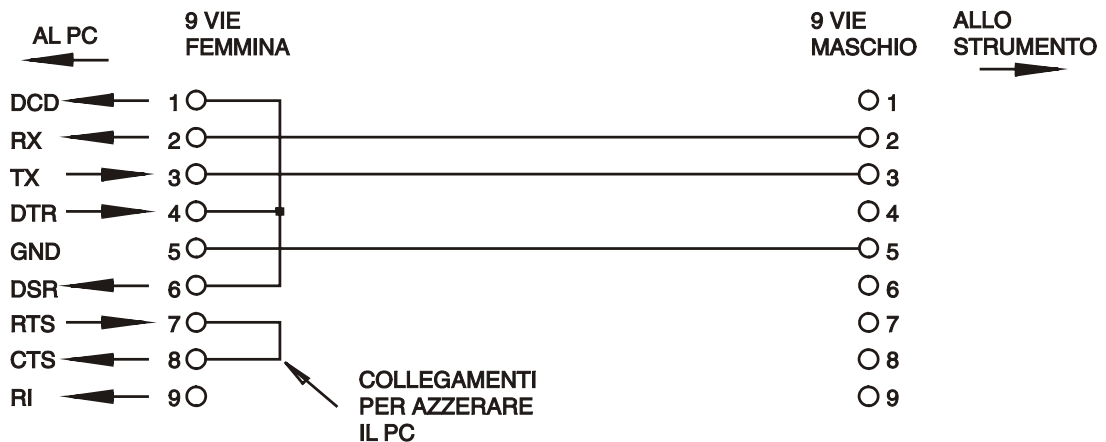
Connettore per interfaccia RS232

Il connettore a 9 vie tipo D per interfaccia seriale si trova sul pannello posteriore dello strumento. I collegamenti ai pin sono riportati di seguito:

Pin	Nome	Descrizione
1	RI	Dichiarato passivamente (+V - 10 k Ω)
2	TXD	Dati trasmessi dallo strumento
3	RXD	Dati ricevuti dallo strumento
4	CTS	
5	GND	Messa a terra segnale
6	RTS	Dichiarato passivamente (+V - 10 k Ω)
7	DSR	Nessuna connessione interna
8	DTR	
9	CD	Nessuna connessione interna

Collegamenti RS232

Collegare l'interfaccia RS232 a un porta PC standard mediante un cavo 1:1 maschio-femmina interamente cablato senza connessioni incrociate. In alternativa, solo i pin 2, 3 e 5 devono essere collegati al PC. Tuttavia, è necessario effettuare collegamenti del connettore sul PC fra i pin 1, 4 e 6 e fra quelli 7 e 8, vedi diagramma.



La velocità di trasmissione (Baud rate) per questo strumento è impostata a 9600 Baud; gli altri parametri vengono definiti come qui sotto riportato:

Bit di avvio: 1 Parità: Nessuna
Bit di dati: 8 Bit di stop: 1

Set di caratteri RS232

Essendo necessario l'handshaking XON/OFF, è possibile trasmettere solo dati in codice ASCII; non sono consentiti dati binari. Il bit 7 del codice ASCII viene ignorato, ovvero si presume che sia stato impostato su basso. Poiché la mnemonica dei comandi non fa distinzione fra lettere maiuscole e lettere minuscole, è possibile utilizzarle entrambe. I codici ASCII al di sotto di 20H (spazio) non sono utilizzati. In questo manuale 20H corrisponde a 20 nel sistema esadecimale. L'unità invierà XOFF quando vi saranno ancora 50 byte liberi e XON quando questo valore raggiungerà 100 byte.

Interfaccia USB

L'interfaccia USB è una porta COM virtuale che può essere controllata da un PC come se si trattasse di un dispositivo RS232. Lo strumento viene fornito con un CD che contiene un file .inf per i driver Microsoft standard disponibili in Windows 2000, XP, Vista e Windows 7; l'installazione guidata installa il driver (a 32 bit o a 64 bit) idoneo per il sistema operativo del PC.

L'installazione del driver d'interfaccia si ottiene connettendo lo strumento a un PC attraverso un cavo USB standard. Le funzioni plug and play di Windows dovrebbero automaticamente riconoscere il collegamento di un nuovo hardware all'interfaccia USB e, se è la prima volta che viene collegato, segnalare la posizione di un driver adatto. A condizione che i comandi standard di Windows siano seguiti correttamente, Windows installerà il driver appropriato e predisporrà una porta COM virtuale all'interno del PC. Il numero delle nuove porte COM dipenderà dal numero delle porte COM coesistenti all'interno del PC. La porta COM virtuale può essere gestita dagli applicativi Windows esattamente come una porta standard, tranne che l'impostazione della velocità di trasmissione di quella virtuale viene ignorata.

Il driver rimane installato sul PC in modo che, dopo l'installazione, la porta COM virtuale venga creata automaticamente ogni volta che lo strumento è collegato al PC attraverso la porta USB.

Ulteriori porte COM virtuali vengono create per ogni strumento aggiuntivo connesso al PC attraverso la USB. A ogni strumento viene assegnata una porta COM virtuale separata quando viene connesso per la prima volta e la stessa porta gli verrà assegnata ogni volta che verrà connesso; il software del PC fa uso del codice univoco inserito in ogni strumento per collegarlo alla stessa porta, senza tener conto a quale porta USB sia fisicamente connesso.

Tuttavia, da una qualsiasi interfaccia si avrà sempre la possibilità potrà di inviare un comando ADDRESS? per identificare con facilità quale strumento è sotto il controllo di una porta COM. Sebbene nell'operatività USB venga ignorata la proprietà di indirizzamento, si potrà comunque impostare e utilizzare l'indirizzo per usarlo come identificatore; assegnare a ogni strumento USB un indirizzo diverso e inviare il comando ADDRESS? da ogni porta COM virtuale per verificare quale strumento è collegato a tale porta.

LAN Interface

L'interfaccia LAN è stata progettata per soddisfare i requisiti LXI (Lan eXtensions for Instrumentation) versione 1.2 e contiene le interfacce e i protocolli qui sotto descritti. Dato che vi è il rischio di interferire con la configurazione dell'interfaccia LAN, rendendo così impossibile la comunicazione LAN con lo strumento, il pannello posteriore contiene un interruttore separato (contrassegnato LAN RESET [Reimpostazione LAN]) per l'attivazione della procedura LAN Configuration Initialize (LCI, Inizializza configurazione LAN) per il ripristino delle impostazioni di fabbrica predefinite. Le impostazioni predefinite consentono allo strumento di recuperare le impostazioni tramite DHCP, se disponibile, oppure, quando DHCP viene disattivato (dopo 30 secondi), tramite la selezione automatica dell'indirizzo IP. Nell'improbabile eventualità in cui un indirizzo IP automatico non riesca a rilevare un indirizzo IP statico, viene assegnato l'indirizzo 192.168.0.100 . La reimpostazione LAN elimina qualsiasi protezione password impostata.

Per altre informazioni sugli standard LXI accedere a www.lxistandard.org/home

Connessioni LAN

Per utilizzare l'interfaccia LAN è necessario conoscere l'indirizzo IP dell'unità. Il CD fornito contiene lo strumento LXI Discovery (Rilevamento LXI) che può essere utilizzato per la visualizzazione degli indirizzi IP (in aggiunta ad altre informazioni associate) di tutti i dispositivi collegati e conformi al protocollo di rilevamento VXI-11. Questo strumento è un'applicazione Windows per PC che dovrebbe essere installata ed eseguita sul PC di controllo dell'unità collegata direttamente al connettore di rete del PC oppure a un router. La connessione tramite router è la soluzione consigliata dato che è sostanzialmente più veloce nell'assegnazione degli indirizzi IP; una connessione diretta al PC inizierà ad assegnare un indirizzo IP solo dopo un time-out di 30 secondi di DHCP. Quando si fa doppio clic su una voce dell'elenco dei dispositivi rilevati si aprirà il navigatore Web del PC che visualizzerà la pagina iniziale del dispositivo corrispondente.

Il CD contiene anche alcuni strumenti di rilevamento LAN che fanno parte del pacchetto National Instruments Measurement and Automation Explorer e l'applicazione Agilent Vee.

Quando viene accesa, l'unità cercherà di recuperare, se disponibili, le impostazioni via DHCP oppure, nel caso in cui DHCP vada in time-out (dopo 30 secondi), tramite l'assegnazione automatica degli indirizzi IP. Nell'improbabile eventualità in cui un indirizzo IP automatico non riesca a rilevare un indirizzo IP statico, viene assegnato l'indirizzo 192.168.0.100. Se non è stata ancora attivata una connessione, il visore dello strumento lampeggerà e riporterà l'indicazione **LAN Err**; per ulteriori informazioni vedere la sezione "Errori LAN".

Server Web; protezione della configurazione con password

L'unità è dotata di un proprio server Web basilare. Questo server fornisce le informazioni sullo strumento e ne consente la configurazione.

La pagina Configure (Configurazione) può essere protetta con password per impedire le modifiche non autorizzate alla configurazione dell'operatività remota; la configurazione predefinita è "No password" (Nessuna password).

Le istruzioni per impostare una password sono contenute all'interno della pagina Configure. La password potrà avere una lunghezza massima di 15 caratteri; si tenga presente che il campo del **nome utente deve essere lasciato vuoto**. L'impostazione della password potrà essere riportata al suo stato predefinito (nessuna password) utilizzando l'interruttore LAN RESET del pannello posteriore per riportare tutti i parametri LAN ai rispettivi valori di fabbrica predefiniti.

Le pagine Web prevedono anche la presenza di una funzione "Identify" (Identificazione) che consente all'utente di inviare allo strumento un comando di identificazione; la risposta è il lampeggiamento del visore dello strumento fino a quando il comando non verrà cancellato.

Server ping ICMP

L'unità contiene un server ICMP che consente di inviare un comando "ping" allo strumento indicando il nome o l'indirizzo IP del suo host.

Protocollo di rilevazione VXI-11

Lo strumento prevede una gestione particolarmente limitata di VXI-11, sufficiente per il protocollo di rilevazione ma senza la possibilità di eseguire altre operazioni.

Lo strumento adotta un mappatore di porte Sun RPC sulla porta TCP 111 e sulla porta UDP 111, così come definito da RPC1183. Le chiamate gestite sono: NULL, GET PORT e DUMP.

Sulla porta TCP 1024 viene utilizzato un protocollo VXI-11 molto semplificato, sufficiente unicamente per la rilevazione dello strumento. Le chiamate gestite sono le seguenti: CREATE LINK, DEVICE_WRITE, DEVICE_READ e DESTROY_LINK.

Dopo la creazione di un collegamento, qualsiasi cosa venga scritta sul dispositivo verrà ignorata e qualsiasi lettura proveniente dal dispositivo restituirà la stringa identificativa che ci si aspetterebbe di ottenere da un comando "*IDN?", nella forma

"Produttore,Modello,N. di serie,X.xx – Y.yy"

Per esempio

SORENSEN, XEL 120-0.75P,279730,1.00 – 1.00

dove "X.xx" corrisponde alla revisione del firmware principale e "Y.yy" è la revisione del firmware di interfaccia. Il firmware dell'interfaccia è un campo che l'utente potrà aggiornare tramite la porta USB.

VISA Resource Name

A causa del supporto limitato di VXI-11(solo Discovery Protocol), si fa riferimento allo strumento solo attraverso le informazioni non elaborate sul socket quando viene utilizzato con pacchetti software che comunicano attraverso un VISA resource name. Ad esempio, uno strumento con indirizzo IP 192.168.1.100 ha normalmente un VISA resource name "TCPIP0::192.168.1.100::inst0::INSTR", ma per questo strumento il nome deve essere modificato con "TCPIP0::192.168.1.100::9221::SOCKET", dove 9221 è la porta TCP utilizzata dallo strumento per il controllo e il monitoraggio. Vedere sotto.

URL del documento di identificazione XML

Come richiesto dallo standard LXI, lo strumento contiene un documento di identificazione XML che potrà essere interrogato inviando un comando GET a "http://<hostname>:80/lxi/identification" e che è conforme allo schema LXI XSD (disponibile a <http://www.lxistandard.org/InstrumentIdentification/1.0>) e agli standard dello schema W3C XML (<http://www.w3.org/XML/Schema>). Il documento è una descrizione dello strumento.

Socket TCP

Lo strumento utilizza 2 socket sulla porta TCP 9221 che controllano e monitorizzano lo strumento stesso. I comandi testuali vengono indirizzati a questa porta come indicato nel capitolo "Comandi remoti"; la stessa porta viene utilizzata anche per le risposte. Ogni stringa deve essere composta da uno o più comandi completi. I comandi possono essere separati da punti e virgola ";", oppure da avanzamenti di riga (line feed). Dato che la struttura TCP contiene comandi completi, non viene richiesto alcun elemento di terminazione; tuttavia, se lo si desidera, i comandi possono essere inviati anche con la presenza di un elemento di terminazione (che verrà comunque ignorato). Ogni comando che transita attraverso TCP si comporta come se fosse concluso da un elemento di terminazione (carattere ASCII 0AH, avanzamento di riga [line feed]).

Errore LAN

Se è attiva una connessione LAN, ma è stato rilevato un errore (per es. indirizzo IP uguale a quello di un altro dispositivo di rete), il visore dello strumento inizierà a lampeggiare riportando, alternativamente, i valori normali della tensione e della corrente associati all'indicazione **LAN Err**, fino a quando l'errore non sarà stato corretto. Quando si verifica un errore LAN, controllare e correggere la configurazione dello strumento; sul pannello posteriore vi è un interruttore separato (contrassegnato LAN RESET [Reimpostazione LAN]) per l'attivazione della procedura LAN Configuration Initialize (LCI, Inizializza configurazione LAN) per il ripristino delle impostazioni di fabbrica predefinite. Le impostazioni predefinite consentono allo strumento di recuperare le impostazioni tramite DHCP, se disponibile, oppure, quando DHCP viene disattivato (dopo 30 secondi), tramite la selezione automatica dell'indirizzo IP. Nell'improbabile eventualità in cui un indirizzo IP automatico non riesca a rilevare un indirizzo IP statico, viene assegnato l'indirizzo 192.168.0.100.

Inoltre, il visore lampeggerà per 10 secondi riportando alternativamente i valori normali e il messaggio **LAN Err** tutte le volte che, all'accensione, non verrà rilevata alcuna connessione LAN fisica. Per disattivare questo messaggio a ogni accensione inviare il comando "NOLANOK 1" a ogni interfaccia. Per riattivare il messaggio a ogni accensione, inviare il comando "NOLANOK 0", oppure utilizzare il pulsante LAN RESET del pannello posteriore per riportare tutti i parametri LAN ai rispettivi valori di fabbrica predefiniti. Vedere l'introduzione alla sezione "LAN".

Interfaccia GBIP

Il connettore a 24 vie per l'interfaccia GPIB si trova sul pannello posteriore dello strumento. I collegamenti dei pin sono indicati nello standard IEEE 488.2-1987 e lo strumento è conforme agli standard IEEE 488.1-1987 e IEEE 488.2-1987.

Sottogruppi GPIB

Lo strumento include i sottogruppi IEEE 488.1 riportati di seguito:

Source Handshake	SH1	(messa in comunicazione chiamante)
Acceptor Handshake	AH1	(messa in comunicazione chiamato)
Talker	T6	(dispositivo chiamante)
Listener	L4	(dispositivo in ascolto)
Service Request	SR1	(richiesta di servizio)
Remote Local	RL2	(lodale remoto)
Parallel Poll	PP1	(interrogazione ciclica in parallelo)
Device Clear	DC1	(azzeramento dispositivo)
Device Trigger	DT0	(intervento dispositivo)
Controller	C0	(controller)
Electrical Interface	E2	(interfaccia elettrica)

Query Error Register - Standard GPIB IEEE 488.2 Gestione degli errori

L'errore IEEE 488.2 UNTERMINATED (invito al dialogo senza dati da inviare) viene gestito nel modo seguente. L'errore UNTERMINATED viene generato quando lo strumento è invitato a dialogare con il codice di formattazione risposta inattivo e la coda dati d'ingresso vuota. Questo comporta l'impostazione di un Query Error (errore di domanda) nello Standard Event Status Register (registro eventi ordinari), l'inserimento del valore 3 nel registro del Query Error e il ripristino dell'analizzatore sintattico. Per ulteriori raggugli, vedi la sezione Segnalazione stati.

L'errore IEEE 488.2 INTERRUPTED (interruzione) viene gestito nel modo seguente. Se il codice di formattazione risposte è in attesa d'inviare un messaggio di risposta e l'analizzatore sintattico legge il codice <PROGRAM MESSAGE TERMINATOR> (codice finale messaggio programma) o la coda dei messaggi in entrata contiene più di un messaggio END (fine), lo strumento riceve il codice INTERRUPTED e viene generato un errore. Questo comporta l'impostazione di un Query Error nello Standard Event Status Register, l'inserimento del valore 1 nel registro Query Error e il ripristino del codice di formattazione risposte, svuotando così la coda dei dati in uscita. Per ulteriori raggugli, vedi la sezione Segnalazione stati.

L'errore IEEE 488.2 DEADLOCK (blocco dati) viene gestito nel modo seguente. Qualora il codice di formattazione risposte sia in attesa di inviare un messaggio di risposta e la coda dei dati in entrata è piena, lo strumento entra nello stato DEADLOCK e viene generato un errore. Questo comporta l'impostazione del bit Query Error nello Standard Event Status Register, l'inserimento del valore 2 nel Query Error Register e il ripristino del codice di formattazione risposta, che svuota la coda dei dati in uscita. L'analizzatore sintattico comincia ad analizzare la sintassi della <PROGRAM MESSAGE UNIT> (elemento di messaggio del programma) successivo dalla coda dei dati in entrata. Per ulteriori raggugli, vedi la sezione Segnalazione stati.

GPIB Parallel Poll - Interrogazione ciclica in parallelo GPIB

Il presente strumento è dotato di tutte le funzioni di interrogazione ciclica in parallelo. il Parallel Poll Enable register (registro abilitazione interrogazione ciclica in parallelo) viene impostato per indicare quali bit nel Status Byte Register (registro stato byte) si devono utilizzare per formulare il messaggio locale ist. Il Parallel Poll Enable Register viene impostato dal comando *PRE <nrf> e letto dal comando *PRE? Il valore nel Parallel Poll Enable Register viene aggiunto allo Status Byte Register in configurazione AND; se il risultato è zero, il valore di ist è zero, altrimenti il valore di ist è 1.

Lo strumento deve anche essere configurato di modo che il valore di ist può essere ritornato al controller durante l'operazione d'interrogazione ciclica parallela. Il controller configura lo strumento inviando il comando Parallel Poll Configure (PPC) (configura interrogazione ciclica parallela) seguito dal comando Parallel Poll enable (PPE) (abilita interrogazione ciclica). I bit nel comando PPE sono riportati di seguito:

bit 7 =	X	non importa
bit 6 =	1	abilitazione dell'interrogazione ciclica parallela
bit 5 =	1	
bit 4 =	0	
bit 3 =	significato	significato della risposta bit 0 = basso, 1 = alto
bit 2 =	?	posizione bit della risposta
bit 1 =	?	
bit 0 =	?	

Esempio. Per ritornare il bit RQS (bit 6 del Status Byte Register) come 1 quando è vero e come 0 quando è falso nella posizione bit 1 in risposta a un'operazione d'interrogazione ciclica parallela, inviare i comandi seguenti

*PRE 64 <pmt> e quindi il PPC seguito da 69H (PPE)

La risposta all'interrogazione ciclica parallela proveniente dallo strumento sarà 00H se RQS è 0 e 01H se RQS è 1.

Durante la risposta di interrogazione ciclica parallela, le linee dell'interfaccia DIO hanno una terminazione resistiva (terminazione passiva), che consente a più dispositivi di condividere la stessa posizione dei bit sia in configurazione AND che OR. Per ulteriori ragguagli, vedi IEEE 488.1.

Rapporti di stato

Per ogni interfaccia viene creato un modello di errore e di stato separato; ogni interfaccia viene considerata una possibile connessione. USB, RS232 e GPIB sono, di per se stesse, connessioni singole e, pertanto, ognuna rappresenta un'interfaccia separata. LAN, da parte sua, consente più connessioni simultanee e, pertanto, potrà rappresentare più interfacce. Due interfacce vengono assegnate alle due interfacce socket TCP mentre una terza viene assegnata all'interfaccia della pagina Web. L'assegnazione di un modello separato per ogni interfaccia assicura che i dati non vengano persi anche quando vengono avviati alcuni comandi, per es. “*ESR?”, che svuotano il contenuto della lettura.

Lo stato di errore viene conservato adottando una serie di registri, descritti nei paragrafi successivi e disponibili nello Modello di stato riportato alla fine di questa sezione.

Standard Event Status Register e Standard Event Status Enable Register (registro stati eventi ordinari e registro abilitazione stati eventi ordinari)

Questi due registri vengono utilizzati in conformità allo Standard 488.2 IEEE. I bit impostati nello Standard Event Status Register che corrispondono ai bit impostati nello Standard Event Enable Register comportano l'invio del bit ESB nello Status Byte Register.

Lo Standard Event Status Register viene letto e svuotato dal comando *ESR?. Il registro Standard Event Status Enable si imposta con il comando *ESE <nrf> e si legge con il comando *ESE?

Si tratta di un campo di bit nel quale ogni bit assume il significato seguente.

- Bit 7: Acceso. Impostato quando si accende lo strumento.
- Bit 6: Richiesta utente (Non utilizzato).
- Bit 5: Errore di comando. Impostato quando il Bus rileva un errore di sintassi in un comando. L'analizzatore sintattico (Parser) viene reimpostato e l'analisi passa al byte successivo del flusso di input.
- Bit 4: Errore di esecuzione. Impostato quando viene rilevato un errore mentre si sta tentando di eseguire un comando già completamente analizzato. Nel registro degli errori di esecuzione viene indicato il numero di errore corrispondente, vedere la sezione “Messaggi di errore”.
- Bit 3: Errore di time-out della verifica. Impostato quando un parametro viene associato alla specifica “verify” (verifica) e il valore richiesto non viene raggiunto entro 5 secondi (per es. tensione di uscita rallentata da un condensatore all'uscita di grandi dimensioni).
- Bit 2: Errore query. Visualizzato quando si verifica una query. Il corretto numero dell'errore viene riportato nel registro Errori query, vedere la sezione Registro Errori query.
- Bit 1: Non utilizzato.
- Bit 0: Operazione completata: Impostato come risposta al comando “*OPC”.

Execution Error Register (Registro degli errori di esecuzione)

Questo registro riporta un valore numerico che rappresenta l'ultimo errore riscontrato nell'interfaccia attiva. Il registro degli errori di esecuzione viene letto e svuotato dal comando "*EER?". Al momento dell'accensione questo registro viene impostato a "0" per tutte le interfacce.

I messaggi di errore assumono i significati seguenti:

- 0: Nessun errore rilevato.
- 1-9: Rilevato errore hardware interno.
- 100: Errore di gamma. Il valore numerico inviato non è ammesso. Comprende i numeri che sono troppo grandi o troppo piccoli per il parametro che deve essere impostato e l'invio di valori numerici non interi quando sono ammessi solo valori interi.
- 101: È stato richiesto un recupero dei dati di impostazione, ma quelli memorizzati contengono dati danneggiati. Indica la presenza di un guasto hardware o il danneggiamento temporaneo dei dati che, in questo caso, potrà essere risolto riscrivendo e memorizzando di nuovo i dati.
- 102: È stato richiesto un recupero dei dati di impostazione ma quelli memorizzati non contengono dati.
- 103: Tentativo di leggere o di scrivere un comando sulla seconda uscita quando questa non è disponibile. Di solito si tratta di un errore che si verifica quando si cerca di programmare la seconda uscita su strumenti a canale singolo o su strumenti a due canali impostati in modalità parallela.
- 104: Comando non valido con uscita attiva. Normalmente, questo evento si verifica quando viene usato il comando 'IRANGE <n>' senza aver disattivato prima l'uscita.
- 200: Solo lettura. Si è tentato di modificare le impostazioni dello strumento da un'interfaccia che non possiede diritti di scrittura; vedere la sezione "Blocco dell'interfaccia".

Limit Event Status Register e Limit Event Status Enable Register

Per gli alimentatori a uscita singola vi è un solo registro di stato degli eventi limite; per gli alimentatori doppi (a eccezione di quelli operativi in modalità parallela) ve ne sono due. Questi registri vengono letti e svuotati, rispettivamente, dai comandi "LSR1?" e "LSR2?". Al momento dell'accensione questi registri vengono impostati a "0", per essere immediatamente dopo reimpostati al nuovo stato di limite.

Tutti i set di bit nel registro Limit Event Status Register che corrispondono al set di bit nel registro Limit Event Status Enable Register corrispondente provocano l'impostazione del bit LIM1 o LIM2 nel registro Status Byte Register.

- Bit 7: Riservato per utilizzo futuro.
- Bit 6: Impostato quando si è verificata un'apertura che può essere reimpostata solo agendo sul pannello frontale o disattivando e riattivando l'alimentazione CA.
- Bit 5: Riservato per utilizzo futuro.
- Bit 4: Riservato per utilizzo futuro.
- Bit 3: Viene impostato quando interviene la termica sovracorrente dell'uscita
- Bit 2: Viene impostato quando interviene la termica sovratensione dell'uscita
- Bit 1: Impostato quando l'uscita raggiunge la corrente limite (modalità CC).
- Bit 0: Impostato quando l'uscita raggiunge la tensione limite (modalità CV).

Status Byte Register e Service Request Enable Register

Questi due registri vengono utilizzati in conformità allo standard IEEE 488.2.

I bit impostati nello Status Byte Register che corrispondono ai bit impostati nello Service Request Enable Register comportano l'invio del bit RQS/MSS nello Status Byte Register generando così una Service Request sul bus.

Lo Status Byte Register viene letto o dal comando *STB?, che ritorna MSS nel bit 6, oppure da un'interrogazione ciclica seriale che ritorna RQS nel bit 6. Il registro Service Request Enable si imposta con il comando *SRE <nrf> e si legge con il comando *SRE?

Bit 7 - A disposizione

Bit 6 - RQS/MSS. Questo bit, definito dallo standard IEEE 488,2, contiene sia il messaggio. Requesting Service (richiesta servizio) che il messaggio Master Status Summary (sommario stati principali). RQS viene tornato in risposta a una Serial Poll ed MSS in risposta al comando *STB?.

Bit 5 - ESB. l'Event Status Bit (bit di stato evento) Si imposta se uno dei bit impostati nello Standard Event Status Register corrisponde a un bit impostato nello Standard Event Status Enable Register.

Bit 4 - MAV. il Message Available Bit. (Bit messaggio disponibile) Si imposta quando lo strumento ha un messaggio di risposta formattato e pronto da inviare al controller. Il bit viene eliminato dopo l'invio del Response Message Terminator (carattere finale messaggio di risposta).

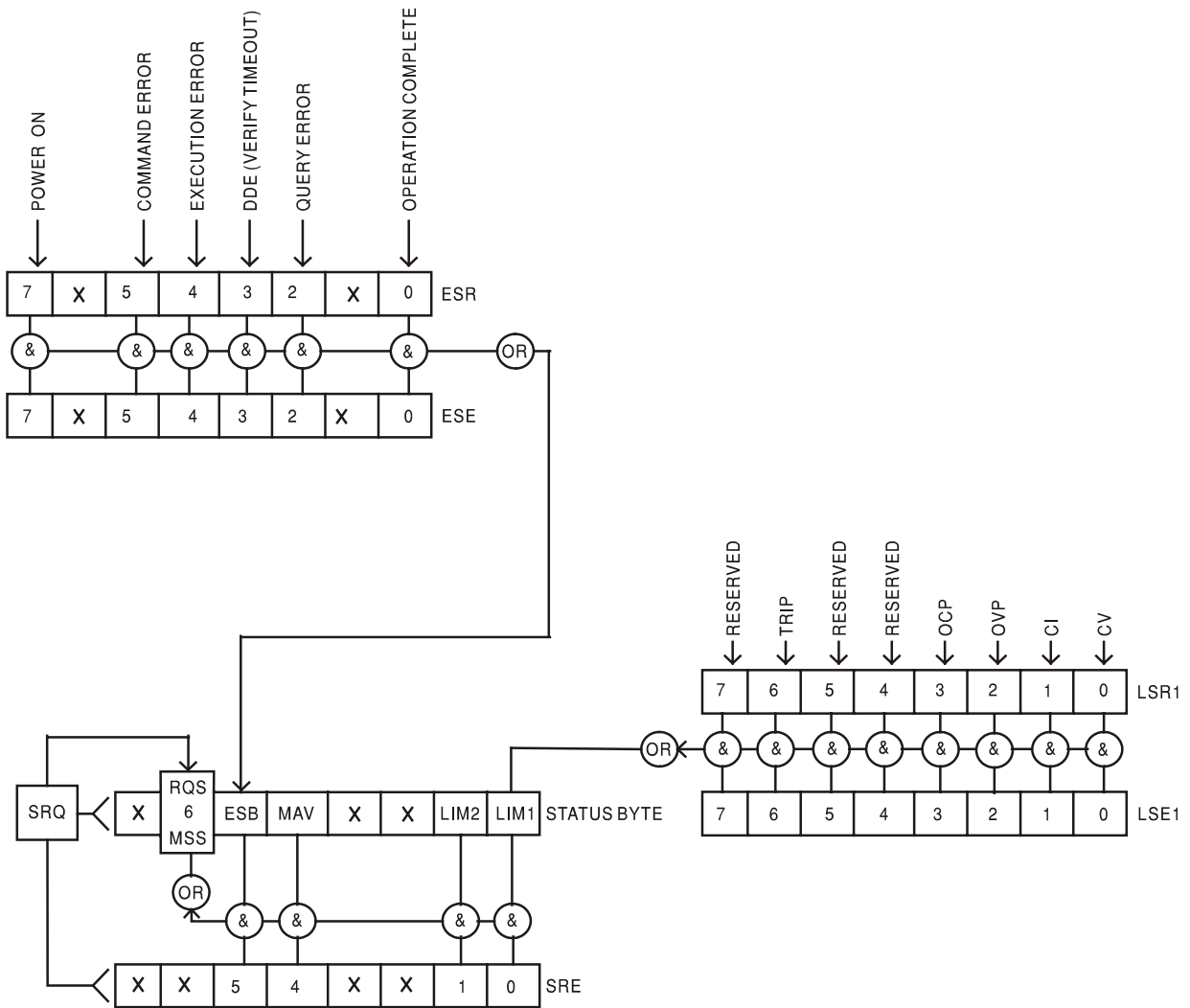
Bit 3 - A disposizione

Bit 2 - A disposizione

Bit 1 - LIM2. Viene impostato se sono impostati dei bit nel registro Limit Event Status Register 2 e i bit corrispondenti nel registro Limit Event Status Enable Register 2.

Bit 0 - LIM1. Viene impostato se sono impostati dei bit nel registro Limit Event Status Register 1 e i bit corrispondenti nel registro Limit Event Status Enable Register 1.

Modello di stato



Accensione e impostazioni predefinite per l'operatività remota

All'accensione dello strumento, vengono impostati i seguenti valori:

Status Byte Register	= 0
Service Request Enable Register †	= 0
Standard Event Status Register	= 128 (set di bit accensione)
Standard Event Status Enable Register †	= 0
Execution Error Register	= 0
Query Error Register	= 0
Parallel Poll Enable Register †	= 0

† I registri seguiti da questo simbolo interessano solo la sezione GPIB dello strumento e sono di uso limitato tramite altre interfacce.

Lo strumento sarà in stato locale, con i controlli del pannello frontale attivi (sempre che gli interruttori CV e CC del pannello posteriore siano impostati su Local).

I parametri dello strumento al momento dell'accensione sono gli stessi di quelli attivi al momento del suo precedente spegnimento, con l'eccezione dello stato di uscita. Al momento dell'accensione questo stato sarà disattivo ma l'utente potrà intervenire sul pannello frontale per impostarlo allo stato effettivo al momento dello spegnimento; vedere il paragrafo "Accensione e condizioni di accensione" della sezione "Operatività manuale".

Il comando di interfaccia "*RST" (reset, reimposta) riporta lo strumento alle impostazioni predefinite dell'operatività remota.

Le impostazioni predefinite dell'operatività remota sono:

$V_{out}=1$ V, $I_{out}=10$ mA, $\Delta V=100$ mV, $\Delta I=1$ mA, Lock cancelled (Blocco annullato), V-Span cancelled (V-Span annullato), 500 mA Range cancelled (Gamma 500 mA annullata), Meter Average cancelled (Gamma contatore annullata), OVP & OCP al 5% superiore ai massimi di gamma dello strumento. Messaggio **LAN Err** (10 secondi) abilitato quando, al momento dell'accensione, non viene rilevata alcuna connessione LAN. L'impostazione della password della pagina Configure (Configurazione) del server Web viene reimpostata al valore "No password" (Nessuna password).

Al momento dell'accensione, le impostazioni dell'interfaccia remota, le impostazioni memorizzate, i valori V_{min}/V_{max} e lo stato dell'uscita non subiscono alcuna modifica via *RST.

RS232/USB Formati dei comandi remoti

I dati seriali RS232 inviati allo strumento vengono accodati in una coda immissione a 256 byte, che viene riempita, tramite segnali di interrupt, in modo trasparente a tutte le altre operazioni dello strumento. Lo strumento invia il segnale XOFF quando ci sono circa 200 caratteri nella coda d'attesa e XON quando ci sono circa 100 spazi liberi nella coda dopo l'invio di XOFF. Questa coda contiene dati grezzi, non analizzati sintatticamente, che l'analizzatore sintattico preleva quando è necessario. I comandi (e le richieste) vengono eseguiti in ordine e l'analizzatore non inizia l'analisi di un comando nuovo fino a quando non ha completato l'analisi di quelli precedenti. Le risposte RS232 ai comandi o alle richieste sono immediate, ovvero non viene creata una coda per i dati in uscita.

I dati USB si conformano con USB 2.0 Full Speed (Piena velocità)

I comandi devono essere inviati come indica l'elenco dei comandi e devono terminare con il codice finale 0AH (Line Feed LF). I comandi possono essere inviati in gruppi e separati dal codice 3BH (;). Il gruppo di comandi deve terminare con il codice 0AH (Line Feed LF).

Le risposte dallo strumento al controller vengono inviate come indica l'elenco comandi. Ciascuna risposta viene terminata con un <RESPONSE MESSAGE TERMINATOR> (Soppressore di messaggi di risposta) che è il codice 0DH (Carriage Return CR), seguito dal codice 0AH (Line Feed, LF).

<WHITE SPACE> (spazio vuoto) viene definito come i codici di carattere da 00H a 20H incluso.

<WHITE SPACE> viene ignorato ad eccezione di quando si trova negli identificatori di comando, ovvero '*C LS' non equivale a '*CLS'.

Il bit alto di tutti i caratteri viene ignorato.

I comandi fanno distinzione fra lettere maiuscole e minuscole.

Formato dei comandi remoti GPIB

I dati inviati allo strumento vengono accordati in una coda da 256 byte, che viene riempita, tramite segnali di interrupt, in modo trasparente a tutte le altre operazioni dello strumento. Questa coda contiene dati non analizzati sintatticamente che l'analizzatore sintattico preleva quando sono necessari. I comandi (e le richieste) vengono eseguiti in ordine e l'analizzatore non inizia l'analisi di un comando nuovo fino a quando non ha completato l'analisi di quelli precedenti. Non c'è una coda per i dati in uscita, il che significa che il codice di formattazione risposta attende, anche per un periodo di tempo indeterminato, fino a quando lo strumento viene invitato al dialogo ed invia l'intero messaggio di risposta, prima di consentire all'analizzatore sintattico di eseguire il comando successivo nella coda dei dati in entrata.

Il controller invia i comandi come <PROGRAM MESSAGES> (messaggi di programma), e ciascun messaggio è composto dallo zero o da più elementi di <PROGRAM MESSAGE UNIT> (unità messaggi di programma) separati dagli elementi del <PROGRAM MESSAGE UNIT SEPARATOR> (separatore unità messaggi di programma)

La <PROGRAM MESSAGE UNIT> è uno qualsiasi dei comandi nella lista comandi remoti.

Il <PROGRAM MESSAGE UNIT SEPARATOR> è un carattere di punto-e-virgola ':' (3BH).

I <PROGRAM MESSAGES> sono separati dagli elementi del <PROGRAM MESSAGE TERMINATOR> che possono essere uno dei seguenti:

NL	Il carattere new line (0AH) (a capo)
NL^END	Il carattere new line con il messaggio END (fine)
^END	Il messaggio END con l'ultimo carattere del messaggio

Le risposte dallo strumento al controller vengono inviate come <RESPONSE MESSAGES> (messaggi di risposta). Un <RESPONSE MESSAGE> è composto da una <RESPONSE MESSAGE UNIT> (unità di messaggio di risposta) seguita da un <RESPONSE MESSAGE TERMINATOR> (codice finale messaggio di risposta).

Il <RESPONSE MESSAGE TERMINATOR> è il carattere di new line con il messaggio
END NL^END.

Ciascuna domanda genera un particolare <RESPONSE MESSAGE>, elencato unitamente al comando nell'elenco dei comandi remoti.

<WHITE SPACE> viene ignorato eccetto quando si trova negli identificatori di comando, ovvero '*C LS' non equivale a '*CLS'.

<WHITE SPACE> è definito come i codici di carattere da 00H a 20H incluso ad eccezione del carattere NL (0AH).

Il bit alto di tutti i caratteri viene ignorato.

I comandi non fanno distinzione fra lettere maiuscole e minuscole.

Elenco dei Comandi

In questa sezione sono elencati tutti i comandi e le richieste adottati in questa famiglia di strumenti. Per mantenere la compatibilità dei comandi all'interno della famiglia XEL e con gli altri alimentatori programmabili, i comandi specifici dell'uscita richiedono sempre il numero dell'uscita da includere nel comando, anche se questi strumenti hanno una sola uscita, ad esempio V1 120 per impostare l'uscita su 120 V. I pochi comandi applicabili agli strumenti a doppia uscita nella famiglia XEL sono elencati per ragioni di completezza ma saranno ignorati in questo strumento.

Si noti che non ci sono parametri dipendenti, parametri accoppiati, comandi sovrapposti, elementi di dati di programmazione espressioni o titoli dei programmi comandi composti; ciascun comando viene eseguito completamente prima di avviare comando seguente. Tutti i comandi sono progressivi e il messaggio operazione completa viene generato sempre, subito dopo l'esecuzione.

Si utilizza la seguente nomenclatura:

<rm> <RESPONSE MESSAGE TERMINATOR>

<nrf> Numero in un qualsiasi formato. Per esempio, per il numero 12 viene ammesso "12", "12.00", "1.2 e1" e "120 e-1". Qualsiasi numero, quando ricevuto, viene portato alla precisione richiesta, conforme all'utilizzo richiesto, e arrotondato per ottenere il valore del comando.

Il numero 12 può essere espresso come 12, 12.00, 1.2 e1 e 120 e-1. I numeri, una volta ricevuti, vengono trasformati con la precisione richiesta in funzione della destinazione d'uso e successivamente arrotondati per ricavare il valore del comando.

<nr1> Numero senza parte frazionale, ovvero numero intero.

<nr2> Numero espresso con punto decimale fisso, ad esempio 11.52, 0.78 ecc.

<n> Il numero dell'uscita (1 o 2) o il registro di stato associato al quale il comando fa riferimento. Negli alimentatori a doppia uscita, '1' è il Master (uscita di destra) e '2' è lo Slave (uscita a sinistra). Negli alimentatori a uscita singola, <n> è sempre 1.

I comandi che iniziano con * sono implementati come specificato in IEEE Std 488.2 come Comandi comuni. Funzionano tutti correttamente con altre interfacce, tuttavia alcuni di essi potrebbero essere di scarsa utilità.

Comandi univoci dello strumento

Per i comandi contrassegnati con "WITH VERIFY" (CON VERIFICA) le operazioni sono eseguite quando il parametro modificato raggiunge il $\pm 5\%$ o $\pm 10\%$ conteggi, a seconda del maggiore tra i due. Se il valore non dovesse raggiungere questi limiti entro 5 secondi, allora il Bit di Verifica del Timeout (bit 3) viene settato all'interno dello Standard Event status Register e l'operazione viene completata alla fine del periodo di Timeout.

Il bit di Operation Complete (bit 0) all'interno dello Standard Event Status Register è settato sempre e solo attraverso il comando *OPC. Il comando *OPC (oppure *OPC?) può essere utilizzato per sincronizzare il dispositivo, data la natura sequenziale delle operazioni remote.

V<n> <nrf>	imposta l'uscita <n> su <nrf> Volt
V<n>V <nrf>	imposta l'uscita <n> su <nrf> Volt con operazione di verifica
OVP<n> <nrf>	imposta il punto d'intervento termica sovratensione uscita <n> su <nrf> Volt
I<n> <nrf>	imposta il valore max di corrente uscita <n> su <nrf> Ampere
OCP<n> <nrf>	imposta il punto d'intervento termica sovracorrente uscita <n> su <nrf> Ampere
V<n>?	ritorna la tensione impostata per l'uscita <n> – la risposta è V <n> <nr2><rmt> dove <nr2> è espresso in Volt
I<n>?	ritorna il valore max di corrente impostato per l'uscita <n> – la risposta è <n> <nr2><rmt> dove <nr2> è espresso in Ampere
OVP<n>?	ritorna il valore impostato per l'intervento della termica sovratensione per l'uscita <n> – la risposta è VP<n> <nr2><rmt> dove <nr2> è espresso in Volt
OCP<n>?	ritorna il valore impostato per l'intervento della termica sovracorrente per l'uscita <n> – la risposta è IP<n> <nr2><rmt> dove <nr2> è espresso in Ampere
V<n>O?	ritorna il valore di tensione rilevato per l'uscita <n> – la risposta è <nr2>V<rmt> dove <nr2> è espresso in Volt
I<n>O?	ritorna il valore di corrente rilevato per l'uscita <n> – la risposta è <nr2>A<rmt> dove <nr2> è espresso in Ampere
IRANGE<n> <nrf>	Imposta la gamma della corrente di uscita <n> a <nrf>, dove <nrf> corrisponde a "1" per la gamma bassa e a "2" per la gamma alta. L'uscita deve essere disattivata prima di modificare la gamma.
IRANGE<n>?	Indica la gamma della corrente per l'uscita <n>. La risposta è <nr1><rmt>, dove <nr1> corrisponde a "1" per la gamma bassa e a "2" per la gamma alta.
DELTA V<n> <nrf>	imposta il passo di incremento/decremento tensione per l'uscita <n> su <nrf> Volt
DELTA I<n> <nrf>	imposta il passo di incremento/decremento tensione per l'uscita <n> su <nrf> Ampere
DELTA V<n>?	ritorna il passo di incremento/decremento tensione per l'uscita <n> – la risposta è DELTA V<n> <nr2><rmt> dove <nr2> è espresso in Volt.
DELTA I<n>?	ritorna il passo di incremento/decremento corrente per l'uscita <n> – la risposta è DELTA I<n> <nr2><rmt> dove <nr2> è espresso in Ampere.
INCV<n>	incrementa la tensione dell'uscita <n> per il passo impostato per l'uscita <n>
INCV<n>V	incrementa e verifica la tensione per l'uscita <n> del passo impostato per l'uscita <n>
DECV<n>	decrementa la tensione per l'uscita <n> del passo impostato per l'uscita >
DECV<n>V	decrementa e verifica la tensione per l'uscita <n> del passo impostato per l'uscita <n>

INCI<n>	incrementa il valore max corrente per l'uscita <n> del passo impostato per l'uscita <n>
DECI<n>	decrementa il valore max corrente per l'uscita <n> del passo impostato per l'uscita <n>
OP<n> <nrf>	imposta l'inserimento/disinserimento (ON/OFF) per l'uscita <n> dove <nrf> ha il seguente significato: 0=OFF, 1=ON imposta <n> su 3 per assumere il controllo dell'uscita Auxiliary
OPALL <nrf>	Imposta contemporaneamente l'inserimento/disinserimento (on/off) di tutte le uscite dove <nrf> ha il seguente significato: 0=Tutte le uscite OFF, 1=TUTTE LE USCITE ON. L'intervento su questo strumento è identico a quello di OP<n> <nrf>. Se OPALL imposta tutte le uscite su ON, le uscite già impostate su on rimangono su ON Se OPALL imposta tutte le uscite su OFF, le uscite già impostate su off rimangono su OFF
OP<n>?	Restituisce lo stato on/off dell'uscita <n>. La risposta è <nr1><rmt>, dove 1 = ON e 0 = OFF.
TRIPRST	tentativo di eliminazione di tutte le condizioni di intervento termiche da tutte le uscite
LOCAL	inserisci modalità locale. Non viene rilasciato alcun blocco di interfaccia attivo e, pertanto, l'interfaccia selezionata mantiene lo stato di blocco anche quando viene ricevuto il comando remoto successivo.
IFLOCK	Richiesta di blocco di interfaccia. Questo comando invia una richiesta di controllo di accesso esclusivo dello strumento. La risposta è "1" se la richiesta ha successo, oppure "-1" se il blocco non può essere attivato, perché già attivo oppure perché l'utente, tramite l'interfaccia Web, ha impedito che questa interfaccia assuma il controllo.
IFLOCK?	Richiesta dello stato del blocco dell'interfaccia. Il valore restituito è "1" se il blocco è stato attivato dall'interfaccia che ha inoltrato la richiesta, "0" nel caso in cui il blocco non sia attivo oppure "-1" se il blocco non può essere attivato, perché già attivo oppure perché l'utente, tramite l'interfaccia Web, ha impedito che questa interfaccia assuma il controllo.
IFUNLOCK	Rilascio del blocco, se possibile. Questo comando, se eseguito con successo, restituisce il valore "0". In caso contrario, viene restituito il valore "-1"; nel registro di esecuzione viene inserito "200" e viene impostato il bit 4 del registro di stato degli eventi per indicare che non si hanno i diritti necessari per rilasciare il blocco.
LSR<n>?	interrogazione e svuotamento di LSR<n>, registro limit status register <n> – la risposta è <nr1><rmt>. Per altre informazioni, vedere la sezione "Rapporti di stato".
LSE<n> <nrf>	imposta il valore di LSE<n>, registro limit status enable register <n>, su <nrf>
LSE<n>?	ritorna il valore di LSE<n>, registro limit status enable register <n> – la risposta è <nr1><rmt>
SAV<n> <nrf>	salva il valore di corrente attualmente impostato sulla PSU<n> nella memoria indicata da <nrf> dove <nrf> può essere 0 - 9 Se lo strumento funziona nella modalità collegata, tutte le configurazioni impostate per lo strumento vengono memorizzate nella memoria in cui vengono salvate le configurazioni per la modalità collegata indicata da <nrf>. L'indicazione <n> viene ignorata. Questa funzione non interessa le singole memorie delle PSU<n> disponibili quando lo strumento non funziona nella modalità collegata

RCL<n> <nrf>	richiama un valore impostato per la PSU <n> dalla memoria impostazioni indicata da <nrf> dove <nrf> può essere 0 – 9. Se lo strumento funziona nella modalità collegata, tutte le configurazioni dello strumento vengono richiamate dalla memoria configurazioni modalità collegata indicata da <nrf>. Il valore <n> viene ignorato.
RATIO <nrf>	Imposta il tasso di uscita 2 (slave) all'uscita 1 (master) in modalità di tracciamento a <nrf>, dove <nrf> corrisponde al tasso percentuale (0-100). Nessun intervento su questo strumento.
RATIO?	Interroga il tasso di uscita 2 (slave) all'uscita 1 (master) in modalità di tracciamento. La risposta è <nrf>, dove <nrf> corrisponde al rapporto percentuale (0-100). Nessun intervento su questo strumento.

Comandi di sistema e stati

*CLS	Cancella lo stato. Svuota la struttura dello stato. Che svuota indirettamente lo Status Byte Register
EER?	Interroga e svuota l'Execution Error Register. La risposta è nr1<rmt>.
*ESE <nrf>	Imposta lo Standard Event Status Enable Register sul valore di <nrf>.
*ESE?	Ritorna il valore nello Standard Event Status Enable Register al formato numerico <nr1>. La sintassi della risposta è <nr1><rmt>
*ESR?	Riporta il valore nello Standard Event Status Register al formato numerico <nr1>. Il registro viene successivamente svuotato. La risposta è <nr1><rmt>. Per altre informazioni, vedere la sezione "Rapporti di stato".
*IST?	Ritorna il messaggio locale ist definito dallo Standard 488.2 IEEE. La sintassi della risposta è 0<rmt> se il messaggio locale è falso oppure 1<rmt> se è vero.
*OPC	Imposta il bit Operation Complete (bit 0) nello Standard Event Status Register subito dopo l'esecuzione del comando perché tutte le operazioni vengono eseguite progressivamente.
*OPC?	Interroga lo stato Operation Complete. La sintassi della risposta è 1<rmt>. La risposta è disponibile immediatamente perché tutte le operazioni vengono eseguite progressivamente.
*PRE <nrf>	Imposta il Parallel Poll Enable Register sul valore <nrf>.
*PRE?	Ritorna il valore nel Parallel Poll Enable Register nel formato numerico <nr1>. La sintassi della risposta è <nr1><rmt>.
QER?	Interroga e svuota il Query Error Register. La risposta è nr1<rmt>.
*RST	Reimposta lo strumento sulle impostazioni predefinite del controllo remoto con l'eccezione di tutte le impostazioni dell'interfaccia remota, delle configurazioni memorizzate, dei valori Vmin/Vmax e dello stato Output nell'impostazione di accensione (vedere il paragrafo Valori predefiniti dell'operatività remota nella sezione Operatività dell'interfaccia remota).
*SRE <nrf>	Imposta il Service Request Enable Register su <nrf>.
*SRE?	Ritorna il valore del Service Request Enable Register nel formato numerico <nr1>. La sintassi della risposta è <nr1><rmt>.
*STB?	Ritorna il valore dello Status Byte Register nel formato numerico <nr1>. La sintassi della risposta è <nr1><rmt>.
*WAI	Attende che l'Operation Complete sia vera. Poiché tutti i comandi vengono eseguiti prima che venga eseguito il comando successivo, questo comando non esegue ulteriori operazioni.

Comandi vari

*IDN?	Ritorna l'identificativo dello strumento. La risposta precisa dipende dalla configurazione dello strumento e viene espressa nel formato <NAME>,<model>, <N. di serie>, <version><rmt> dove <NAME> è il nome del costruttore, <model> il tipo dello strumento, N. di serie è un valore numerico univoco e <version> il numero della revisione del software installato. Il formato di <versione> è X.xx-Y.yy, dove X.xx corrisponde al numero di revisione firmware principale dello strumento e Y.yy è il numero di revisione firmware della scheda di interfaccia. Il firmware dell'interfaccia è un campo che può essere aggiornato dall'utente tramite la porta USB.
ADDRESS?	Ritorna l'indirizzo del bus dello strumento. La sintassi della risposta è <nr1><rmt>. Si tratta dell'indirizzo utilizzato da GPIB, se disponibile, oppure potrà essere usato come identificatore generale per le altre interfacce.
CONFIG?	Visualizza la modalità operativa impostata dall'interruttore MODE del pannello frontale. La sintassi della risposta è <nr1><rmt>, dove <nr1> corrisponde a "1" per le unità a un solo canale e per le unità doppie operanti in modalità parallela, a "2" per le unità doppie con entrambi i canali che operano in modo indipendente e a "0" per le unità doppie in modalità tracciamento.
DAMPING<n> <nrf>	Imposta la media di rilevazione del contatore di corrente (I_{AVG}) dell'uscita <n>, dove <nrf> assume il significato seguente: 0 = OFF, 1 = ON.
NOLANOK <nrf>	Con <nrf> = "1" si disattiva il messaggio LAN Err se, al momento dell'accensione, non viene rilevata alcuna connessione LAN; <nrf> = "0" attiva il messaggio.
*TST?	La PSU non prevede l'esecuzione dell'autoverifica e la risposta è sempre 0 rmt>.
*TRG	La PSU non è dotata della funzione di intervento. Il comando viene accettato ma non avvia alcuna azione.

Messaggi di errore

Ciascun messaggio di errore è contrassegnato da un numero; solo quest'ultimo viene inviato all'utente attraverso le interfacce di controllo remoto. I numeri dei messaggi di errore non vengono visualizzati sul display, ma vengono memorizzati nell'Execution Error Register, dove è possibile leggerli attraverso le interfacce di controllo remote; vedi la sezione Registri stati strumento.

Manutenzione

I Produttori o i loro agenti all'estero faranno le riparazioni necessarie in caso di guasto. Qualora l'utente desiderasse eseguire il lavoro di manutenzione, tale lavoro deve essere fatto solo da personale qualificato e usando il manuale di servizio che può essere acquistato direttamente dai Produttori o dai loro agenti all'estero.

Pulizia

Se si deve pulire il dispositivo di alimentazione, usare uno strofinaccio appena bagnato con acqua o con un detergente neutro. Pulire la finestrella di visualizzazione con un panno asciutto e morbido.

ATTENZIONE! PER EVITARE SCOSSE ELETTRICHE ED EVENTUALI DANNI AL DISPOSITIVO DI ALIMENTAZIONE, NON PERMETTERE MAI ALL'ACQUA DI ENTRARE ALL'INTERNO DELL'ALLOGGIAMENTO. PER EVITARE DANNI ALL'ALLOGGIAMENTO E ALLA FINESTRELLA DI VISUALIZZAZIONE, NON PULIRE MAI CON SOLVENTI.

Este es un instrumento de Clase de Seguridad I según la clasificación del IEC y ha sido diseñado para cumplir con los requisitos del EN61010-1 (Requisitos de Seguridad para Equipos Eléctricos para la Medición, Control y Uso en Laboratorio). Es un equipo de Categoría II que debe ser usado con un suministro monofásico normal.

Este instrumento se suministra habiendo sido comprobado según la norma EN61010-1. El manual de instrucciones tiene información y advertencias que deben aplicarse para garantizar la seguridad del usuario durante su empleo.

Este instrumento ha sido diseñado para ser utilizado en el interior en un ambiente de Grado 2 de Polución a temperaturas de entre 5°C y 40°C y una humedad relativa de entre el 20% y el 80% (sin condensación). De manera ocasional puede someterse a temperaturas de entre -10°C y +5°C sin que ello afecte a su seguridad. No hay que ponerlo en funcionamiento mientras haya condensación.

El uso de este instrumento de forma no especificada por estas instrucciones puede afectar a su seguridad. El instrumento no debe ser utilizado fuera de su rango de voltaje o de su gama ambiental.

ADVERTENCIA! ESTE INSTRUMENTO DEBE CONECTARSE A TIERRA

Cualquier interrupción del conductor a tierra dentro o fuera del instrumento implicaría que el instrumento resultara peligroso. Está prohibida cualquier interrupción intencionada de la conexión a tierra. No debe utilizarse con un cable de tensión sin tierra.

Mientras el instrumento esté conectado es posible que queden sin protección elementos bajo tensión y la obertura de tapas o el retiro de piezas (salvo las accesibles por la mano) pueden dejar expuestos a elementos bajo tensión. Si se tuviera que efectuar alguna operación de ajuste, cambio, mantenimiento o reparación es necesario desconectar el instrumento de todas las fuentes de tensión. Los capacitores dentro del aparato pueden permanecer cargados aún cuando las fuentes de tensión hayan sido desconectadas, pero quedarán seguramente descargadas a alrededor de 1 minuto de haber desconectado la corriente.

Todo ajuste, mantenimiento o reparación del instrumento abierto bajo tensión debe ser evitado en lo posible pero si fuera ineludible, estos trabajos deben ser realizados exclusivamente por un personal cualificado consciente del riesgo que implican.

Si el instrumento fuera claramente defectuoso, hubiera sido sometido a un daño mecánico, a humedad excesiva o a corrosión química, su protección de seguridad puede fallar y el aparato debe sacarse de uso y devolverse para comprobación y reparación.

Asegúrese que sólo se empleen fusibles de la clasificación y tipo especificados para todo recambio. Está prohibido utilizar fusibles improvisados así como el corto circuito de portafusibles.

El instrumento no debe humedecerse al ser limpiado. Los símbolos a continuación son utilizados en el instrumento y en este manual:



Precaución: posible peligro. Consulte la documentación (este manual) para averiguar el tipo de riesgo potencial y qué acciones deben tomarse.



Terminal a tierra



alimentación principal OFF (desconectada)



alimentación principal ON (conectada)



corriente alterna (ca)

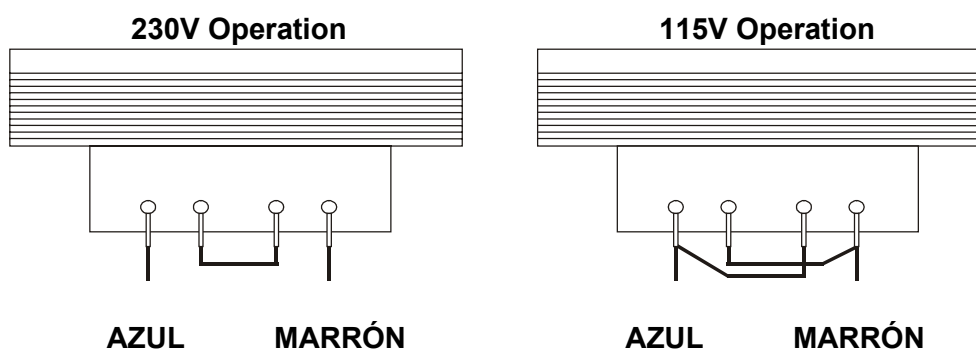


corriente continua (cc)

Tensión de la red de alimentación

Compruebe que la tensión a que funciona el instrumento, señalada en el panel trasero, es adecuada para la red de suministro local. Si es necesario cambiar la tensión, haga lo siguiente:

1. Asegure que el instrumento esté desconectado de la fuente de alimentación de CA.
2. Retire el remache de plástico de cada borde lateral de la cubierta superior. Suelte los remaches haciendo palanca con la punta de un destornillador pequeño y, a continuación, retírelos por completo. Retire los dos tornillos del panel trasero que sujetan la cubierta superior; deslice hacia atrás la cubierta para levantarla y sacarla.
3. Cambie las conexiones del transformador (dos transformadores en salida doble) observando el diagrama siguiente:



4. Realice los pasos anteriores en orden inverso para volver a montar la carcasa. Para cumplir los requisitos de las normas de seguridad, es necesario cambiar la tensión que figura en el panel trasero, con el fin de que refleje el ajuste actual.

Fusible

El fusible de CA está en el cajón de fusibles situado en la parte inferior del conector de entrada IEC.

El tipo de fusible correcto es 20 x 5mm 250V HBC tiempo retardado con las capacidades siguientes:

230V operation : 1.6A (T)

115V operation : 3.15A (T)

Asegúrese de que, cuando sea necesaria una sustitución, se utilicen únicamente fusibles de la corriente nominal y el tipo especificados. Está prohibido utilizar fusibles provisionales, así como cortocircuitar los portafusibles.

Cable de alimentación

Conecte el instrumento a la fuente de alimentación de CA mediante el cable de red que se suministra. Si se necesita un enchufe para una toma de corriente de tipo distinto, se debe utilizar un cable homologado y con la clasificación adecuada, que tendrá en un extremo el conector correspondiente a la toma de pared, y un conector IEC60320 C13 en el extremo del instrumento. Para determinar la gama de corriente mínima del cable de alimentación de CA, consulte la información sobre gamas de corriente en el equipo o las especificaciones.

ADVERTENCIA:ESTE INSTRUMENTO SE DEBE CONECTAR A TIERRA.

Cualquier interrupción del conductor de puesta a tierra, dentro o fuera del instrumento, hará que éste resulte peligroso. Está prohibida la interrupción intencionada.

Montaje

El instrumento podrá utilizarse montado en banco de trabajo y en bastidor. Un kit para el montaje en un estante de 48 cm puede obtenerse de los fabricantes o de sus agentes en el extranjero.

Ventilación

El suministro de corriente es enfriado mediante un ventilador de múltiple velocidad inteligente que facilita la convección vertical. Tenga cuidado de no restringir las entradas de aire debajo de los respiraderos de la parte superior. Si el instrumento está montado en bastidor, deje suficiente espacio por encima y debajo del instrumento y / o utilice una placa ventiladora para enfriado a presión.

Conexiones del panel frontal

La carga debe conectarse a los terminales OUTPUT (Salida) positivo (rojo) y negativo (negro). Ambas son totalmente flotantes y cualquiera de ellas puede ser conectada a tierra.

Las conexiones a la carga de detección remota, si son requeridas, se efectúan desde los terminales (-) SENSE (detección remota) positivos (+) y negativos (-). Sitúe el interruptor LOCAL/REMOTE (local / remoto) en REMOTE si requiere detección remota. Vuelva a situarlo en LOCAL si no usa detección remota.



¡Precaución! De acuerdo con la norma EN 61010-1, los voltajes por encima de 70 V de corriente continua se consideran tensión peligrosa, por lo que deberá adoptarse especial cuidado al utilizar la fuente de alimentación por encima de estos valores.

Los bornes de seguridad universales empleados para la salida de tensión cumplen con los requisitos de aislamiento reforzado para voltajes superiores a 250 V CC puesto que la distancia y el espacio hasta los contactos es superior a 2,5 mm, incluso con el borne completamente abierto. Sin embargo, se recomienda encarecidamente apretar completamente los bornes como medida habitual y realizar las conexiones únicamente **con cables que contengan patillas de seguridad de 4 mm con protector fijo**.

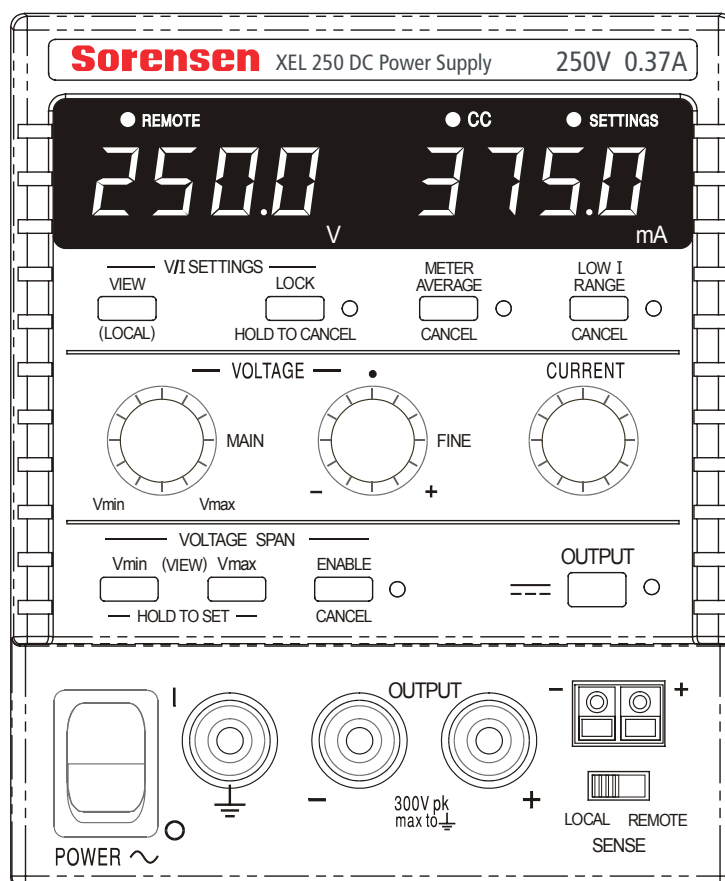
Las conexiones a cada terminal Sense se efectúan insertando el extremo pelado del cable de detección remota en el contacto mientras se mantiene presionado el resorte, soltándolo después para atrapar el cable. Asegúrese de que el extremo pelado se encuentre completamente insertado y no sea accesible con los dedos.



Las conexiones al aparato deberán siempre realizarse con la salida de tensión OUTPUT en posición OFF.

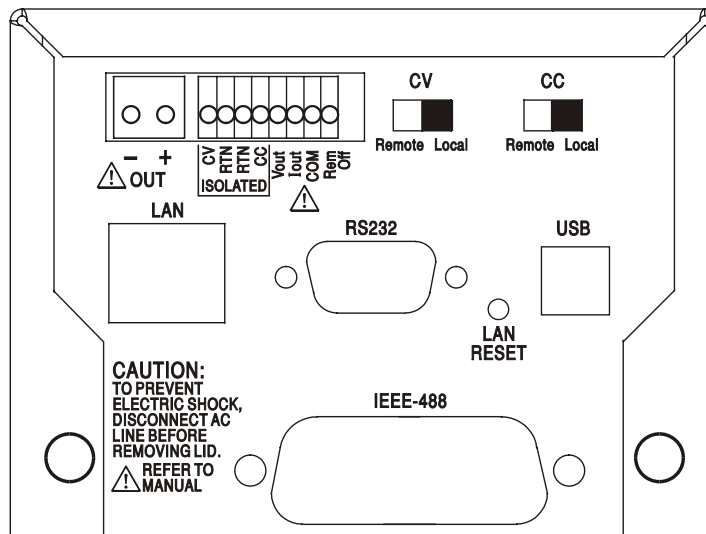
El terminal  se conecta al bastidor y a la toma de tierra de seguridad.

VISTA DEL PANEL
FRONTAL



Conexiones del panel posterior

Los modelos no programables no tienen conexiones en el panel posterior. Las conexiones en el panel posterior de las unidades programables se ilustran a continuación:



Terminales Sense y Output principal

Las terminales de salida de tensión OUTPUT se encuentran duplicadas en el área de terminales del panel trasero; por restricciones de espacio están rotuladas como + y – en el grupo OUT. Estas conexiones son análogas a sus equivalentes incluidas en el panel frontal.

Este panel trasero no cuenta con conexiones de detección remota; en caso de que una aplicación las requiera, puede emplear las ubicadas en la parte frontal. Conmute el interruptor LOCAL/REMOTE (local / remoto) a REMOTE (remoto) cuando se precise una detección remota. Cuando se usan los terminales de Output del panel posterior, el uso del detector remoto es siempre recomendado para asegurar que la regulación de salida sea mantenida dentro de la especificación. Vuelva a conmutar a LOCAL (local) cuando no se utilice la detección remota.

Control remoto analógico

Las conexiones CV y CC permiten del control analógico del Output Voltage (voltaje de salida) y el Current Limit (límite de corriente) respectivamente cuando los conmutadores deslizantes CV y CC son situados en Remote. Estas entradas, y su señal de retorno común (RTN), se encuentran aisladas de la salida; el factor de aislamiento máximo con respecto a la salida es de 300 V. La graduación de la entrada se puede ajustar de modo independiente por medio de enlaces internos, en 0 a 5 voltios (la predeterminada de fábrica) o en 0 a 10 voltios para un 0 a 100% de salida máxima. La entrada máxima permitida es de 60 V. Los conmutadores CV y CC pueden ser usados de modo independiente o conjuntamente.

Vuelva a situar los conmutadores deslizantes CV y CC en Local cuando no se use el control remoto analógico.

Salida analógica

Las conexiones V_{OUT} y I_{OUT} aportan salidas analógicas graduadas al voltaje de salida ajustado y al límite de corriente ajustado respectivamente. La graduación se configura en 5 voltios para el 0 al 100% de la salida máxima. V_{OUT} y I_{OUT} están siempre presentes en los terminales, ya sea si el instrumento está bajo control local o bien remoto.



¡Precaución! COM se refiere al circuito de control de salida y estará dentro de ~1 V del potencial de salida positiva. Siempre hay tensión V_{OUT} y I_{OUT} en los terminales.



No aplique voltajes externos a estos terminales.

Encendido / apagado remoto (modelos programables únicos solamente)

Un cierre de conmutador o nivel lógico bajo entre las conexiones Rem Off (apagado remoto) y COM apagará la salida.



¡Precaución! COM se refiere al circuito de control de salida y estará dentro de ~1 V del potencial de salida positiva.



No aplique voltajes externos a estos terminales.

RS232

Conector tipo D hembra de 9 clavijas. Las conexiones de las clavijas se muestran a continuación. Puede ser conectado a un puerto de PC estándar usando un cable macho-hembra 1:1 totalmente cableado sin conexiones cruzadas de ningún tipo.

Clavija	Nombre	Descripción
1	RI	Pasivamente afirmada (+V a través de 10k \square)
2	TXD	Datos transmitidos desde el instrumento
3	RXD	Datos recibidos en el instrumento
4	CTS	
5	GND	Señal a tierra
6	RTS	Pasivamente afirmada (+V a través de 10k \square)
7	DSR	Sin conexión interna
8	DTR	
9	CD	Sin conexión interna

La señal a tierra se conecta a la puesta a tierra del instrumento.

USB

El puerto USB se conecta a la puesta a tierra del instrumento. Cumple con USB 2.0 (máxima velocidad) y acepta un cable USB estándar. Las funciones fáciles de conectar Windows deberán reconocer automáticamente que el instrumento ha sido conectado. Si no se localiza el controlador correcto, observe las indicaciones en la pantalla Windows e instale los archivos requeridos desde el CD suministrado.

LAN

La interfaz LAN está diseñada para satisfacer las LXI (eXtensiones Lan para la Instrumentación) versión 1.2; el instrumento es compatible con la Clase C. Es posible control remoto vía la interfaz LAN usando el protocolo de sockets TCP/IP. El instrumento también contiene un servidor Web básico que aporta información sobre la unidad y permite configurarla. Como es posible configurar erróneamente la interfaz LAN, imposibilitando la comunicación con el instrumento vía LAN, se incluye un mecanismo de inicialización de configuración LAN (LCI) mediante un conmutador embutido en el panel posterior (marcado LAN RESET) para resetear la unidad a la predeterminada de fábrica.

Detalles adicionales se incluyen en el capítulo "Funcionamiento remoto". Si desea más información referente a las normas LXI consulte www.lxistandard.org/home

GPIB (opción instalada en fábrica en modelos programables únicos)

Las puestas a tierra de la señal GPIB se conectan a la tierra del instrumento. Los subconjuntos implementados son los siguientes:

SH1 AH1 T6 TE0 L4 LE0 SR1 RL2 PP1 DC1 DT0 C0 E2

La dirección GPIB se configura desde el panel frontal.

Funcionamiento manual

En este manual de funcionamiento, las teclas, controles y tomas del panel frontal se ilustran en mayúsculas, e.g. CURRENT, OUTPUT, LOCK ; los mensajes visualizados en los LED de 7 segmentos se ilustran en letra diferente, e.g. **turn oFF**, **OtP trip**. Las características adicionales del instrumento doble de modo cuádrupole (Quad-mode Dual) se describen juntas al final de este capítulo.

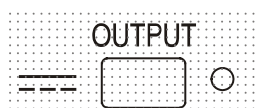
Encendido y condiciones de energización

El interruptor de POWER (energía) está situado en la parte inferior izquierda del panel frontal. Al situar el interruptor POWER (energía) en (I), el medidor derecho indica brevemente la revisión del soporte lógico antes de que el visualizador muestre los voltios y amperios.

En los modelos XEL-P programables, la secuencia de visualización por defecto en el momento de la conexión es diferente: el contador a la derecha indica brevemente la revisión de la programación en firme del instrumento seguida de la revisión de la programación en firme de la interfaz (**IF** se visualiza en el contador a la izquierda) antes de que la pantalla muestre voltios y amperios. Si, después de transcurrir unos segundos, no se detecta conexión LAN física alguna, la pantalla del instrumento parpadeará alternativamente entre los valores de corriente y voltaje normales y el mensaje **LAn Err**, durante los 10 segundos siguientes. La indicación de no hay conexión LAN en el momento de la conexión es un requerimiento esencial de conformidad con LXI pero puede ser desactivada mediante el comando "NOLANOK 1" a través de cualquier interfaz; vea más detalles en el párrafo Error LAN en la sección Funcionamiento remoto vía interfaz. Este cambio de ajuste en el momento de la conexión es retenido hasta que es invertido mediante un comando "NOLANOK 0" o mediante el uso del interruptor LAN RESET (reseteo de LAN) del panel posterior para restaurar el ajuste LAN en fábrica por defecto; vea el párrafo LAN en la sección Funcionamiento remoto vía interfaz.

Debe tenerse en cuenta que los mensajes de la pantalla no afectan la operación del suministro de energía propiamente dicho.

En el momento de la conexión, el ajuste en fábrica por defecto es con la salida apagada. La corriente y el voltaje de salida preajustados serán determinados mediante los ajustes de control actuales los cuales se muestran en la pantalla. Todos los demás ajustes serán los utilizados en el momento de la última desconexión.



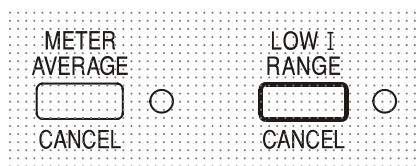
El estado de la salida de CC en el momento de la conexión puede ser ajustado a "siempre apagada" o "igual que en la última desconexión". El ajuste puede ser cambiado como sigue. Con la tecla VIEW (visualizar) pulsada, presione y mantenga presionada la tecla OUTPUT (salida) **---**; el visualizador mostrará primero el ajuste actual durante 1 segundo (**OP OFF** si todavía está seleccionado el ajuste por defecto) antes de parpadear el nuevo ajuste durante 2 segundos (**lASt Set** en este caso). Después de 2 segundos, el nuevo ajuste se muestra continuamente en el visualizador y el cambio es implementado; suelte las teclas OUTPUT (salida) y VIEW (visualizar).

Repitiendo este proceso se cambiará el ajuste de nuevo a su estado previo.

Control de la salida

Con el interruptor POWER encendido y la OUTPUT (salida) **---** apagada, el voltaje de salida y el límite de corriente pueden ser previamente establecidos con precisión usando los controles VOLTAGE (voltaje) y CURRENT (corriente); el contador de la izquierda muestra el voltaje establecido, el contador de la derecha muestra la máxima corriente establecida y el indicador de SETTINGS (ajustes) se enciende.

Al conmutarse el interruptor de salida, el indicador OUTPUT se enciende; el contador de la izquierda muestra ahora el voltaje real y el contador de la derecha la corriente de carga real.



El límite superior del control CURRENT puede ser conmutado entre el máximo para este modelo y 75mA con pulsaciones alternativas de la tecla LOW I RANGE (gama) de 75mA para aportar un ajuste de límite de corriente y una resolución de medición más precisos (0,01mA hasta 75mA).

Para cambiar la gama de límite de corriente la salida debe estar desactivada; si la salida está activada, el mensaje de aviso **turn OFF** se visualiza brevemente en la pantalla, el indicador OUTPUT parpadea y la gama permanece inalterada.

Voltaje constante

El voltaje de salida es ajustado usando los controles de VOLTAGE principal y preciso; el control de CURRENT establece la corriente máxima que puede ser suministrada.

Corriente constante

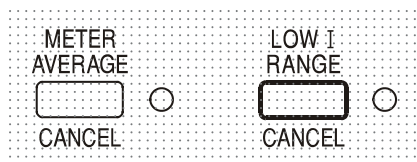
Si la resistencia de carga es lo suficiente baja de modo que, al voltaje de salida establecido, fluiría una corriente superior al ajuste del límite de corriente, el suministro eléctrico pasará automáticamente a funcionamiento en corriente constante. La salida de corriente es ajustada mediante el control de CURRENT mientras que los controles de VOLTAGE establecen el voltaje máximo que puede ser generado.

El indicador de CC se enciende para mostrar funcionamiento en corriente constante.

Salida de corriente instantánea

El control de límite de corriente se puede ajustar para limitar la corriente de salida continua a niveles de hasta 0,1mA (0,01mA en una gama de 75mA). Sin embargo, comúnmente a todos los suministros de corriente en banco de precisión, un condensador está conectado a la salida para mantener la estabilidad y una respuesta transitoria correcta. Este condensador se carga en el voltaje de salida, y la carga de la salida generará un impulso de corriente cuando el condensador se descarga, lo cual es independiente del ajuste del límite de corriente.

Promediado del contador de corriente



Para reducir la inestabilidad de medición con corrientes de carga rápidamente variables podrá seleccionarse una constante de tiempo de 2 segundos pulsando la tecla METER AVERAGE (promediado de contador); el indicador adyacente a la tecla se enciende cuando se selecciona promediado de contador. Pulse la tecla de nuevo para CANCEL (cancelar) el promediado de contador y retornar a la constante de tiempo de 20ms.

Conexión a la Carga

La carga debe conectarse a los terminales OUTPUT positivo (rojo) y negativo (negro). Ambas son totalmente flotantes y cualquiera de ellas puede ser conectada a tierra.



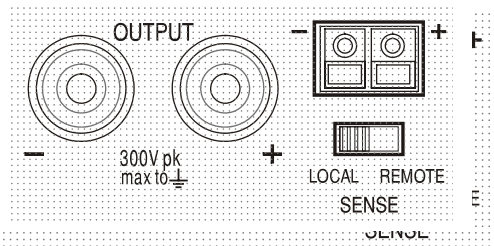
¡Precaución! De acuerdo con la norma EN 61010-1, los voltajes por encima de 70 V de corriente continua se consideran tensión peligrosa, por lo que deberá adoptarse especial cuidado al utilizar la fuente de alimentación por encima de estos valores.

Se recomienda encarecidamente realizar las conexiones únicamente con cables que contengan patillas de seguridad de 4 mm con protector fijo. Asegúrese de que el circuito en el que se realicen las conexiones esté correctamente aislado; ninguna parte accesible del circuito externo deberá presentar tensiones eléctricas peligrosas, bien en estado normal o con fallo individual, según define la norma EN 61010-1.

Las conexiones al aparato deberán siempre realizarse con la salida de tensión OUTPUT en posición OFF.

DetECCIÓN REMOTA

La detección remota es raramente necesaria, ya que la corriente máxima de salida del instrumento es baja. Sin embargo, incluso con corrientes bajas, la resistencia de los cables conectores puede generar diferencias entre el voltaje de origen indicado y el voltaje real de carga (p.ej. dos cables conectores de 200 mΩ reducirán 0,2 V a 500 mA).



Este problema se puede minimizar utilizando cables de conexión cortos y gruesos, aunque cuando sea necesario se puede solucionar completamente utilizando la capacidad de detección remota.

Esto requiere conectar los terminales de detección a la salida en la carga en lugar de en la fuente. Introduzca los cables en los terminales de muelle SENSE y conéctelos directamente en la carga. Sitúe el interruptor LOCAL/REMOTE en REMOTE.

¡Precaución! De acuerdo con la norma EN 61010-1, los voltajes por encima de 70 V de corriente continua se consideran tensión peligrosa, por lo que deberá adoptarse especial cuidado al utilizar la fuente de alimentación por encima de estos valores.

Asegúrese de que el extremo pelado del cable se encuentre completamente insertado y no sea accesible con los dedos.

Las conexiones al aparato deberán siempre realizarse con la salida de tensión OUTPUT en posición OFF.

Asegúrese de que el circuito en el que se realicen las conexiones esté correctamente aislado; ninguna parte accesible del circuito externo deberá presentar tensiones eléctricas peligrosas, bien en estado normal o con fallo individual, según define la norma EN 61010-1.

Para evitar problemas de respuesta transitoria e inestabilidad, deberá asegurarse que haya un buen acoplamiento entre cada cable de salida y detección. Esto puede hacerse retorciendo los cables conjuntamente o usando cables coaxialmente apantallados (detección a través del interior). También puede ser beneficioso colocar directamente a lo largo del punto de conexión de carga un condensador electrolítico con una clasificación de voltaje adecuada. La caída de voltaje en cada cable de salida no debe ser superior a 0,5 voltios.

Vuelva a situarlo en LOCAL/REMOTE si no usa detección remota.

CONEXIÓN DE SALIDA Y DETECCIÓN REMOTA EN MODELOS PROGRAMABLES

Todos los modelos programables tienen terminales Output y Sense duplicadas en el panel posterior, adecuadas para cuando los instrumentos son usados en un estante. En caso de requerir detección remota, pueden utilizarse los terminales frontales. Conecte los terminales Sense a la carga, observando las directrices arriba especificadas, y sitúe el conmutador LOCAL/REMOTE en REMOTE.

Si los terminales Output del panel posterior son usados sin detección remota asegúrese de que el conmutador del panel frontal sea situado en LOCAL.

CONEXIÓN EN SERIE O PARALELO CON OTRAS SALIDAS

Las salidas de alimentación son totalmente libres y se pueden utilizar en serie con otras unidades de alimentación para generar voltajes CC elevados de hasta 300 V CC.



El voltaje máximo admisible entre cualquier terminal y la toma de tierra (\perp) es de 300 V CC.



¡Precaución! De acuerdo con la norma EN 61010-1, los voltajes por encima de 70 V de corriente continua se consideran tensión peligrosa, por lo que deberá adoptarse especial cuidado al utilizar la fuente de alimentación por encima de estos valores.

Las conexiones al aparato deberán siempre realizarse con la salida de tensión OUTPUT en posición OFF.

Debe tenerse en cuenta que la unidad sólo puede generar corriente y no puede absorberla, por lo que las unidades no se pueden conectar en serie en antifase.

La unidad se puede conectar en paralelo con otras unidades para generar corrientes más grandes. Cuando se conecten varias unidades en paralelo, el voltaje de salida será igual que el de la unidad con el mayor ajuste de voltaje de salida, hasta que la corriente extraída sobrepase su ajuste de límite de corriente; en este punto la salida disminuirá hasta el siguiente ajuste más alto y así sucesivamente. En el modo de corriente constante, las unidades se pueden conectar en paralelo para ofrecer una corriente igual a la suma de los ajustes de límite de corriente.

Protección

La salida está intrínsecamente protegida contra cortocircuitos y voltajes inversos mediante un diodo. La corriente inversa continua no debe exceder 3 amperios, si bien las transitorias pueden ser mucho más altas. Si el voltaje inverso aplicado puede originar más corriente que el límite de corriente establecido, y la salida está activada, la salida pasará a límite de corriente (el indicador de CC parpadeará) y su pantalla visualizará el voltaje inverso a través del diodo de protección. Si la salida está desactivada, solamente parpadeará el indicador de CC).

Al igual que todos los suministros de corriente de un solo frente regulados en serie, la unidad no es capaz de degradar la corriente suministrada de una fuente externa. Si un voltaje superior al del voltaje de salida establecido de la unidad es aplicado desde una fuente externa, el regulador interno se desactivará y no fluirá corriente alguna. Si la salida es activada, el contador de voltaje visualizará el voltaje aplicado. No se causará daño alguno siempre que el voltaje aplicado no sea superior al voltaje de salida máximo del suministro de corriente en más de 20 voltios.

Con la OUTPUT desactivada, la carga todavía estará conectada a la fase de salida de suministro de corriente. El voltaje de salida simplemente se establece en cero. No aplique voltajes externos a los terminales de suministro de corriente superiores a 20V sobre el voltaje de salida nominal, incluso con la salida desactivada, ya que de otro modo se producirán daños.

Protección de sobretemperatura

Un detector interno detectará sobretemperatura debida a una obstrucción en la circulación del aire, un ventilador averiado u otro fallo ocurrido en el circuito. Al producirse la sobretemperatura, la salida se desactivará, el indicador OUTPUT parpadeará y la pantalla visualizará el mensaje **oTP triP**. Una vez corregida la causa de la sobretemperatura y se haya enfriado el instrumento, el indicador de salida se desactivará pero el mensaje **oTP triP** continuará visualizándose. Pulsando una vez la tecla OUTPUT, la pantalla cambiará para visualizar el voltaje y la corriente preestablecidos (el indicador SETTINGS se encenderá) pero la salida permanecerá desactivada. Al pulsar la tecla por segunda vez, la salida se activará de manera normal.

Si la tecla OUTPUT se pulsa mientras el instrumento todavía está en sobretemperatura (el indicador OUTPUT parpadea), el mensaje **oTP triP** será reemplazado por el voltaje preestablecido (el indicador SETTINGS estará encendido) pero la salida permanecerá desactivada. Cada pulsación subsiguiente de la tecla OUTPUT hace visualizar brevemente el mensaje **oTP triP** pero la salida permanecerá desactivada hasta que desaparece la condición de sobretemperatura.

Ajustes de visualización



El límite de corriente y el voltaje establecido son siempre visualizados cuando la salida está desactivada, pero también pueden ser visualizados pulsando la tecla VIEW (visualizar). El indicador SETTINGS estará encendido mientras se la tecla VIEW permanece pulsada.

Ajustes del bloqueo

Al pulsar la tecla LOCK se bloquean digitalmente límite de corriente y el voltaje establecido. Los ajustes son almacenados con una precisión superior a 1 dígito. Ajustes subsiguientes de los controles de VOLTAGE y CURRENT no tendrán efecto alguno.

Debido a que si se cancela LOCK, los ajustes de salida cambiarán si se han desplazado las posiciones de control de VOLTAGE y CURRENT, se generarán recordatorios de aviso antes de que pueda cancelarse LOCK.

Pulse y mantenga pulsada la tecla para cancelar LOCK.

Si la OUTPUT está apagada (estado seguro) el visualizador parpadeará dos veces los ajustes de “desbloqueada” antes de implementarse el cambio; la lámpara LOCK se apaga.



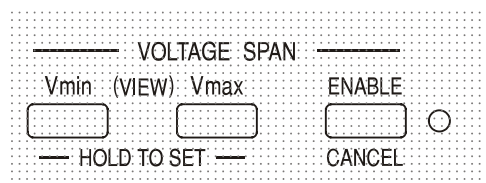
Si la salida todavía está encendida, **OP on** (salida encendida) parpadeará dos veces en el visualizador, seguido del parpadeo de los nuevos ajustes “desbloqueados” durante 2-3 segundos (primero lentamente y luego con más rapidez) antes de que el cambio sea finalmente implementado; la lámpara LOCK se apaga cuando se realiza el cambio.

Soltando la tecla LOCK en cualquier momento mientras parpadea el visualizador se abortará la cancelación de LOCK. El intento de cambiar la gama de límite de corriente (vea el apartado Configuración de la salida anterior) o los límites de amplitud de voltaje (vea el apartado Amplitud de voltaje) con el indicador LOCK encendido tampoco es permitido. Si se intenta, el mensaje **UnLoc** es visualizado brevemente en la pantalla y el indicador LOCK también parpadea. Si la salida también está activada cuando se hacen estos intentos, el mensaje **turn OFF** es primero visualizado en la pantalla (acompañado del parpadeo del indicador de salida) seguido del mensaje **UnLoc** (con el indicador LOCK parpadeando).

El estado LOCK en el encendido será el mismo que la última vez que se apagó.

Uso de la amplitud de voltaje

La característica VOLTAGE SPAN (**V-Span**) (amplitud de voltaje) permite al usuario redefinir los valores de tope final de los controles de VOLTAGE, de modo que éstos funcionen dentro de una gama de voltaje más estrecha específica. Esto no sólo ofrece la ventaja de proteger contra la aplicación accidental de la carga de voltajes fuera de la gama, sino que también ofrece un control analógico de alta resolución en la gama de voltaje especificada mediante la rotación a 300° de los controles de voltaje.



La V-Span se enciende o apaga mediante la tecla ENABLE (activar). La lámpara ENABLE se enciende cuando se selecciona V-Span. El ajuste en fábrica por defecto es $V_{\min} = 3V$, $V_{\max} = 5V$

Debido a que al activar la V-Span siempre se cambia el voltaje de salida, solamente podrá activarse o cancelarse con la salida desactivada. Si se intenta activar V-Span con la salida activada o cancelada, la pantalla visualizará brevemente el mensaje **turn OFF** para indicar al usuario que proceda a desactivar la salida.

Para ajustar nuevos valores para V_{\min} o V_{\max} , la función V-Span debe estar apagada (cancelada).

El límite de voltaje inferior se define usando los controles MAIN y FINE VOLTAGE (voltaje principal y preciso) para establecer el valor exacto requerido. Seguidamente la tecla V_{\min} se mantiene pulsada hasta que en parpadeo en la pantalla (V) se detiene y en la pantalla (mA) derecha se visualiza **set**. El ajuste podrá ser visualizado (VIEW) en cualquier momento pulsando brevemente (<1 segundo) la tecla V_{\min} . El límite del voltaje superior se establece y visualiza exactamente del mismo modo usando los controles de VOLTAGE y pulsando la tecla V_{\min} .

Estos límites pueden ajustarse en cualquier orden y en cualquier valor dentro de la gama de salidas del instrumento, pero la V-Span sólo puede activarse pulsando la tecla ENABLE si $V_{\max} \geq (V_{\min} + 0,1V)$. Si no se satisface este requisito, el mensaje **Set Err** es visualizado brevemente y la función V-Span no es implementada.

Cuando se activa la V-Span, la gama del control de MAIN VOLTAGE (voltaje principal) es exactamente de V_{\min} a V_{\max} cuando el control FINE (preciso) está ajustado en su punto intermedio, marcado en el panel con •. El propio control FINE puede ser eficazmente usado para aportar un ajuste preciso adicional de $\pm 1\%$ (de la amplitud de voltaje). Observe, en cambio, que si V_{\max} se encuentra próximo a 250 V, el control preciso no puede ajustar el voltaje por encima de 250,0 V.

El estado V-Span en el encendido será el mismo que la última vez que se apagó.

Control analógico remoto (modelos programables únicos solamente)

El control analógico programable remoto del voltaje de salida es posible mediante el uso de voltajes de control externos variables aplicados entre las entradas CV o CC y Return (RTN) del panel posterior respectivamente. Estas entradas se encuentran aisladas de la salida; el factor máximo de aislamiento respecto a la salida es de 300 V. Las entradas están protegidas frente a corrientes de entrada excesivas de hasta 60 V.

Los voltajes de control de Analog Out (salida analógica) V_{out} y I_{out} de una unidad que funciona como “maestra” pueden ser usados para controlar una unidad “esclava” vía las entradas CV y CC de la esclava respectivamente.

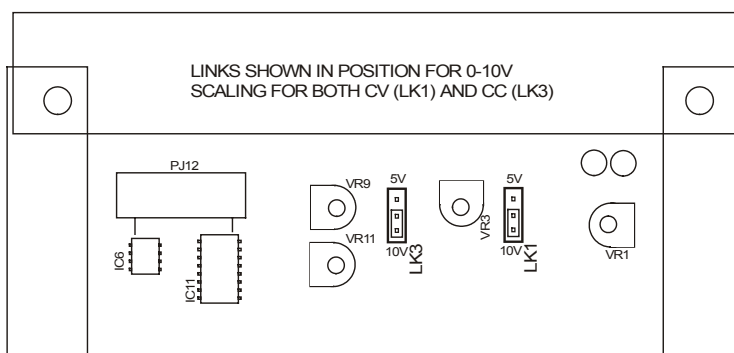
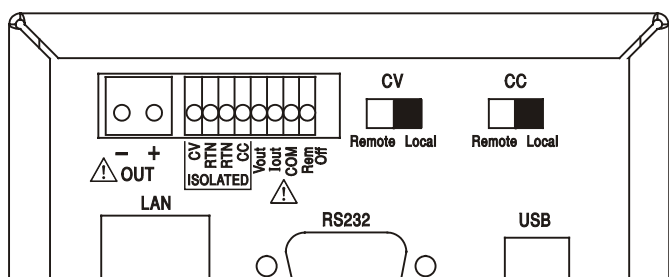
Control de voltaje analógico

El control de voltaje analógico remoto se consigue situando el conmutador CV del panel posterior en Remote y aplicando un voltaje de programación entre las entradas CV y RTN.

Los controles de VOLTAGE del panel frontal son desactivados cuando el conmutador CV se sitúa en Remote. Sitúe el conmutador en Local para devolver el control al panel frontal.

La graduación de voltaje de entrada predeterminada de fábrica es de 0V a 5V para 0 a 100% del voltaje de salida nominal. La graduación del voltaje de entrada puede modificarse para que vaya de 0 V a 10 V cambiando un puente. Desconecte el instrumento de la alimentación de AC y desmonte la cubierta como se describe en la sección de Instalación. Consultando la vista superior del aparato tal como se muestra en el esquema, mueva el puente largo a la posición LK1 para conectar la patilla central con la patilla '10V' en lugar de conectarla con la patilla '5V'.

Remote CV puede ser usado con Local o Remote CC.



Control de corriente analógico

El control remoto de corriente constante analógico se obtiene aplicando un voltaje de programación entre las entradas CC y RTN. Este control no puede ser utilizado en el rango bajo de tensiones.

El control CURRENT (corriente) del panel frontal es desactivado cuando el conmutador CC se sitúa en Remote. Sitúe el conmutador en Local para devolver el control al panel frontal.

La graduación de voltaje de entrada predeterminada de fábrica es de 0V a 5V para 0 a 100% de la máxima corriente nominal (gama elevada solamente). La graduación del voltaje de entrada puede modificarse para que vaya de 0 V a 10 V cambiando un puente. Desconecte el instrumento de la alimentación de AC y desmonte la cubierta como se describe en la sección de Instalación.

Consultando la vista superior del aparato tal como se muestra en el esquema, mueva el puente largo a la posición LK3 para conectar la patilla central con la patilla '10V' en lugar de conectarla con la patilla '5V'.

Remote CC puede ser usado con Local o Remote CV.



PRECAUCIÓN. No aplique voltajes de control externos a la entrada CV o CC superiores al máximo fijado para la gama de entradas (5V ó 10V). Las entradas está protegidas contra sobrevoltajes pero el instrumento intentará suministrar un voltaje o una corriente de salida superiores a su máxima capacidad nominal si el voltaje de control excede el límite de su gama, con el posible daño ulterior. Si la condición persiste, OVP y / o OCP pueden desconectar la salida; vea la sección siguiente.

OVP y OCP

OVP (protección contra sobrevoltajes) y OCP (protección contra sobrecorrientes) son implementados soporte lógico inalterable y solamente pueden ser usados bajo control remoto vía interfaces RS232, USB, LAN (LXI) o GPIB. Las resoluciones de configuración son 10mV y 1mA los tiempos de respuesta típicos son 500ms.

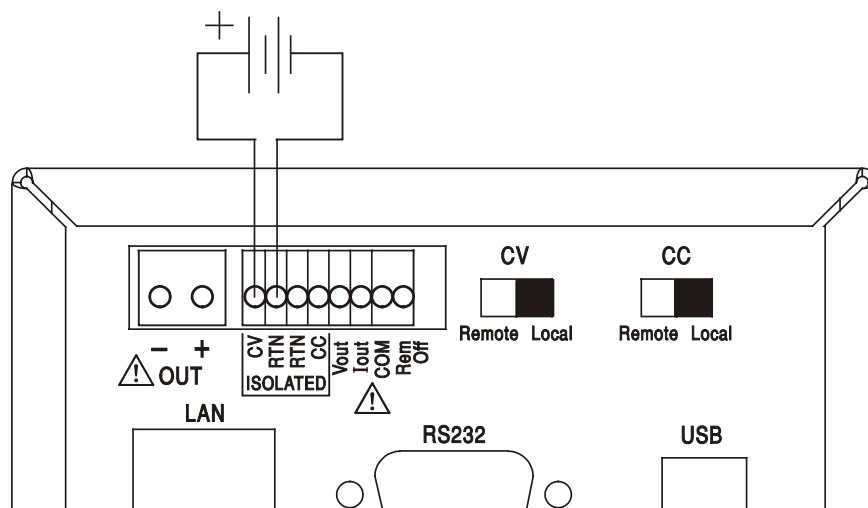
No obstante, en modo local, OVP y OCP todavía están activos pero pasan automáticamente por defecto a un 105% del alcance máximo del instrumento. Esto aporta una útil protección contra parada en el caso de aplicación prolongada de un voltaje de control CV o CC que intenta configurar la salida más allá del 105% del alcance máximo.

Consideraciones prácticas a la hora de usar CV y CC

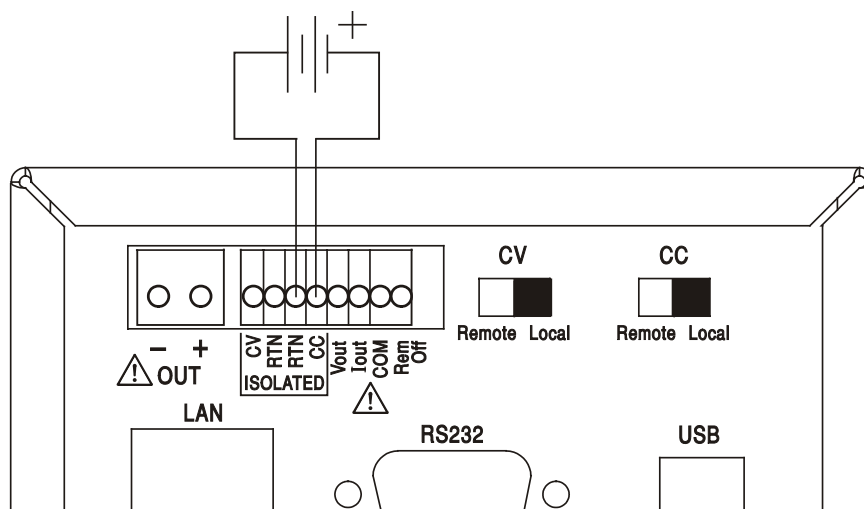
La estabilidad de los voltajes de control afecta directamente la estabilidad de la salida. Cualquier ruido en las señales de control generarán ruido en la salida. Para minimizar el ruido en la salida, conecte los voltajes de control a las entradas CV, CC y RTN usando pares trenzados o apantallados (los apantallados puestos a tierra en un extremo solamente) y procure que las conexiones sean lo más cortas posible. Observe que el ruido es ligeramente mayor de manera inherente al usar el control remoto analógico. Ello se debe al ruido intrínseco del circuito de aislamiento de la entrada. Consulte las especificaciones.

En los diagramas siguientes se muestran las conexiones para control de Constant Voltage (voltaje constante) (CV) y Constant Current (corriente constante) (CC) usando un voltaje externo.

Control de voltaje constante



Control de corriente constante



Obsérvese que cuando OUTPUT está activado, la pantalla del instrumento siempre visualiza el voltaje y la corriente de salida real, cualquiera que sea la fuente de control activada. No obstante, cuando OUTPUT está desactivado, la pantalla visualizará el voltaje y la corriente preseleccionados ajustados mediante los controles del panel frontal (o la interfaz digital si está activada) y no los valores determinados por las entradas CV y CC incluso si han sido activadas (CV y CC situados en Remote). Para evitar confusión es conveniente situar los controles del panel frontal al mínimo cuando se usan CV y CC remotos.

Voltajes de control de salida analógica

Los voltajes de control de salida analógica V_{out} y I_{out} son generados de los voltajes de control internos reales, para los cuales la fuente activa pueden ser los controles del panel frontal, la interfaz digital (RS232, USB, LAN o GPIB) o las entradas analógicas remotas CV y CC. V_{out} y I_{out} son graduados de modo que de 0 al 100% del voltaje y corriente de salida nominales (gama elevada solamente) generen de 0V a 5V en los terminales V_{out} y I_{out} del panel posterior con respecto a COM. I_{out} corresponde siempre a la corriente fijada, ya esté la salida activada o desactivada, pero V_{out} pasa a 0V cuando la salida es desactivada.



¡Precaución! COM se refiere al circuito de control de salida y estará dentro de ~1 V del potencial de salida positiva. Siempre hay tensión V_{OUT} y I_{OUT} en los terminales.

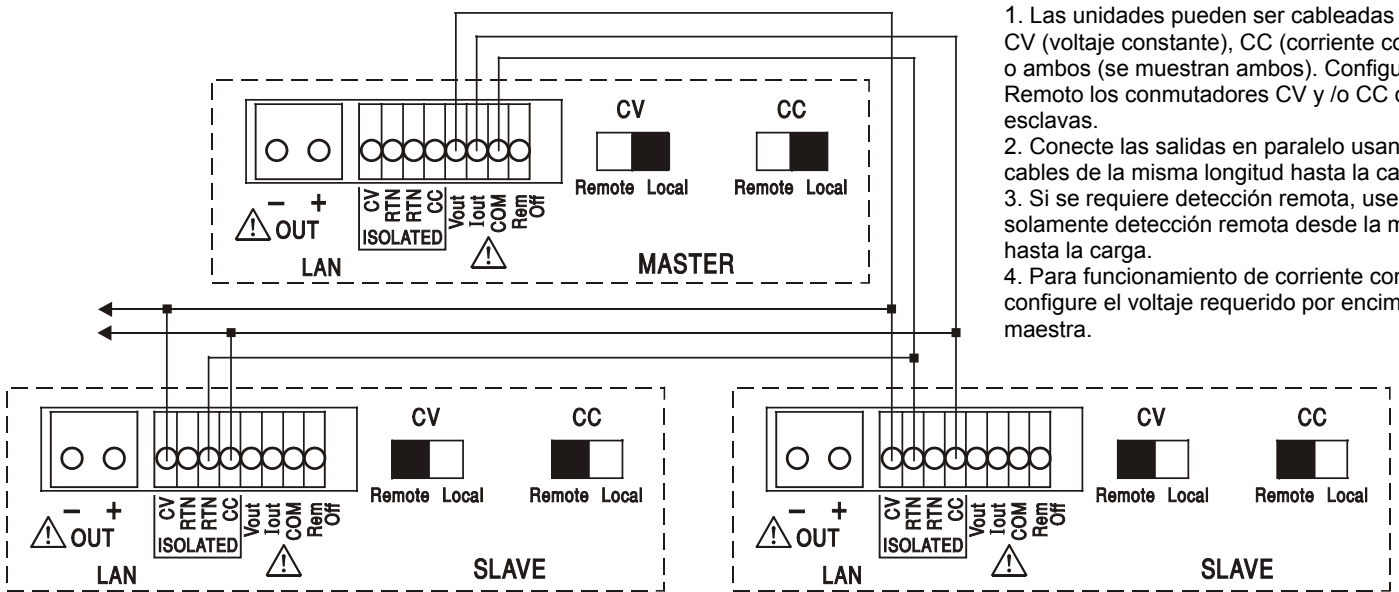
Funcionamiento en paralelo en configuración Master-Slave (unidad maestra-esclava)

El funcionamiento en paralelo en configuración Master-Slave permite generar corrientes de salida más altas con igual distribución de corriente entre unidades y control de tanto voltaje como corriente de una unidad individual. Todas las unidades deberán ser del mismo tipo, i.e. del mismo voltaje y corriente de salida nominal. En el diagrama se muestran 3 unidades conectadas en paralelo. Para una distribución igual de corriente, cada unidad debe ser conectada de modo independiente a la carga con pares de cables de igual calibre y longitud para asegurar caídas de voltaje iguales.

Conecte el V_{out} , I_{out} y COM del maestro a las entradas CV, CC y RTN de los esclavos (coloque los interruptores CV y CC en Remote) como se indica.

El voltaje y la corriente de la unidad maestra pueden ser ajustados ya sea mediante los controles del panel frontal vía la interfaz digital, o bien mediante un voltaje externo aplicado a sus propias entradas de control analógico CV y CC.

Funcionamiento en paralelo en configuración Master-Slave



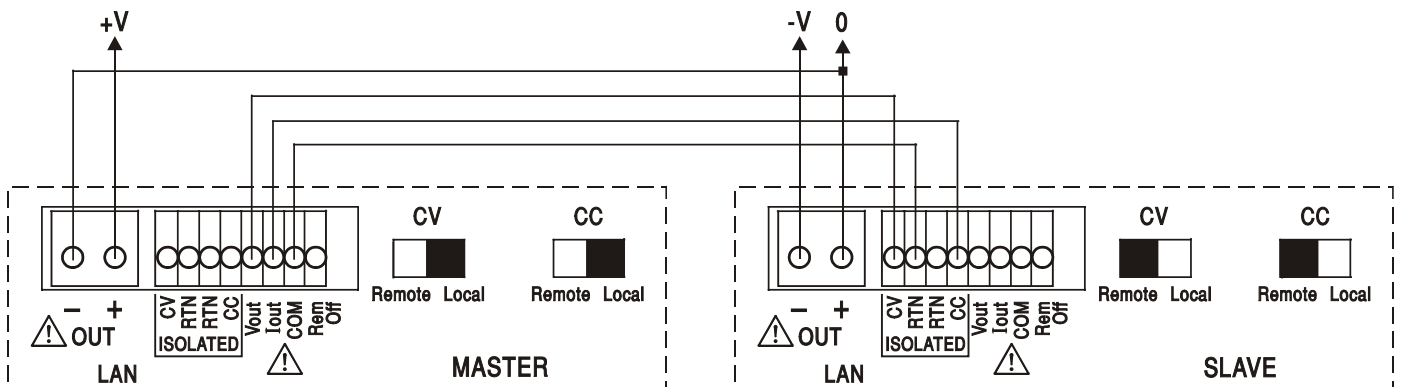
Notas:

1. Las unidades pueden ser cableadas para CV (voltaje constante), CC (corriente constante) o ambos (se muestran ambos). Configure en Remoto los conmutadores CV y /o CC de las esclavas.
2. Conecte las salidas en paralelo usando cables de la misma longitud hasta la carga.
3. Si se requiere detección remota, use solamente detección remota desde la maestra hasta la carga.
4. Para funcionamiento de corriente constante configure el voltaje requerido por encima en la maestra.

El modo de voltaje constante, el voltaje a través de la carga es el configurado en la unidad maestra mediante sus controles del panel frontal, vía la interfaz digital o mediante la entrada de control remoto CV analógico. El límite de corriente para el sistema (i.e., la corriente en modo de corriente constante) es el límite de corriente configurado en la unidad maestra x n, donde n es el número total de unidades conectadas en paralelo.

Funcionamiento aislado o en serie con la configuración maestro-esclavo

El funcionamiento aislado o en serie con la configuración maestro-esclavo permite fijar desde un único instrumento los seguimientos de límites de corriente y voltajes de salida de múltiples unidades. Todas las unidades deberán ser del mismo tipo; es decir, con la misma clasificación de voltaje y corriente. El diagrama muestra dos unidades conectadas en serie para registrar voltios \pm y límites de corriente. Conecte el V_{out} , I_{out} y COM del maestro a las entradas CV, CC y RTN de los esclavos (coloque los interruptores CV y CC en Remote) como se indica.



Si requiere límites de corriente independientes, coloque CC en Local y establezca los límites desde el panel frontal de cada unidad.



¡Precaución! Durante el funcionamiento en serie, cuide de no superar el voltaje operativo máximo (300 V) de ninguna terminal con respecto a la toma de tierra (\perp).

Desactivación remota

Un cierre de conmutador o lógico bajo entre las entradas panel Rem Off y COM del panel posterior desactivará remotamente la salida si había sido previamente activada; también se apagará la lámpara OUTPUT del panel frontal. Al abrir el conmutador entre Rem Off y COM se activará de nuevo la salida.



¡Precaución! COM se refiere al circuito de control de salida y estará dentro de ~1 V del potencial de salida positiva.

Funcionamiento remoto vía interfaz

El instrumento puede ser controlado remotamente vía sus interfaces (opcionales) RS232, USB, LAN o GPIB. El control analógico remoto se describe en la sección previa.

El control remoto USB funciona exactamente como se describe para el RS232, aunque a través del conector USB. El software suministrado con el instrumento configura el ordenador controlador para tratar la conexión USB como un puerto COM virtual. El software de aplicación del ordenador puede acceder el instrumento vía este puerto COM.

La interfaz LAN está diseñada para satisfacer las LXI (eXtensiones Lan para la Instrumentación) versión 1.2; el instrumento es compatible con la Clase C. Es posible control remoto vía la interfaz LAN usando el protocolo de sockets TCP/IP. El instrumento también contiene un servidor Web básico que aporta información sobre la unidad y permite configurarla desde un hojeador de Web. También es posible desde el hojeador simple control por línea de comando.

El instrumento se envía de serie con RS232, USB y LAN; el GPIB es opcional. Todas las interfaces están, por defecto, activadas en todo momento (un requerimiento de LXI) pero el acceso a interfaces individuales se puede restringir usando las opciones de configuración en las páginas Web.

Bloqueo de interfaz

Todas las interfaces están activas en todo momento; con esto se elimina la necesidad de seleccionar la interfaz activa y también es un requerimiento de LXI. Para reducir el riesgo de que el instrumento esté por descuido bajo el control de dos interfaces al mismo tiempo, en el conjunto de instrucciones se incluye un simple mecanismo de bloqueo y desbloqueo. El bloqueo se desactiva automáticamente cuando es posible detectar desconexión y cuando se pulsa el botón local. El acceso a las interfaces también se puede restringir usando las páginas Web.

Cualquier interfaz puede solicitar el control exclusivo del instrumento enviando un comando "IFLOCK". El bloqueo se puede desactivar enviando un comando "IFUNLOCK" desde la interfaz ejemplo que actualmente tiene el bloqueo y se puede consultar desde cualquier interfaz enviando un comando "IFLOCK?". La respuesta a cualquiera de estos comandos será "-1", si el bloqueo pertenece a otra interfaz ejemplo, "0" si la interfaz está libre y "1" si el bloqueo pertenece a la interfaz ejemplo solicitante. Enviando cualquier comando desde una interfaz sin privilegios de control que intenta cambiar el estado del instrumento fijará el bit 4 del Standard Event Status Register (registro de estado de eventos estándar) y emplazará 200 en el Execution Error Register (registro de errores de ejecución) para indicar que no hay privilegios suficientes para la acción requerida.

Nota: También es posible configurar los privilegios para una interfaz determinada a "read only" (sólo lectura) o "no access" (sin acceso) desde la interfaz de la página Web.

Selección de dirección

La capacidad de dirección del instrumento es estrictamente requerida solamente por la interfaz GPIB. No obstante, el comando ADDRESS? puede ser usado en cualquiera de las interfaces para identificar fácilmente cuál es el instrumento que está siendo controlado mediante un puerto COM determinado (para RS232 ó USB) o socket TCP (para LAN). Téngase en cuenta que la interfaz LAN también tiene una función "Identify" (identificación) separada, accesible desde las páginas Web del instrumento, que hace parpadear a la pantalla del instrumento hasta que la función es cancelada.

La dirección se configura desde el panel frontal del instrumento como sigue. Comience con el aparato apagado y, manteniendo pulsadas al mismo tiempo las teclas Lock, Meter Average y Current Range enciéndalo. La pantalla mostrará **Addr** en el apartado de voltios y **nn** en el apartado mA, siendo **nn** la configuración actual (por defecto, **Addr 11**).

El valor de la dirección puede aumentarse o reducirse mediante las teclas Meter Average y Current Range respectivamente entre los valores 1 al 31, ambos incluidos (no el 0), pudiendo saltar desde el valor 31 de nuevo al 1 y viceversa. Para confirmar la dirección y salir del proceso se debe mantener apretada la tecla Lock; la pantalla mostrará **SEt** y la nueva dirección durante unos 2 segundos, volviendo a la visualización normal de voltios y mA una vez aceptada dicha nueva dirección. La dirección también se puede fijar desde las páginas Web del instrumento.

Funcionamiento remoto / local

En el momento de la puesta en marcha, el instrumento estará en estado local con el indicador REMOTE apagado. En este estado todas las funciones del panel frontal son posibles. Cuando el instrumento se configura para escuchar y se recibe un comando, se introducirá el estado remoto y se apagará el indicador REMOTE. En este estado se bloquea el panel frontal y solamente serán procesados comandos remotos. Los ajustes V/I, el ajuste Average (promedio), Current Range el (los) estado(s) de salida permanecen intactos pero LOCK y V-Span son cancelados si habían sido activados. Los valores Vmin y Vmax son retenidos. El instrumento puede ser restituido al estado local pulsando la tecla LOCAL; no obstante, el efecto de esta acción solamente durará hasta que el instrumento es de nuevo direccionado o recibe otro carácter desde la interfaz, cuando una vez más será introducido el estado remoto. Al volver a Local mediante esta acción, o mediante el uso del comando LOCAL, se mantendrán los ajustes V/I en sus últimos valores fijados remotamente, con Lock Settings (ajustes bloqueados), y la(s) salida(s) se mantendrán en su estado actual.

Interfaz RS232

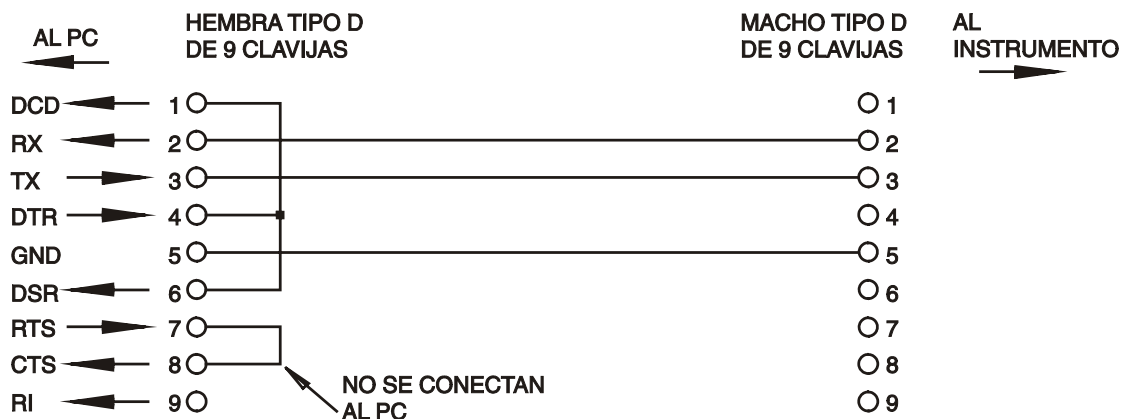
Conector de la interfaz RS232

El conector en serie de tipo D de 9 clavijas de la interfaz se encuentra en la parte trasera del instrumento. A continuación se enumeran las conexiones de los pines:

Pin	Nombre	Descripción
1	RI	Validado pasivamente (+V con 10k Ω)
2	TXD	Datos transmitidos desde el instrumento
3	RXD	Datos recibidos en el instrumento
4	CTS	
5	GND	Toma de tierra
6	RTS	Validado pasivamente (+V con 10k Ω)
7	DSR	Sin conexión interna
8	DTR	
9	CD	Sin conexión interna

Conexiones RS232

La interfaz RS232 debe conectarse a un puerto de PC estándar con un cable macho-hembra 1:1 sin ninguna conexión cruzada. Otra posibilidad es conectar sólo los pines 2, 3 y 5 al PC, pero se deben puentear los pines 1, 4 y 6 y los pines 7 y 8, en el extremo del PC (consulte el diagrama).



Baud Rate (velocidad de transmisión) para este instrumento se configura en 9600; los otros parámetros se configuran como sigue:

Bits iniciales: 1	Paridad: Sin paridad
Bits de datos: 8	Bits de parada: 1

Juego de caracteres de RS232

Dado que es necesaria la negociación XON/XOFF, sólo es posible enviar datos en código ASCII; no se aceptan los bloques binarios. El bit 7 de los códigos ASCII se pasa por alto, esto es, se presupone que está desactivado. Los comandos no distinguen entre mayúsculas y minúsculas; se pueden utilizar indistintamente. Los caracteres ASCII por debajo de 20H (de espacio) no se utilizan. En este manual, 20H, etc. significa 20 en base hexadecimal. La unidad enviará XOFF cuando hay 50 bytes libres remanentes y XON cuando incrementan a 100 bytes.

Interfaz USB

La interfaz USB es un puerto COM virtual que puede ser controlado mediante un PC como si se tratara de un dispositivo RS232. El instrumento se suministra con un CD que contiene un archivo .inf para los controladores Microsoft estándar disponibles en Windows 2000, XP, Vista y Windows 7; el asistente instalará el controlador (de 32 ó 64 bits) adecuado para el sistema operativo del equipo.

La instalación del controlador de la interfaz se realiza conectando el instrumento a un PC a través de un cable estándar USB. Las funciones “plug and play” (enchufar y jugar) de Windows reconocerán automáticamente el nuevo hardware que se conecte a la interfaz USB. Si es la primera vez que se realiza la conexión, indique la ubicación de un controlador adecuado. A condición de que se sigan correctamente las indicaciones de Windows, el sistema operativo instalará el controlador correspondiente y establecerá un puerto COM virtual en el PC. El número del nuevo puerto COM dependerá del número de puertos COM que ya existan en el PC. El puerto COM virtual podrá ser controlado por las aplicaciones Windows exactamente igual que un puerto estándar, salvo que el ajuste de velocidad en baudios del puerto COM virtual es ignorado.

El controlador seguirá instalado en el PC, de forma que el establecimiento de un puerto COM virtual se realiza automáticamente cada vez que el instrumento se conecte en el futuro al PC a través del puerto USB.

Otros puertos COM virtuales son creados para cada instrumento adicional conectado al PC vía USB. Cada instrumento es asignado un puerto COM virtual separado cuando se conecta por primera vez y el mismo puerto COM será asignado cada vez que el instrumento se conecta subsiguientemente. El software del PC utiliza el único código incrustado en el instrumento para enlazarlo al mismo puerto COM virtual pese a cuál puerto USB físico esté conectado.

También se podrá usar el comando ADDRESS? para identificar fácilmente cuál instrumento está siendo controlado mediante un puerto COM determinado. Aunque la capacidad de direccionamiento es ignorada en funcionamiento vía USB la dirección todavía podrá ser configurada y usada como un identificador; configure cada instrumento conectado vía USB a una dirección diferente y envíe el comando ADDRESS? desde cada puerto COM virtual para confirmar cuál instrumento está conectado a aquel puerto.

LAN Interface

La interfaz LAN está diseñada para satisfacer la versión LXI estándar 1.2 y contiene las interfaces y protocolos descritas abajo. Como es posible configurar erróneamente la interfaz LAN, imposibilitando la comunicación con el instrumento vía LAN, se incluye un mecanismo de inicialización de configuración LAN (LCI) mediante un conmutador embutido en el panel posterior para resetear la unidad a la predeterminada de fábrica. El ajuste predeterminado de fábrica es para que el instrumento intente obtener ajustes vía el DHCP si está disponible o, si el DHCP excede el tiempo asignado (30 segundos), vía Auto-IP. En el improbable caso de que no se pueda encontrar una dirección automáticamente, se asignará la IP estática 192.168.0.100. Al resetear la interfaz LAN se remueve la protección mediante contraseña.

Para más información sobre las normas LXI consulte www.lxistandard.org/home

Conexión LAN

Al usar la interfaz LAN, deberá conocerse la dirección IP de la unidad. Hay una herramienta de descubrimiento LXI en el CD-ROM suministrado que puede ser usada para visualizar las direcciones IP (y otra información relacionada) de todos los dispositivos conectados que están conformes con el protocolo de descubrimiento VXI-11. Esta herramienta es una aplicación Windows del PC que deberá ser instalada y ejecutada en el PC de control con la unidad ya sea conectada directamente al conector de la red del PC o bien vía un encaminador. La conexión vía un encaminador se recomienda porque es considerablemente más rápida para asignar una dirección IP; la conexión directa al PC comenzará a asignar una dirección IP solamente después de un tiempo de espera DHCP de 30 segundos. Haciendo doble clic en cualquier entrada en la lista de dispositivos descubierta se abrirá el hojeador Web del PC y visualizará la página de Inicio de aquel dispositivo.

Hay también incluidas herramientas para descubrimiento de LAN como parte del conjunto de National Instruments Measurement and Automation Explorer (Explorador de Automatización y Medición de Instrumentos Nacionales) y la aplicación Agilent Vee.

Cuando se pone en marcha por primera vez, la unidad intentará obtener ajustes vía DHCP si está disponible o, si el DHCP excede el tiempo asignado (30 segundos), vía Auto-IP. En el improbable caso de que no se pueda encontrar una dirección automáticamente, se asignará la IP estática 192.168.0.100. Si todavía no se ha efectuado una conexión el instrumento parpadeará **LAn Err** en la pantalla; vea detalles en la sección Error LAN.

Servidor Web; Protección de configuración por contraseña

La unidad contiene un servidor Web básico, el cual aporta información sobre el instrumento y permite su configuración. La página Configurar puede protegerse mediante contraseña para impedir cambios no autorizados en la configuración de funcionamiento remoto; la configuración por defecto es "sin contraseña".

En la propia página Configurar se explica cómo ajustar la contraseña. La contraseña puede comprender hasta 15 caracteres; tenga en cuenta que **Nombre de usuario debe dejarse en blanco**. No obstante, la contraseña se reseteará a la ajustada por defecto (sin contraseña) si se usa el interruptor LAN RESET del panel posterior para resetear todos los parámetros LAN a los ajustados en fábrica por defecto.

Las páginas Web también tienen una función de "Identify" que permite al usuario enviar un comando de identificación al instrumento lo cual hace parpadear su pantalla hasta que el comando es cancelado.

Servidor ICMP "Ping"

La unidad contiene un servidor ICMP que permite que el instrumento emita un "ping" (sonido agudo) vía ya sea su nombre anfitrión o bien su dirección IP.

Discovery Protocol (protocolo de descubrimiento) VXI-11

El instrumento tiene un soporte muy limitado de VXI-11 el cual es suficiente para el protocolo de descubrimiento pero para nada más.

El instrumento implementa un Sun RPC Port-mapper (creador de mapas de puerto) en TCP puerto 111 y UDP puerto 111 como se define en RPC1183. Las llamadas admitidas son: NULL (anular), GET PORT (obtener puerto) y DUMP (borrar).

En TCP puerto 1024, un protocolo VXI-11 sumamente simple es implementado sólo lo suficiente para el descubrimiento del instrumento. Esto implementa las llamadas siguientes: CREATE LINK, DEVICE_WRITE, DEVICE_READ y DESTROY_LINK (crear enlace, escribir_dispositivo, dispositivo_leer y destruir_enlace).

Una vez que se ha creado un enlace cualquier cosa escrita en el dispositivo es ignorada cualquier lectura del dispositivo devuelve la cadena de identificación como se podría esperar de una “*IDN?” en la forma de

“Fabricante, Modelo, Serie núm., X.xx – Y.yy”

por ejemplo

SORENSEN, XEL 120-0.75P,279730,1.00 – 1.00

donde “X.xx” es la revisión del soporte lógico inalterable principal e “Y.yy” es la revisión del soporte lógico inalterable de la interfaz. El soporte lógico inalterable de la interfaz puede ser actualizado en obra por el usuario vía el puerto USB.

Nombre de recurso VISA

Nombre de recurso VISA Debido a la limitada compatibilidad con el VX1-11 (solo Protocolo de Descubrimiento), al aparato se le debe referenciar por la información de su socket "en bruto" al ser usado con paquetes de software que se comunican por medio de un nombre de recurso VISA. Por ejemplo, un aparato ubicado en la dirección IP 192.168.1.100 normalmente tendría un nombre de recurso VISA del tipo "TCPIPO::192.168.1.100::inst0::INSTR", sin embargo para este aparato el nombre se debe modificar para que sea "TCPIP0::192.168.1.100::9221::socket", siendo 9221 el puerto TCP empleado por el aparato para su control y seguimiento. Ver abajo.

URL de documento de identificación XML

Tal y como requiere el estándar LXI, el instrumento aporta un documento de identificación XML que puede ser consultado vía un GET en “http://<hostname>:80/lxi/identification” que está conforme con LXI XSD Schema (disponible en <http://www.lxistandard.org/InstrumentIdentification/1.0>) y las normas W3C XML Schema (<http://www.w3.org/XML/Schema>). En este documento se describe el instrumento.

Sockets TCP

En el instrumento se usan 2 sockets en TCP puerto 9221 para control y vigilancia del instrumento. Comandos de texto son enviados a este puerto como se define el “Comandos remotos” y las respuestas son devueltas vía el mismo puerto. Cualquier cadena debe tener uno o más comandos completos. Los comandos pueden separarse ya sea mediante puntos y comas “;” o bien alimentaciones interlineales. No se requiere ningún terminador porque el bastidor TCP contiene comandos completos si bien los comandos pueden ser enviados con un terminador si se desea (que será ignorado). Cada comando vía TCP se comporta como si fuese terminado con un terminador de comando (carácter 0AH ASCII, alimentación interlineal).

Error LAN

Si se efectúa una conexión LAN pero se detecta un error (e.g. la dirección IP es la misma que la de otro dispositivo en la red), la pantalla del instrumento parpadeará alternando entre el voltaje normal y los valores de corriente y **LAN Err**, hasta que el error es corregido. Si se produce un error LAN; verifique y corrija la configuración del instrumento; se incluye un mecanismo de inicialización de configuración LAN (LCI) mediante un conmutador embutido en el panel posterior (marcado LAN RESET) para resetear la unidad a la predeterminada de fábrica. El ajuste predeterminado de fábrica es para que el instrumento intente obtener ajustes vía el DHCP si está disponible o, si el DHCP excede el tiempo asignado (30 segundos), vía Auto-IP. En el improbable caso de que no se pueda encontrar una dirección automáticamente, se asignará la IP estática 192.168.0.100.

La pantalla también parpadeará alternativamente entre los valores normales y **LAN Err** si no se detecta conexión LAN física en el momento de la energización, pero el parpadeo se detendrá después de transcurrir 10 segundos. Para desactivar este mensaje a cada energización envíe el comando “NOLANOK 1” a través de cualquier interfaz. Para reactivar el mensaje en el momento de la energización envíe el comando “NOLANOK 0” o use el interruptor LAN RESET del panel posterior empotrado para resetear todos los parámetros LAN a sus ajustes en fábrica por defecto; vea la introducción a la sección LAN.

Interfaz GPIB

El conector GPIB de 24 clavijas se encuentra en el panel trasero del instrumento. Las conexiones de las clavijas son tal y como se especifican en el estándar IEEE 488.1-1987. Además, el instrumento cumple con el estándar IEEE 488.1-1987 y el estándar IEEE 488.2-1987.

Subconjuntos GPIB

El instrumento contiene los siguientes subconjuntos IEEE 488.1:

Source Handshake	SH1
Acceptor Handshake	AH1
Talker	T6
Listener	L4
Service Request	SR1
Remote Local	RL2
Parallel Poll	PP1
Device Clear	DC1
Device Trigger	DT0
Controller	C0
Electrical Interface	E2

Query Error Register (Manejo de errores del estándar 488.2 – Registro de error de consulta)

El error UNTERMINATED del estándar IEEE 488.2 (direccionado a hablar sin nada que decir) se maneja del siguiente modo. Si el instrumento está direccionado a hablar y el formateador de respuesta está inactivo y la cola de entrada está vacía, entonces se genera el error UNTERMINATED. Esto hará que el bit del Query Error se configure en el Standard Event Status Register, que se coloque un valor de 3 en el Query Error Register y que el analizador sintáctico se vuelva a reinicializar. Ver el apartado Información de Estado para obtener más detalles.

El error INTERRUPTED del estándar IEEE 488.2 se maneja del siguiente modo. Si el formateador de respuesta está esperando para mandar un mensaje de respuesta y el analizador sintáctico ha leído un <PROGRAM MESSAGE TERMINATOR> o si la cola de entrada contiene más de un mensaje END, entonces el instrumento ha sido INTERRUPTED y se genera el error. Esto hará que el bit del Query Error se configure en Standard Event Status Register, que se coloque un valor de 1 en el Query Error Register y que el formateador de respuestas se reinicialice, limpiando de este modo la cola de salida. El analizador sintáctico empezará entonces a analizar el siguiente <PROGRAM MESSAGE UNIT> de la cola de entrada. Ver el apartado Información de Estado para obtener más detalles.

El error DEADLOCK del estándar IEEE 488.2 se maneja del siguiente modo. Si el formateador de respuesta está esperando para mandar un mensaje de respuesta y la cola de entrada se llena, entonces el instrumento entra en el estado DEADLOCK y se genera un error. Esto hará que el bit del Query Error se configure en Standard Event Status Register, que se coloque un valor de 2 en el Query Error Register y que el formateador de respuestas se reinicialice, limpiando así la cola de salida. El analizador sintáctico empezará entonces a analizar el siguiente <PROGRAM MESSAGE UNIT> de la cola de entrada. Ver el apartado Información de Estado para obtener más detalles.

GPIB Parallel Poll (Sondeo en paralelo GPIB)

En este instrumento se ofrecen opciones completas de sondeo en paralelo. El Parallel Poll Enable Register está configurado para que especifique qué bits del Status Byte Register se han de usar para formar el ist mensaje local. El Parallel Poll Enable Register está configurado por el comando *PRE <nrf> y es leído por el comando *PRE?. El valor del Parallel Poll Enable Register es añadido al Status Byte Register; si el resultado es cero, entonces el valor de ist es 0, de lo contrario el valor de ist es 1.

El instrumento también se ha de configurar de modo que el valor de *ist* se pueda devolver al controlador durante la realización de un sondeo. El instrumento es configurado por el controlador mandando un comando Parallel Poll Configure (PPC) seguido de un comando Parallel Poll Enable (PPE). Los bits en el comando PPE se muestran a continuación:

bit 7 =	X	Da igual
bit 6 =	1	Sondeo en paralelo activado
bit 5 =	1	
bit 4 =	0	
bit 3 =	Sentido	Sentido del bit de respuesta; 0 = bajo 1 = alto
bit 2 =	?	Posición del bit de respuesta
bit 1 =	?	
bit 0 =	?	

Ejemplo. Para devolver el bit RQS (bit 6 del Status Byte Register) como 1 cuando es verdadero y 0 cuando es falso en la posición bit 1 en respuesta a una operación de sondeo en paralelo, mande los siguientes comandos

*PRE 64<pmt>, y a continuación PPC seguido de 69H (PPE)

La respuesta del sondeo en paralelo desde el instrumento será entonces 00H si RQS es 0 y 01H si RQS es 1.

Durante la respuesta del sondeo en paralelo las líneas de la interfaz DIO terminarán respectivamente (terminación pasiva). Esto permite que varios dispositivos compartan la misma posición de bit de respuesta tanto en la configuración wired-AND o wired-OR, ver la norma IEEE 488.1 para más información.

Información de estado

Se mantiene un modelo de error y estado separado para cada interfaz ejemplo; una interfaz ejemplo se define como una conexión potencial. USB, RS232 y GPIB son conexiones inherentemente únicas de modo que representan una interfaz ejemplo cada una. LAN, no obstante, permite múltiples conexiones simultáneas y por consiguiente representa múltiples ejemplos de interfaz. Dos ejemplos de interfaz son asignados a las interfaces de socket TCP y una más es asignada a la interfaz de página Web. El tener un modelo separado para cada interfaz ejemplo asegura que los datos no se pierdan como muchos comandos, e.g. “*ESR?” borra el contenido en lectura.

El estado de error se mantiene usando un conjunto de registros, los cuales se describen en los párrafos siguientes y se muestran en modelo de estado al final de esta sección.

Standard Event Status Register (Registro de estado de eventos estándar) y Standard Event Status Enable Register (registro de activación de estado de eventos estándar)

Estos dos registros están implementados tal y como requiere la norma IEEE Std. 488.2. Todos los bits configurados en el Standard Event Status Register que correspondan a bits configurados en el Standard Event Status Enable Register harán que el bit ESB se configure en el Status Byte Register.

El Standard Event Status Register es leído y borrado por el comando *ESR?. El Standard Event Status Enable Register es configurado por el comando *ESE <nrf> y leído por el comando *ESE?.

Se trata de un campo de bits donde cada bit tiene el significado siguiente.

Bit 7: Power On (puesta en marcha). Se configura cuando se enciende por primera vez el instrumento.

Bit 6: User Request (solicitud de usuario) (No se usa).

-
- Bit 5: Command Error (error de comando). Se configura cuando se detecta un error de tipo sintáctico en un comando proveniente del bus. El analizador sintáctico se reconfigura y sigue analizando el byte siguiente de la cadena de entrada.
 - Bit 4: Execution Error (error de ejecución). Se configura cuando se detecta un error mientras se intenta ejecutar un comando completamente analizado. El número de error adecuado será informado en el Execution Error Register; vea la sección Error Messages (mensajes de error).
 - Bit 3: Verify Timeout Error (verificar error de tiempo de espera). Se configura cuando un parámetro es fijado con "verify" (verificar) especificado y el valor no se alcanza en 5 segundos, e.g. el voltaje de salida se ralentiza mediante un capacitor en la salida grande.
 - Bit 2: Query Error (error de consulta). Se activa cuando se produce una consulta. El número de error correspondiente se mostrará en el registro Query Error. Consulte la sección Registro Query Error.
 - Bit 1: No se usa.
 - Bit 0: Operartion Complete (operación completa): Se configura en respuesta al comando "*OPC".

Execution Error Register (Registro de errores de ejecución)

Este registro contiene un número que representa el último error detectado sobre la interfaz de corriente. Execution Error Register se lee y borra mediante el comando "EER?". A la puesta en marcha este registro se configura en 0 para todos los ejemplos de interfaz.

Los mensajes de error tienen los significados siguientes:

- 0: Error no detectado.
- 1-9: Error de hardware interno detectado.
- 100: Error de alcance. No se permite el valor numérico enviado. En esto se incluyen números demasiado grandes o pequeños para el parámetro que se está enviando y los no enteros que se están enviando cuando sólo se permiten enteros.
- 101: Se ha solicitado una recuperación de datos de configuración pero la memoria especificada contiene datos corruptos. Esto indica un fallo de hardware o bien una corrupción de datos temporal que puede corregirse introduciendo de nuevo los datos en la memoria.
- 102: Se ha solicitado una recuperación de datos de configuración pero la memoria especificada contiene datos algunos.
- 103: Se ha intentado leer o escribir un comando en la segunda salida cuando no está disponible. Normalmente esto ocurrirá si se intenta programar la segunda salida en instrumentos de canal único o en un instrumento de dos canales configurado para modo en paralelo.
- 104: Comando no válido con la salida activada. Este mensaje se suele producir al utilizar el comando 'IRANGE <n>' sin desactivar antes la salida.
- 200: Sólo lectura: Se ha intentado efectuar un cambio en los ajustes del instrumento desde una interfaz son privilegios de escritura; vea la sección Bloqueo de interfaz.

Limit Event Status Register (Registro de estado de eventos límite) y Limit Event Status Enable Register (registro de activación de estado de eventos límite)

Para fuentes de alimentación únicas hay un Limit Event Status Register; para fuentes de alimentación dobles (excepto si funcionan en modo paralelo) hay dos. Estos se leen y borran usando "LSR1?" y "LSR2?" respectivamente. A la puesta en marcha estos registros son configurados en 0 e inmediatamente configurados para mostrar el nuevo estado límite.

Todos los bits ajustados en un Limit Event Status Register que correspondan a los bits ajustados en el Limit Event Status Enable Register que se acompaña harán que se ajuste el bit LIM1 o LIM2 en el Status Byte Register.

- Bit 7: Reservado para uso futuro
- Bit 6: Se configura cuando se ha producido una desconexión que sólo puede ser reseteada desde el panel frontal o desconectando y conectando la energía AC.
- Bit 5: Reservado para uso futuro
- Bit 4: Reservado para uso futuro
- Bit 3: Se ajusta cuando existe una desconexión de sobrecorriente de salida
- Bit 2: Se ajusta cuando existe una desconexión de sobrevoltaje de salida
- Bit 1: Se configura cuando la salida entra en el límite de corriente (modo en CC)
- Bit 0: Se configura cuando la salida entra en el límite de voltaje (modo en CV)

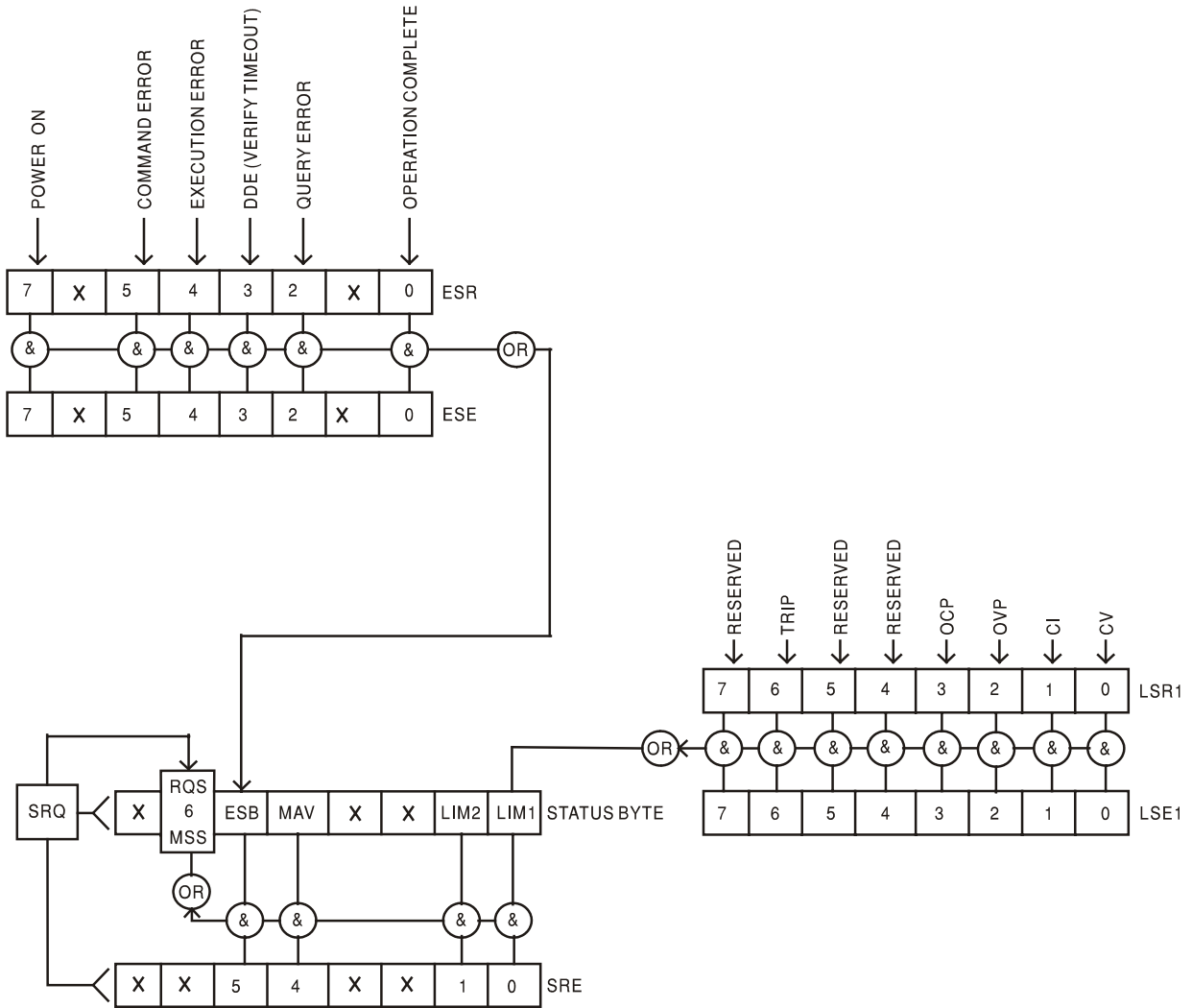
Status Byte Register (Registro de byte de estado) y Service Request Enable Register (Registro de activación de solicitud de servicio)

Estos dos registros están implementados tal y como requiere la norma IEEE Std. 488.2. Todos los bits configurados en el Status Byte Register que correspondan a bits configurados en el Service Request Enable Register harán que el bit RQS/MSS se configure en el Status Byte Register, generando así un Service Request en el bus.

El Status Byte Register es leído, bien por el comando *STB?, que devolverá un MSS en el bit 6, o por un Serial Poll que devolverá un RQS en el bit 6. El Service Request Enable Register es configurado por el comando *SRE <nrf> y leído por el comando *SRE?.

- Bit 7 - No se usa.
- Bit 6 - RQS/MSS. Este bit, tal como lo define el IEEE Std. 488.2, contiene el mensaje Requesting Service y el mensaje Master Status Summary. Se manda un RQS en respuesta a Serial Poll y un MSS en respuesta al comando *STB?.
- Bit 5 - ESB. El Event Status Bit. Este bit se configura si alguno de los bits configurados en el Standard Event Status Register corresponde a los bits configurados en el Standard Event Status Enable Register.
- Bit 4 - MAV. El Message Available Bit. Se configurará cuando el instrumento tenga un mensaje de respuesta formateado y listo para mandar al controlador. El bit se borrará después de que se haya mandado el Response Message Terminator.
- Bit 3 - No se usa.
- Bit 2 - No se usa.
- Bit 1 - LIM2. Se ajustará si está ajustado algún bit en Limit Event Status Register 2 y se ajustan los bits correspondientes en Limit Event Status Enable Register 2.
- Bit 0 - LIM1. Se ajustará si está ajustado algún bit en Limit Event Status Register 1 y se ajustan los bits correspondientes en Limit Event Status Enable Register 1.

Modelo de estado



Power-on and Remote Operation Default Settings (Ajustes de puesta en marcha y funcionamiento remoto predeterminados de fábrica)

Los siguientes valores de estado del instrumento se configuran al encenderse:

Status Byte Register	= 0
Service Request Enable Register †	= 0
Standard Event Status Register	= 128 (pon bit set)
Standard Event Status Enable Register †	= 0
Execution Error Register	= 0
Query Error Register	= 0
Parallel Poll Enable Register †	= 0

† Los registros marcados con este símbolo son específicos de la función GPIB del instrumento y son de uso limitado a través de otras interfaces.

El instrumento estará en estado local con los controles del panel frontal activos (siempre que los conmutadores del panel posterior CV y CC estén configurados en Local).

Los parámetros del instrumento a la puesta en marcha son los mismos que en la última desconexión exceptuando el estado de salida. Por predeterminación de fábrica siempre están desconectados a la puesta en marcha pero el usuario puede cambiar esto desde el panel frontal a los mismos de la puesta en marcha como en la desconexión; vea el párrafo Condiciones de conexión y puesta en marcha en la sección Funcionamiento manual.

El comando interfaz *RST (reseteado) resetea el instrumento a los ajustes de funcionamiento remoto predeterminados de fábrica.

Los ajustes de funcionamiento remoto predeterminados de fábrica son:

$V_{out}=1V$, $I_{out}=10mA$, $\Delta V=100mV$, $\Delta I=1mA$, Lock cancelled (bloqueo cancelado), V-Span cancelled (V-Span cancelado), Low Range cancelled (Low Range cancelado), Meter Average cancelled (Meter Average cancelado), OVP y OCP al 5% sobre los máximos del instrumento. Activa el mensaje **LAN Err** (10 segundos) para no se ha detectado conexión LAN en el momento de la energización. La contraseña de la página Configurar en el servidor de Web se resetea a sin contraseña.

Los ajustes de interfaz remota, ajustes almacenados, valores V_{min}/V_{max} y estado de salida a la puesta en marcha permanecen intactos con *RST.

Comandos Remotos

RS232/USB Formado de los comandos remotos

La entrada en serie al instrumento es almacenada en una memoria intermedia en una cola de entrada de 256 bytes, que se llena, bajo interrupción, de manera transparente para todas las demás operaciones del instrumento. El instrumento mandará un XOFF cuando en la cola haya aproximadamente 200 caracteres. Se mandará un XON cuando haya unos 100 espacios libres en la cola después del XOFF. Esta cola contiene datos sin procesar (sin analizar) que el analizador sintáctico toma cuando resulta necesario. Los comandos y consultas se ejecutan por orden, y el analizador no empieza con un nuevo comando hasta que se ha completado cualquier comando o consulta anterior. Las respuestas RS232 a los comandos o consultas se mandan inmediatamente; no hay cola de salida.

La entrada de USB está conforme con USB 2.0 de Full Speed (máxima velocidad).

Los comandos se deben enviar tal como se indica en la lista de comandos, y deben terminar con el código de fin de comando 0AH (salto de línea, LF). Es posible enviar grupos de comandos; estos se separan entre sí mediante el código 3BH (;). El grupo debe terminar con el código de fin de comando 0AH (salto de línea, LF).

Las respuestas del instrumento al controlador se envían tal como se indica en la lista de comandos. Cada respuesta termina con <RESPONSE MESSAGE TERMINATOR> (terminador de mensaje de respuesta) a saber un 0DH (Retorno del carro, CR) seguido de 0AH (alimentación de líneas, LF).

<WHITE SPACE> (espacio en blanco) se define como los códigos de carácter de 00H a 20H inclusive.

<WHITE SPACE> se pasa por alto siempre, excepto en los identificadores de comando; por ejemplo, «*C LS» no es equivalente a «*CLS».

El bit superior de los caracteres se pasa por alto.

Los comandos no distinguen entre mayúsculas y minúsculas.

Formato de los Comandos Remotos GPIB

La entrada GPIB al instrumento es almacenada en una memoria intermedia en una cola de entrada de 256 bytes, que se llena, bajo interrupción, de manera transparente para todas las demás operaciones del instrumento. Esta cola contiene datos sin procesar (sin analizar) que el analizador sintáctico toma cuando resulta necesario. Los comandos (y consultas) se ejecutan en orden y el analizador sintáctico no iniciará un nuevo comando hasta que se haya completado el comando o la consulta previa. No hay cola de salida, lo que significa que el formateador de respuestas esperará, indefinidamente si es necesario, hasta que el instrumento sea direccionado a hablar y se haya mandado el mensaje de respuesta completo, antes de que al analizador sintáctico se le permita iniciar el siguiente comando en la cola de entrada.

Los comandos se mandan como <PROGRAM MESSAGES> por el controlador, cada mensaje consiste en cero o más elementos de <PROGRAM MESSAGE UNIT> separados por elementos de <PROGRAM MESSAGE UNIT SEPARATOR>.

Un <PROGRAM MESSAGE UNIT> es cualquiera de los comandos en la lista de comandos remotos.

Un <PROGRAM MESSAGE UNIT SEPARATOR> es el punto y coma ';' (3BH).

Los <PROGRAM MESSAGES> están separados por elementos de <PROGRAM MESSAGE TERMINATOR>, los cuales pueden ser cualquiera de los siguientes:

NL	El carácter new line (0AH)
NL^END	El carácter new line con el mensaje END
^END	El mensaje END con el último carácter del mensaje

Las respuestas del instrumento al controlador se mandan como <RESPONSE MESSAGES>. Un <RESPONSE MESSAGE> consiste en una <RESPONSE MESSAGE UNIT> seguida de un <RESPONSE MESSAGE TERMINATOR>.

Un <RESPONSE MESSAGE TERMINATOR> es el carácter new line con el mensaje END NL^END.

Cada consulta genera un <RESPONSE MESSAGE> específico que aparece junto con el comando en la lista de comandos remotos.

De <WHITE SPACE> se hace caso omiso, excepto en los identificadores de comando. Por ejemplo, '*C LS' no equivale a '*CLS'. <WHITE SPACE> se define como los códigos de carácter de 00H a 20H inclusive, con la excepción del carácter NL (0AH).

Se hace caso omiso del bit alto de todos los caracteres.

Los comandos da igual que se escriban en mayúscula que en minúscula.

Lista de Comandos

Esta sección enumera todos los comandos y consultas incorporados en esta familia de instrumentos. Para mantener la compatibilidad de los comandos con la familia XEL y con otras fuentes de alimentación programables, los comandos específicos de salida siempre requerirán indicar el número de salida, incluso para los aparatos que dispongan de una sola salida, p.ej. V1 120 para configurar la salida a 120 voltios. Los pocos comandos aplicables a instrumentos de salida dual de la familia XEL se citan con fines informativos, pero este aparato los ignorará.

Fíjese que no hay parámetros dependientes, parámetros asociados, comandos solapados, elementos de datos de expresión del programa ni comandos compuestos de encabezamiento de programa; cada comando se ejecuta por completo antes de iniciarse el siguiente. Todos los comandos son secuenciales y, en todos los casos, el mensaje de operación terminada se genera inmediatamente tras la ejecución.

Se utiliza la siguiente nomenclatura:

- <rm> <RESPONSE MESSAGE TERMINATOR>
- <nrf> Un número en cualquier formato, p. ej. 12, 12·00, 1·2 e1 y 120 e-1 se aceptan todos como el número 12. Cuando se recibe, el número se convierte a la precisión requerida de acuerdo con su uso y después se redondea para obtener el valor del comando.
Un número en cualquier formato, p. ej. 12; 12,00; 1,2 e1 y 120 e-1 se aceptan todos como el número 12. Cuando se reciben, todos los números se convierten a la precisión requerida de acuerdo con su uso y después se redondean para obtener el valor del comando.
- <nr1> Un número sin partes fraccionarias, es decir, un número entero.
- <nr2> Un número en formato de coma fija ej.: 11,52; 0,78 etc.
- <n> El número de la salida (1 ó 2) o registro de estado asociado al cual está relacionado el comando. En fuentes de salida dual, '1' es el maestro (salida de la derecha) y '2' es el esclavo (salida de la izquierda). En las fuentes de una salida, <n> siempre será 1.

Los comandos que comienzan con * han sido incorporados como comandos comunes, tal y como especifica el estándar IEEE 488.2. Todos ellos funcionarán con las otras interfaces, pero puede que algunos resulten de escasa utilidad.

Comandos específicos del instrumento

Para los comandos especificados como "WITH VERIFY" ("CON VERIFICACIÓN") la operación se completa cuando el parámetro a ajustar alcanza el valor requerido dentro de $\pm 5\%$ o 10 cuentas, según cual sea mayor. Si el valor no consigue mantenerse estable dentro de estos límites durante 5 segundos, entonces el bit de Verify Timeout (bit 3) se activa en Registro de Estado de Eventos Estándar y la operación finaliza al final del tiempo del periodo.

El bit de Operación Finalizada "Operation Complete bit" (bit 0) en el Registro de Estado de Eventos Estándar se pone solamente por el Comando *OPC. El comando *OPC (o el *OPC?) puede utilizarse para la sincronización de dispositivos dada la naturaleza secuencial de las operaciones remotas.

V<n> <nrf>	ajusta la salida <n> a <nrf> Voltios
V<n>V <nrf>	ajusta la salida <n> a <nrf> Voltios con verificación
OVP<n> <nrf>	ajusta el punto de desconexión de protección de sobrevoltaje de la salida a <nrf> Voltios
I<n> <nrf>	ajusta el límite de corriente <n> a <nrf> Amperios
OCP<n> <nrf>	ajusta el punto de desconexión de protección de sobrecorriente de la salida a <nrf> Amperios
V<n>?	devuelve el voltaje ajustado de la salida <n> – la respuesta es V <n> <nr2><rmt> donde <nr2> está en voltios.
I<n>?	devuelve el límite de corriente ajustado de la salida <n> – la respuesta es I <n> <nr2><rmt> donde <nr2> está en amperios
OVP<n>?	devuelve el ajuste de desconexión de voltaje de la salida <n> – la respuesta es VP<n> <nr2><rmt> donde <nr2> está en voltios
OCP<n>?	devuelve el ajuste de desconexión de corriente de la salida <n> – la respuesta es IP<n> <nr2><rmt> donde <nr2> está en amperios
V<n>O?	devuelve el voltaje de relectura de salida de la salida <n> – la respuesta es <nr2>V<rmt> donde <nr2> está en voltios
I<n>O?	devuelve la corriente de relectura de salida de la salida <n> – la respuesta es <nr2>A<rmt> donde <nr2> está en Amperios
IRANGE<n> <nrf>	Configura la gama de corriente de salida de <n> a <nrf>, donde <nrf> es 1 para gama baja, 2 para gama alta. Antes de realizar el cambio se debe desactivar la salida.
IRANGE<n>?	Informa la gama de corriente para la salida <n>. La respuesta es <nr1><rmt>, donde <nr1> es 1 para gama baja, 2 para gama alta.
DELTA V<n> <nrf>	ajusta el intervalo del voltaje de salida a <nrf> voltios
DELTA I<n> <nrf>	ajusta el intervalo de la corriente de salida a <nrf> Amperios
DELTA V<n>?	devuelve el intervalo del voltaje de salida <n> – la respuesta es DELTA V<n> <nr2><rmt> donde <nr2> está en voltios.
DELTA I<n>?	devuelve el intervalo de la corriente de salida <n> – la respuesta es DELTA I<n> <nr2><rmt> donde <nr2> está en Amperios.
INCV<n>	aumenta el voltaje de salida <n> por el intervalo ajustado para la salida <n>
INCV<n>V	aumenta con confirmación el voltaje de salida <n> por el intervalo ajustado para la salida <n>
DECV<n>	disminuye el voltaje de salida <n> por el intervalo ajustado para la salida <n>
DECV<n>V	disminuye con confirmación el voltaje de salida <n> por el intervalo ajustado para la salida <n>
INCI<n>	aumenta el límite de corriente de salida <n> por el intervalo ajustado para la salida <n>

DECI<n>	disminuye el límite de corriente de salida <n> por el intervalo ajustado para la salida <n>
OP<n> <nrf>	activa/desactiva la salida <n> donde <nrf> tiene el siguiente significado: 0=DESACTIVADA, 1=ACTIVADA ajusta <n> en 3 para controlar la salida auxiliar
OPALL <nrf>	Activa/Desactiva simultáneamente todas las salidas, y <nrf> tiene el siguiente significado: 0=Todas DESACTIVADAS, 1=TODAS ACTIVADAS. El resultado en este instrumento es el mismo que con OP<n> <nrf>. Si OPALL ACTIVA todas las salidas en ON, los productos ya establecidos para permanecer en la ON. Si OPALL DESACTIVA todas las salidas, entonces todas las que ya estaban desactivadas seguirán así.
OP<n>?	Devuelve la salida al <n> estado encendido / apagado. La respuesta es <nr1><rmt> donde 1 = ON, 0 = OFF.
TRIPRST	intenta borrar todas las condiciones de desconexión de todas las salidas
LOCAL	Va a local. Esto no desactiva ningún bloqueo de interfaz activo, de modo que el bloqueo permanece con la interfaz seleccionada cuando se recibe el comando remoto siguiente.
IFLOCK	Solicita bloqueo de interfaz. Este comando solicita acceso del control exclusivo del instrumento. la respuesta es 1 si tiene éxito o -1 si el bloqueo no está disponible sea porque ya está siendo usado o bien porque el usuario ha desactivado esta interfaz de asumir control desde la interfaz Web.
IFLOCK?	Indaga el estado del bloqueo de interfaz. El valor de retorno es 1 si el bloqueo pertenece a la interfaz ejemplo solicitante; 0 si no hay bloqueo activo o -1 si el bloqueo no está disponible sea porque ya está siendo usado o bien porque el usuario ha desactivado esta interfaz de asumir control desde la interfaz Web.
IFUNLOCK	Desactiva el bloqueo si es posible. Este comando devuelve el valor 0 si tiene éxito. Si este comando no tiene éxito – el retorno es 1, 200 es emplazado en el Execution Register y se configura el bit 4 en el Event Status Register para indicar que no hay autoridad para desactivar el bloqueo.
LSR<n>?	interroga y borra LSR<n>, limit status register <n> – la respuesta es <nr1><rmt>. Vea detalles en la sección Informe de estado.
LSE<n> <nrf>	ajusta el valor de LSE<n>, limit status enable register <n>, en <nrf>
LSE<n>?	devuelve el valor de LSE<n>, limit status enable register <n> – la respuesta es <nr1><rmt>
RCL<n> <nrf>	devuelve una configuración para PSU <n> del almacén de configuración especificado por <nrf> donde <nrf> puede ser 0-9. Si el instrumento funciona en el modo con enlace, entonces toda la configuración del instrumento se recuperará del almacén de configuración del modo con enlace especificado por <nrf>. La especificación <n> se ignora.
RATIO <nrf>	Configura la relación de la salida 2 (esclava) a la salida 1 (maestra) en modo de seguimiento a <nrf>, donde <nrf> es la relación en porcentaje (0 a 100). No tiene efecto alguno en este instrumento.
RATIO?	Indaga la relación de la salida 2 (esclava) a la salida 1 (maestra) en modo de seguimiento. La respuesta es <nrf>, donde <nrf> es la relación en porcentaje (0 a 100). No tiene efecto alguno en este instrumento.

Comandos de sistema y estado

*CLS	Clear Status. Borra la estructura del estado. Lo que de manera indirecta borra el Status Byte Register.
EER?	Consulta y borra el Execution Error Register. El formato de respuesta es nr1<rmt>.
*ESE <nrf>	Configura el Standard Event Status Enable Register al valor de <nrf>
*ESE?	Devuelve el valor del Standard Event Status Enable Register en formato numérico <nr1>. La sintaxis de la respuesta es <nr1><rmt>
*ESR?	Devuelve el valor del Standard Event Status Register en formato numérico <nr1>. Después el registro se borra. La respuesta es <nr1><rmt>. Vea detalles en la sección Información de estado.
*IST?	Devuelve el mensaje ist según viene definido por la norma IEEE Std. 488.2. La sintaxis de la respuesta es 0<rmt>, si el mensaje local es falso, o 1<rmt>, si el mensaje local es verdadero.
*OPC	Configura el bit de Operation Complete (bit 0) en el Standard Event Status Register. Esto sucederá nada más se ejecute el comando dada la naturaleza secuencial de todas las operaciones.
*OPC?	Consulta el estado de Operation Complete. La sintaxis de la respuesta es 1<rmt>. La respuesta estará disponible nada más se ejecute el comando dada la naturaleza secuencial de todas las operaciones.
*PRE<nrf>	Configura el Parallel Poll Enable Register al valor <nrf>.
*PRE?	Devuelve el valor del Parallel Poll Enable Register en el formato numérico <nr1>. La sintaxis de la respuesta es <nr1><rmt>
QER?	Consulta y borra el Query Error Register. El formato de respuesta es 1<rmt>.
*RST	Reinicia el instrumento a los valores por defecto de control remoto a excepción de la configuración de las interfaces remotas, preferencias almacenadas, valores Vmin/Vmax y configuración del estado de salida al encender (consulte el párrafo sobre valores por defecto para funcionamiento remoto en la sección Funcionamiento remoto vía interfaz).
*SRE <nrf>	Configura el Service Request Enable Register a <nrf>.
*SRE?	Devuelve el valor del Service Request Enable Register en el formato numérico <nr1>. La sintaxis de la respuesta es <nr1><rmt>
*STB?	Devuelve el valor del Status Byte Register en formato numérico <nr1>. La sintaxis de la respuesta es <nr1><rmt>
*WAI	Espera a que Operation Complete sea verdadera. Cuando todos los comandos se ejecutan totalmente antes de que se inicie el siguiente, este comando no precisa de acción adicional.

Comandos Varios

*IDN?	Devuelve la identificación del instrumento. La respuesta exacta se determina por la configuración del instrumento y tiene la forma <NAME>,<model>, Serie núm., <version><rmt> en donde <NAME> es el nombre del fabricante, <model> el tipo de instrumento, Serie núm. es el número de serie único y <version> el grado de revisión del software instalado. El formato de <versión> es X.xx – Y.yy donde X.xx es la revisión del soporte lógico inalterable del instrumento principal e Y.yy es la revisión del soporte lógico inalterable de la placa de la interfaz. El soporte lógico inalterable de la interfaz puede ser actualizado en campo por el usuario vía el puerto USB.
-------	---

ADDRESS?	Devuelve la dirección de bus del instrumento. La sintaxis de la respuesta es <nr1><rmt>. Esta es la dirección usada por GPIB, si se incluye instalada, o puede ser usada como un identificador general sobre las otras interfaces.
CONFIG?	Informa el modo de funcionamiento configurado mediante el conmutador MODE del panel frontal. La sintaxis de la respuesta es <nr1><rmt>, donde <nr1> es 1 para unidades de canal único y unidades de canales dobles funcionando en modo paralelo, 2 para unidades dobles con ambos canales funcionando independientemente y 0 para unidades dobles funcionando en modo de seguimiento.
DAMPING<n> <nrf>	Configura el promediado de la medición del contador de corriente (I_{AVG}) de salida <n> donde <nrf> tiene el significado siguiente: 0 = OFF, 1 = ON.
NOLANOK <nrf>	Desactiva el mensaje LAn Err para no se ha detectado conexión LAN en el momento de la energización si <nrf> es 1 y activa el mensaje si <nrf> es 0.
*TST?	La fuente de alimentación no tiene capacidad de autocomprobación, y la respuesta es siempre 0 <rmt>
*TRG	La fuente de alimentación no tiene capacidad de activación. El comando es aceptado pero no ejecuta ninguna acción.

Mensajes de error

Cada mensaje de error tiene un número; únicamente este número es notificado a través de las interfaces de control remoto. Los números de los mensajes de error no se muestran, sino que se ubican en el Execution Error Register, donde se pueden leer a través de las interfaces remotas. Véase la sección de Notificación de estado.

Mantenimiento

Los fabricantes o sus agentes en el extranjero ofrecen un servicio de reparación para toda unidad que desarrolle un defecto. Si los propietarios desearan establecer su propio servicio, esto sólo debe realizarse por personas cualificadas en conjunto con el manual de servicio que puede adquirirse directamente del Fabricante o de sus agentes en el extranjero.

Limpieza

Si la unidad de suministro de fuerza necesita ser limpiada, utilizar un paño brevemente humedecido en agua o en un detergente suave. La ventana de visualización debe lustrarse con un paño suave y seco.

ADVERTENCIA! PARA EVITAR CHOQUES ELECTRICOS O DAÑAR A LA UNIDAD DE SUMINISTRO DE FUERZA, NUNCA DEJE ENTRAR AGUA AL ENVASE. PARA EVITAR QUE EL ENVASE O LA VENTANA DE VISUALIZACION SEAN DAÑADOS, NUNCA LIMPIE CON SOLVENTES.

Warranty Information

Product Family: XEL & XEL-P (GP) Series Precision Linear DC Power Supplies

Warranty Period: Three Years

WARRANTY TERMS

AMETEK Programmable Power, Inc. (“AMETEK”), provides this written warranty covering the Product stated above, and if the Buyer discovers and notifies AMETEK in writing of any defect in material or workmanship within the applicable warranty period stated above, then AMETEK may, at its option: repair or replace the Product; or issue a credit note for the defective Product; or provide the Buyer with replacement parts for the Product.

The Buyer will, at its expense, return the defective Product or parts thereof to AMETEK in accordance with the return procedure specified below. AMETEK will, at its expense, deliver the repaired or replaced Product or parts to the Buyer. Any warranty of AMETEK will not apply if the Buyer is in default under the Purchase Order Agreement or where the Product or any part thereof:

- is damaged by misuse, accident, negligence or failure to maintain the same as specified or required by AMETEK;
- is damaged by modifications, alterations or attachments thereto which are not authorized by AMETEK;
- is installed or operated contrary to the instructions of AMETEK;
- is opened, modified or disassembled in any way without AMETEK’s consent; or
- is used in combination with items, articles or materials not authorized by AMETEK.

The Buyer may not assert any claim that the Products are not in conformity with any warranty until the Buyer has made all payments to AMETEK provided for in the Purchase Order Agreement.

PRODUCT RETURN PROCEDURE

Request a Return Material Authorization (RMA) number from the repair facility (**must be done in the country in which it was purchased**):

- **In the USA**, contact the AMETEK Repair Department prior to the return of the product to AMETEK for repair:

Telephone: 800-733-5427, ext. 2295 or ext. 2463 (toll free North America)
858-450-0085, ext. 2295 or ext. 2463 (direct)

- **Outside the United States**, contact the nearest Authorized Service Center (ASC). A full listing can be found either through your local distributor or our website, www.programmablepower.com, by clicking Support and going to the Service Centers tab.

When requesting an RMA, have the following information ready:

- Model number
- Serial number
- Description of the problem

NOTE: Unauthorized returns will not be accepted and will be returned at the shipper’s expense.

NOTE: A returned product found upon inspection by AMETEK, to be in specification is subject to an evaluation fee and applicable freight charges.

AMETEK Programmable Power, Inc.

**9250 Brown Deer Road
San Diego, CA, 92121
USA**

**Phone:
858 450 0085 (local/direct)
800 733-5427 (toll free North America)
Fax: 858 458 0267**

sales@programmablepower.com
service@programmablepower.com
www.programmablepower.com