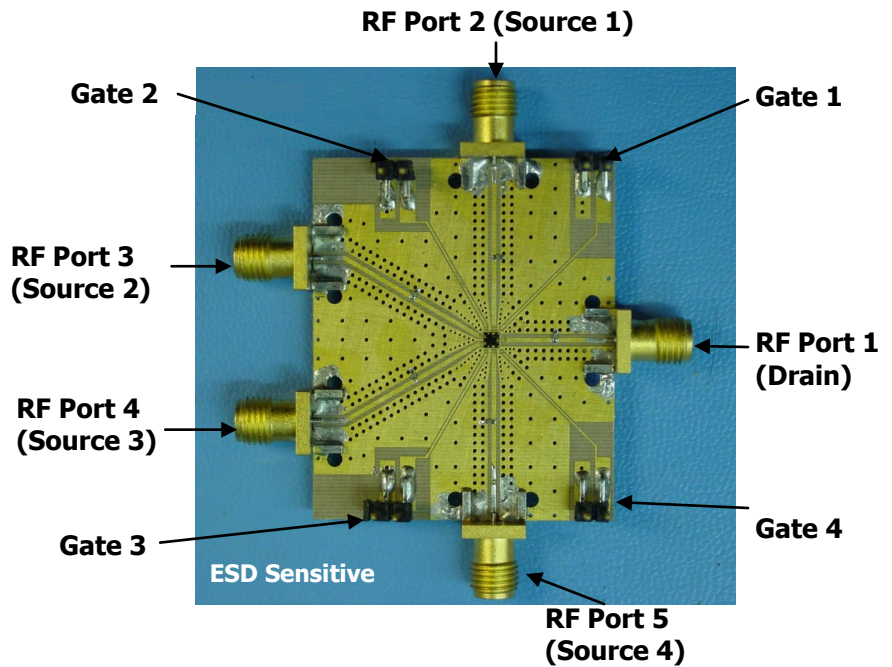


### General Description

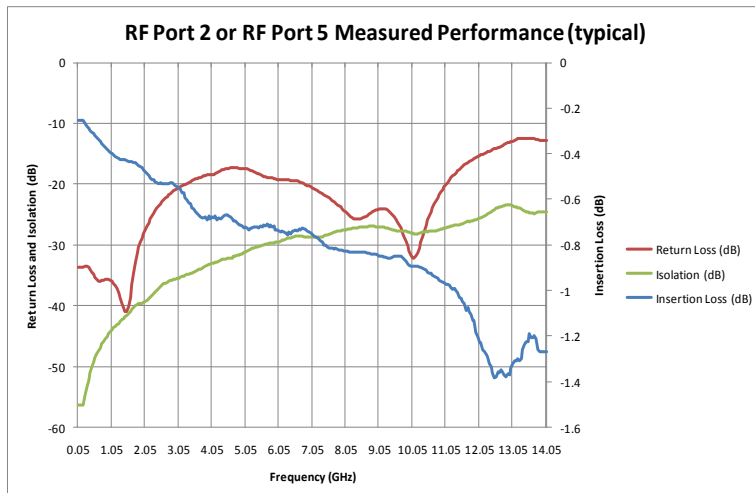
The evaluation test board has one RMSW240 SP4T RF switch connected to five SMA RF connectors. The board will require an external supply to provide the gate actuation voltages. Each drain and source connection is triple-bonded to minimize insertion loss and grounded through a 40 kΩ resistor to ensure proper switching and to prevent static damage.

This evaluation board operates at a reduced frequency range in comparison to the native device due to design and material limitations of the evaluation board.



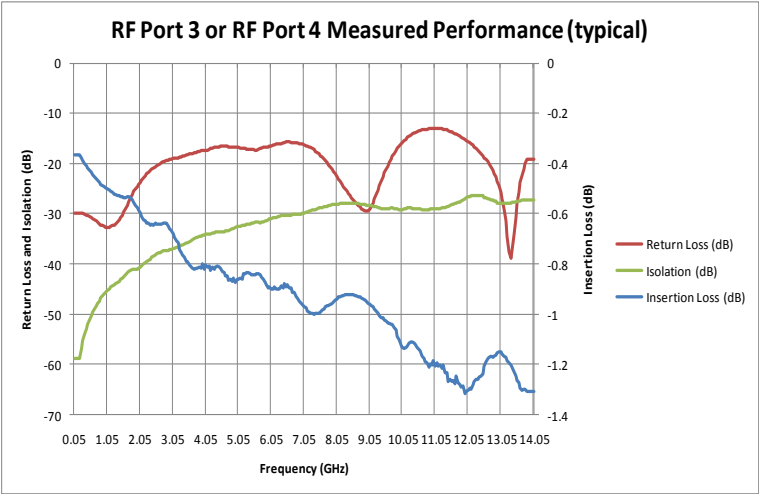
### Connections for RF Testing

Gate 1	Gate 2	Gate 3	Gate 4	RF Port 2	RF Port 3	RF Port 4	RF Port 5
+/-90 V	0 V	0 V	0 V	ON	OFF	OFF	OFF
0 V	+/-90V	0 V	0 V	OFF	ON	OFF	OFF
0 V	0 V	+/-90V	0 V	OFF	OFF	ON	OFF
0 V	0 V	0 V	+/-90V	OFF	OFF	OFF	ON



Frequency	Return Loss (dB)	Isolation (dB)	Insertion Loss (dB)
50 MHz	-33.7	56.3	0.3
2 GHz	-28.2	39.5	0.5
4 GHz	-18.4	33.2	0.7
6 GHz	-19.2	29.5	0.7
8 GHz	-24.4	27.5	0.8
10 GHz	-31.7	28.0	0.9
12 GHz	-15.3	25.8	1.2
14 GHz	-12.8	24.5	1.3

# RMSW240-EV12 Evaluation Test Board



Frequency	Return Loss (dB)	Isolation (dB)	Insertion Loss (dB)
50 MHz	-29.9	58.9	0.4
2 GHz	-24.1	40.9	0.6
4 GHz	-17.4	34.3	0.8
6 GHz	-16.6	31.1	0.9
8 GHz	-22.1	28.1	0.9
10 GHz	-16.2	29.2	1.1
12 GHz	-15.4	26.9	1.3
14 GHz	-19.1	27.3	1.3

- Phone: 978-562-3866
- Fax: 978-562-6277
- Email: sales@radantmems.com
- Visit [www.radantmems.com](http://www.radantmems.com)

RADANT MEMS INC.