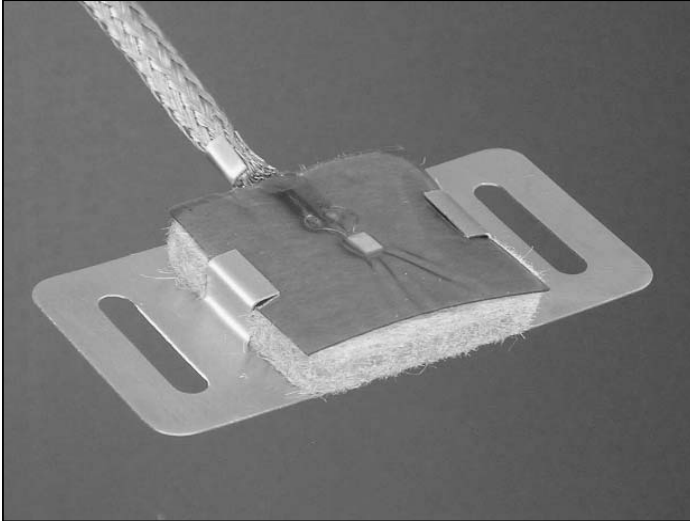




WIDE RANGE PLATINUM STRAPON® RTD SENSORS PN 22525, 22526



- **Platinum surface temperature sensor**
- **Wide Temperature Range**
-200°C to 260°C
- **Non-penetrating**
- **Low-cost installation**
- **Sensor sealed for condensing or wet environments**
- **Adhesive-less mounting**
- **High-performance bonded fiber insulation over sensor**
- **Mount by bolt (22525) or strap (22526)**

Performance Specifications

Operating Temperature Range

-200°C to +232°C (-320°F to +450°F) -1 Sensor Continuous as mounted (300°C short term)

-200°C to +260°C (-320°F to +500°F) -2 Sensor Continuous as mounted (300°C short term)

Sensing Element

International grade thin film platinum
 $\alpha = 0.00385 \Omega/\Omega/^\circ\text{C}$ nominal (IEC751)

Ice Point Resistance

100 \pm 0.12 Ω , (\pm 0.3°C) @ 0°C

1000 \pm 1.2 Ω , (\pm 0.3°C) @ 0°C

Interchangeability

\pm (0.3°C + 0.005|t|°C), IEC 751 Class B
Above -50°C

Time Response

<300 milliseconds lag on metal surfaces

Stability

Better than 0.05°C (0.02% of resistance)
per 5 years, -50°C to 200°C

Self-Heating

The bare sensor will rise less than 1°C
while dissipating power of 15mW
(ASTM-E-644)

Insulation Resistance

The insulation resistance between outer sensor insulation clamped between two metal plates and the common lead wire is 50 megohms minimum with 50 VDC applied to a dry sensor at room temperature
(ASTM-E-644)

Mounting

Will conform to 2 inch minimum diameter
(see ordering data)

Body Material

Stainless steel and flexible bonded fiber insulation

Lead Wire

-1 Sensors

#22 AWG tin-plated, (2-wire) FEP Teflon® over each twisted black/red, FEP overall

#24 AWG tin-plated, (3-wire) FEP Teflon® over each twisted white/2 red, FEP overall

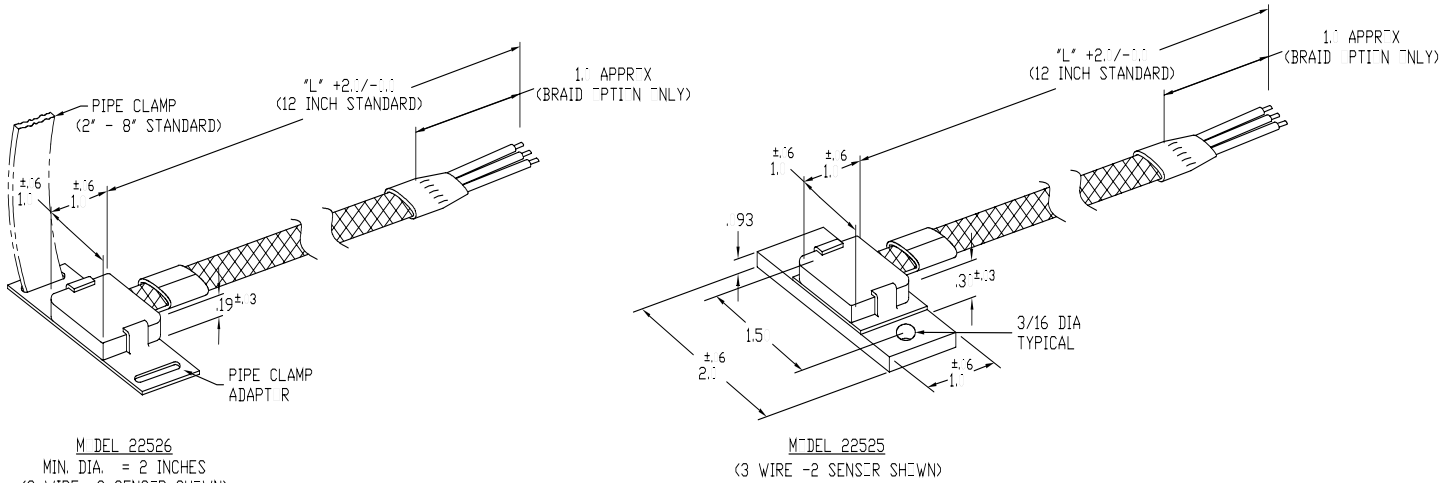
-2 Sensors

#26 AWG stranded nickel-plated copper conductors, PFA Teflon® insulated 2 (2 white), 3 (2 white/brown), or 4 (2 white/2 red) conductor ribbon cable,

Specialists in Temperature Measurement



Dimensional Drawing



Ordering Specifications

22525	Strapon® for bolt down with 3/16, #8 or 4.5 mm
22526	Strapon® for curved surface >2" minimum diameter with pipe clamp (see ordering data)
SENSOR TYPE 1 (-200°C to 232°C) PARALLEL RIBBON CABLE 2 (-200°C to 260°C) TWISTED LEADS WITH OVERJACKET	
RESISTANCE SPECIFICATION @ 0°C T01 100Ω ± 0.12Ω @0°C (α = 0.00385Ω/Ω/°C) T10 1000Ω ± 1.2Ω @0°C (α = 0.00385Ω/Ω/°C)	
NUMBER OF LEADS A 2 Wire B 3 Wire C 4 Wire (-2 Sensors only)	
LEAD LENGTH IN INCHES (12" STANDARD) (ADD "X" SUFFIX FOR SST BRAID OPTION)	
PIPE CLAMP - 22526 ONLY 1 Pipe diameter 2" to 8" (standard) 2 Pipe diameter 8" to 10" 3 Pipe diameter 10" to 16" 4 Pipe diameter 16" to 24" 5 Pipe diameter 24" to 36"	

22526 - 2 - T01 - B - 12X - 1 - Typical write-up for 22526-2



RdF Corporation • 23 Elm Avenue, Hudson, NH 03051-0490
 800.445.8367 / 603.882.5195 • fax 603.882.6925 • sensor@rdffcorp.com
 www.rdffcorp.com

