



CAPACITIVE SENSORS 95 SERIES

INDUSTRIAL AUTOMATION IN THE AGRICULTURE AND FEED INDUSTRY

RECHNER
SENSORS



Registration No.: 1327-01



For all transactions, the latest version of the „General Conditions of Sale and Delivery for Products and Services of the Electrical Industry ZVEI“ shall apply, along with the supplementary conditions „extended reservation of proprietary rights“, together with the supplements listed on our order confirmations and / or invoices.

All specifications are subject to change without notice. Reprint, even in part, only with our consent.
© RECHNER Germany 12/2016 GB - Printed in EU, all rights reserved.

Edition December 2016

With publication of this catalogue all former printed catalogues about RECHNER 95 series capacitive sensors are invalid.

TABLE OF CONTENTS

TABLE OF CONTENTS	3
GENERAL INFORMATION	4 - 5
APPLICATIONS	6
CAPACITIVE SENSORS WITH HOUSING MATERIAL PBT	7 - 13
CAPACITIVE SENSORS WITH HOUSING MATERIAL POM	14 - 19
CAPACITIVE SENSORS WITH HOUSING MATERIAL PTFE / BRASS with manufacturer declaration for use in zone 22 ATEX	21 - 27
ACCESSORIES	29 - 31

CAPACITIVE LEVEL SENSORS 95 Series

For many years, in the field of industrial automation, capacitive proximity sensors (our abbreviation KAS) have been well accepted as indispensable elements for the level control of most different products. This is true whether the products are liquids, pastes, powder, seeds, grain or granulates. The sensors are available in a wide range of variants.

This brochure presents one of our high lights, the capacitive sensors of the:

95 Series

- **Supply voltage 20 - 250 V AC / DC**
- **Relay output, optional time relay
(1 sec. - 10 min. adjustable)**
- **Optional on-delay or off-delay switchable**
- **Low power consumption, 2 mA only**
- **Intelligent micro controller technology**

The 95 series capacitive sensors are favoured in the agriculture industry as a universally applicable device. The reasons, apart from the quality and reliability, are the wide supply voltage range of 20...250 V AC / DC (alternating current and direct current), the easy mounting and installation and the potential-free relay output. The sensors can be connected to PLC's or directly by the consumer for control purposes to a max. 2 A.

The components of the KAS are mounted in plastic or Plastic/metal casings and encapsulated with epoxy casting resin. Therefore all devices are insensitive to dirt, vibration (vibration stability: 30 g, 100...2000 Hz, 1 hour) and are watertight (depending on the type, up to IP 68).

The materials used for the housings are:

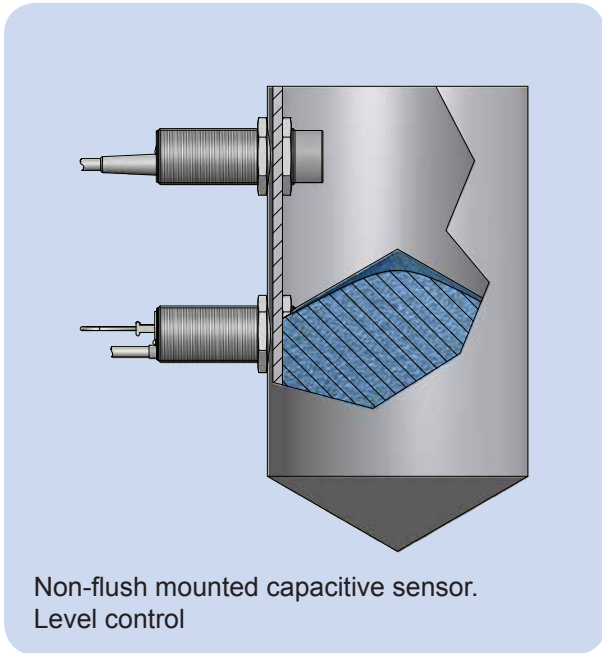
- POM (polyoxymethylene)
- PA (polyamide) 6.6. glass-fibre reinforced
- PC (polycarbonate)
- PPO (polyphenylenoxide)
- PTFE (polytetrafluor ethylene), FDA 21 CFR 177.1550
- Brass / chrome or nickel-plated

For the housing materials used please see the respective technical specifications of the model.

All sensors shown in this brochure are for non-flush mounting. This means they are designed for applications where the active area of the sensor is in contact with the material to be detected.

With this kind of level control the sensor head (active area) is completely immersed into the powder, granulate or liquid.

With consideration of the (lateral) active area the sensor also can be used for flush mountable applications, for instance for level control through a non-metal container or through a sight window or tube. (wall thickness max. 4 mm).



Non-flush mounted capacitive sensor.
Level control



Holder for tube mounting; 30 mm diameter

95 Series - ATEX and IECEx

These sensors are also available with manufacturer certificate for use in ATEX zone 22

Certified ATEX versions for use in ATEX Zone 20 are in preparation.



For further information about capacitive sensors please look at our main catalogue or our web site:

www.rechner-sensors.com

APPLICATIONS

The application areas are the same as for classic capacitive sensors.

The use of the 95 series is recommended if the user wants to do a level measurement and to control a relay..

With the 95 series no separate relay is required.

In the agriculture industry the capacitive sensors and probes can control automatic animal feeding systems and detect fodder and seeds.

They serve as a **backlog jam indicator** in conveying systems or as **level control** in

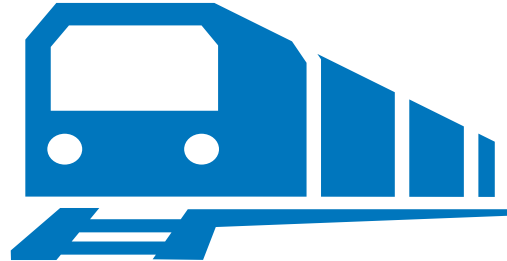
dosing units, filling or packaging systems.

They control the filling level both in large silos and in small storage containers.

Application examples are for instance:

- Detection of powder, granule, pastes, liquids and pellets
- Foil shreds at chipping plants
- and much more.

Capacitive sensors of 95 series



- control the level of the breaking sand in the storage container in rail vehicles.



- control the level of pellets in automatic animal feeding systems



- measure the level of granules and liquids.



The sealing plug which is fixed at the cable protects the adjustment elements against humidity and dirt.

CAPACITIVE SENSORS KAS 95 SERIES

CAPACITIVE SENSORS WITH HOUSING MATERIAL PBT BODY SIZE M 30 x 1.5	8 - 9
CAPACITIVE SENSORS WITH HOUSING MATERIAL PBT BODY SIZE M 32 x 1.5	10 - 11
CAPACITIVE SENSORS WITH HOUSING MATERIAL PBT BODY SIZE Ø 32 mm	12 - 13
CAPACITIVE SENSORS WITH HOUSING MATERIAL POM BODY SIZE M 30 x 1.5	14 - 15
CAPACITIVE SENSORS WITH HOUSING MATERIAL POM BODY SIZE M 32 x 1.5	16 - 17
CAPACITIVE SENSORS WITH HOUSING MATERIAL POM BODY SIZE Ø 32 mm	18 - 19



Capacitive Sensors Series 95 - AC / DC - Relay output

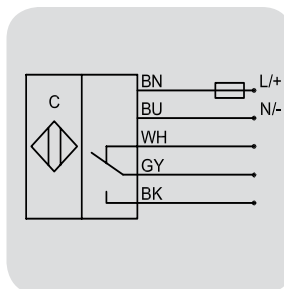
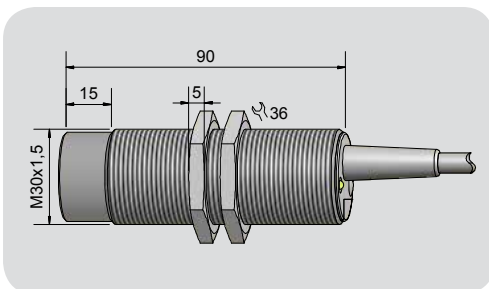
Housing M 30 x 1.5

- Housing material: PBT
- Sensing distance 2...20 mm adjustable
- Potential-free change-over contact



Technical data	Non-flush mountable
Level sensor, in contact with the product	Medium dependent adjustable
Operating distance min. / max. adjustable	2...20 mm
Electrical version	5-wire AC / DC
Output	Relay, 1 CO
Type	KAS-95-A24-1CO-K-PBT
Art.-No.	KA 0800
Operating voltage (U _B)	20...250 V AC / DC
Load max. AC (I, U)	2 A, 250 V
Load max. DC (I, U, P)	2 A, 220 V, 60 W
No-load current (I ₀)	2.1 mA
Frequency of operating cycles max.	2 Hz
Permitted ambient temperature	-25...+70 °C
LED-display	Yellow
Protective circuit	Built-in
Degree of protection IEC 60529	IP 67*
Norm	EN 60947-5-2
Connection cable	2 m, PVC, 5 x 0.34 mm ²
Housing material	PBT
Active surface	PBT
Lid	PA / PPO
Accessories (supplied with the sensor):	2 nuts M 30 x 1,5
Accessories (not supplied with the sensor): Control tube and sensor holder please see our selection of accessories.	

*With sealed potentiometer



Made in Germany



Capacitive Sensors Series 95 - AC / DC - Relay output

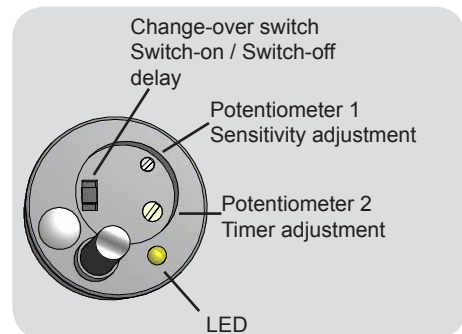
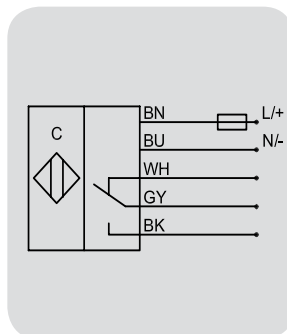
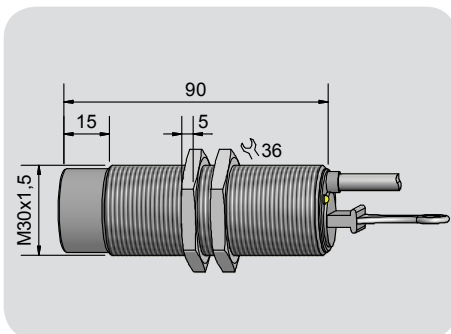
Housing M 30 x 1.5

- Housing material: PBT
- Sensing distance 2...20 mm adjustable
- Normally open and normally closed function
- Potential-free change-over contact
- Switch-on and switch-off delay changeable
- Adjustable timer 1 sec. - 10 min.

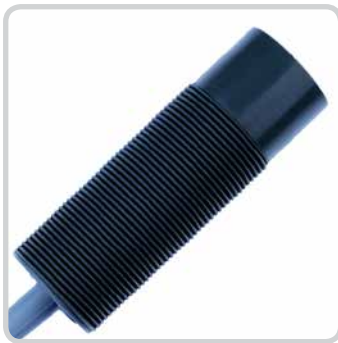


Technical data	Non-flush mountable
Level sensor, in contact with the product	Medium dependent adjustable
Operating distance min. / max. adjustable	2...20 mm
Electrical version	5-wire AC / DC
Output	Relay, 1 CO
Type	KAS-95-A24-1CO-K-PBT-TD
Art.-No.	KA 0842
Operating voltage (U _B)	20...250 V AC / DC
Load max. AC (I, U)	2 A, 250 V
Load max. DC (I, U, P)	2 A, 220 V, 60 W
No-load current (I ₀)	2.1 mA
Frequency of operating cycles max.	2 Hz
Permitted ambient temperature	-25...+70 °C
LED-display	Yellow
Protective circuit	Built-in
Degree of protection IEC 60529	IP 67*
Norm	EN 60947-5-2
Connection cable	2 m, PVC, 5 x 0.34 mm ²
Housing material	PBT
Active surface	PBT
Lid	PBT
Accessories (supplied with the sensor):	2 nuts M 30 x 1,5
Accessories (not supplied with the sensor):	Control tube and sensor holder please see our selection of accessories.

*With sealed potentiometers



Made in Germany



Capacitive Sensors Series 95 - AC / DC - Relay output

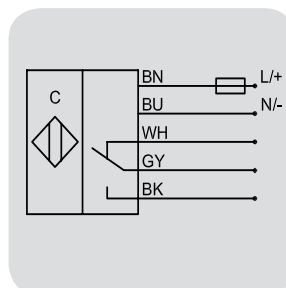
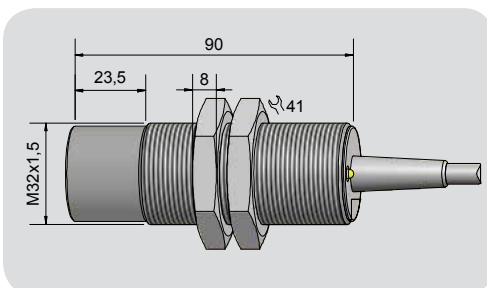
Housing M 32 x 1.5

- Housing material: PBT
- Sensing distance 2...25 mm adjustable
- Potential-free change-over contact



Technical data	Non-flush mountable
Level sensor, in contact with the product	Medium dependent adjustable
Operating distance min. / max. adjustable	2...25 mm
Electrical version	5-wire AC / DC
Output	Relay, 1 CO
Type	KAS-95-32-1CO-K-M32-PBT
Art.-No.	KA 0854
Operating voltage (U _B)	20...250 V AC / DC
Load max. AC (I, U)	2 A, 250 V
Load max. DC (I, U, P)	2 A, 220 V, 60 W
No-load current (I ₀)	2.1 mA
Frequency of operating cycles max.	2 Hz
Permitted ambient temperature	-25...+70 °C
LED-display	Yellow
Protective circuit	Built-in
Degree of protection IEC 60529	IP 67*
Norm	EN 60947-5-2
Connection cable	2 m, PVC, 5 x 0.34 mm ²
Housing material	PBT
Active surface	PBT
Lid	PA / PPO
Accessories (supplied with the sensor):	2 nuts M 32 x 1,5
Accessories (not supplied with the sensor): Control tube and sensor holder please see our selection of accessories.	

*With sealed potentiometer



Made in Germany



Capacitive Sensors Series 95 - AC / DC - Relay output

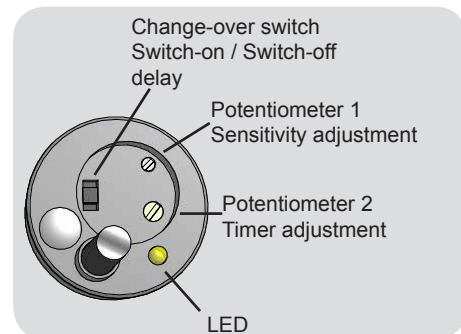
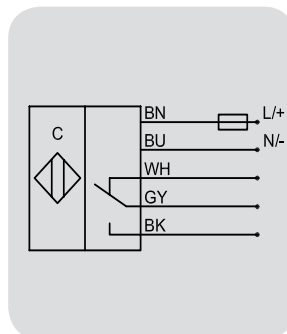
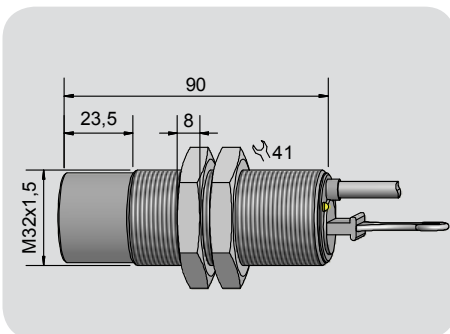
Housing M 32 x 1.5

- Housing material: PBT
- Sensing distance 2...25 mm adjustable
- Normally open and normally closed function
- Potential-free change-over contact
- Switch-on and switch-off delay changeable
- Adjustable timer 1 sec. - 10 min.



Technical data	Non-flush mountable
Level sensor, in contact with the product	Medium dependent adjustable
Operating distance min. / max. adjustable	2...25 mm
Electrical version	5-wire AC / DC
Output	Relay, 1 CO
Type	KAS-95-32-1CO-K-M32-PBT-TD
Art.-No.	KA 0822
Operating voltage (U _B)	20...250 V AC / DC
Load max. AC (I, U)	2 A, 250 V
Load max. DC (I, U, P)	2 A, 220 V, 60 W
No-load current (I ₀)	2.1 mA
Frequency of operating cycles max.	2 Hz
Permitted ambient temperature	-25...+70 °C
LED-display	Yellow
Protective circuit	Built-in
Degree of protection IEC 60529	IP 67*
Norm	EN 60947-5-2
Connection cable	2 m, PVC, 5 x 0.34 mm ²
Housing material	PBT
Active surface	PBT
Lid	PBT
Accessories (supplied with the sensor):	2 nuts M 32 x 1,5
Accessories (not supplied with the sensor):	Control tube and sensor holder please see our selection of accessories.

*With sealed potentiometers



Made in Germany



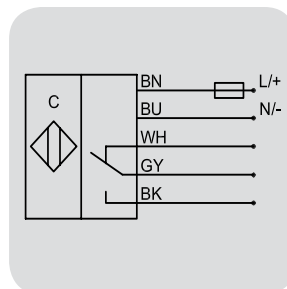
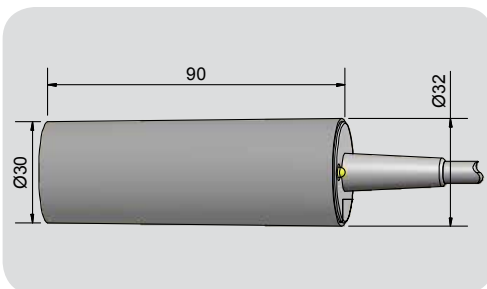
Capacitive Sensors Series 95 - AC / DC - Relay output

- Housing Ø 32 mm
- Housing material: PBT
 - Sensing distance 2...25 mm adjustable
 - Potential-free change-over contact



Technical data	Non-flush mountable
Level sensor, in contact with the product	Medium dependent adjustable
Operating distance min. / max. adjustable	2...25 mm
Electrical version	5-wire AC / DC
Output	Relay, 1 CO
Type	KAS-95-32-1CO-K-PBT
Art.-No.	KA 0857
Operating voltage (U _B)	20...250 V AC / DC
Load max. AC (I, U)	2 A, 250 V
Load max. DC (I, U, P)	2 A, 220 V, 60 W
No-load current (I ₀)	2.1 mA
Frequency of operating cycles max.	2 Hz
Permitted ambient temperature	-25...+70 °C
LED-display	Yellow
Protective circuit	Built-in
Degree of protection IEC 60529	IP 67*
Norm	EN 60947-5-2
Connection cable	2 m, PVC, 5 x 0.34 mm ²
Housing material	PBT
Active surface	PBT
Lid	PA / PPO
Accessories (not supplied with the sensor): Control tube and sensor holder please see our selection of accessories.	

*With sealed potentiometer



Made in Germany



Capacitive Sensors Series 95 - AC / DC - Relay output

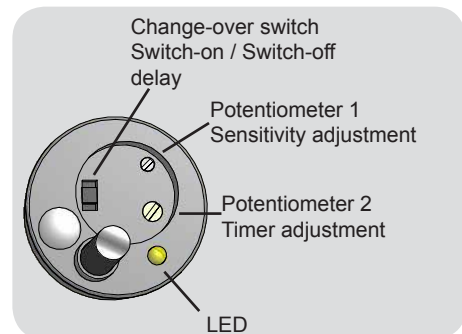
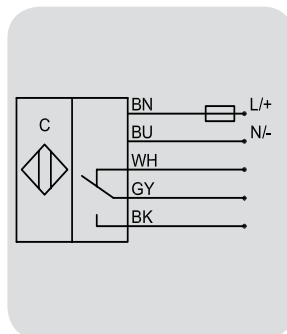
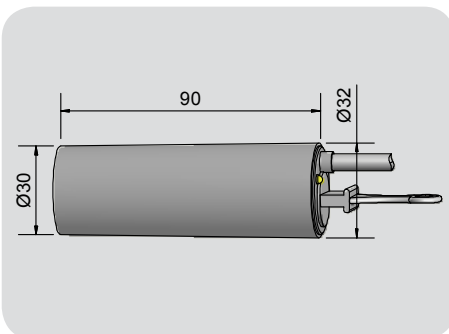
Housing Ø 32 mm

- Housing material: PBT
- Sensing distance 2...25 mm adjustable
- Normally open and normally closed function
- Potential-free change-over contact
- Switch-on and switch-off delay changeable
- Adjustable timer 1 sec. - 10 min.



Technical data	Non-flush mountable
Level sensor, in contact with the product	Medium dependent adjustable
Operating distance min. / max. adjustable	2...25 mm
Electrical version	5-wire AC / DC
Output	Relay, 1 CO
Type	KAS-95-32-1CO-K-PBT-TD
Art.-No.	KA 0858
Operating voltage (U _B)	20...250 V AC / DC
Load max. AC (I, U)	2 A, 250 V
Load max. DC (I, U, P)	2 A, 220 V, 60 W
No-load current (I ₀)	2.1 mA
Frequency of operating cycles max.	2 Hz
Permitted ambient temperature	-25...+70 °C
LED-display	Yellow
Protective circuit	Built-in
Degree of protection IEC 60529	IP 67*
Norm	EN 60947-5-2
Connection cable	2 m, PVC, 5 x 0.34 mm ²
Housing material	PBT
Active surface	PBT
Lid	PBT
Accessories (not supplied with the sensor): Control tube and sensor holder please see our selection of accessories.	

*With sealed potentiometers



Made in Germany



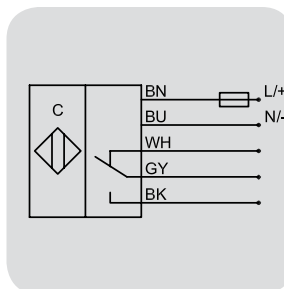
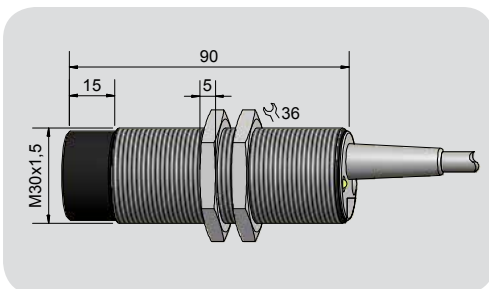
Capacitive Sensors Series 95 - AC / DC - Relay output

- Housing M 30 x 1.5
- Housing material: POM
 - Sensing distance 2...20 mm adjustable
 - Potential-free change-over contact



Technical data	Non-flush mountable
Level sensor, in contact with the product	Medium dependent adjustable
Operating distance min. / max. adjustable	2...20 mm
Electrical version	5-wire AC / DC
Output	Relay, 1 CO
Type	KAS-95-A24-1CO-K-POM
Art.-No.	KA 0747
Operating voltage (U _B)	20...250 V AC / DC
Load max. AC (I, U)	2 A, 250 V
Load max. DC (I, U, P)	2 A, 220 V, 60 W
No-load current (I ₀)	2.1 mA
Frequency of operating cycles max.	2 Hz
Permitted ambient temperature	-25...+70 °C
LED-display	Yellow
Protective circuit	Built-in
Degree of protection IEC 60529	IP 67*
Norm	EN 60947-5-2
Connection cable	2 m, PVC, 5 x 0.34 mm ²
Housing material	POM
Active surface	POM
Lid	PA
Accessories (supplied with the sensor):	2 nuts M 30 x 1,5
Accessories (not supplied with the sensor): Control tube and sensor holder please see our selection of accessories.	

*With sealed potentiometer



Made in Germany



Capacitive Sensors Series 95 - AC / DC - Relay output

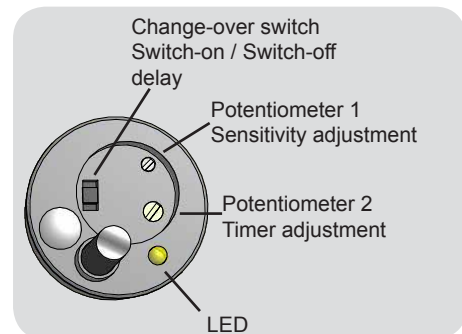
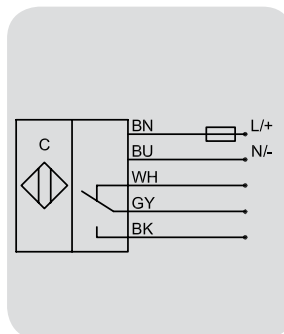
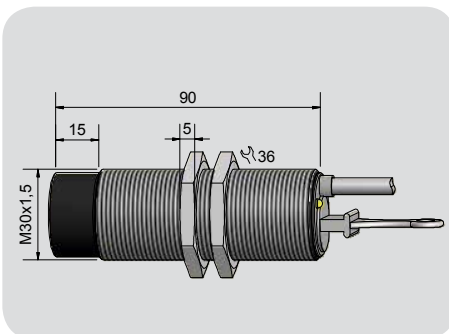
Housing M 30 x 1.5

- Housing material: POM
- Sensing distance 2...20 mm adjustable
- Normally open and normally closed function
- Potential-free change-over contact
- Switch-on and switch-off delay changeable
- Adjustable timer 1 sec. - 10 min.



Technical data	Non-flush mountable
Level sensor, in contact with the product	Medium dependent adjustable
Operating distance min. / max. adjustable	2...20 mm
Electrical version	5-wire AC / DC
Output	Relay, 1 CO
Type	KAS-95-A24-1CO-K-POM-TD
Art.-No.	KA 0748
Operating voltage (U _B)	20...250 V AC / DC
Load max. AC (I, U)	2 A, 250 V
Load max. DC (I, U, P)	2 A, 220 V, 60 W
No-load current (I ₀)	2.1 mA
Frequency of operating cycles max.	2 Hz
Permitted ambient temperature	-25...+70 °C
LED-display	Yellow
Protective circuit	Built-in
Degree of protection IEC 60529	IP 67*
Norm	EN 60947-5-2
Connection cable	2 m, PVC, 5 x 0.34 mm ²
Housing material	POM
Active surface	POM
Lid	PBT
Accessories (supplied with the sensor):	2 nuts M 30 x 1,5
Accessories (not supplied with the sensor): Control tube and sensor holder please see our selection of accessories.	

*With sealed potentiometers



Made in Germany



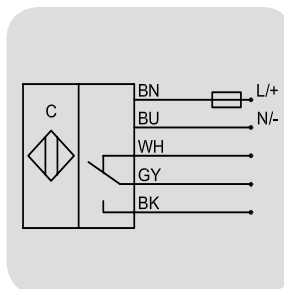
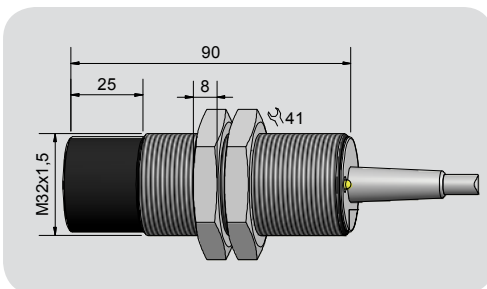
Capacitive Sensors Series 95 - AC / DC - Relay output

- Housing M 32 x 1.5
- Housing material: POM
 - Sensing distance 2...25 mm adjustable
 - Potential-free change-over contact



Technical data	Non-flush mountable
Level sensor, in contact with the product	Medium dependent adjustable
Operating distance min. / max. adjustable	2...25 mm
Electrical version	5-wire AC / DC
Output	Relay, 1 CO
Type	KAS-95-32-1CO-K-M32-POM
Art.-No.	KA 0743
Operating voltage (U _B)	20...250 V AC / DC
Load max. AC (I, U)	2 A, 250 V
Load max. DC (I, U, P)	2 A, 220 V, 60 W
No-load current (I ₀)	2.1 mA
Frequency of operating cycles max.	2 Hz
Permitted ambient temperature	-25...+70 °C
LED-display	Yellow
Protective circuit	Built-in
Degree of protection IEC 60529	IP 67*
Norm	EN 60947-5-2
Connection cable	2 m, PVC, 5 x 0.34 mm ²
Housing material	POM
Active surface	POM
Lid	PA
Accessories (supplied with the sensor):	2 nuts M 32 x 1,5
Accessories (not supplied with the sensor): Control tube and sensor holder please see our selection of accessories.	

*With sealed potentiometer



Made in Germany



Capacitive Sensors Series 95 - AC / DC - Relay output

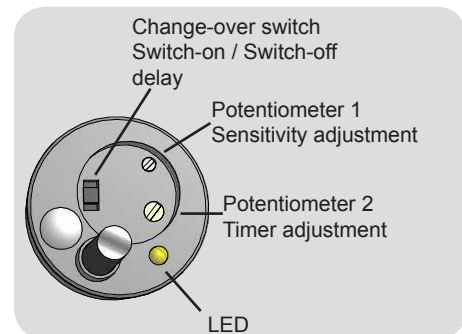
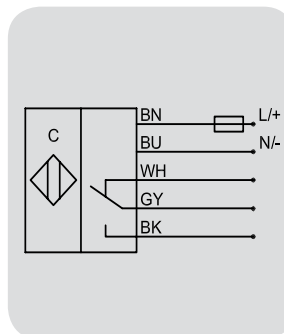
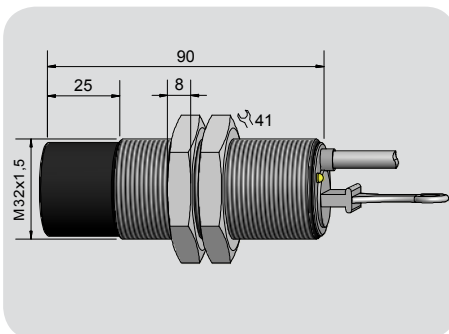
Housing M 32 x 1.5

- Housing material: POM
- Sensing distance 2...25 mm adjustable
- Normally open and normally closed function
- Potential-free change-over contact
- Switch-on and switch-off delay changeable
- Adjustable timer 1 sec. - 10 min.



Technical data	Non-flush mountable
Level sensor, in contact with the product	Medium dependent adjustable
Operating distance min. / max. adjustable	2...25 mm
Electrical version	5-wire AC / DC
Output	Relay, 1 CO
Type	KAS-95-32-1CO-K-M32-POM-TD
Art.-No.	KA 0744
Operating voltage (U _B)	20...250 V AC / DC
Load max. AC (I, U)	2 A, 250 V
Load max. DC (I, U, P)	2 A, 220 V, 60 W
No-load current (I ₀)	2.1 mA
Frequency of operating cycles max.	2 Hz
Permitted ambient temperature	-25...+70 °C
LED-display	Yellow
Protective circuit	Built-in
Degree of protection IEC 60529	IP 67*
Norm	EN 60947-5-2
Connection cable	2 m, PVC, 5 x 0.34 mm ²
Housing material	POM
Active surface	POM
Lid	PBT
Accessories (supplied with the sensor):	2 nuts M 32 x 1,5
Accessories (not supplied with the sensor): Control tube and sensor holder please see our selection of accessories.	

*With sealed potentiometers



Made in Germany



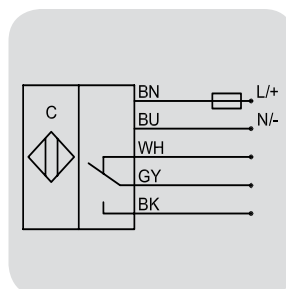
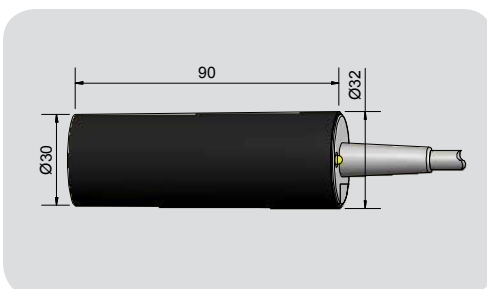
Capacitive Sensors Series 95 - AC / DC - Relay output

- Housing Ø 32 mm
- Housing material: POM
 - Sensing distance 2...25 mm adjustable
 - Potential-free change-over contact



Technical data	Non-flush mountable
Level sensor, in contact with the product	Medium dependent adjustable
Operating distance min. / max. adjustable	2...25 mm
Electrical version	5-wire AC / DC
Output	Relay, 1 CO
Type	KAS-95-32-1CO-K-POM
Art.-No.	KA 0760
Operating voltage (U _B)	20...250 V AC / DC
Load max. AC (I, U)	2 A, 250 V
Load max. DC (I, U, P)	2 A, 220 V, 60 W
No-load current (I ₀)	2.1 mA
Frequency of operating cycles max.	2 Hz
Permitted ambient temperature	-25...+70 °C
LED-display	Yellow
Protective circuit	Built-in
Degree of protection IEC 60529	IP 67*
Norm	EN 60947-5-2
Connection cable	2 m, PVC, 5 x 0.34 mm ²
Housing material	POM
Active surface	POM
Lid	PA
Accessories (not supplied with the sensor): Control tube and sensor holder please see our selection of accessories.	

*With sealed potentiometer



Made in Germany



Capacitive Sensors Series 95 - AC / DC - Relay output

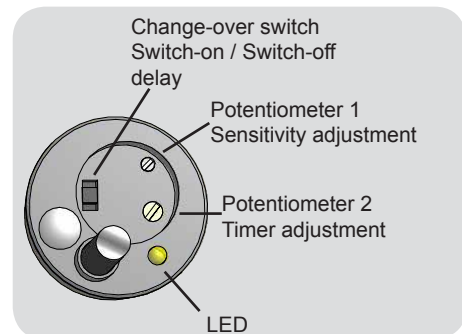
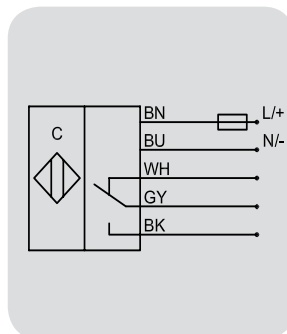
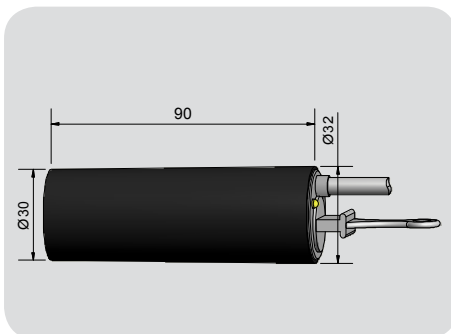
Housing Ø 32 mm

- Housing material: POM
- Sensing distance 2...25 mm adjustable
- Normally open and normally closed function
- Potential-free change-over contact
- Switch-on and switch-off delay changeable
- Adjustable timer 1 sec. - 10 min.



Technical data	Non-flush mountable
Level sensor, in contact with the product	Medium dependent adjustable
Operating distance min. / max. adjustable	2...25 mm
Electrical version	5-wire AC / DC
Output	Relay, 1 CO
Type	KAS-95-32-1CO-K-POM-TD
Art.-No.	KA 0761
Operating voltage (U _B)	20...250 V AC / DC
Load max. AC (I, U)	2 A, 250 V
Load max. DC (I, U, P)	2 A, 220 V, 60 W
No-load current (I ₀)	2.1 mA
Frequency of operating cycles max.	2 Hz
Permitted ambient temperature	-25...+70 °C
LED-display	Yellow
Protective circuit	Built-in
Degree of protection IEC 60529	IP 67*
Norm	EN 60947-5-2
Connection cable	2 m, PVC, 5 x 0.34 mm ²
Housing material	POM
Active surface	POM
Lid	PBT
Accessories (not supplied with the sensor): Control tube and sensor holder please see our selection of accessories.	

*With sealed potentiometers



Made in Germany

SENSORS ATEX WITH MANUFACTURER DECLARATION

<p>CAPACITIVE SENSORS WITH HOUSING MATERIAL PTFE / BRASS BODY SIZE M 30 x 1.5 with manufacturer declaration for use in zone 22 ATEX</p>	<p>22 - 23</p>
<p>CAPACITIVE SENSORS WITH HOUSING MATERIAL PTFE / BRASS BODY SIZE M 32 x 1.5 with manufacturer declaration for use in zone 22 ATEX</p>	<p>24 - 25</p>
<p>CAPACITIVE SENSORS WITH HOUSING MATERIAL PTFE / BRASS BODY SIZE Ø 32 mm with manufacturer declaration for use in zone 22 ATEX</p>	<p>26 - 27</p>



Capacitive Sensors Series 95 - AC / DC - Relay output

Housing M 30 x 1.5

- For use in zone 22
- Housing material: Brass
- Sensing distance 2...20 mm adjustable
- Potential-free change-over contact

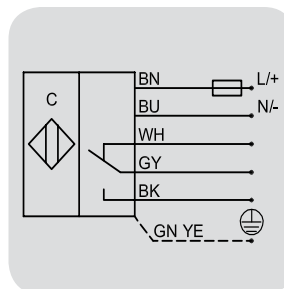
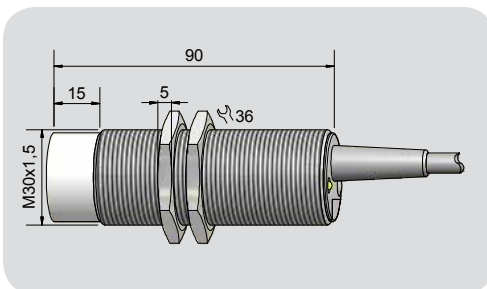
With manufacturer certificate

Ex II 3 D IP67 T101 °C X



Technical data	Non-flush mountable
Level sensor, in contact with the product	Medium dependent adjustable
Operating distance min. / max. adjustable	2...20 mm
Electrical version	5-wire AC / DC
Output	Relay, 1 CO
Type	KAS-95-A24-1CO-PTFE/MS-3D
Art.-No.	KA 1010
Operating voltage (U _B)	20...250 V AC / DC
Load max. AC (I, U)	2 A, 250 V
Load max. DC (I, U, P)	2 A, 220 V, 60 W
No-load current (I ₀)	2.1 mA
Frequency of operating cycles max.	2 Hz
Permitted ambient temperature	-20...+70 °C
LED-display	Yellow
Protective circuit	Built-in
Degree of protection IEC 60529	IP 67*
Norm	EN 60947-5-2
Connection cable	2 m, PVC, 6 x 0.34 mm ²
Housing material	Brass
Active surface	PTFE (FDA 21 CFR 177.1550)
Lid	PA
Accessories (supplied with the sensor):	2 nuts M 30 x 1,5
Accessories (not supplied with the sensor): Control tube and sensor holder please see our selection of accessories.	

*With sealed potentiometer



Made in Germany



Capacitive Sensors Series 95 - AC / DC - Relay output

- Housing M 30 x 1.5
- For use in zone 22
 - Housing material: Brass
 - Sensing distance 2...20 mm adjustable
 - Normally open and normally closed function
 - Potential-free change-over contact
 - Switch-on and switch-off delay changeable
 - Adjustable timer 1 sec. - 10 min.

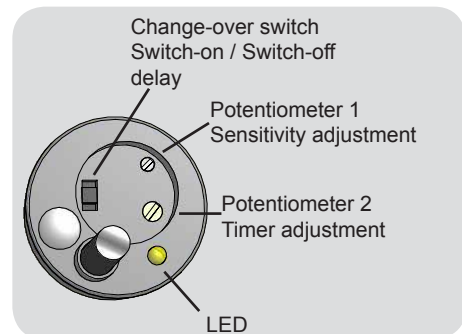
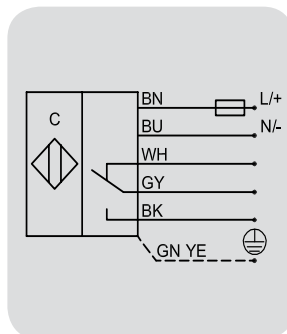
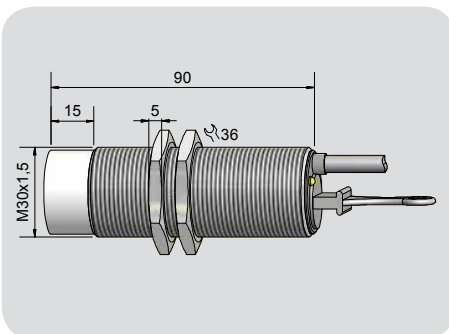
With manufacturer certificate

Ex II 3 D IP67 T101 °C X



Technical data	Non-flush mountable
Level sensor, in contact with the product	Medium dependent adjustable
Operating distance min. / max. adjustable	2...20 mm
Electrical version	5-wire AC / DC
Output	Relay, 1 CO
Type	KAS-95-A24-1CO-PTFE/MS-TD-3D
Art.-No.	KA 1008
Operating voltage (U _B)	20...250 V AC / DC
Load max. AC (I, U)	2 A, 250 V
Load max. DC (I, U, P)	2 A, 220 V, 60 W
No-load current (I ₀)	2.1 mA
Frequency of operating cycles max.	2 Hz
Permitted ambient temperature	-20...+70 °C
LED-display	Yellow
Protective circuit	Built-in
Degree of protection IEC 60529	IP 67*
Norm	EN 60947-5-2
Connection cable	2 m, PVC, 6 x 0.34 mm ²
Housing material	Brass
Active surface	PTFE (FDA 21 CFR 177.1550)
Lid	PBT
Accessories (supplied with the sensor):	2 nuts M 30 x 1,5
Accessories (not supplied with the sensor): Control tube and sensor holder please see our selection of accessories.	

*With sealed potentiometers



Made in Germany



Capacitive Sensors Series 95 - AC / DC - Relay output

Housing M 32 x 1.5

- For use in zone 22
- Housing material: Brass
- Sensing distance 2...25 mm adjustable
- Potential-free change-over contact

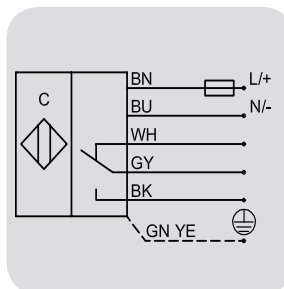
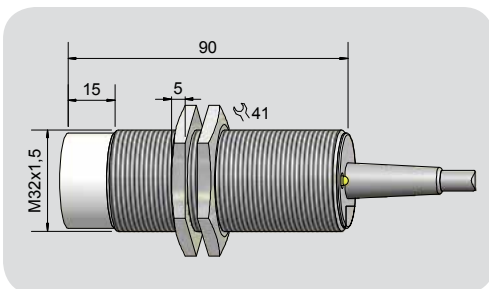
With manufacturer certificate

Ex II 3 D IP67 T101 °C X



Technical data	Non-flush mountable
Level sensor, in contact with the product	Medium dependent adjustable
Operating distance min. / max. adjustable	2...25 mm
Electrical version	5-wire AC / DC
Output	Relay, 1 CO
Type	KAS-95-32-1CO-M32-PTFE/MS-3D
Art.-No.	KA 1007
Operating voltage (U _B)	20...250 V AC / DC
Load max. AC (I, U)	2 A, 250 V
Load max. DC (I, U, P)	2 A, 220 V, 60 W
No-load current (I ₀)	2.1 mA
Frequency of operating cycles max.	2 Hz
Permitted ambient temperature	-20...+70 °C
LED-display	Yellow
Protective circuit	Built-in
Degree of protection IEC 60529	IP 67*
Norm	EN 60947-5-2
Connection cable	2 m, PVC, 6 x 0.34 mm ²
Housing material	Brass
Active surface	PTFE (FDA 21 CFR 177.1550)
Lid	PA
Accessories (supplied with the sensor):	2 nuts M 32 x 1,5
Accessories (not supplied with the sensor): Control tube and sensor holder please see our selection of accessories.	

*With sealed potentiometer



Made in Germany



Capacitive Sensors Series 95 - AC / DC - Relay output

Housing M 32 x 1.5

- For use in zone 22
- Housing material: Brass
- Sensing distance 2...25 mm adjustable
- Normally open and normally closed function
- Potential-free change-over contact
- Switch-on and switch-off delay changeable
- Adjustable timer 1 sec. - 10 min.

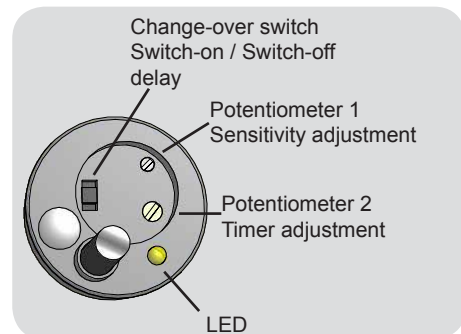
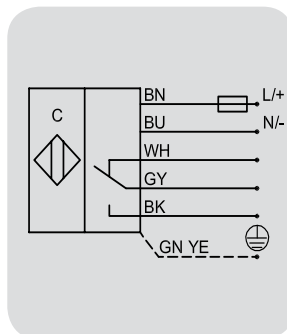
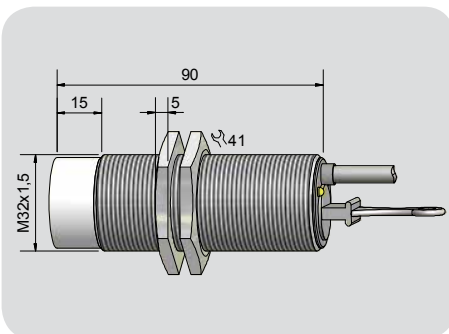
With manufacturer certificate

Ex II 3 D IP67 T101 °C X



Technical data	Non-flush mountable
Level sensor, in contact with the product	Medium dependent adjustable
Operating distance min. / max. adjustable	2...25 mm
Electrical version	5-wire AC / DC
Output	Relay, 1 CO
Type	KAS-95-32-1CO-M32-PTFE/MS-TD-3D
Art.-No.	KA 1009
Operating voltage (U _B)	20...250 V AC / DC
Load max. AC (I, U)	2 A, 250 V
Load max. DC (I, U, P)	2 A, 220 V, 60 W
No-load current (I ₀)	2.1 mA
Frequency of operating cycles max.	2 Hz
Permitted ambient temperature	-20...+70 °C
LED-display	Yellow
Protective circuit	Built-in
Degree of protection IEC 60529	IP 67*
Norm	EN 60947-5-2
Connection cable	2 m, PVC, 6 x 0.34 mm ²
Housing material	Brass
Active surface	PTFE (FDA 21 CFR 177.1550)
Lid	PBT
Accessories (supplied with the sensor):	2 nuts M 32 x 1,5
Accessories (not supplied with the sensor): Control tube and sensor holder please see our selection of accessories.	

*With sealed potentiometers



Made in Germany



Capacitive Sensors Series 95 - AC / DC - Relay output

- Housing Ø 32 mm
- For use in zone 22
 - Housing material: Brass
 - Sensing distance 2...25 mm adjustable
 - Potential-free change-over contact

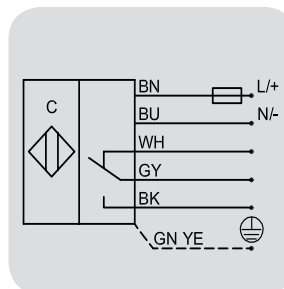
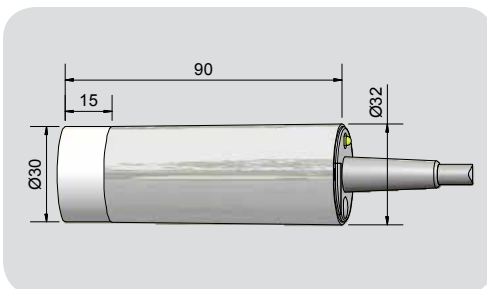
With manufacturer certificate

Ex II 3 D IP67 T101 °C X



Technical data	Non-flush mountable
Level sensor, in contact with the product	Medium dependent adjustable
Operating distance min. / max. adjustable	2...25 mm
Electrical version	5-wire AC / DC
Output	Relay, 1 CO
Type	KAS-95-32-1CO-PTFE/MS-3D
Art.-No.	KA 1005
Operating voltage (U _B)	20...250 V AC / DC
Load max. AC (I, U)	2 A, 250 V
Load max. DC (I, U, P)	2 A, 220 V, 60 W
No-load current (I ₀)	2.1 mA
Frequency of operating cycles max.	2 Hz
Permitted ambient temperature	-20...+70 °C
LED-display	Yellow
Protective circuit	Built-in
Degree of protection IEC 60529	IP 67*
Norm	EN 60947-5-2
Connection cable	2 m, PVC, 6 x 0.34 mm ²
Housing material	Brass
Active surface	PTFE (FDA 21 CFR 177.1550)
Lid	PA
Accessories (not supplied with the sensor): Control tube and sensor holder please see our selection of accessories.	

*With sealed potentiometer



Made in Germany



Capacitive Sensors Series 95 - AC / DC - Relay output

- Housing \varnothing 32 mm
- For use in zone 22
 - Housing material: Brass
 - Sensing distance 2...25 mm adjustable
 - Normally open and normally closed function
 - Potential-free change-over contact
 - Switch-on and switch-off delay changeable
 - Adjustable timer 1 sec. - 10 min.

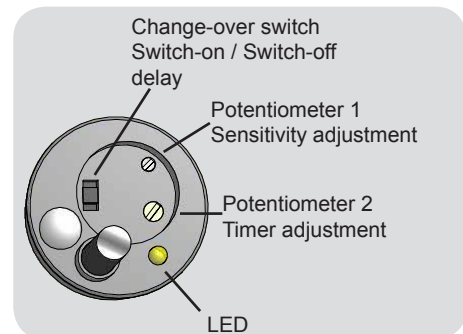
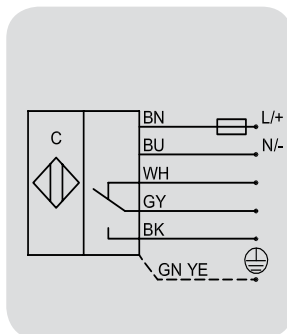
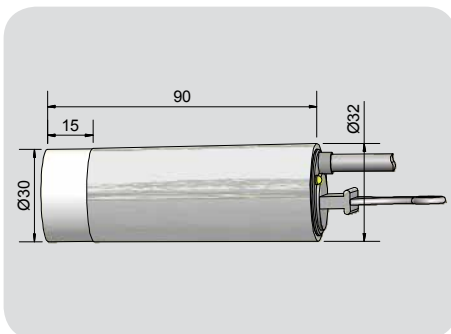
With manufacturer certificate

II 3 D IP67 T101 °C X



Technical data	Non-flush mountable
Level sensor, in contact with the product	Medium dependent adjustable
Operating distance min. / max. adjustable	2...25 mm
Electrical version	5-wire AC / DC
Output	Relay, 1 CO
Type	KAS-95-32-1CO-PTFE/MS-TD-3D
Art.-No.	KA 1006
Operating voltage (U_B)	20...250 V AC / DC
Load max. AC (I, U)	2 A, 250 V
Load max. DC (I, U, P)	2 A, 220 V, 60 W
No-load current (I_0)	2.1 mA
Frequency of operating cycles max.	2 Hz
Permitted ambient temperature	-20...+70 °C
LED-display	Yellow
Protective circuit	Built-in
Degree of protection IEC 60529	IP 67*
Norm	EN 60947-5-2
Connection cable	2 m, PVC, 6 x 0.34 mm ²
Housing material	Brass
Active surface	PTFE (FDA 21 CFR 177.1550)
Lid	PBT
Accessories (not supplied with the sensor): Control tube and sensor holder please see our selection of accessories.	

*With sealed potentiometers



Made in Germany

ACCESSORIES

CONTROL TUBE	30
SENSOR HOLDER	31



Control tube

Control tube Ø 60 mm in diameter, complete transparent, with two internal mechanical stops for the tubes, matched to 29 to 30 mm diameter sensors or with a M30 x 1,5 thread (KAS-95-32).



Description	
Type	Control tube
Art. No.	190 710
Housing material	
Accessories (are delivered with the probe)	2 hose band clamps, VA (AISI 304), span spread 50 - 70 mm 1 hose band clamp VA (AISI 304), span spread 30 - 45 mm



Sensor holder

Sensor holder, flexible, T shape, splash-proof, transparent, matched to 29 to 30 mm diameter sensors or with a M30 x 1,5 thread (KAS-95-32).



Description	
Type	Sensor holder, flexible, T shape
Art. No.	190 711
Housing material	
Accessories (are delivered with the probe)	2 hose band clamps, VA (AISI 304), span spread 50 - 70 mm 1 hose band clamp VA (AISI 304), span spread 30 - 45 mm

TYPE SELECTION IN ARTICLE NUMBER ORDER

Art.-No.	Description	Page
190710	Control tube for sensor holder	30
190711	Sensor holder	31
KA0743	KAS-95-32-1CO-K-M32-POM	16
KA0744	KAS-95-32-1CO-K-M32-POM-TD	17
KA0747	KAS-95-A24-1CO-K-POM	14
KA0748	KAS-95-A24-1CO-K-POM-TD	15
KA0760	KAS-95-32-1CO-K-POM	18
KA0761	KAS-95-32-1CO-K-POM-TD	19
KA0800	KAS-95-A24-1CO-K-PBT	8
KA0822	KAS-95-32-1CO-K-M32-PBT-TD	11
KA0842	KAS-95-A24-1CO-K-PBT-TD	9
KA0854	KAS-95-32-1CO-K-M32-PBT	10
KA0857	KAS-95-32-1CO-K-PBT	12
KA0858	KAS-95-32-1CO-K-PBT-TD	13
KA1005	KAS-95-32-1CO-PTFE/MS-3D, ATEX	26
KA1006	KAS-95-32-1CO-PTFE/MS-TD-3D, ATEX	27
KA1007	KAS-95-32-1CO-M32-PTFE/MS-3D, ATEX	24
KA1008	KAS-95-A24-1CO-PTFE/MS-TD-3D, ATEX	23
KA1009	KAS-95-32-1CO-M32-PTFE/MS-TD-3D, ATEX	25
KA1010	KAS-95-A24-1CO-PTFE/MS-3D, ATEX	22

TYPE SELECTION IN DESCRIPTION ORDER

Art.-No.	Description	Page
190710	Control tube for sensor holder	30
KA0854	KAS-95-32-1CO-K-M32-PBT	10
KA0822	KAS-95-32-1CO-K-M32-PBT-TD	11
KA0743	KAS-95-32-1CO-K-M32-POM	16
KA0744	KAS-95-32-1CO-K-M32-POM-TD	17
KA0857	KAS-95-32-1CO-K-PBT	12
KA0858	KAS-95-32-1CO-K-PBT-TD	13
KA0760	KAS-95-32-1CO-K-POM	18
KA0761	KAS-95-32-1CO-K-POM-TD	19
KA1007	KAS-95-32-1CO-M32-PTFE/MS-3D, ATEX	24
KA1009	KAS-95-32-1CO-M32-PTFE/MS-TD-3D, ATEX	25
KA1005	KAS-95-32-1CO-PTFE/MS-3D, ATEX	26
KA1006	KAS-95-32-1CO-PTFE/MS-TD-3D, ATEX	27
KA0800	KAS-95-A24-1CO-K-PBT	8
KA0842	KAS-95-A24-1CO-K-PBT-TD	9
KA0747	KAS-95-A24-1CO-K-POM	14
KA0748	KAS-95-A24-1CO-K-POM-TD	15
KA1010	KAS-95-A24-1CO-PTFE/MS-3D, ATEX	22
KA1008	KAS-95-A24-1CO-PTFE/MS-TD-3D, ATEX	23
190711	Sensor holder	31

Customer proximity guaranteed!

Rechner Sensors has daughter and sister companies in China, Great Britain, Italy, Canada, South Korea and in the U.S..

Furthermore we have representative offices in over 50 countries. For the addresses of our sales partners please visit our website. You will find the addresses under the category contact.

CANADA

Rechner Automation Inc
348 Bronte St. South - Unit 11
Milton, ON L9T 5B6

Tel. 905 636 0866
Fax. 9056360867
contact@rechner.com
www.rechner.com

GREAT BRITAIN

Rechner (UK) Limited
Unit 6, The Old Mill
61 Reading Road
Pangbourne, Berks, RG8 7HY

Tel. +44 118 976 6450
Fax. +44 118 976 6451
info@rechner-sensors.co.uk
www.rechner-sensors.co.uk

ITALY

Rechner Italia SRL
Via Isarco 3
39100 Bolzano (BZ)
Office:
Via Guelfa 5
40138 Bologna
Tel. +39 051 0015498
Fax. +39 051 0015497
info@rechneritalia.it
www.rechneritalia.it

PEOPLE'S REPUBLIC OF CHINA

RECHNER SENSORS SIP CO.LTD.
Building H,
No. 58, Yang Dong Road
Suzhou Industrial Park
Jiangsu Province

Tel. +8651267242858
Fax. +8651267242868
assist@rechner-sensor.cn
www.rechner-sensor.cn

REPUBLIC OF KOREA (SOUTH)

Rechner-Korea Co. Ltd.
A-1408 Ho,
Keumgang Penterium IT Tower,
Hakeuiro 282, Dongan-gu
Anyang City, Gyunggi-do, Seoul

Tel. +82 31 422 8331
Fax. +82 31 423 83371
sensor@rechner.co.kr
www.rechner.co.kr

UNITED STATES OF AMERICA

Rechner Electronics Ind. Inc.
6311 Inducon Corporate Drive,
Suite 5
Sanborn, NY. 14132

Tel. 800 544 4106
Fax. 9056360867
contact@rechner.com
www.rechner.com

RECHNER

INDUSTRIE-ELEKTRONIK GMBH

Gaußstraße 8-10 • 68623 Lampertheim • Germany

T: +49 6206 5007-0 • F:+49 6206 5007-36 • F Intl. +49 6206 5007-20

www.rechner-sensors.com • E-mail: info@rechner-sensors.de