



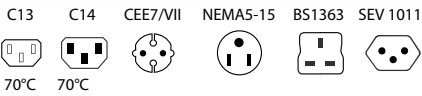
IEC Inlet Locking System IL 13

Power Cord with Locking System



- Locking system for standardized IEC C14 inlet
- No accidental disconnection
- Rated current up to 10A (C13 plug)
- Fits any SCHAFNER IEC C14 inlet filter
- Retrofit for any IEC C14 inlet
- Various power line plugs for international usage

Approvals



Technical specifications

| | |
|--|---|
| Maximum continuous operation voltage: | 250VAC 50/60Hz |
| Rated current: | 10A |
| High potential test voltage: | P → PE 2000VAC (1min 50Hz) P → N 2000VAC (1min 50Hz) |
| Protection category: | IP20 according IEC 60529 |
| Temperature range (operation and storage): | -25°C to +70°C |
| Cable: | 2m; 3 x 1.00mm ² ; H05 VV-F; 6 ft; 3 x 18AWG; SVT black; other lengths or colors on request |
| Connector (load side): | IEC C13 according to IEC/EN 60320-2-2 with IEC Lock UL 498, CSA C22.2 no. 42 (for cold conditions) pin temperature 70 °C, 10 A, Protection Class I |
| Connector (line side): | IEC C14 according to IEC/EN 60320-2-2; EU Schuko plug CEE7/VII; UK plug BS1363; US NEMA5-15 plug; CH plug SEV 1011; Other plugs on request |
| Flammability corresponding to: | Plugs: UL94V-2 or better; Cable: IEC 60332-1 Cat. F2 |

The locking system has a tensile force of typical 200N. It is recommended to use it with flange mount filters. For details refer to our Application Note „Using IEC Lock Power Cords with IEC Inlets and Filters“

Features and benefits

Schaffner power cords with IEC lock guard against accidental disconnection of all electrical appliances with an IEC inlet. No exchange or modification of the IEC inlet or IEC inlet filter system is needed. Easy retrofit for all electronic equipments and devices.

- Power cord with locking system for IEC inlets
- Protection class I
- Suitable for use with any C14 IEC inlet
- Fits the complete Schaffner IEC inlet filter program with C14 IEC inlet
- Max. pin temperature 70°C

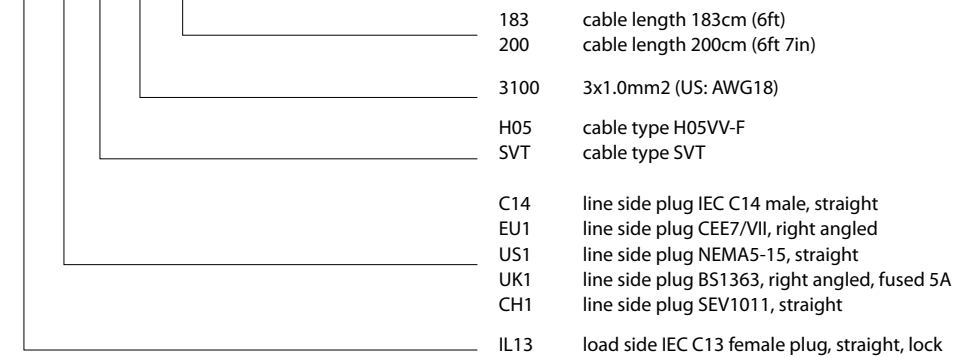
Typical applications

- Data centers
- Industrial equipment
- Medical devices
- In-vitro diagnostic devices
- Broadcasting stations
- Mobile applications

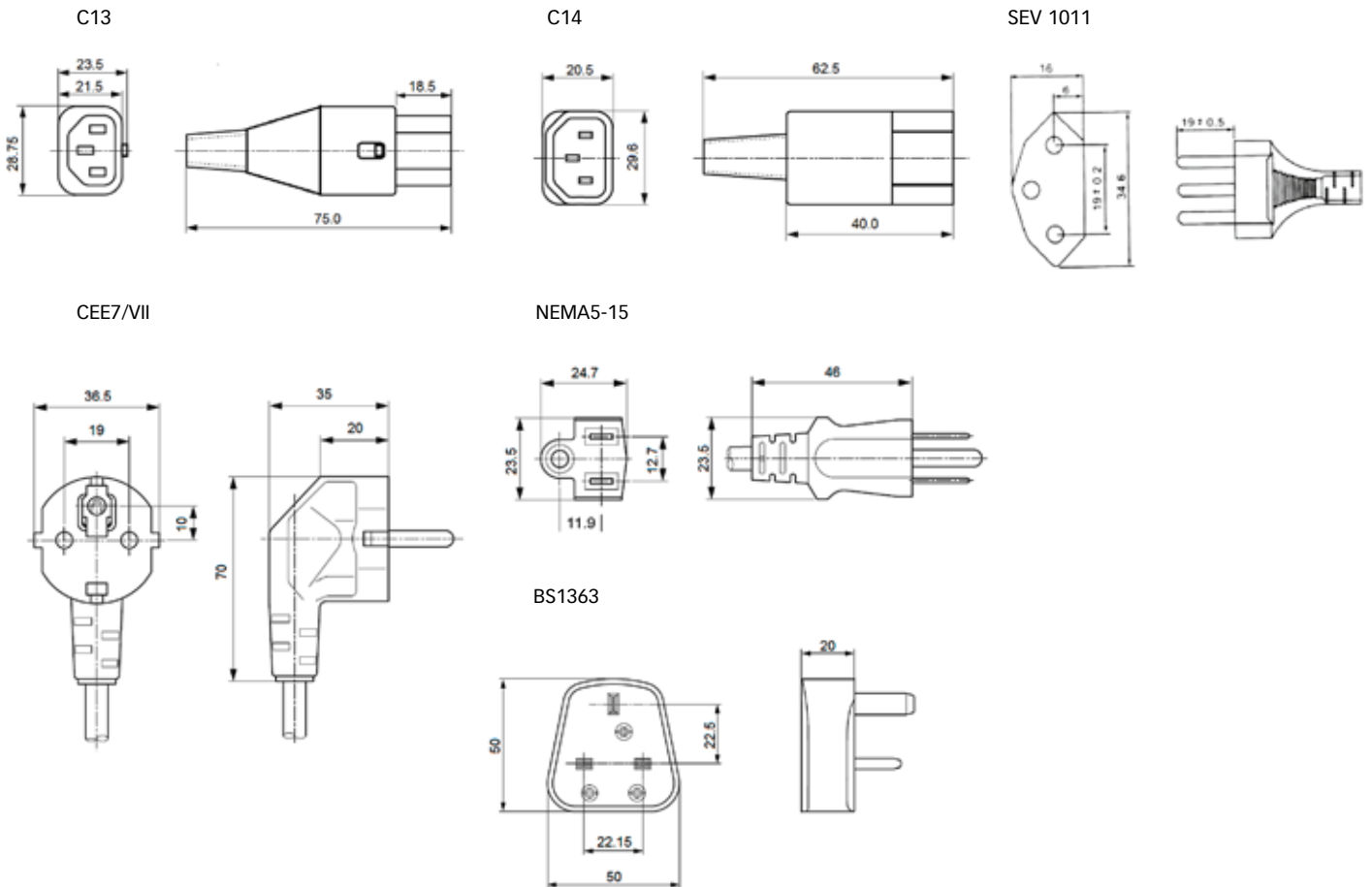
| Cable selection table | |
|-----------------------|--|
| IL13-C14-H05-3100-200 | IEC cable assembly with locking system for IEC C14 inlet, EU version |
| IL13-C14-SVT-3100-183 | IEC cable assembly with locking system for IEC C14 inlet, US version |
| IL13-EU1-H05-3100-200 | IEC cable assembly with locking system for IEC C14 inlet, EU version |
| IL13-US1-SVT-3100-183 | IEC cable assembly with locking system for IEC C14 inlet, US version |
| IL13-UK1-H05-3100-200 | IEC cable assembly with locking system for IEC C14 inlet, UK version |
| IL13-CH1-H05-3100-200 | IEC cable assembly with locking system for IEC C14 inlet, CH version |

Product selector

IL13-yyy-zzz-aaaa-bbb



Mechanical data



**Headquarters and
global innovation and
development center**

Schaffner Group
Nordstrasse 11
4542 Luterbach
Switzerland
T +41 32 681 66 26
F +41 32 681 66 30
info@schaffner.ch
www.schaffner.com

Sales and application centers

China
Schaffner EMC Ltd. Shanghai
T20-3, No 565 Chuangye Road
Pudong New Area
Shanghai 201201/China
T +86 21 3813 9500
F +86 21 3813 9501/02
cschina@schaffner.com
www.schaffner.com

Finland
Schaffner Oy
Tynninkuja 7
08700 Lohja
T +358 19 35 72 71
F +358 19 32 66 10
finlandsales@schaffner.com

France
Schaffner EMC S.A.S.
112, Quai de Bezons
95103 Argenteuil
T +33 1 34 34 30 60
F +33 1 39 47 02 28
francesales@schaffner.com

Germany
Schaffner Deutschland GmbH
Schoemperlenstrasse 12B
76185 Karlsruhe
T +49 721 56910
F +49 721 569110
germanysales@schaffner.com

Italy
Schaffner EMC S.r.l.
Via Galileo Galilei, 47
20092 Cinisello Balsamo (MI)
T +39 02 66 04 30 45/47
F +39 02 61 23 943
italysales@schaffner.com

Japan
Schaffner EMC K.K.
Mitsui-Seimei Sangenjaya Bldg. 7F
1-32-12, Kamiyama, Setagaya-ku
Tokyo 154-0011
T +81 3 5712 3650
F +81 3 5712 3651
japansales@schaffner.com
www.schaffner.jp

Sweden
Schaffner EMC AB
Turebergstorg 1, 6
19147 Sollentuna
T +46 8 5792 1121/22
F +46 8 92 96 90
swedensales@schaffner.com

Switzerland
Schaffner EMV AG
Nordstrasse 11
4542 Luterbach
T +41 32 681 66 26
F +41 32 681 66 41
sales@schaffner.ch

Singapore
Schaffner EMC Pte Ltd.
Blk 3015A Ubi Road 1
05-09 Kampong Ubi Industrial
Estate
T +65 6377 3283
F +65 6377 3281
singaporesales@schaffner.com

Spain
Schaffner EMC España
Calle Caléndula 93,
Miniparc III, Edificio E
El Soto de la Moraleja,
Alcobendas
28109 Madrid
T +34 618 176 133
spainsales@schaffner.com

Taiwan
Schaffner EMV Ltd.
6th Floor, No 413
Rui Guang Road
Neihu District
Taipei City 114
T +886 2 87525050
F +886 2 87518086
taiwansales@schaffner.com

Thailand
Schaffner EMC Co. Ltd.
Northern Region Industrial Estate
67 Moo 4 Tambon Ban Klang
Amphur Muang P.O. Box 14
Lamphun 51000
T +66 53 58 11 04
F +66 53 58 10 19
thailandsales@schaffner.com

UK
Schaffner Ltd.
5 Ashville Way
Molly Millars Lane
Wokingham
Berkshire RG41 2PL
T +44 118 9770070
F +44 118 9792969
uksales@schaffner.com
www.schaffner.uk.com

USA
Schaffner EMC Inc.
52 Mayfield Avenue
Edison, New Jersey 08837
T +1 732 225 9533
F +1 732 225 4789
usasales@schaffner.com
www.schaffner.com/us

To find your local partner within
Schaffner's global network, please go to

www.schaffner.com

July 2012

© 2012 Schaffner Group
Specifications are subject to change
without notice. The latest version of the
data sheets can be obtained from the
website. All trademarks recognized.

Schaffner is an ISO-registered company.
Its products are designed and manufac-
tured under the strict quality and environ-
mental requirements of the ISO 9001 and
ISO 14001 standards.

This document has been carefully checked.
However, Schaffner does not assume any
liability for errors or inaccuracies.