



PIPE TOOLS & VISES  
SINCE 1896

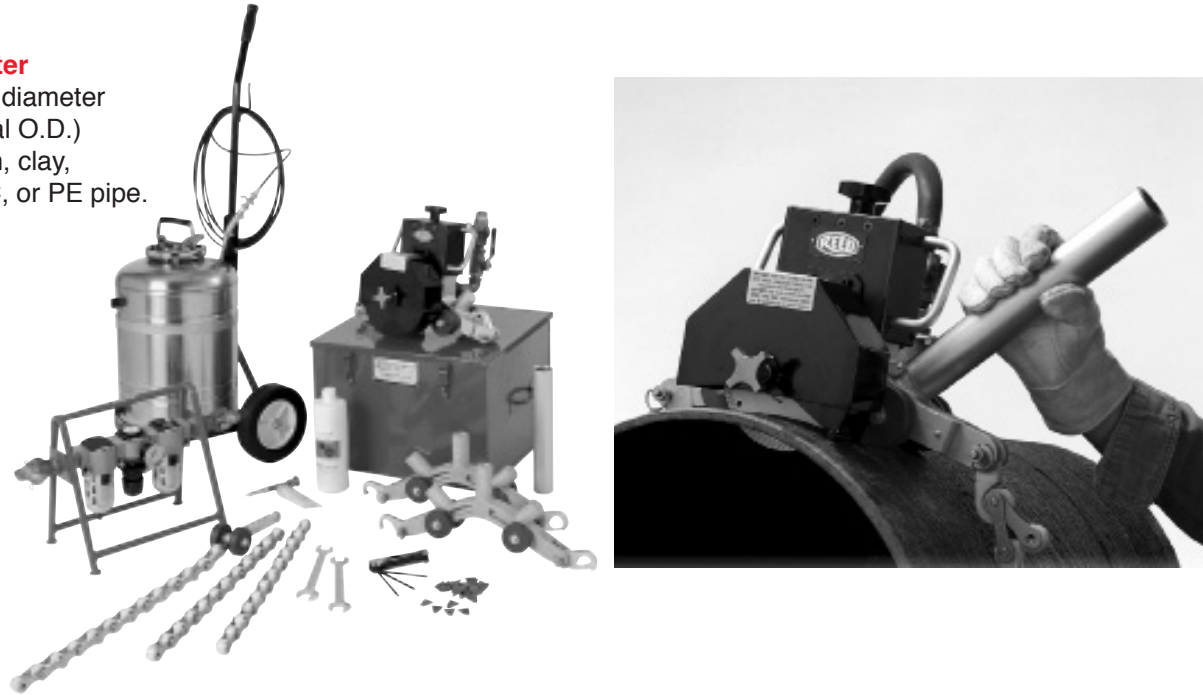
www.reedmfgco.com

## Special Tools for Waterworks

### Universal Pipe Cutter

Cut 6" - 48" nominal diameter  
(150-1300 mm actual O.D.)  
ductile iron, cast iron, clay,  
concrete, steel, PVC, or PE pipe.

Ask for details and a  
demonstration.



PIPE TOOLS & VISES  
SINCE 1896

Reed Manufacturing Company  
Erie, PA USA  
Phone: 814-452-3691 or 800-666-3691

# Water Works Tools



PIPE TOOLS & VISES  
SINCE 1896

www.reedmfgco.com

## Underground Wrenches

### Dual Socket Ratchet Wrenches

L2017	#02251	1 1/4" & 1 1/16"
LHM2275	#02225	Hymax™ 3/4" + 7/8" - 19mm + 22mm



### Deep Well Impact Sockets

EDS17	#02626	1 1/16"
EDS18	#02628	1 1/8"
EDS20	#02630	1 1/4"

Each heavy-duty socket  
features 1/2" drive and is 6" long.



### Ratchet Wrenches & Sockets

L515	#02285	Socket Set with Handle, 3/4" - 1 1/4" Corp Sockets
L564	#02263	Adjustable Quick Release Handle
L20	#02271	1 1/4" Socket

L564 and L20



### Pipe Wrenches

		Pipe Capacity
RW10	#02130	1 1/2"
RW12	#02140	2"
RW14	#02150	2"
RW18	#02160	2 1/2"



### Aluminum Pipe Wrenches

ARW10	#02093	1 1/2"
ARW14	#02095	2"
ARW18	#02097	2 1/2"
ARW24	#02099	3"



### 90° Aluminum Pipe Wrenches

ARWO14	#02202	2", offset handle
--------	--------	-------------------

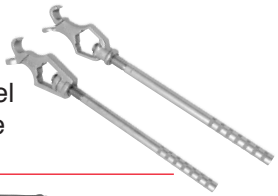


### One Hand Meter Wrenches

		Capacity
MW3/4	#02289	3/4" fittings, 1" pipe
MW11/4	#02281	1 1/4" fittings, 1 1/2" pipe

### Hydrant Wrenches

HW	#02295	Forged Steel
HWB	#02283	Cast Ductile



### Corp Stop Wrench

RSPUD	#02112	2 5/8" maximum actual opening
-------	--------	-------------------------------



## Tools For Copper

### Tubing Cutters

T15	#03485	3/16" - 1 1/4"
T20	#03487	5/8" - 2 1/8"



### Quick Release™ Tubing Cutter

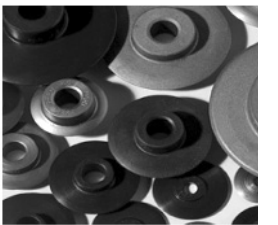
TC2Q	#03420	1/4" - 2 5/8"
------	--------	---------------



### Cutter Wheel for Copper

O	#03660	12/pack
---	--------	---------

Fits Reed T10, T15, T20, TC1Q, TC1.6Q,  
TC2Q, MC3  
Also fits RIDGID® 10, 15, 20 Tubing Cutters



### Cutter Wheel for PVC

1-2PVC	#04184	12/pack
--------	--------	---------

Fits Reed TC1Q, TC1.6Q, TC2Q, T10, T15, T20

### Hammer Flares

HF3/4	#06071	3/4"
HF1	#06072	1"



### Brass Hammer

HAM3	#06088	3 lbs.
------	--------	--------

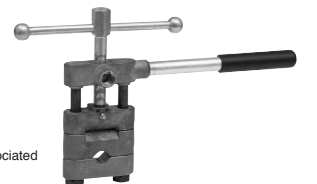
### Rerounders for Copper

RCR3/4	#08226	3/4"
RCR1	#08227	1"
CSR2	#08220	1 1/2" & 2"



### Copper Shut-Off Tool

CSO1	#08200	3/4" & 1"
------	--------	-----------



RIDGID® is a registered trademark of Ridgid, Inc. and is not associated with Reed Manufacturing Company.



PIPE TOOLS & VISES  
SINCE 1896

www.reedmfgco.com

### PVC and PE Pipe Tools

#### Scissor Shears

SC1 #04174 Scissor Shears, 1" capacity



#### Ratchet Shears

RS1 #04176 1" cap. Ratchet Shears  
RS1B #94175 Replacement Blade for RS1



#### Plastic Pipe Saws

PPS18 #04510 18" saw  
PPS18B #94510 Blade for PPS18  
PPS20 #04720 20" saw  
PPS20B #94720 Blade for PPS20  
PPS24 #04724 24" saw  
PPS24B #94724 Blade for PPS24



Larger Tools for PE and PVC are available –  
Check the REED website: [www.reedmfgco.com](http://www.reedmfgco.com)

#### Strap Wrench

SW18A #02249 5" Pipe, 6" Tube capacity



#### PE Water Service Shut-Off Tool

PESO1 #04300 3/4" - 1" Shut-Off Tool



#### Standing Shut-Off Tool

SSO1C #04281 3/4" - 1" Shut-Off Tool



### Cutters for Ductile Iron, Cast Iron

#### Low Clearance Rotary™ Cutters

LCRC4I #03306 2" - 4" Ductile/Cast Iron  
LCRC8I #03308 6" - 8" Ductile/Cast Iron  
RCI8-30 #03535 Cutter Wheel for LCRC8I  
Other Sizes Available.



#### Hinged Cutters

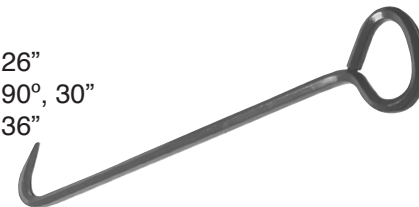
H4S #03120 2" - 4" Cutter for Steel pipe  
H6S #03130 4" - 6" Cutter for Steel pipe



### Other Waterworks Tools

#### Manhole Hooks

MH26 #02301 26"  
MH30 #02302 90°, 30"  
MH36 #02303 36"



#### Valve & Curb Keys

Check with REED  
for the style you need,  
along with a complete  
list of options.



VK3CK1WHL #02353 Main Valve Key + 1" Curb Key  
+ valve wheel 2 prong tool  
+ valve wheel 2 prong tool  
VKA #02340 Adjustable Valve Key  
for 2" Square Nut on Mains



PIPE TOOLS & VISES  
SINCE 1896

www.reedmfgco.com

### Tapping Machines

#### TM1100 Direct Tapping Machine

TM1100 #09300 3/4" - 1"



### Accessories - Direct Tapping

#### Combination Drill Taps

DT75 #04390 3/4" CC  
DT100 #04391 1" CC



#### Tapping Saddles

TS6 #98439 6"  
TS8 #98440 8"  
Other Sizes Available.

#### Tapping Compound

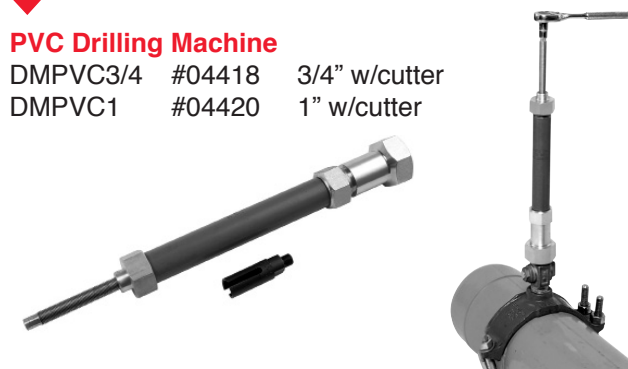
TMTC #98425 16 oz.  
TMTC8 #99139 8 oz.



### PVC Drilling Machines

#### PVC Drilling Machine

DMPVC3/4 #04418 3/4" w/cutter  
DMPVC1 #04420 1" w/cutter



### Drilling Machines for Saddle Taps

DM1100 #09302 3/4" - 1" CC  
DM2100 #09312 3/4" - 2" CC  
DM2100CCNPT #09318 3/4" + 1"CC 1 1/2" + 2"NPT  
Machines available to fit your applications and threads.



### Accessories - Drilling Machines

#### Drills for Ductile/Cast Iron

D688 #04380 3/4"  
D938 #04382 1"



#### Heavy Duty Carbide Hole Saws for Ductile/Cast Iron

HDHS1438 #04354 1 1/2" NPT & AWWA  
HDHS1875 #04356 2" AWWA



#### PVC Shell Cutters

PL688 #04385 3/4"  
PL875 #04386 1"  
PL1438 #04387 1 1/2"  
PL1750 #04392 2"



Ask REED for special tapping  
equipment needs.