



REED SWITCH DEVELOPMENTS CORP.

2524 Norwood Court
Racine, WI 53403
Ph: (262)883-9060

sales@reedswitchdevelopments.com

SPECIFICATION SHEET

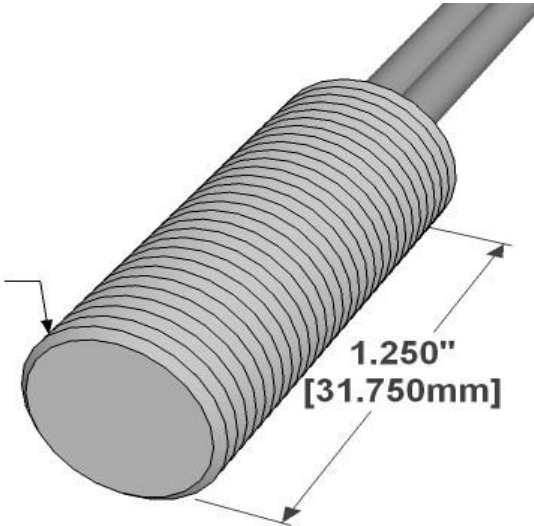
Assembly Part Number:
2602-1965-100

Reed Specifications

		Physical	
Configuration*	SPST		
Form*	A		
Contact Position	CENTER		
Glass L	19.00	mm	
Glass D	2.60	mm	
Total L*	55.00	mm	
Wire D	0.70	mm	
Gap Location	CENTER		
Mount Spec*	THRU		
Contact Material	RHODIUM		
Max Vibration Resistance	35	G	
Max Shock Resistance (11ms)	50	G	
Lead Tensile Strength	N/A	KG	
		Operating	
Pull in (+/- 2AT)*	20 - 25	AT	
Drop out*	15	AT	
Operate Time	2.00	ms	
Bounce Time	0.50	ms	
Release Time	0.10	µs	
Resonant Frequency	4200	Hz	
Max Operating Frequency	300	Hz	
Operating Temperature Range	-40 - 105	°C	
Storage Temperature	N/A	°C	
		Electrical	
DC Contact Rating	40	W	
AC Contact Rating	40	VA	
DC Switching Voltage	400	VDC	
AC Switching Voltage	400	VAC	
DC Switching Current	2.00	A	
AC Switching Current	2.00	A	
DC Max Carry Current	3.00	A	
AC Max Carry Current	3.00	A	
Min Breakdown Voltage	1000	VDC	
Max Initial Contact Resistance	80	mOhm	
Typical Initial Contact Resistance	N/A	mOhm	
Max Contact Capacitance	0.50	pF	
Min Insulation Resistance	10 ¹¹	Ohm	

* Pre-processed, bare reed element

**DIA 0.313" [7.950mm]
5/16 - 24 THREAD**



Assembly Characteristics

Housing	2602
Housing Material	303 Stainless Steel
Reed	1965
Configuration	SPST
Form	A

Wire/Cable Characteristics

Type	WIRE	
Length	6.0/152.4	in/mm
Conductor Count	2	
Colors	BLK	
Insulation Material & Description	PVC	
Gauge	24	AWG
Stranded Copper	7	STR-TC
Maximum temperature	105	°C

Standard Actuator/Minimum Make Distance

2602-4002-000 - Alnico 5 - Cylinder	.19/4.83	in/mm
-------------------------------------	----------	-------

Assembly Certifications

UL RECOGNIZED (File #: E102207)	Y	
RoHS	Y	

For More Information Visit:
www.reedswitchdevelopments.com

Or Call Us At:
262-883-9060

IT SHALL BE THE RESPONSIBILITY OF THE BUYER TO ENSURE THAT THE GOODS ARE SUFFICIENT AND SUITABLE FOR THE PURPOSE OR PURPOSES INTENDED (WHETHER BY THE BUYER OR BY ANY THIRD PARTY) AND THAT THEIR CAPACITY AND PERFORMANCE IS NOT ADVERSELY AFFECTED BY ANY ITEMS USED IN THEIR INSTALLATION (WHERE RELEVANT) AND/OR IN CONNECTION WITH THEM.