



REED SWITCH DEVELOPMENTS CORP.

2524 Norwood Court
Racine, WI 53403
Ph: (262)883-9060

sales@reedswitchdevelopments.com

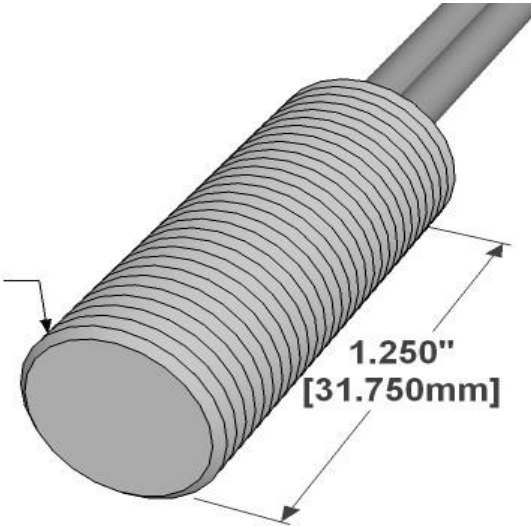
SPECIFICATION SHEET

Assembly Part Number:
2602-1051-100

Reed Specifications

Physical	Configuration*	SPST	
	Form*	A	
	Contact Position	CENTER	
	Glass L	14.50	mm
	Glass D	2.54	mm
	Total L*	46.00	mm
	Wire D	0.60	mm
	Gap Location	CENTER	
	Mount Spec*	THRU	
	Contact Material	RUTHENIUM	
	Max Vibration Resistance	10	G
	Max Shock Resistance	150	G
	Lead Tensile Strength	N/A	KG
	Operating	Pull in (+/- 2AT)*	15 - 23
Drop out*		7.5-17.5	AT
Operate Time		0.10	ms
Bounce Time		0.15	ms
Release Time		30	µs
Resonant Frequency		5100	Hz
Max Operating Frequency		N/A	Hz
Operating Temperature Range		-55 - 105	°C
Storage Temperature		N/A	°C
Electrical	DC Contact Rating	15	W
	AC Contact Rating	N/A	VA
	DC Switching Voltage	200	VDC
	AC Switching Voltage	140	VAC
	DC Switching Current	1.00	A
	AC Switching Current	1.00	A
	DC Max Carry Current	1.75	A
	AC Max Carry Current	1.75	A
	Min Breakdown Voltage	275	VDC
	Max Initial Contact Resistance	100	mOhm
	Typical Initial Contact Resistance	70	mOhm
Max Contact Capacitance	0.30	pF	
Min Insulation Resistance	10 ⁶	Ohm	

* Pre-processed, bare reed element



**DIA 0.313" [7.950mm]
5/16 - 24 THREAD**

**1.250"
[31.750mm]**

Assembly Characteristics

Housing	2602
Housing Material	303 Stainless Steel
Reed	1051
Configuration	SPST
Form	A

Wire/Cable Characteristics

Type	WIRES	
Length	6.0/152.4	in/mm
Conductor Count	2	
Colors	BLK	
Insulation Material & Description	PVC	
Gauge	24	AWG
Stranded Copper	7	STR-TC
Maximum temperature	105	°C

Standard Actuator/Minimum Make Distance

2602-4002-000 - Alnico 5 - Cylinder	.25/6.35	in/mm
-------------------------------------	----------	-------

Assembly Certifications

UL RECOGNIZED (File #: E102207)	Y	
RoHS	Y	

For More Information Visit:
www.reedswitchdevelopments.com

Or Call Us At:
262-883-9060

IT SHALL BE THE RESPONSIBILITY OF THE BUYER TO ENSURE THAT THE GOODS ARE SUFFICIENT AND SUITABLE FOR THE PURPOSE OR PURPOSES INTENDED (WHETHER BY THE BUYER OR BY ANY THIRD PARTY) AND THAT THEIR CAPACITY AND PERFORMANCE IS NOT ADVERSELY AFFECTED BY ANY ITEMS USED IN THEIR INSTALLATION (WHERE RELEVANT) AND/OR IN CONNECTION WITH THEM.