

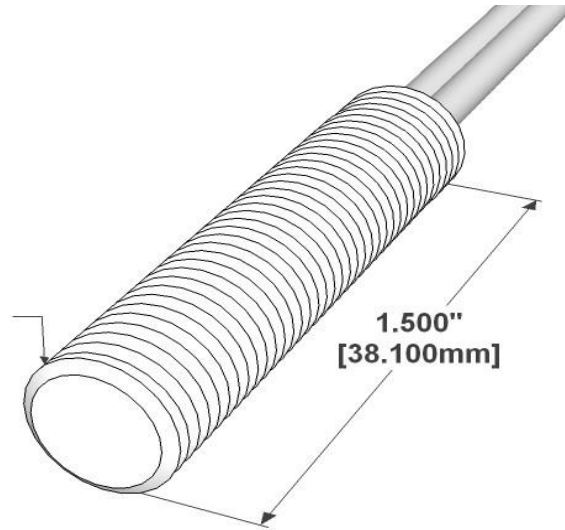
SPECIFICATION SHEET

Assembly Part Number:
2451-1965-100

Reed Specifications

Physical		Operating		Electrical	
Configuration*	SPST	Pull in (+/- 2AT)*	20 - 25	AC Contact Rating	40 VA
Form*	A	Drop out*	15	DC Switching Voltage	400 VDC
Contact Position	CENTER	Operate Time	2.00	AC Switching Voltage	400 VAC
Glass L	19.00 mm	Bounce Time	0.50	DC Switching Current	2.00 A
Glass D	2.60 mm	Release Time	0.10	AC Switching Current	2.00 A
Total L*	55.00 mm	Resonant Frequency	4200	DC Max Carry Current	3.00 A
Wire D	0.70 mm	Max Operating Frequency	300	AC Max Carry Current	3.00 A
Gap Location	CENTER	Operating Temperature Range	-40 - 105	Min Breakdown Voltage	1000 VDC
Mount Spec*	THRU	Storage Temperature	N/A	Max Initial Contact Resistance	80 mOhm
Contact Material	RHODIUM	DC Contact Rating	40 W	Typical Initial Contact Resistance	N/A mOhm
Max Vibration Resistance	35 G	AC Contact Rating	40 VA	Max Contact Capacitance	0.50 pF
Max Shock Resistance	50 G	DC Switching Voltage	400 VDC	Min Insulation Resistance	10 ¹¹ Ohm
Lead Tensile Strength	N/A KG	AC Switching Voltage	400 VAC		

DIA 0.313" [7.950mm]
 5/16 - 24 THREAD



Assembly Characteristics

Housing	2451
Housing Material	ANODIZED AL (T6/6061)
Reed	1965
Configuration	SPST
Form	A

Wire/Cable Characteristics

Type	WIRE
Length	18.0/457.2 in/mm
Conductor Count	2
Colors	BLK
Insulation Material & Description	PVC
Gauge	24 AWG
Stranded Copper	7 STR-TC
Maximum temperature	105 °C

Standard Actuator/Minimum Make Distance

2451-4006-000 - Alnico 5 - Cylinder	.19/4.83	in/mm
-------------------------------------	----------	-------

Assembly Certifications

UL RECOGNIZED (File #: E102207)	Y	
RoHS	Y	

For More Information Visit:
www.reedswitchdevelopments.com

Or Call Us At:
 262-883-9060

IT SHALL BE THE RESPONSIBILITY OF THE BUYER TO ENSURE THAT THE GOODS ARE SUFFICIENT AND SUITABLE FOR THE PURPOSE OR PURPOSES INTENDED (WHETHER BY THE BUYER OR BY ANY THIRD PARTY) AND THAT THEIR CAPACITY AND PERFORMANCE IS NOT ADVERSELY AFFECTED BY ANY ITEMS USED IN THEIR INSTALLATION (WHERE RELEVANT) AND/OR IN CONNECTION WITH THEM.

* Pre-processed, bare reed element