

5

4

3

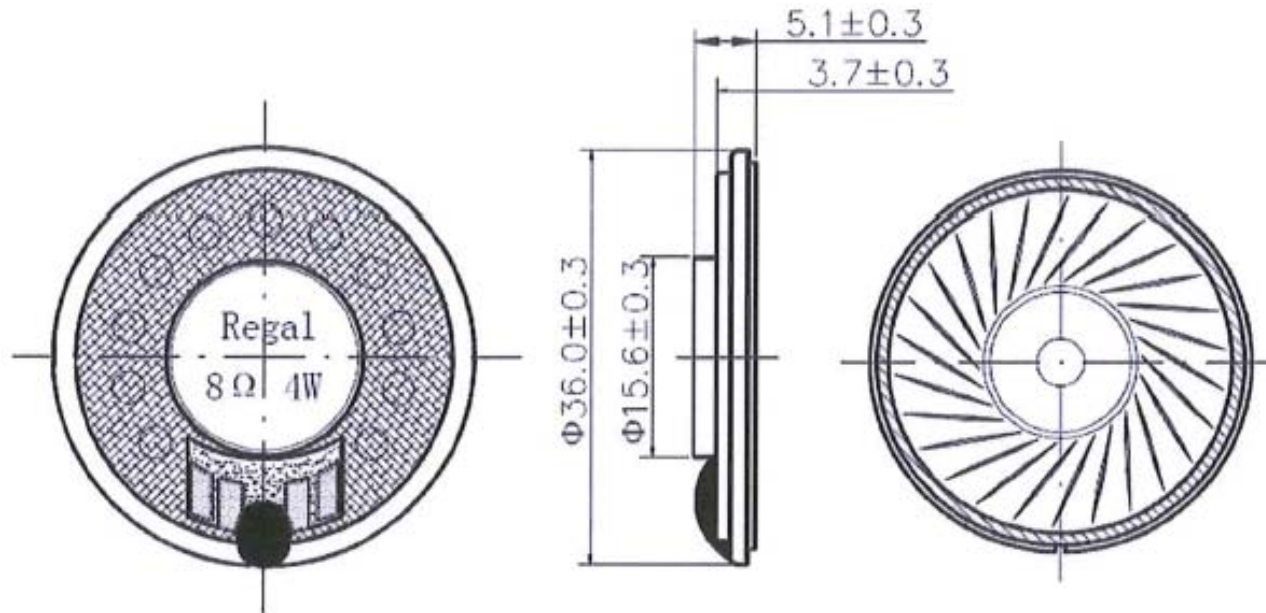
2

1

DWG NO. RSH-36-EMNL

RoHS COMPLIANT

REV	ECO NO.	DATE	BY	APP'D
A	REL TO PRODUCTION PER ECO 001	11/1/13	KL	



Tolerance ± 0.3 mm UNIT: mm

SPECIFICATION:

Rated Impedance	8 Ohms $\pm 15\%$
Rated Power	4W Max. 5W
Resonant Frequency	600Hz $\pm 20\%$
Effective Freq. Range	350~20K Hz
SPL (at 0.1w, 0.1m)	91 ± 3 dB
Operating Temperature	-20°C~+60°C
Storage Temperature	-20°C~+60°C

CONFIDENTIAL

© Copyright 2013 Regal Electronics, Inc. This drawing is the property of Regal Electronics and contains confidential information, trade secret information and/or know-how which is the property of Regal Electronics. By accepting this drawing, the recipient agrees not to provide, or otherwise make available, the drawing or any information or know-how embodied therein, to any third party without prior written authorization.



DRAWN: KIM	DATE 11/1/13	TITLE: HIGH POWER MINIATURE SPEAKER	
CHECKED:	DATE		
ENGINEER:	DATE		
APPROVED:	DATE		
APPROVED:	DATE	SIZE B	DRAWING NO. RSH-36-EMNL
APPROVED:	DATE	SCALE: NONE	REV A
		SHEET 1 OF 1	

5

4

3

2

1

C-RSH-36-EMNL