

5

4

3

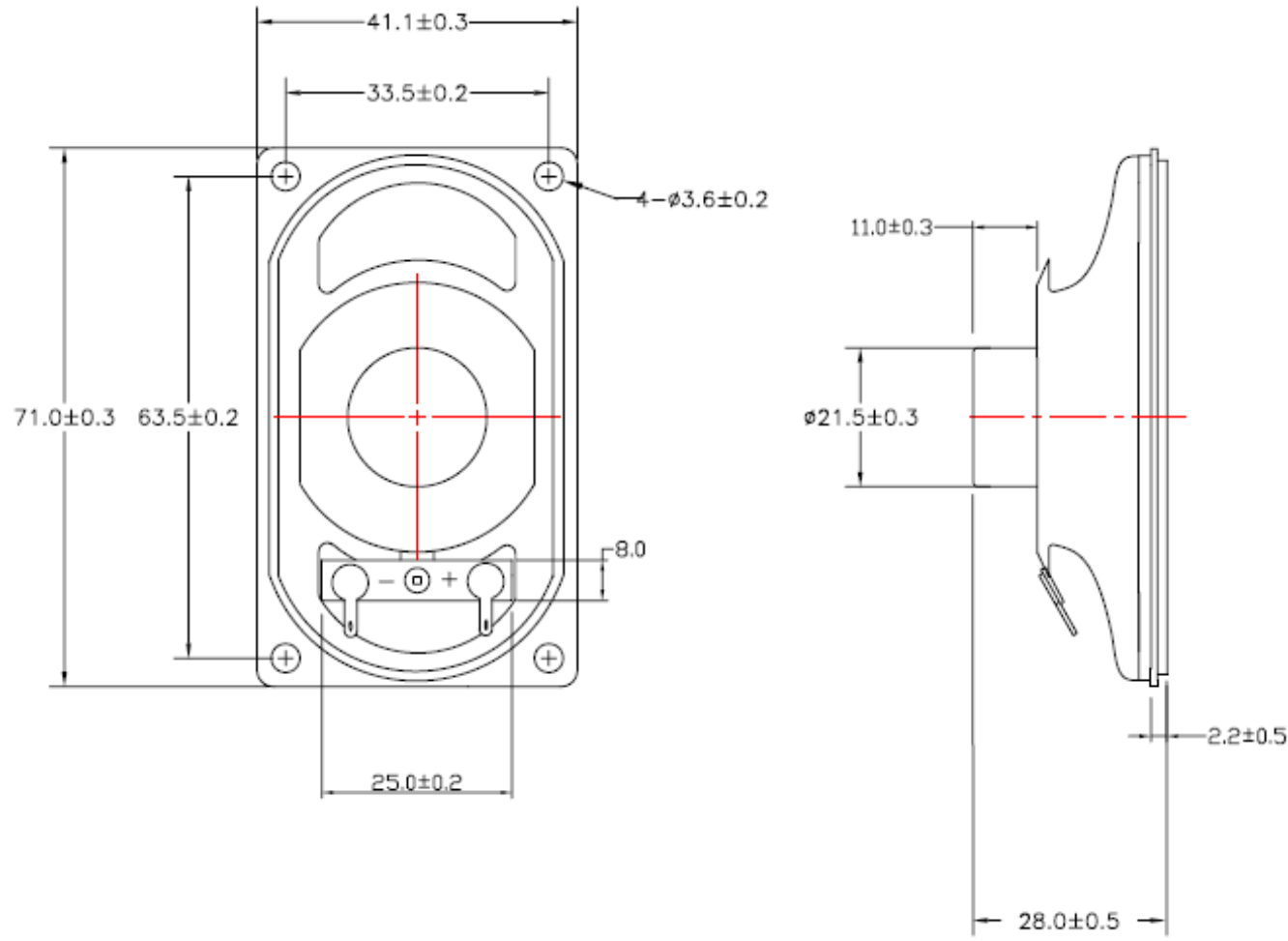
2

1

DWG NO. O-4070-ENL

RoHS COMPLIANT

REV	ECO NO.	DATE	BY	APP'D
A	REL TO PRODUCTION PER ECO 001	1/4/11	KL	



Tolerance ±0.3mm UNIT: mm

SPECIFICATION:

Rated Impedance	8 Ohms ±15%
Rated Power	2W Max. 3W
Resonant Frequency	380Hz ±20%
Effective Freq. Range	250~20K Hz
SPL (at 1w, 1m)	87±3 dB
Operating Temperature	-20°C~+70°C
Storage Temperature	-30°C~+80°C

CONFIDENTIAL



© Copyright 2011 Regal Electronics, Inc. This drawing is the property of Regal Electronics and contains confidential information, trade secret information and/or know-how which is the property of Regal Electronics. By accepting this drawing, the recipient agrees not to provide, or otherwise make available, the drawing or any information or know-how embodied therein, to any third party without prior written authorization.

DRAWN: KIM	DATE 1/4/11	TITLE: OVAL SPEAKER	
CHECKED:	DATE		
ENGINEER:	DATE		
APPROVED:	DATE		
APPROVED:	DATE	SIZE B	DRAWING NO. O-4070-ENL
APPROVED:	DATE	SCALE: NONE	REV A
		SHEET 1 OF 1	

5

4

3

2

1

O-4070-ENL

A