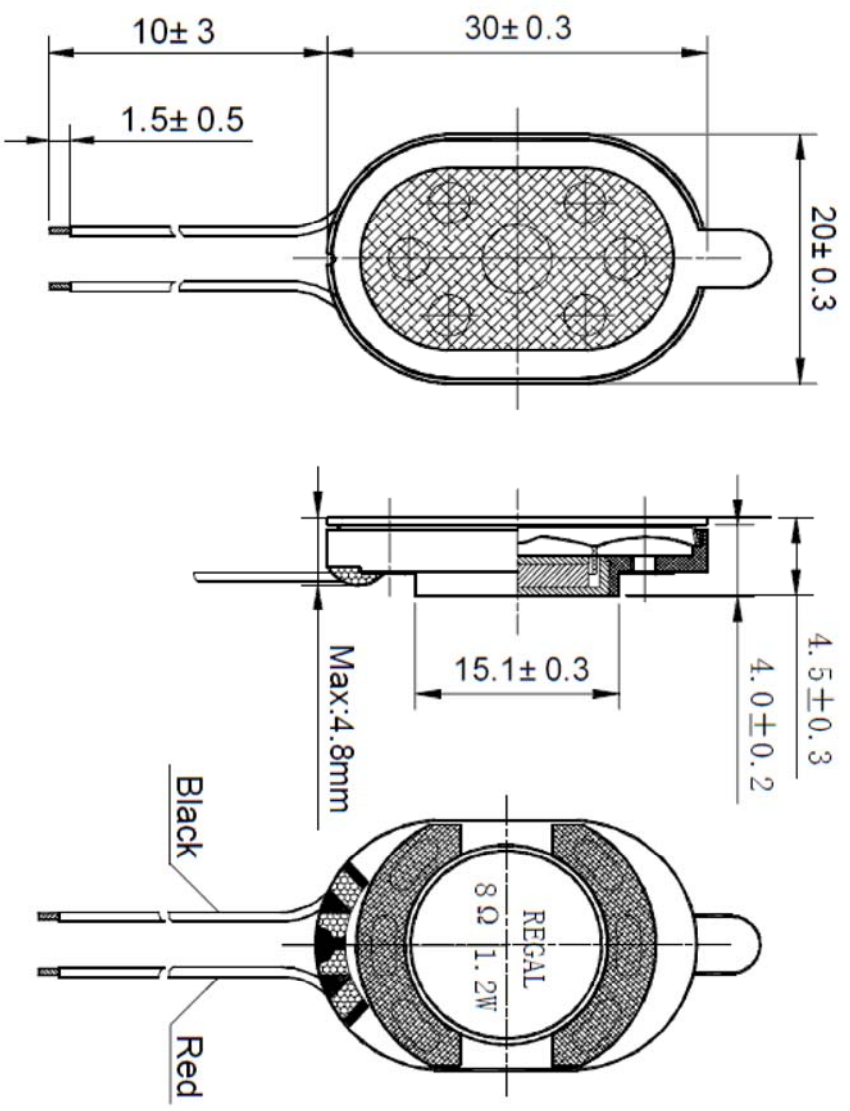


5 4 3 2 1

ROHS COMPLIANT

REV	ECO NO.	DATE	BY	APP'D
A	REL TO PRODUCTION PER ECO 001	9/30/14	KL	

DWG NO. RSA-3020V45-NL



Tolerance $\pm 0.3 \text{ mm}$ UNIT: mm

SPECIFICATION:

- Rated Impedance: 8 Ohms $\pm 15\%$
- Rated Power: 1.2W Max. 1.5W
- Resonant Frequency: 810Hz $\pm 20\%$
- Effective Freq. Range: 500~10K Hz
- SPL (at 0.1w, 0.1m): 90 ± 3 dB
- Operating Temperature: $-40^{\circ}\text{C} \sim +66^{\circ}\text{C}$
- Storage Temperature: $-40^{\circ}\text{C} \sim +66^{\circ}\text{C}$

CONFIDENTIAL

© Copyright 2014 Regal Electronics, Inc. This drawing is the property of Regal Electronics and contains confidential information, trade secret information and/or know-how which is the property of Regal Electronics. By accepting this drawing, the recipient agrees not to provide, or otherwise make available, the drawing or any information or know-how embodied therein, to any third party without prior written authorization.

DRAWN: KIM	DATE: 9/30/14	TITLE: MINI OVAL SPEAKER
CHECKED:	DATE:	SIZE: B
ENGINEER:	DATE:	DRAWING NO. RSA-3020V45-NL
APPROVED:	DATE:	SCALE: NONE
APPROVED:	DATE:	SHEET 1 OF 1
APPROVED:	DATE:	REV: A



A B C D

5

4

3

2

1

A B C D

C-RSA-3020V45-NL