

5

4

3

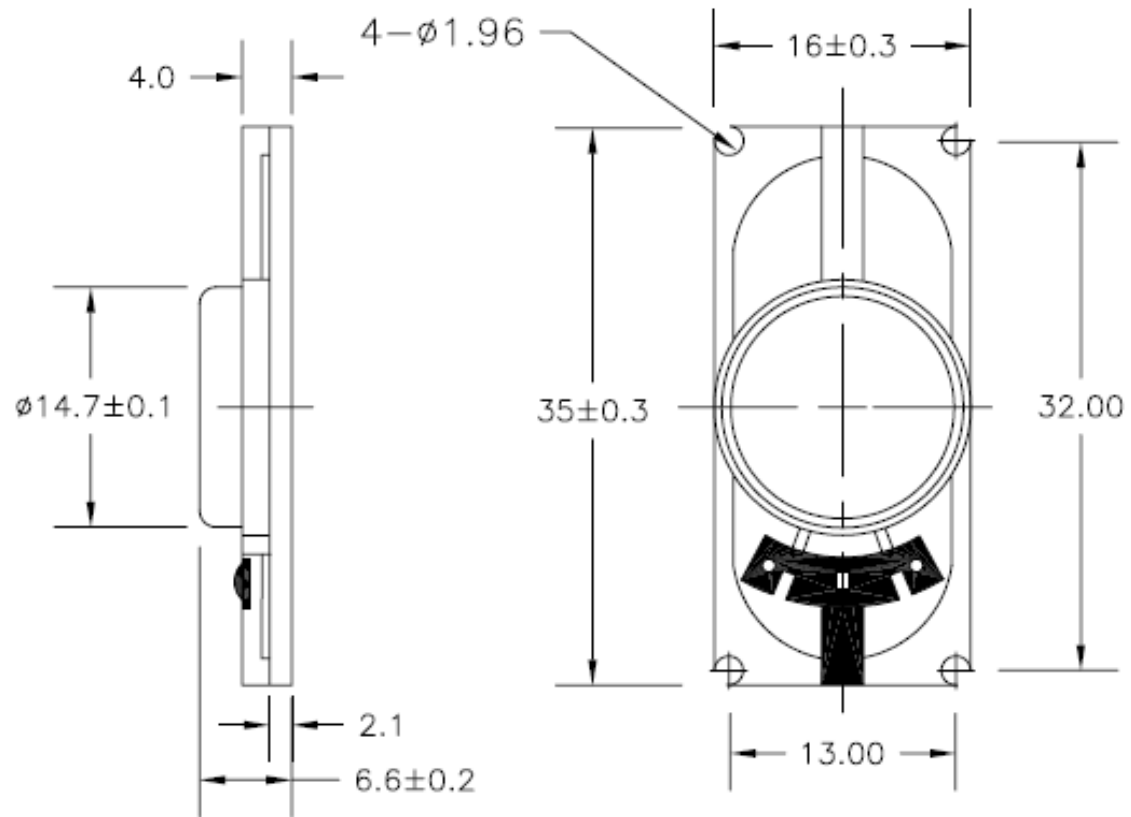
2

1

DWG NO. RHO-1635-ENL

RoHS COMPLIANT

REV	ECO NO.	DATE	BY	APP'D
A	REL TO PRODUCTION PER ECO 001	9/22/08	KL	



Tolerance  $\pm 0.3\text{mm}$  UNIT: mm

SPECIFICATION:

Rated Impedance	8 Ohms $\pm 15\%$
Rated Power	1.5W Max. 2W
Resonant Frequency	600Hz $\pm 20\%$
Effective Freq. Range	430~20K Hz
SPL (at 1w, 1m)	80 $\pm 3$ dB
Operating Temperature	-20°C~+70°C
Storage Temperature	-30°C~+80°C

CONFIDENTIAL



© Copyright 2008 Regal Electronics, Inc. This drawing is the property of Regal Electronics and contains confidential information, trade secret information and/or know-how which is the property of Regal Electronics. By accepting this drawing, the recipient agrees not to provide, or otherwise make available, the drawing or any information or know-how embodied therein, to any third party without prior written authorization.

DRAWN: KIM	DATE: 9/22/08	TITLE: HIGH POWER MICRO SPEAKER OVAL	
CHECKED:	DATE:		
ENGINEER:	DATE:		
APPROVED:	DATE:		
APPROVED:	DATE:	SIZE: B	DRAWING NO. RHO-1635-ENL
APPROVED:	DATE:	SCALE: NONE	REV: A
		SHEET 1 OF 1	

5

4

3

2

1

D

C

B

A

D

C

B

C-RHO-1635-ENL

A