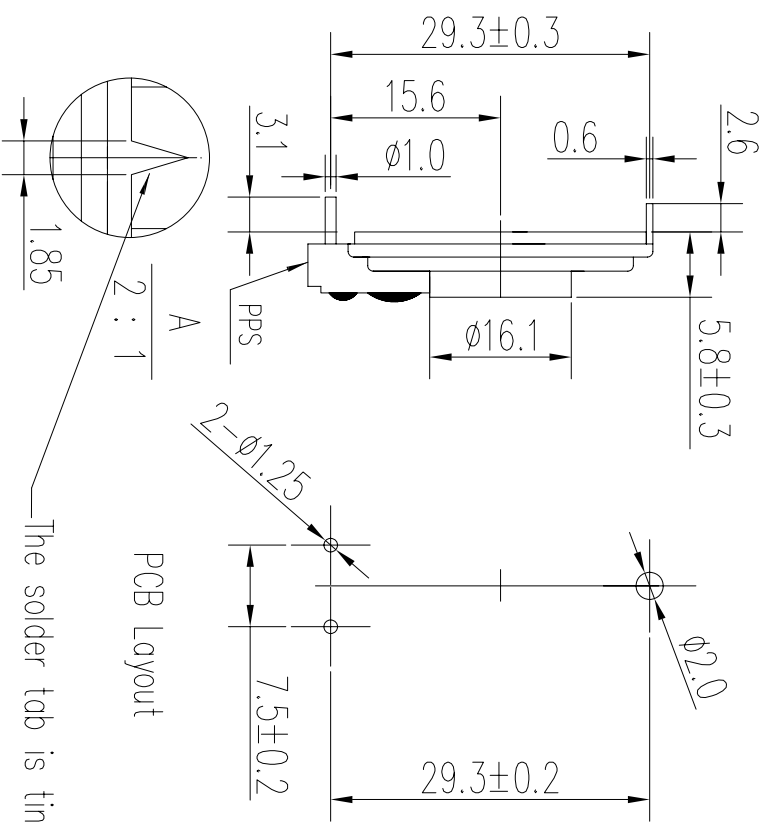
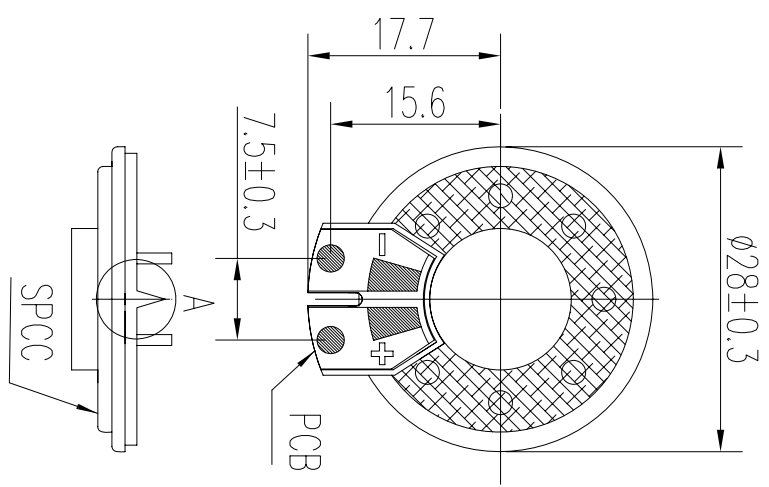


RoHS Compliant

REV	ECO NO.	DATE	BY	APP'D
A	REL TO PRODUCTION PER ECO 001	12/8/10	KL	



The solder tab is tin plated over nickel

Tolerance:  
X.X ±0.5  
X.XX ±0.3

UNIT: mm

- Rated Impedance: 8 Ohms ±15%
- Rated Power: 1.0W
- Max. Power Input: 1.5W
- Resonant Frequency: 500±20%Hz
- Effective Freq. Range: 280-18K Hz
- SPL (dB): 82±3
- Magnet Type: NdFeB
- Cone Material: Standard Mylar
- Mount Feet(1): Metal, Tin plated over nickel
- Pins(2): Tinned Copper
- Operating Temperature (°C): -10~+40

CONFIDENTIAL

© Copyright 2010 Regal Electronics, Inc. This drawing is the property of Regal Electronics and contains confidential information, trade secret information and/or know-how which is the property of Regal Electronics. By accepting this drawing, the recipient agrees not to provide, or otherwise make available, the drawing or any information or know-how embodied therein, to any third party without prior written authorization.

DRAWN: KIM	DATE: 12/8/10	TITLE: PCB MOUNT SPEAKER
CHECKED:	DATE:	SIZE: B
ENGINEER:	DATE:	DRAWING NO.: RC-2808LNL
APPROVED:	DATE:	SCALE: NONE
APPROVED:	DATE:	REV: A
APPROVED:	DATE:	SHEET: 1 OF 1

