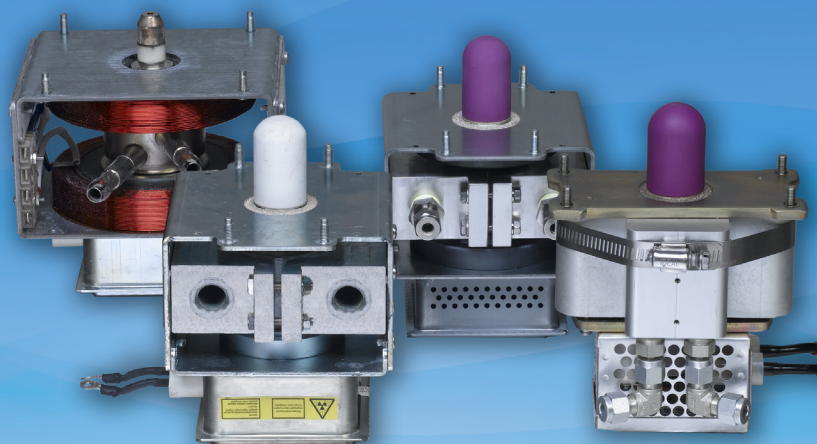


2450MHz Magnetron Selection Guide

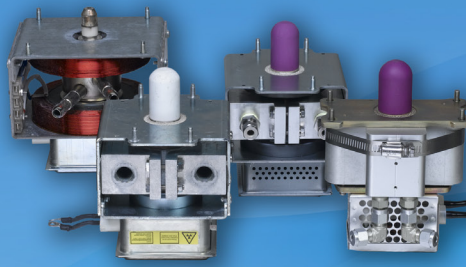


Types Recommended for New Equipment Design

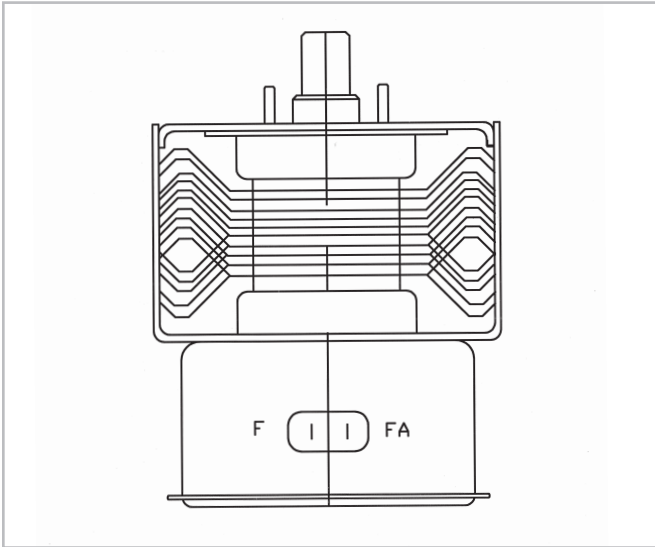
10 - 15kW, 2450MHz, CW Magnetrons				
Output (kW)	Part Number	Cooling	Mounting Configuration	Comments
15	NL15245	Water	-	Requires separate electromagnet*
10	NL10245		-	Requires separate electromagnet*
10	NL10270		NIL	Water-block w/tube fittings (φ 10x8)
				*See "Accessory Section" for part numbers
5 - 6kW, 2450MHz, CW Magnetrons				
6	YJ1600	Water	NIL	Integral electromagnet
6	NL10260		NIL	Permanent magnet
6	AM3881-01		NIL	Permanent magnet
5	H3891		NIL	Permanent magnet
1.5 - 3kW, 2450MHz, CW Magnetrons				
3	NL10230-1A	Water	NIL	Water-coil w/hose barb fitting
3	NL10230-6	Water	IL	Water-block w/ 3/8" SS-600-9 fittings
3	NL10230-5	Air	IL	
2	NL10250-3A	Water	NIL	Water-coil w/hose barb fitting
2	NL10250-7	Water	IL	Water-coil w/hose barb fitting
2	NL10250-1	Air	IL	
2	NL10250-2	Air	NIL	
1.6	NL10251-2	Air	IL	
1.5	NL10259-4	Water	IL	Water-coil w/hose barb fitting
1.5	NL10254-IL	Air	IL	
1.5	NL10254-1-NIL	Air	NIL	
.1 - 1.2kW, 2450MHz, CW Magnetrons				
1.2	YJ1540-1	Water	IL	Water-coil w/hose barb fitting
1.2	YJ1540	Air	IL	
1.0	NL10246-1	Air	IL/NIL	
1.0	NL10246-3	Air	NIL	
1.0	NL10246-23	Air	IL	
0.88	2M107A-605	Air	IL/NIL	
0.88	2M107A-795	Air	IL	
0.88	2M107A-825	Air	NIL	
0.30	YJ1530SP	Air	IL/NIL	Integral electromagnet

High-Power Magnetron Accessories

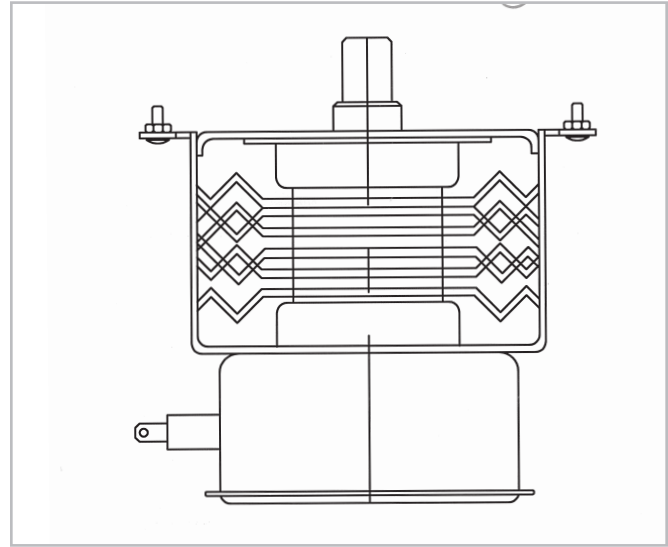
Description	Part Number
Electromagnet	NL20245M-1
Waveguide Launcher	NL20245L-1
Upper/Lower Pole Piece	NL20245POLE-1
Filament Connector	NL20245-CONN



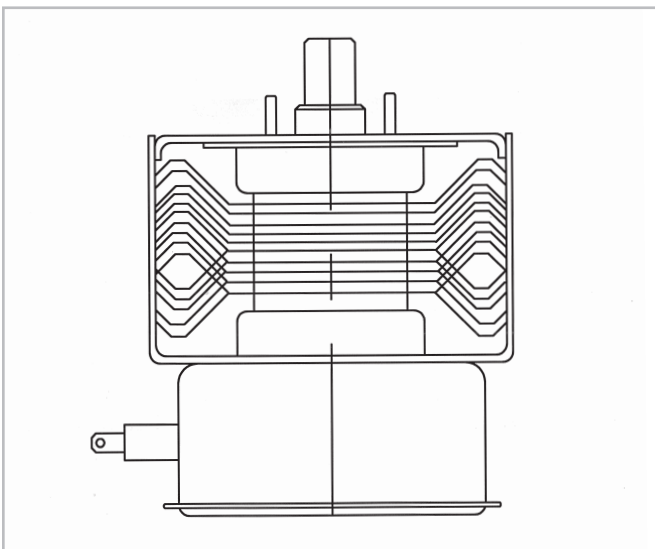
Mounting Configuration



IL (H)
Mounting and airflow are in-line (IL) with connector.



IL/NIL (K)
Mounting is in-line (IL) with connector.
Airflow is not-in-line (NIL) with connector.



NIL (J)
Mounting and airflow are not-in-line (NIL) with connector.