

Battery Holders

Packaging options

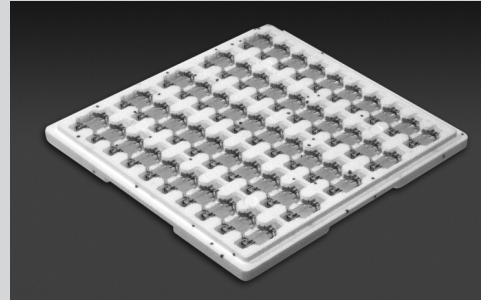
Battery holders can be supplied in different packaging

Industrial Bulk multi-cell trays

Packaging Code: **IB**

Industrial Bulk packaging is the standard packaging for manufacturers.

The number of battery holders per tray depends on the respective model. So does the number of trays per shrink pack.



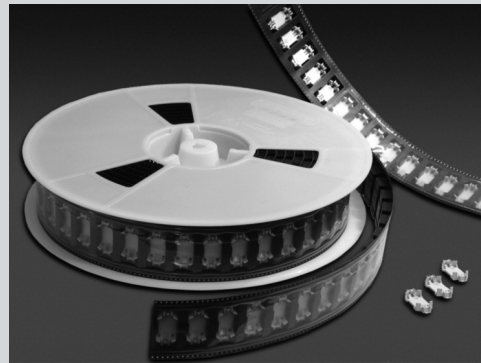
Tape&Reel packaging

Packaging Code: **TR**

For SMT-battery holders there is a Tape&Reel packaging solution available.

Tape&Reel packaging is ideal for high-speed, automated manufacturing lines.

The number of battery holders per reel depends on the respective model.



Quantity per reel:

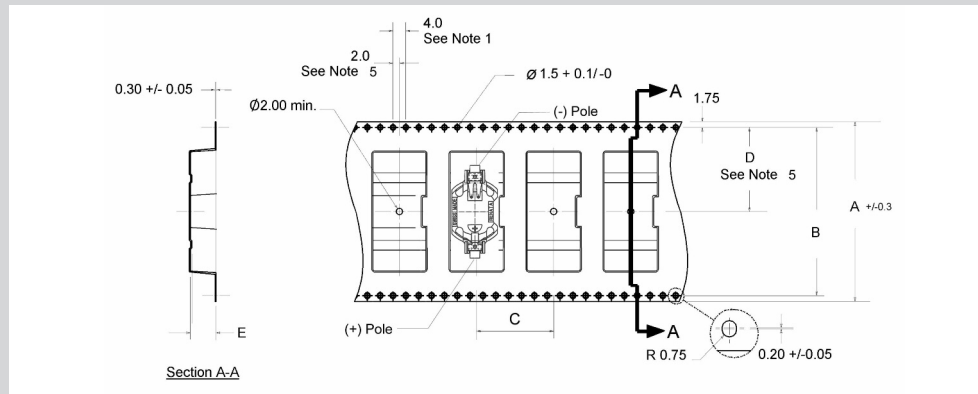
Model	Quantity per Reel	Part.No.*
SMTU1225-LF TR	750 pieces	701230
SMTU1632-LF TR	520 pieces	701231
SMTU2032-LF TR	485 pieces	701232
SMTU2430-LF TR	490 pieces	701233
SMTU2450N-LF TR	350 pieces	701234
SMTU2477N-LF TR	250 pieces	701235
SM2X2016-LF TR	485 pieces	701236

*Packaging: Tape&Reel (TR)

Battery Holders

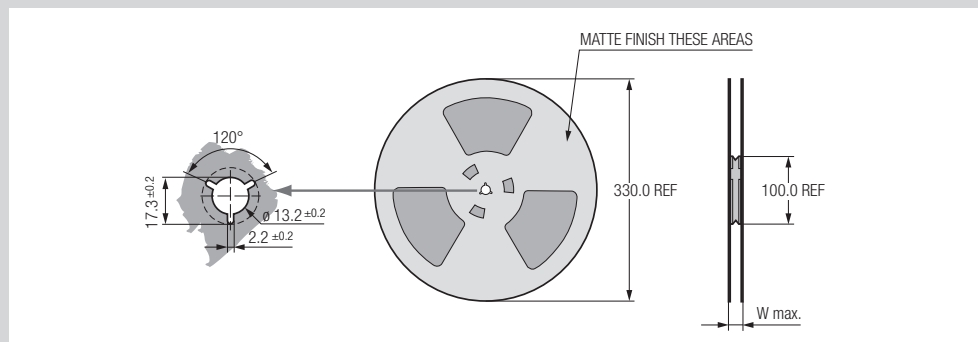
Packaging options

Dimensions of antistatic carrier tapes:



Model	Dimensions (mm)				
	A	B	C	D	E
SMTU1225-LF	44.0	40.4	16.0	20.2	5.7
SMTU1632-LF	44.0	40.4	20.0	20.2	6.1
SMTU2032-LF	44.0	40.4	24.0	20.2	6.0
SMTU2430-LF	56.0	52.4	24.0	26.2	5.7
SMTU2450N-LF	56.0	52.4	24.0	26.2	8.2
SMTU2477N-LF	56.0	52.4	24.0	26.2	10.8
SM2x2016-LF	44.0	40.4	24.0	20.2	6.0

Dimensions of antistatic packaging reels



Model	Dimensions (mm)
	W max.
SMTU1225-LF	50 ±1.0
SMTU1632-LF	50 ±1.0
SMTU2032-LF	50 ±1.0
SMTU2430-LF	50 ±1.0
SMTU2450N-LF	62 ±1.0
SMTU2477N-LF	62 ±1.0
SM2x2016-LF	50 ±1.0

- 10 sprocket hole pitch cumulative tolerance +/- .02
- Camber not to exceed 1mm in 100 mm
- Material: Black Conductive Advantek Polystyrene
- E measured from a plane on the inside bottom of the pocket to the top surface of the carrier
- Pocket position relative to sprocket hole measured as true position of pocket, not pocket hole

All packaging materials comply with relevant EIA, EIAJ and IEC specifications.