

Styli for Zeiss applications



Contents

	Page
Renishaw M5 styli, adaptors and accessories for Zeiss analogue probe systems	5
Styli with conical stem base	5
Adaptor with thread/conical stem base	5
Conical holder, stainless steel	6
Tungsten carbide styli	6
Tungsten carbide styli with silicon nitride ball	7
Reference styli (red dot)	8
Carbon fibre styli, thermostable	8
Carbon fibre styli thermostable with silicon nitride ball	9
Ceramic styli	9
Small ball styli, stepped stem	10
Small ball styli	10
Cube star	11
Styli for thread measuring	11
Long threaded styli, thread length 12.5 mm	12
Long threaded styli, thread length 5 mm	12
Flat washer for star styli	13
Grooved washer for star styli	13
Tungsten carbide pin for star styli	14
Rotary adaptor	14
Holder 90 degree, offset	14
Rotary knuckle, slewing range 360 degrees, swing range 180 degrees	15
Holder 90 degrees	15
5 way holder	16
Styli for holder	16
Holder for swivel styli	17
Styli for swivelling components	17
Star styli	18
Reference sphere with stem	18
Spherical disc styli	19
Extensions, aluminium	19

Extensions, stainless steel	19
Extensions, titanium	20
Extensions, black carbon fibre thermostable	21
Adaptor plate extension for MT/VAST	22
Cubes, titanium	23
Cubes, aluminium	23
Double cubes, titanium	23
Spherical disk	24
Hole location gauge	24
Star styli	25
Pointer styli	25
Cube extension	25
Knuckle, swing range 180 degrees	26
Bolts for spherical disc and cube	26
Bolts for cubes	27
Adaptor	27
Holder for digitilisation styli	28
Renishaw adaptor plates for Zeiss probe heads	29
Adaptor plate for dynamic systems (ST)	29
Adaptor plates for Prismo dynamic systems (ST)	29
Adaptor plate for measuring systems MT VAST	30
Adaptor plate for XXT TL1	30
Adaptor plate for XXT TL2	31
Adaptor plate for XXT TL3	31
VAST XXT TL1 with star adaptor	32
VAST XXT TL3 with star adaptor	32
Renishaw M3 styli, adaptors and accessories for Zeiss analogue probe systems	33
Carbide styli XXT	33
Reference styli XXT (red dot)	34
Carbon fibre styli XXT thermostable	34
Carbon fibre styli XXT thermostable with silicon nitride ball	35
Carbon fibre clamping styli XXT, thermostable	35
Carbon fibre clamping styli XXT, thermostable with silicon nitride ball	35

1/4 Star styli carbon fibre XXT thermostable	36
1/4 Star styli carbon fibre XXT thermostable with silicon nitride ball	36
1/4 Star styli carbon fibre XXT thermostable 90 degrees	37
1/2 Star styli carbon fibre XXT thermostable 90 degree with silicon nitride ball	37
1/2 Star styli carbon fibre XXT thermostable 180 degrees	38
1/2 Star styli carbon fibre XXT thermostable 180 degrees with silicon nitride ball	38
Extension XXT	38
Clamping screw XXT	39
Clamping screw XXT, with internal thread M3	39
Cube XXT 90 degrees, 1 way	39
Cube XXT 180 degrees, 2 ways	40
Cube star XXT	40
Cube XXT, 6 star	41
Cube XXT, 8 star	41
Knuckle XXT	42
Tungsten carbide styli	42
Ceramic styli	43
Stainless steel extension	43
Renishaw M2 styli, adaptors and accessories for Zeiss analogue probe systems	44
Ceramic styli	44
Tungsten carbide styli	44
Steel styli	45
Star styli	45
Styli for star configuration	46
Spherical disc styli	46
Spherical disc styli	47
Pointer styli	47
Stainless steel extension	47
5-way holder, rotary	48
5-way holder	48

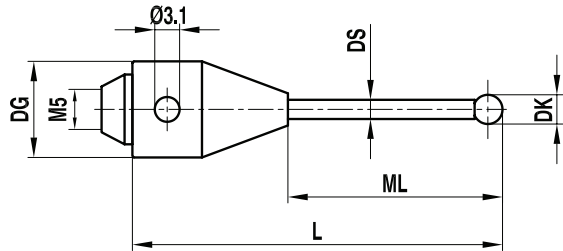
Renishaw tools and accessories for assembly of M2, M3 and M5 styli to Zeiss measuring probe heads		49
Stylus tool (M2 and M3 styli)		49
Allen keys DIN 911		49
Toolkit		49
Stylus tool kit		49
Stylus tool 1.7 for M5.		49
Pin-type spanner 2.9 for M5		49
Assortment of screws		50
Spring-lock washers, consisting of 10 x FS 5.7 spring-lock washers		50
C spanners DIN 1810.		50

Renishaw M5 styli, adaptors and accessories for Zeiss analogue probe systems



**Part and description
(schematic not shown to scale)**

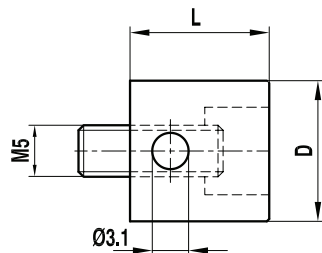
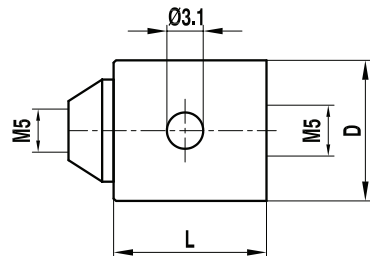
Styli with conical stem base.
M5 thread, titanium base, tungsten carbide stem, ruby ball.



Item number	Renishaw part number	Zeiss part number	DK (mm)	ML1/ML (mm)	DG/D (mm)	L (mm)	DS1/DS (mm)	EAL/B (mm)	Weight (g)
1	A-5555-0001	600331-9096	3	21.5	19	50	2		23
2	A-5555-0002	602030-9003	3	35	19	75	2		30
3	A-5555-0003	602030-9004	3	50	19	75	2		22
4	A-5555-0004	600331-9098	3	18	19	115	2		56
5	A-5555-0005	602030-9005	5	35	19	75	3.5		34
6	A-5555-0006	602030-9006	5	50	19	75	3.5		28
7	A-5555-0007	602030-9007	5	60	19	100	3.5		38
8	A-5555-0008	600331-9097	8	57	19	80	6		45
9	A-5555-0009	600331-9099	8	60	19	100	6		57
10	A-5555-0010	602030-9008	8	56.5	19	115	6		68
11	A-5555-0011	602030-9009	8	100	19	140	6		74

**Part and description
(schematic not shown to scale)**

Adaptor with thread / conical stem base.
M5 thread, stainless steel.

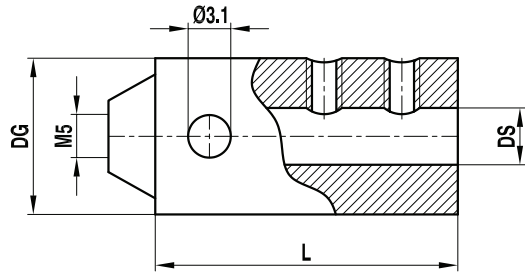


Item number	Renishaw part number	Zeiss part number	DK (mm)	ML1/ML (mm)	DG/D (mm)	L (mm)	DS1/DS (mm)	EAL/B (mm)	Weight (g)
1	A-5555-0013	600331-0001			18	10			12
2	A-5555-0014	602030-0018			18	12			10

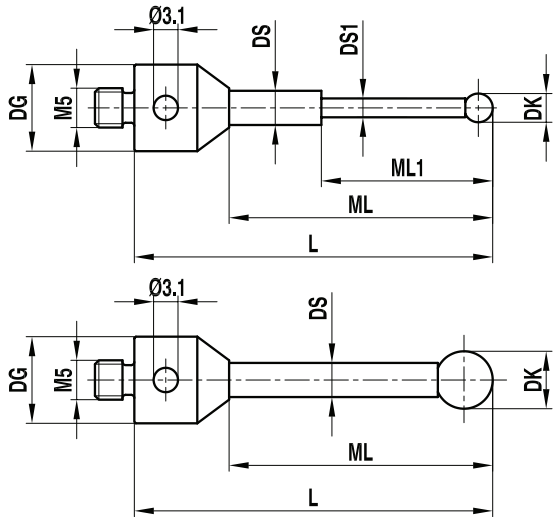
Renishaw M5 styli, adaptors and accessories for Zeiss analogue probe systems



Part and description (schematic not shown to scale)	Item number	Renishaw part number	Zeiss part number	DK (mm)	ML1/ML (mm)	DG/D (mm)	L (mm)	DS1/DS (mm)	EAL/B (mm)	Weight (g)
M5 conical holder, stainless steel. M5 thread, stainless steel.	1	A-5555-0015	602030-8350			19	24	2		29
	2	A-5555-0016	602030-8351			19	24	3.5		29
	3	A-5555-0017	602030-8352			19	24	6		29



Part and description (schematic not shown to scale)	Item number	Renishaw part number	Zeiss part number	DK (mm)	ML1/ML (mm)	DG/D (mm)	L (mm)	DS1/DS (mm)	EAL/B (mm)	Weight (g)
Carbide styli. M5 thread, titanium base, tungsten carbide stem, ruby ball.	1	A-5555-0018	602030-9010	3	15	11	25	2		4
	2	A-5555-0019	600342-8020	3	23.5	11	33.5	2		4.5
	3	A-5555-0020	602030-9011	3	40	11	50	2		5.2
	4	A-5555-0021	600342-8021	3	48	11	58	2		5.5
	5	A-5555-0022	600342-8025	4	23.5	11	33.5	2		4.5
	6	A-5555-0023	602030-9012	4	54	11	64	2		5.9
	7	A-5555-0024	602030-9013	5	40	11	50	3.5		9
	8	A-5555-0025	600342-8022	5	43	11	53	3.5		9.8
	9	A-5555-0026	602030-9015	5	65	11	75	3.5		12.5
	10	A-5555-0027	600342-8026	6	44	11	54	3.5		10
	11	A-5555-0028	600342-8027	7	45	11	55	3.5		10
	12	A-5555-0029	600342-8023	8	50.5	11	63.5	6		24.8
	13	A-5555-0030	600342-8123	8	41.5	19	63.5	6		36.7
	14	A-5555-0031	602030-9014	8	61	11	74	6		29.5
	15	A-5555-0032	602030-9016	8	62	11	75	6		30
	16	A-5555-0033	602030-9017	8	87	11	100	6		40
	17	A-5555-0034	600342-8024	8	101.5	11	114.5	6		45.8
	18	A-5555-0035	600342-8124	8	92.5	19	114.5	6		57.5
	19	A-5555-0036	600342-8028	9	51.5	11	64.5	6		26.3
	20	A-5555-0037	600342-8128	9	42.5	19	64.5	6		36.8
	21	A-5555-0038	600342-8029	10	52.5	11	65.5	6		25.8
	22	A-5555-0039	600342-8129	10	43.5	19	65.5	6		37.8
	23	A-5555-0040	602030-9018	10	105	11	118	6		47.3

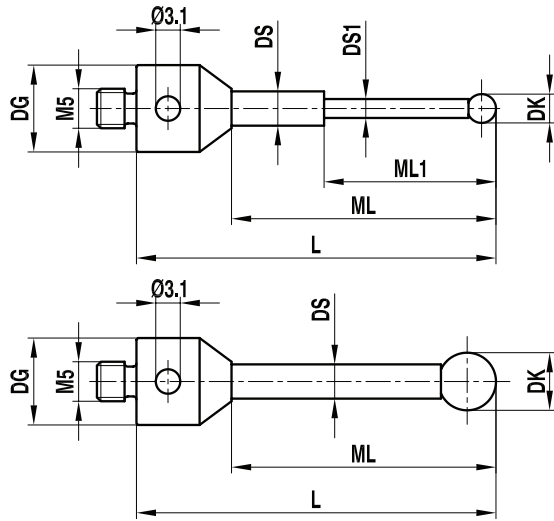


Renishaw M5 styli, adaptors and accessories for Zeiss analogue probe systems



**Part and description
(schematic not shown to scale)**

Tungsten carbide styli with silicon nitride ball.
M5 thread, titanium base, tungsten carbide stem,
silicone nitride ball.



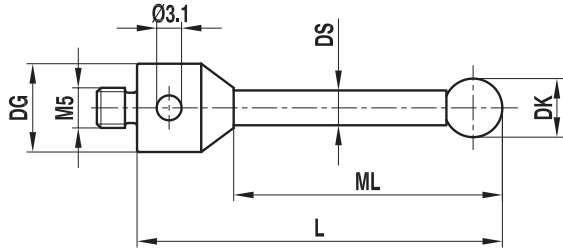
Item number	Renishaw part number	Zeiss part number	DK (mm)	ML1/ML (mm)	DG/D (mm)	L (mm)	DS1/DS (mm)	EAL/B (mm)	Weight (g)
1	A-5555-3777		1	5.0/10.0	11	20	0.8/1.0		3.5
2	A-5555-3778		1	5.0/15.0	11	25	0.8/1.0		3.5
3	A-5555-3779		1	5.0/20.0	11	30	0.8/1.0		3.8
4	A-5555-3780		1.5	8.0/20.0	11	30	1.0/1.5		3.5
5	A-5555-3781		2	10	11	20	1		3.5
6	A-5555-3782		2	15	11	25	1		3.5
7	A-5555-3783		2	20	11	30	1.5		3.8
8	A-5555-3784		2	30	11	40	1.5		4
9	A-5555-3785	626115-0303-025	3	15	11	25	2		4
10	A-5555-3786	626115-0300-033	3	23.5	11	33.5	2		4.5
11	A-5555-3787	626115-0302-050	3	40	11	50	2		5.3
12	A-5555-3734	626115-0300-058	3	48	11	58	2		5.5
13	A-5555-3788	626115-0400-034	4	23.5	11	33.5	2		4.5
14	A-5555-3789	626115-0401-064	4	54	11	64	2		5.9
15	A-5555-3790		5	20	11	30	3.5		8
16	A-5555-3791	626115-0501-050	5	40	11	50	3.5		9
17	A-5555-3792	626115-0501-053	5	43	11	53	3.5		9.8
18	A-5555-3793	626115-0500-075	5	65	11	75	3.5		12.5
19	A-5555-3794		5	90	11	100	3.5		18
20	A-5555-3795		6	44	11	54	3.5		10
21	A-5555-3796		7	45	11	55	3.5		10
22	A-5555-3797	626115-0800-064	8	50.5	11	63.5	6		36.6
23	A-5555-3798	626115-0800-075	8	62	11	75	6		29.4
24	A-5555-3799	626115-0801-100	8	87	11	100	6		39.9
25	A-5555-3800	626115-0800-115	8	101.5	11	114.5	6		45.7
26	A-5555-3801		9	51.5	11	64.5	6		26.3
27	A-5555-3802		10	52.5	11	65.5	6		25.8
28	A-5555-3803		10	105	11	118	6		47.3
29	A-5555-3804		10	135	11	150	6		60

Renishaw M5 styli, adaptors and accessories for Zeiss analogue probe systems



**Part and description
(schematic not shown to scale)**

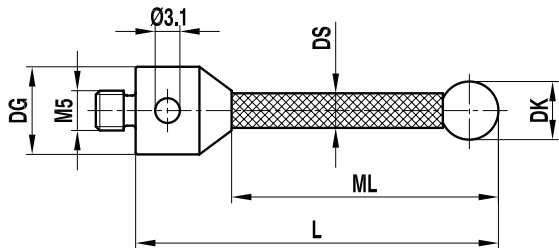
Reference styli (red dot).
M5 thread, base and stem high strength stainless steel, ruby ball.



Item number	Renishaw part number	Zeiss part number	DK (mm)	ML1/ML (mm)	DG/D (mm)	L (mm)	DS1/DS (mm)	EAL/B (mm)	Weight (g)
1	A-5555-3805	600342-8023-010	8	50.5	11	63.5	6		24.8

**Part and description
(schematic not shown to scale)**

Carbon fibre styli, thermostable.
M5 thread, titanium base, carbon fibre stem thermostable, ruby ball.



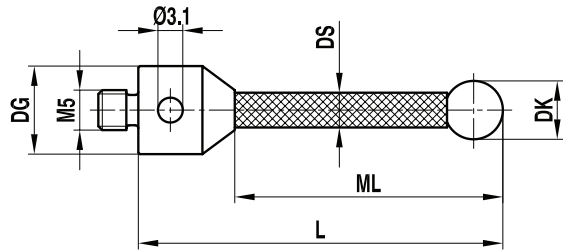
Item number	Renishaw part number	Zeiss part number	DK (mm)	ML1/ML (mm)	DG/D (mm)	L (mm)	DS1/DS (mm)	EAL/B (mm)	Weight (g)
1	A-5555-1916	626105-0300-025	3	15	11	25	2		4
2	A-5555-1847	626105-0300-033	3	23.5	11	33.5	2		4.2
3	A-5555-0730	626105-0300-050	3	40	11	50	2		4.5
4	A-5555-3806	626105-0300-058	3	48	11	58	2		4.9
5	A-5555-1917	626105-0400-033	4	23.5	11	33.5	2		4.2
6	A-5555-0731	626105-0400-064	4	54	11	64	2		4.6
7	A-5555-0732	626105-0510-050	5	40	11	50	3.5		4.8
8	A-5555-2013		5	43	11	53	3.5		4.9
9	A-5555-0735	626105-0510-075	5	65	11	75	3.5		5
10	A-5555-0410	626105-0510-100	5	90	11	100	3.5		5.4
11	A-5555-0733	626105-0610-054	6	44	11	54	3.5		4.9
12	A-5555-0734	626105-0710-055	7	45	11	55	3.5		4.9
13	A-5555-3807	626105-0820-063	8	50.5	11	63.5	6		7
14	A-5555-2011	626105-0820-075	8	62	11	75	6		7.3
15	A-5555-1918	626105-0820-100	8	87	11	100	6		7.5
16	A-5555-3808	626105-0820-114	8	101.5	11	114.5	6		9.5
17	A-5555-9361	626105-0820-150	8	137	11	150	6		11
18	A-5555-1112	626105-0820-200	8	187	11	200	6		13
19	A-5555-3809		9	51.5	11	64.5	6		7.2
20	A-5555-3810	626105-1020-065	10	52.5	11	65.5	6		8
21	A-5555-3811	626105-1020-118	10	105	11	118	6		14.5
22	A-5555-0643	626105-1020-150	10	137	11	150	6		16
23	A-5555-2011	626105-1020-200	10	187	11	200	6		19

Renishaw M5 styli, adaptors and accessories for Zeiss analogue probe systems



**Part and description
(schematic not shown to scale)**

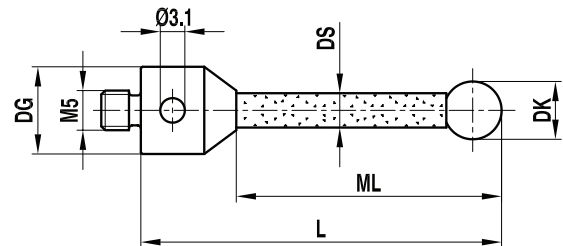
Carbon fibre styli thermostable with silicon nitride ball.
M5 thread, titanium base, carbon fibre stem
thermostable, silicon nitride ball.



Item number	Renishaw part number	Zeiss part number	DK (mm)	ML1/ML (mm)	DG/D (mm)	L (mm)	DS1/DS (mm)	EAL/B (mm)	Weight (g)
1	A-5555-3812		3	15	11	25	2		4
2	A-5555-1828	626105-0301-033	3	23.5	11	33.5	2		4.2
3	A-5555-3813		3	40	11	50	2		4.5
4	A-5555-3814	626103-0301-058	3	48	11	58	2		4.9
5	A-5555-3815		4	23.5	11	33.5	2		4.2
6	A-5555-3816		4	54	11	64	2		4.6
7	A-5555-3817	626105-0511-050	5	40	11	50	3.5		4.8
8	A-5555-0759		5	43	11	53	3.5		4.9
9	A-5555-2012	626105-0511-075	5	65	11	75	3.5		5
10	A-5555-9045	626105-0511-100	5	90	11	100	3.5		5.4
11	A-5555-3818		6	44	11	54	3.5		4.9
12	A-5555-3819		7	45	11	55	3.5		4.9
13	A-5555-0720	626105-0821-063	8	50.5	11	63.5	6		7
14	A-5555-2010		8	62	11	75	6		7.3
15	A-5555-3820	626105-0821-100	8	87	11	100	6		7.5
16	A-5555-3821	626105-0821-114	8	105.5	11	114.5	6		9.5
17	A-5555-1169	626105-0821-150	8	137	11	150	6		11
18	A-5555-1179	626105-0821-200	8	187	11	200	6		13
19	A-5555-3822		9	51.5	11	64.5	6		7.2
20	A-5555-3823		10	52.5	11	65.5	6		8
21	A-5555-3824	626105-1021-118	10	105	11	118	6		14.5
22	A-5555-3825	626105-1021-150	10	137	11	150	6		16
23	A-5555-1171	626105-1021-200	10	187	11	200	6		19

**Part and description
(schematic not shown to scale)**

Ceramic styli.
M5 thread, titanium base, ceramic styli, ruby ball.



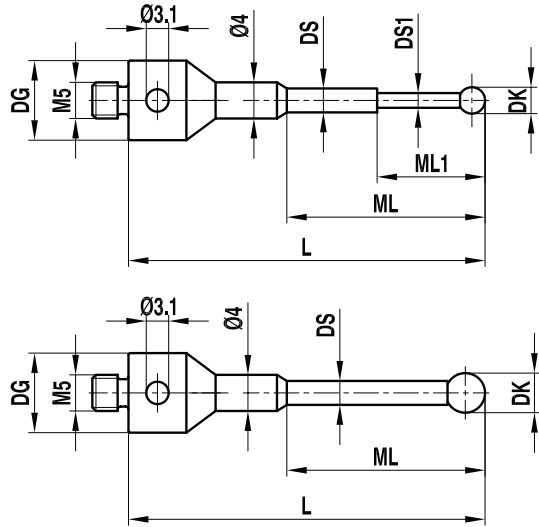
Item number	Renishaw part number	Zeiss part number	DK (mm)	ML1/ML (mm)	DG/D (mm)	L (mm)	DS1/DS (mm)	EAL/B (mm)	Weight (g)
1	A-5555-0041	600342-8013	5	43	11	53	3.5		4.6
2	A-5555-0042	600342-8016	6	44	11	54	3.5		4.7
3	A-5555-0043	600342-8017	7	45	11	55	3.5		5
4	A-5555-0044	600342-8014	8	50.5	11	63.5	6		8.3
5	A-5555-0045	600342-8018	9	51.5	11	64.5	6		8.4
6	A-5555-0046	600342-8118	9	42.5	19	64.5	6		21
7	A-5555-0047	600342-8019	10	52.5	11	65.5	6		9
8	A-5555-0048	600342-8119	10	43.5	19	65.5	6		38
9	A-5555-0049	600342-8114	8	41.5	19	63.5	6		33
10	A-5555-0050	600342-8015	8	101.5	11	114.5	6		11.8
11	A-5555-0051	600342-8115	8	92.5	19	114.5	6		38

Renishaw M5 styli, adaptors and accessories for Zeiss analogue probe systems



**Part and description
(schematic not shown to scale)**

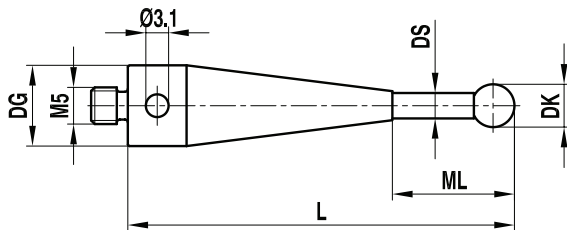
Small ball styli, stepped stem.
M5 thread, stainless steel base, tungsten carbide stem,
ruby ball.



Item number	Renishaw part number	Zeiss part number	DK (mm)	ML1/ML (mm)	DG/D (mm)	L (mm)	DS1/DS (mm)	EAL/B (mm)	Weight (g)
1	A-5555-0052	602030-8060	0.8	4.8/12	11	32	0.6/1.0		6.8
2	A-5555-0053	602030-8061	1	5.0/12	11	32	0.8/1.0		6.8
3	A-5555-0054	602030-8062	1.35	12	11	32	1		6.9
4	A-5555-0055	602030-8063	1.35	19	11	44	1		7.5
5	A-5555-0056	602030-8064	1.5	12	11	32	1		6.5
6	A-5555-0057	602030-8065	1.5	19	11	44	1		7.5
7	A-5555-0058	602030-8066	2	12	11	32	1.5		7.3
8	A-5555-0059	602030-8067	2	19	11	44	1.5		8
9	A-5555-0060	602030-8068	2	33	11	58	1.5		8
10	A-5555-0061	602030-8069	2.5	12	11	32	1.5		7.3
11	A-5555-0062	602030-8070	2.5	19	11	44	1.5		8
12	A-5555-0063	602030-8071	2.5	33	11	58	1.5		8

**Part and description
(schematic not shown to scale)**

Small ball styli, stepped stem.
M5 thread, titanium base, tungsten carbide stem, ruby ball.



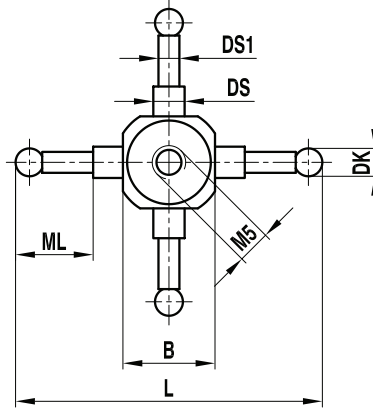
Item number	Renishaw part number	Zeiss part number	DK (mm)	ML1/ML (mm)	DG/D (mm)	L (mm)	DS1/DS (mm)	EAL/B (mm)	Weight (g)
1	A-5555-0064	602030-9019	1	5	11	55	0.8		11.9
2	A-5555-0065	602030-9020	1.5	5	11	55	1		11.9
3	A-5555-0066	602030-9021	2	5	11	55	1.5		11.9
4	A-5555-0067	602030-9022	2.5	5	11	55	2		11.9
5	A-5555-0068	602030-9023	3.5	10	11	55	2.5		11.9

Renishaw M5 styli, adaptors and accessories for Zeiss analogue probe systems



**Part and description
(schematic not shown to scale)**

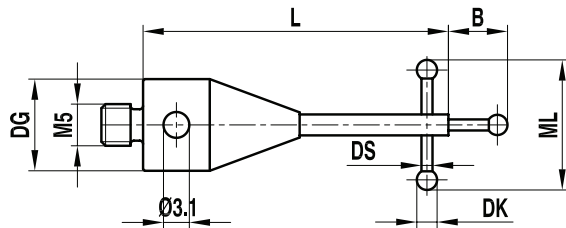
Cube star.
M5 thread, titanium cube base, tungsten carbide stems,
ruby balls.



Item number	Renishaw part number	Zeiss part number	DK (mm)	ML1/ML (mm)	DG/D (mm)	L (mm)	DS1/DS (mm)	EAL/B (mm)	Weight (g)
1	A-5555-0069	602030-9024	1	7		45	0.8/2.0	15	17.3
2	A-5555-0070	602030-9025	1.5	7.5		45	1.0/2.0	15	17.3
3	A-5555-0071	602030-9026	2	7.5		45	1.5/2.0	15	17.3
4	A-5555-0072	602030-9027	2.5	8		45	1.5/2.0	15	17.3
5	A-5555-0073	602030-9028	3.5	15		45	2	15	17.3

**Part and description
(schematic not shown to scale)**

Styli for thread measurement.
M5 thread, stainless steel base, tungsten carbide stem,
ruby balls.



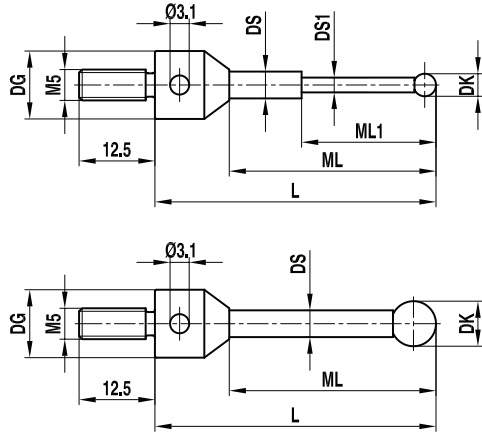
Item number	Renishaw part number	Zeiss part number	DK (mm)	ML1/ML (mm)	DG/D (mm)	L (mm)	DS1/DS (mm)	EAL/B (mm)	Weight (g)
1	A-5555-0074	602030-9070	1.35	9	11	40	1	2	11
2	A-5555-0075	602030-9071	2.3	12	11	40	1	2.5	13
3	A-5555-0076	602030-9072	1.8	10	11	40	1	2	12
4	A-5555-0077	602030-9073	0.8	5	11	40	0.6	1.9	7

Renishaw M5 styli, adaptors and accessories for Zeiss analogue probe systems



**Part and description
(schematic not shown to scale)**

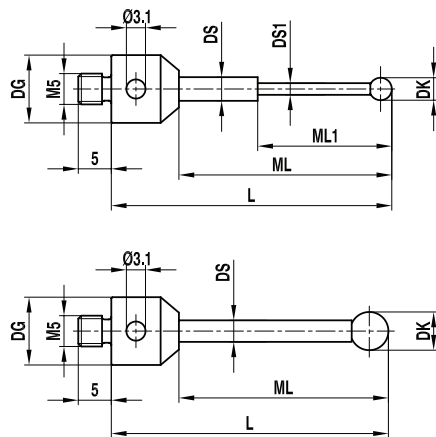
Long threaded styli, thread length 12.5 mm.
M5 thread, stainless steel base, tungsten carbide stem,
ruby ball.



Item number	Renishaw part number	Zeiss part number	DK (mm)	ML1/ML (mm)	DG/D (mm)	L (mm)	DS1/DS (mm)	EAL/B (mm)	Weight (g)
1	A-5555-0078	600342-8200	1.35	23.85	11	32.85	1		6
2	A-5555-0079	600342-8201	1.5	24	11	33	1		7
3	A-5555-0080	600342-8202	2	24.5	11	33.5	1.5		7
4	A-5555-0081	600342-8203	2.5	25	11	34	1.5		7
5	A-5555-0082	600342-8221	3	16.5	19	34.5	2		20
6	A-5555-0083	600342-8222	5	25.5	19	43.5	3.5		23
7	A-5555-0084	600342-8250	0.3	2.3/12.8	11	21.8	0.2/1.0		6
8	A-5555-0085	600342-8251	0.5	2.5/13	11	22	0.3/1.0		6
9	A-5555-0086	600342-8252	0.6	4.6/13.1	11	22.1	0.4/1.0		6
10	A-5555-0087	600342-8253	0.8	4.8/13.3	11	22.3	0.6/1.0		6
11	A-5555-0088	600342-8254	1	5.0/13.5	11	22.5	0.8/1.0		6

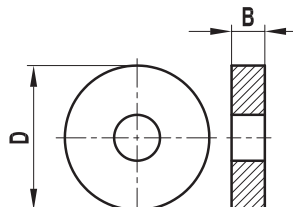
**Part and description
(schematic not shown to scale)**

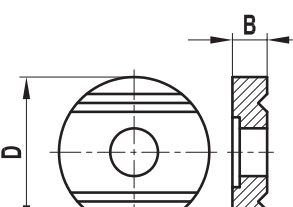
Long threaded styli, thread length 5 mm.
M5 thread, stainless steel base, tungsten carbide stem,
ruby ball.



Item number	Renishaw part number	Zeiss part number	DK (mm)	ML1/ML (mm)	DG/D (mm)	L (mm)	DS1/DS (mm)	EAL/B (mm)	Weight (g)
1	A-5555-0799	626115-0140-033	1.35	23.85	11	32.85	1		6
2	A-5555-9324	626115-0150-033	1.5	24	11	33	1		7
3	A-5555-3826	602030-8066-000	2	24.5	11	33.5	1.5		7
4	A-5555-0722		2	24.5	11	33.5	1.5		7
5	A-5555-3827		2.5	25	11	34	1		7
6	A-5555-0686	6020030-8069-000	2.5	25	11	34	1.5		7
7	A-5555-3828		3	16.5	11	25.5	2		9
8	A-5555-3829		5	25.5	11	34.5	3.5		9
9	A-5555-0331	626115-0030-022	0.3	2.3/12.8	11	21.8	0.2/1.0		6
10	A-5555-1157	626115-0050-022	0.5	2.5/13.0	11	22	0.3/1.0		6
11	A-5555-1842	626115-0060-022	0.6	4.6/13.1	11	22.1	0.4/1.0		6
12	A-5555-1844	626115-0080-022	0.8	4.8/13.3	11	22.3	0.6/1.0		6
13	A-5555-1843	626115-0100-022	1.5	1.5/13.5	11	22.5	0.8/1.0		6
14	A-5555-1873		1.5	7.0/24.0	11	33	1.0/1.5		7

Renishaw M5 styli, adaptors and accessories for Zeiss analogue probe systems

Part and description (schematic not shown to scale)	Item number	Renishaw part number	Zeiss part number	DK (mm)	ML1/ML (mm)	DG/D (mm)	L (mm)	DS1/DS (mm)	EAL/B (mm)	Weight (g)
Flat washer for star styli. M5, stainless steel.	1	A-5555-0089	600341-0140			11			1.5	1
	2	A-5555-0090	600341-0141			19			2	4
										

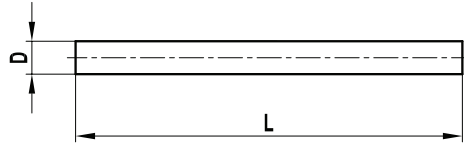
Part and description (schematic not shown to scale)	Item number	Renishaw part number	Zeiss part number	DK (mm)	ML1/ML (mm)	DG/D (mm)	L (mm)	DS1/DS (mm)	EAL/B (mm)	Weight (g)
Grooved washer for star styli. M5, stainless steel.	1	A-5555-0091	600341-0150			11			2	1
	2	A-5555-0092	600341-0151			19			4	7
										

Renishaw M5 styli, adaptors and accessories for Zeiss analogue probe systems



**Part and description
(schematic not shown to scale)**

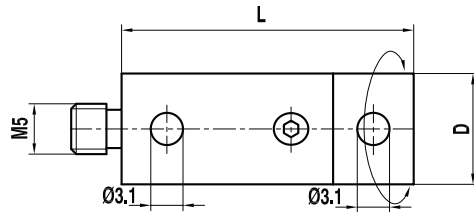
Tungsten carbide pin for star styli.
M5, tungsten carbide.



Item number	Renishaw part number	Zeiss part number	DK (mm)	ML1/ML (mm)	DG/D (mm)	L (mm)	DS1/DS (mm)	EAL/B (mm)	Weight (g)
1	A-5555-0093	600341-0520			1	10			1
2	A-5555-0094	600341-0521			1.5	10			1
3	A-5555-0095	600341-0522			2	18			1
4	A-5555-0096	600341-0523			3.5	18			3

**Part and description
(schematic not shown to scale)**

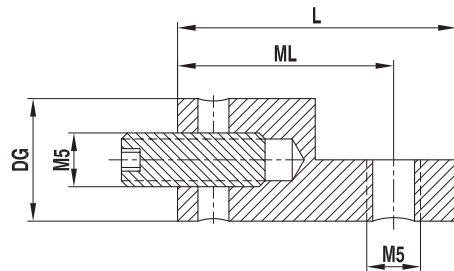
Rotary adaptor.
M5 thread, titanium.



Item number	Renishaw part number	Zeiss part number	DK (mm)	ML1/ML (mm)	DG/D (mm)	L (mm)	DS1/DS (mm)	EAL/B (mm)	Weight (g)
1	A-5555-0099	602030-9095			18	30			43
2	A-5555-0713	612030-9737			11	29			13

**Part and description
(schematic not shown to scale)**

Holder 90 degree, offset.
M5 thread, titanium.



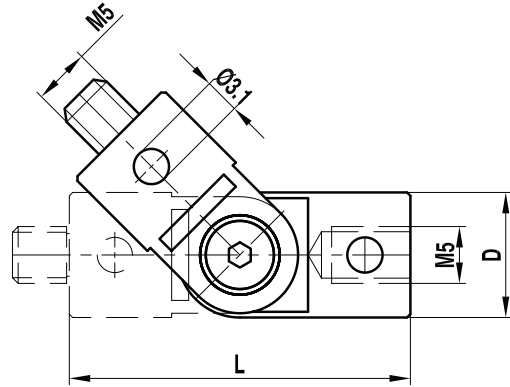
Item number	Renishaw part number	Zeiss part number	DK (mm)	ML1/ML (mm)	DG/D (mm)	L (mm)	DS1/DS (mm)	EAL/B (mm)	Weight (g)
1	A-5555-1097	626105-6901-001		17	11	22.5			6

Renishaw M5 styli, adaptors and accessories for Zeiss analogue probe systems



**Part and description
(schematic not shown to scale)**

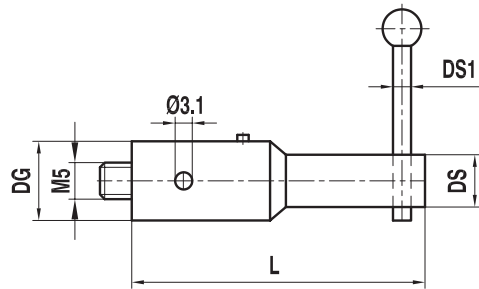
Rotary knuckle, slewing range 360 degrees, swing range 180 degrees.
M5 thread, titanium.



Item number	Renishaw part number	Zeiss part number	DK (mm)	ML1/ML (mm)	DG/D (mm)	L (mm)	DS1/DS (mm)	EAL/B (mm)	Weight (g)
1	A-5003-5278				11	51			19
2	A-5555-3841				18	58			58

**Part and description
(schematic not shown to scale)**

Holder 90 degrees.
M5 thread, stainless steel.



Item number	Renishaw part number	Zeiss part number	DK (mm)	ML1/ML (mm)	DG/D (mm)	L (mm)	DS1/DS (mm)	EAL/B (mm)	Weight (g)
1	A-5555-0104	600341-8160			11	45	1-1.5/6		16

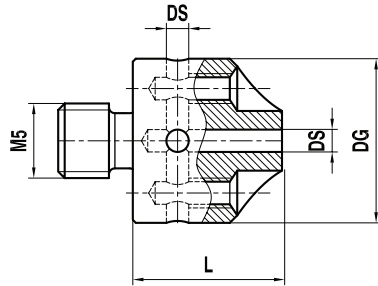
Fits with styli A-5555-0107 - A-5555-0145

Renishaw M5 styli, adaptors and accessories for Zeiss analogue probe systems



**Part and description
(schematic not shown to scale)**

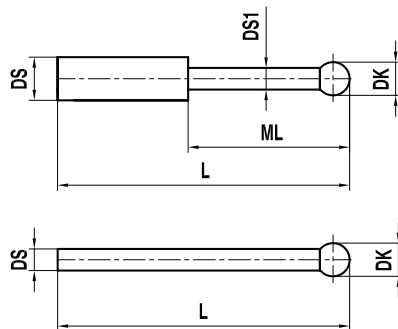
5 way holder.
M5 thread, stainless steel.



Item number	Renishaw part number	Zeiss part number	DK (mm)	ML1/ML (mm)	DG/D (mm)	L (mm)	DS1/DS (mm)	EAL/B (mm)	Weight (g)
1	A-5555-0105	600341-8367			11	10	1		3.2
2	A-5555-0106	600341-8368			11	10	1.5		3.2
3	A-5555-1245	626115-5000-199			11	10	2		3.2

**Part and description
(schematic not shown to scale)**

Styli for holder.
M5, tungsten carbide stem, ruby ball.

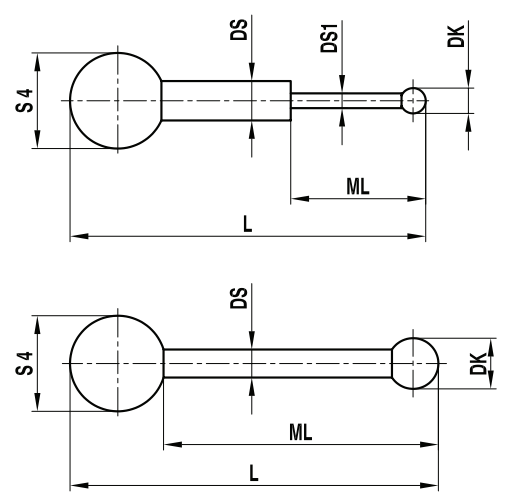


Item number	Renishaw part number	Zeiss part number	DK (mm)	ML1/ML (mm)	DG/D (mm)	L (mm)	DS1/DS (mm)	EAL/B (mm)	Weight (g)
1	A-5555-0107	600341-8454	1	5		16	0.8/1.0		1
2	A-5555-0108	600341-8450	0.3	2.3		15.3	0.2/1.0		1
3	A-5555-0109	600341-8451	0.5	2.5		15.5	0.3/1.0		1
4	A-5555-0110	600341-8452	0.6	4.6		15.6	0.4/1.0		1
5	A-5555-0111	600341-8453	0.8	4.8		15.8	0.6/1.0		1
6	A-5555-0112	600341-8500	1.35			26.35	1		1
7	A-5555-0113	600341-8501	1.35			26.5	1		1
8	A-5555-0114	600341-8502	2			27	1.5		1
9	A-5555-0115	600341-8503	2			27.5	1.5		1
10	A-5555-0116	600341-8510	3			38	2		2
11	A-5555-0117	600341-8511	5			45	3.5		6

Renishaw M5 styli, adaptors and accessories for Zeiss analogue probe systems



Part and description (schematic not shown to scale)	Item number	Renishaw part number	Zeiss part number	DK (mm)	ML1/ML (mm)	DG/D (mm)	L (mm)	DS1/DS (mm)	EAL/B (mm)	Weight (g)
Holder for swivel styli. M5, stainless steel. 	1	A-5555-0118	600341-8180			11	40	1-1.5/6		15

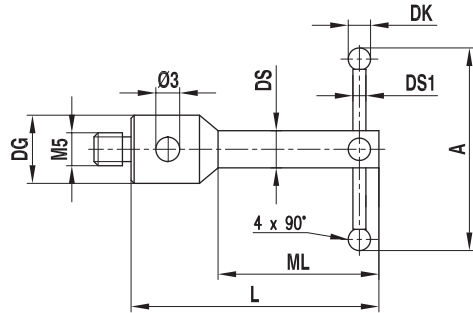
Part and description (schematic not shown to scale)	Item number	Renishaw part number	Zeiss part number	DK (mm)	ML1/ML (mm)	DG/D (mm)	L (mm)	DS1/DS (mm)	EAL/B (mm)	Weight (g)
Styli for swivelling components. M5, S4 steel ball, tungsten carbide stem, ruby ball. 	1	A-5555-0119	600341-8183	1	5	1	17.5	0.8/1.0		1
	2	A-5555-0120	600341-8185	2	24.5	1.5	28.5	1.5		1

Renishaw M5 styli, adaptors and accessories for Zeiss analogue probe systems



**Part and description
(schematic not shown to scale)**

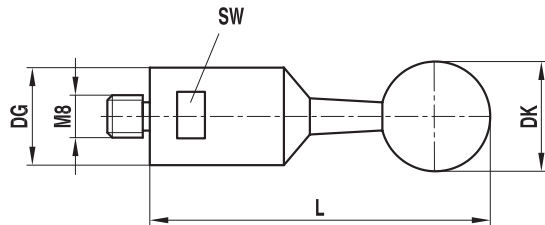
Star styli.
M5 thread, stainless steel base, tungsten carbide stems, ruby balls.



Item number	Renishaw part number	Zeiss part number	DK (mm)	ML1/ML (mm)	DG/D (mm)	L (mm)	DS1/DS (mm)	A (mm)	Weight (g)
1	A-5555-1153		0.6	30	11	40	0.4/4.0	8	9
2	A-5555-1135		0.8	30	11	40	0.6/4.0	8	9
3	A-5555-3839		1	30	11	40	0.8/4.0	8	9

**Part and description
(schematic not shown to scale)**

Reference sphere with stem.
M8 thread, stainless steel, ceramic ball including certificate.



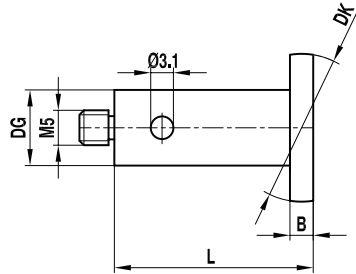
Item number	Renishaw part number	Zeiss part number	DK (mm)	ML1/ML (mm)	DG/D (mm)	L (mm)	DS1/DS (mm)	SW (mm)	Weight (g)
1	A-5555-3842		15		24	130		22	
2	A-5555-3843		20		24	135		22	
3	A-5555-3844		25		24	140		22	
4	A-1034-0124		30		24	145		22	

Renishaw M5 styli, adaptors and accessories for Zeiss analogue probe systems



Part and description
(schematic not shown to scale)

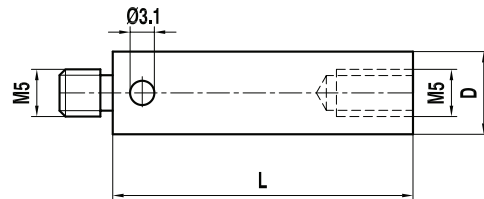
Spherical disc styli.
M5, aluminium base, high strength steel disc.



Item number	Renishaw part number	Zeiss part number	DK (mm)	ML1/ML (mm)	DG/D (mm)	L (mm)	DS1/DS (mm)	EAL/B (mm)	Weight (g)
1	A-5555-0121	600341-8090	10		7	21.5		1.5	3
2	A-5555-0122	600341-8095	15		10	21.5		1.5	6
3	A-5555-0123	602030-8091	20		7	60		1	8
4	A-5555-0124	000000-1165-629	15		7	40		1	5

Part and description
(schematic not shown to scale)

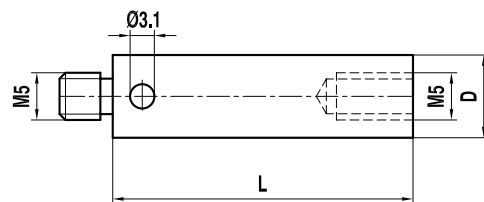
Extensions.
M5, aluminium, stainless steel ends.



Item number	Renishaw part number	Zeiss part number	DK (mm)	ML1/ML (mm)	DG/D (mm)	L (mm)	DS1/DS (mm)	EAL/B (mm)	Weight (g)
1	A-5555-0125	600341-8420			20	200			84.7
2	A-5555-0126	600341-8421			20	150			67.4
3	A-5555-0127	600341-8422			20	100			50.7
4	A-5555-0128	600341-8423			20	80			44.8
5	A-5555-0129	600341-8424			20	60			37.7
6	A-5555-0130	600341-8425			20	40			29
7	A-5555-0131	600341-8265			11	120			30.9
8	A-5555-0132	600341-8264			11	100			25.6
9	A-5555-0133	600341-8263			11	80			20.6
10	A-5555-0134	600341-8262			11	60			15.4
11	A-5555-0135	600341-8261			11	40			10.3

Part and description
(schematic not shown to scale)

Extensions.
M5, stainless steel.



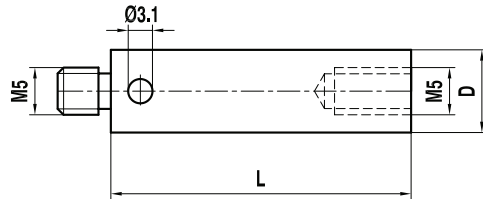
Item number	Renishaw part number	Zeiss part number	DK (mm)	ML1/ML (mm)	DG/D (mm)	L (mm)	DS1/DS (mm)	EAL/B (mm)	Weight (g)
1	A-5555-0136	600341-0260			11	100			73
2	A-5555-0137	600341-0258			11	80			58
3	A-5555-0138	600341-0256			11	60			42
4	A-5555-0139	600341-0254			11	40			28
5	A-5555-0140	600341-0252			11	20			13
6	A-5555-0141	600341-0251			11	15			9
7	A-5555-0142	600341-0250			11	10			6

Renishaw M5 styli, adaptors and accessories for Zeiss analogue probe systems



**Part and description
(schematic not shown to scale)**

Extensions.
M5, titanium.



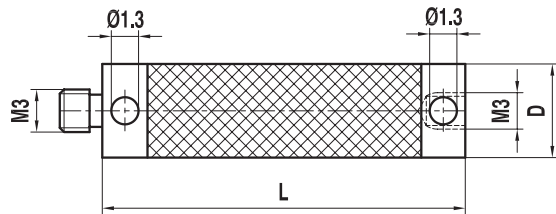
Item number	Renishaw part number	Zeiss part number	DK (mm)	ML1/ML (mm)	DG/D (mm)	L (mm)	DS1/DS (mm)	EAL/B (mm)	Weight (g)
1	A-5555-0143	602030-9044			11	10			3.9
2	A-5555-0144	602030-9045			11	15			5.7
3	A-5555-0145	602030-9046			11	20			7.5
4	A-5555-0146	602030-9047			11	25			9.5
5	A-5555-0147	602030-9048			18	25			24.6
6	A-5555-0148	602030-9049			11	40			12.6
7	A-5555-0149	602030-9050			18	40			31.5
8	A-5555-0150	602030-9051			11	50			13.2
9	A-5555-0151	602030-9052			18	50			33.3
10	A-5555-0152	602030-9053			11	60			14.2
11	A-5555-0153	602030-9054			18	60			35.1
12	A-5555-0154	602030-9055			11	75			15.3
13	A-5555-0155	602030-9056			18	75			37.9
14	A-5555-0156	602030-9057			11	80			15.6
15	A-5555-0157	602030-9058			18	80			38.8
16	A-5555-0158	602030-9059			11	90			16.5
17	A-5555-0159	602030-9060			18	90			40.6
18	A-5555-0160	602030-9061			11	100			17.2
19	A-5555-0161	602030-9062			18	100			42.5
20	A-5555-0162	602030-9063			11	120			19.8
21	A-5555-0163	602030-9064			18	120			46.1
22	A-5555-0164	602030-9065			11	150			22.5
23	A-5555-0165	602030-9066			18	150			51.6
24	A-5555-0166	602030-9067			18	200			61
25	A-5555-0167	602030-9068			18	250			70
26	A-5555-0168	602030-9069			18	300			79

Renishaw M5 styli, adaptors and accessories for Zeiss analogue probe systems



**Part and description
(schematic not shown to scale)**

**Extensions.
M5, black carbon fibre thermostable, titanium ends.**



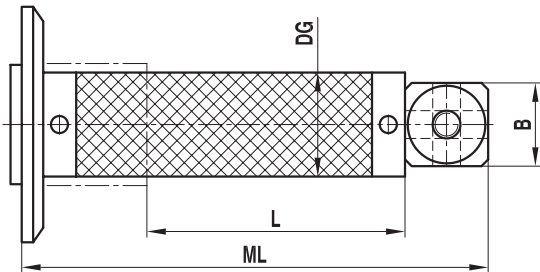
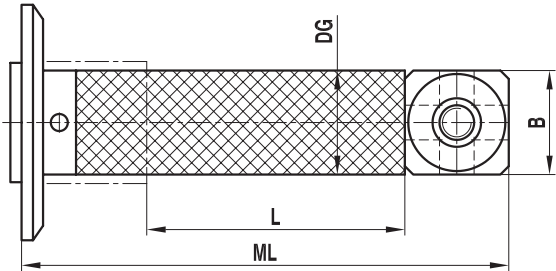
Item number	Renishaw part number	Zeiss part number	DK (mm)	ML1/ML (mm)	DG/D (mm)	L (mm)	DS1/DS (mm)	EAL/B (mm)	Weight (g)
1	A-5555-0647	626107-1040-100			11	40			9
2	A-5555-0620	626107-2040-100			21	40			26
3	A-5555-0648	626107-1050-100			11	50			10
4	A-5555-0657	626107-2050-100			20	50			28
5	A-5555-0649	626107-1060-100			11	60			11
6	A-5555-0658	626107-2060-100			21	60			29
7	A-5555-0623	626107-1070-100			11	70			11
8	A-5555-0650	626107-1080-100			11	80			12
9	A-5555-0621	626107-2080-100			21	80			32
10	A-5555-0651	626107-1090-100			11	90			13
11	A-5555-0652	626107-1100-100			11	100			14
12	A-5555-0659	626107-2100-100			21	100			34
13	A-5555-0425	626107-1120-100			11	120			15
14	A-5555-0424	626107-1150-100			11	150			17
15	A-5555-0661	626107-2150-100			21	150			41
16	A-5555-0653	626107-1180-100			11	180			19
17	A-5555-0654	626107-1200-100			11	200			21
18	A-5555-0663	626107-2200-100			21	200			48
19	A-5555-0655	626107-1250-100			11	250			24
20	A-5555-0427	626107-2250-100			21	250			55
21	A-5555-0664	626107-2300-100			21	300			62
22	A-5555-0642	626107-1300-100			11	300			27
23	A-5555-0656	626107-1400-100			11	400			34
24	A-5555-0665	626107-2400-100			20	400			75
25	A-5555-0667	626107-2500-100			20	500			89
26	A-5555-0668	626107-2600-100			20	600			103

Renishaw M5 styli, adaptors and accessories for Zeiss analogue probe systems



**Part and description
(schematic not shown to scale)**

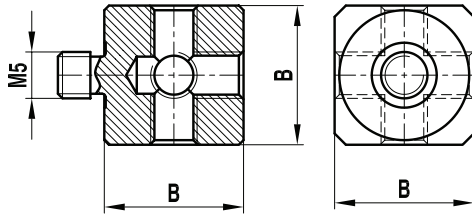
Adaptor plate extension for MT/VAST.
M5, black carbon fibre thermostable, titanium cube and plate adaptor.

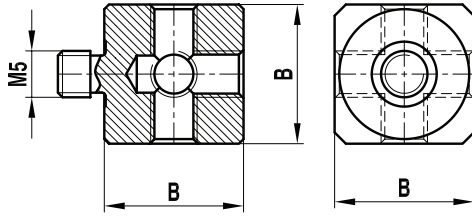


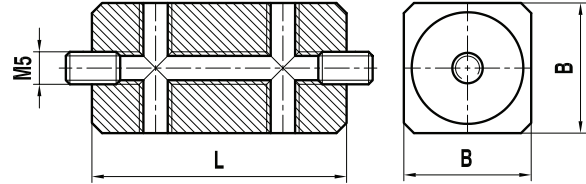
Item number	Renishaw part number	Zeiss part number	DK (mm)	ML1/ML (mm)	DG/D (mm)	L (mm)	DS1/DS (mm)	EAL/B (mm)	Weight (g)
1	A-5555-3845			66.5	11	25		15	60
2	A-5555-3846			81.5	11	40		15	62
3	A-5555-3847			91.5	11	50		15	64
4	A-5555-3848			101.5	11	60		15	66
5	A-5555-3849			121.5	11	80		15	68
6	A-5555-3850			141.5	11	100		15	70
7	A-5555-3851			161.5	11	120		15	72
8	A-5555-3740			191.5	11	150		15	77
9	A-5555-3852			241.5	11	200		15	84
10	A-5555-0699	626107-2025-130		66.5	20	25		15	60
11	A-5555-1985	626107-2040-130		81.5	20	40		15	62
12	A-5555-1986	626107-2050-130		91.5	20	50		15	64
13	A-5555-1987	626107-2060-130		101.5	20	60		15	66
14	A-5555-0700	626107-2080-130		121.5	20	80		15	68
15	A-5555-1988	626107-2100-130		141.5	20	100		15	70
16	A-5555-1989	626107-2120-130		161.5	20	120		15	72
17	A-5555-0701	626107-2150-130		191.5	20	150		15	77
18	A-5555-1990	626107-2200-130		241.5	20	200		15	84
19	A-5555-1979	626107-2025-110		71.5	20	25		20	74
20	A-5555-1980	626107-2040-110		86.5	20	40		20	76
21	A-5555-1855	626107-2050-110		96.6	20	50		20	78
22	A-5555-1981	626107-2060-110		106.5	20	60		20	80
23	A-5555-1982	626107-2080-110		126.5	20	80		20	82
24	A-5555-1983	626107-2100-110		146.5	20	100		20	84
25	A-5555-1938	626107-2120-110		166.5	20	120		20	86
26	A-5555-1937	626107-2150-110		196.5	20	150		20	91
27	A-5555-1984	626107-2200-110		246.5	20	200		20	98

Renishaw M5 styli, adaptors and accessories for Zeiss analogue probe systems



Part and description (schematic not shown to scale)	Item number	Renishaw part number	Zeiss part number	DK (mm)	ML1/ML (mm)	DG/D (mm)	L (mm)	DS1/DS (mm)	EAL/B (mm)	Weight (g)
Cube. M5, titanium. 	1	A-5555-0189	600341-8361						15	12.6
	2	A-5555-0190	600341-8002						20	31.5
	3	A-5555-0193							25	40

Part and description (schematic not shown to scale)	Item number	Renishaw part number	Zeiss part number	DK (mm)	ML1/ML (mm)	DG/D (mm)	L (mm)	DS1/DS (mm)	EAL/B (mm)	Weight (g)
Cube. M5, aluminium. 	1	A-5555-0191	602030-8363						15	7.5
	2	A-5555-0192	602030-8362						20	20

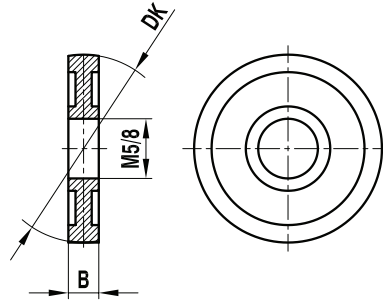
Part and description (schematic not shown to scale)	Item number	Renishaw part number	Zeiss part number	DK (mm)	ML1/ML (mm)	DG/D (mm)	L (mm)	DS1/DS (mm)	EAL/B (mm)	Weight (g)
Double cube. M5, titanium. 	1	A-5555-0194	600342-8103				40		20	64

Renishaw M5 styli, adaptors and accessories for Zeiss analogue probe systems



**Part and description
(schematic not shown to scale)**

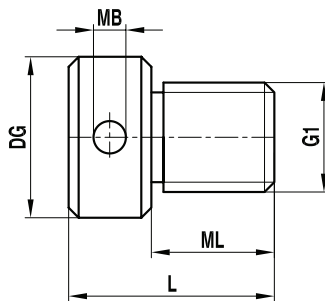
Spherical disk.
M5, high strength steel.



Item number	Renishaw part number	Zeiss part number	DK (mm)	Thread/bore hole (mm)	EAL/B (mm)	Weight (g)
1	A-5555-0196	602030-0004	15	M5	4	5
2	A-5555-0197	602030-0005	20	M5	4	9
3	A-5555-0198	602030-0006	30	M5	4	21
4	A-5555-0199	602030-0007	40	M5	5	42
5	A-5555-0200	602030-0008	50	M5	5	64
6	A-5555-0201	602030-0009	60	M5	5	89
7	A-5555-0203	602030-0011	20	8	4	8
8	A-5555-0204	600341-0200	20	8	2	4
9	A-5555-0205	600341-0203	30	8	4	10
10	A-5555-0206	600341-0204	40	8	4	21
11	A-5555-0207	600341-0205	50	8	5	36
12	A-5555-0208	600341-0206	60	8	6	59

**Part and description
(schematic not shown to scale)**

Hole location gauge.
M5, stainless steel.

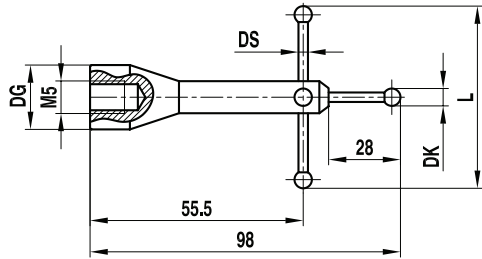


Item number	Renishaw part number	Zeiss part number	DK (mm)	ML1/ML (mm)	DG/D (mm)	L (mm)	MB (mm)	G1 (mm)	Weight (g)
1	A-5555-0209	602030-0012		10	10	16	1.8	M4	4
2	A-5555-0210	602030-0013		10	10	16	1.8	M5	4
3	A-5555-0211	602030-0014		12	12	18	1.8	M6	7
4	A-5555-0212	602030-0015		12	15	20	3	M8	13
5	A-5555-0213	602030-0016		15	18	25	3	M10	25
6	A-5555-0214	602030-0017		15	20	25	3	M12	33

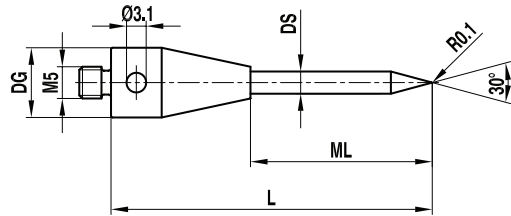
Renishaw M5 styli, adaptors and accessories for Zeiss analogue probe systems



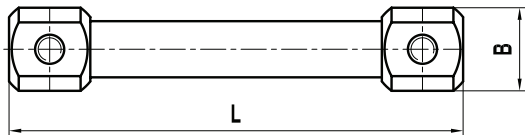
Part and description (schematic not shown to scale)	Item number	Renishaw part number	Zeiss part number	DK (mm)	ML1/ML (mm)	DG/D (mm)	L (mm)	DS1/DS (mm)	EAL/B (mm)	Weight (g)
Star styli. M5, stainless steel base, tungsten carbide stems, ruby balls.	1	A-5555-0215	600331-8093	5		19	80	3.5		70



Part and description (schematic not shown to scale)	Item number	Renishaw part number	Zeiss part number	DK (mm)	ML1/ML (mm)	DG/D (mm)	L (mm)	DS1/DS (mm)	EAL/B (mm)	Weight (g)
Pointer styli. M5, titanium base, tungsten carbide stem.	1	A-5555-0216	600342-8051	30°	39	11	61	3.5		12



Part and description (schematic not shown to scale)	Item number	Renishaw part number	Zeiss part number	DK (mm)	ML1/ML (mm)	DG/D (mm)	L (mm)	DS1/DS (mm)	EAL/B (mm)	Weight (g)
Cube extension. M5, titanium.	1	A-5555-0217	602030-0019				120		20	87

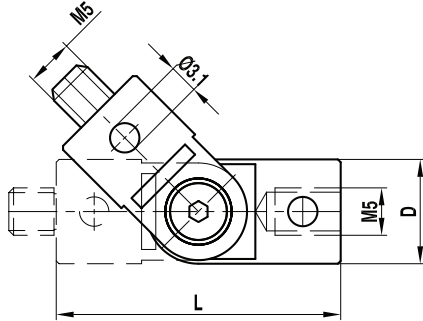


Renishaw M5 styli, adaptors and accessories for Zeiss analogue probe systems



**Part and description
(schematic not shown to scale)**

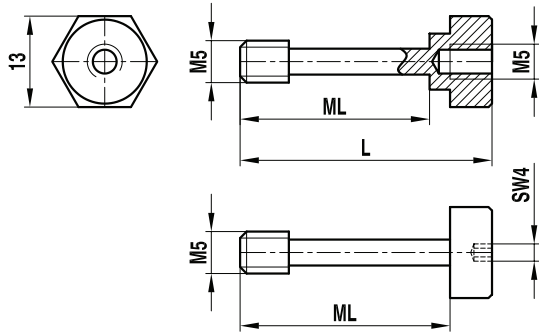
Knuckle, swing range 180 degrees.
M5, titanium.



Item number	Renishaw part number	Zeiss part number	DK (mm)	ML1/ML (mm)	DG/D (mm)	L (mm)	DS1/DS (mm)	EAL/B (mm)	Weight (g)
1	A-5555-0218	600342-9002			11	30			11.2
2	A-5555-0219	600342-9003			18	36			37.2

**Part and description
(schematic not shown to scale)**

Bolts for spherical disk and cube.
M5, stainless steel.

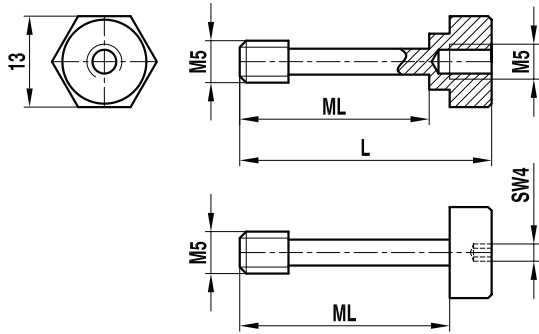


Item number	Renishaw part number	Zeiss part number	DK (mm)	ML1/ML (mm)	DG/D (mm)	L (mm)	DS1/DS (mm)	EAL/B (mm)	Weight (g)
1	A-5555-0221	600341-0210		26		35			9
2	A-5555-0222	600341-0211		21		30			9
3	A-5555-0223	600341-0212		9		17.5			7

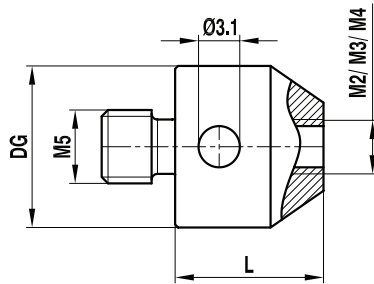
Renishaw M5 styli, adaptors and accessories for Zeiss analogue probe systems



Part and description (schematic not shown to scale)	Item number	Renishaw part number	Zeiss part number	DK (mm)	ML1/ML (mm)	DG/D (mm)	L (mm)	DS1/DS (mm)	EAL/B (mm)	Weight (g)
Bolts for cubes. M5, stainless steel.	1	A-5555-0224	600341-0220		26					4
	2	A-5555-0225	600341-0221		21					3

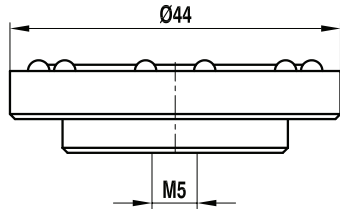


Part and description (schematic not shown to scale)	Item number	Renishaw part number	Zeiss part number	DK (mm)	ML1/ML (mm)	DG/D (mm)	L (mm)	DS1/DS (mm)	From/to (mm)	Weight (g)
Adaptor. M5, stainless steel.	1	A-5555-0226	602030-0215			11	10	M5/M2		5.2
	2	A-5555-0227	602030-0315			11	10	M5/M3		5.2
	3	A-5555-0228	602030-0318			11	10	M5/M4		5.2

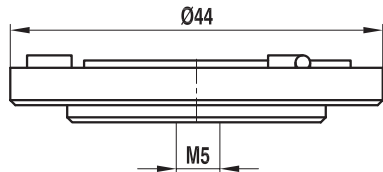


Renishaw adaptor plates for Zeiss probe heads

Part and description (schematic not shown to scale)	Item number	Renishaw part number	Zeiss part number	DK (mm)	ML1/ML (mm)	DG/D (mm)	L (mm)	DS1/DS (mm)	Number of pieces	Weight (g)
Adaptor plate for dynamic systems (ST). M5, aluminium.	1	A-5555-0322	600660-8240						1	72
	2	A-5555-0251	600660-8251						2	144



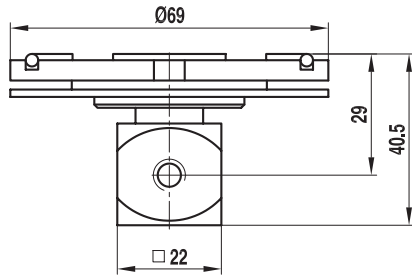
Part and description (schematic not shown to scale)	Item number	Renishaw part number	Zeiss part number	DK (mm)	ML1/ML (mm)	DG/D (mm)	L (mm)	DS1/DS (mm)	Number of pieces	Weight (g)
Adaptor plate for Prismo dynamic systems (ST). M5, aluminium.	1	A-5555-3900							1	72
	2	A-5555-0253	620660-8251-000						2	144



Renishaw adaptor plates for Zeiss probe heads

**Part and description
(schematic not shown to scale)**

Adaptor plate for measuring systems MT VAST.
M5, aluminium, with active ID chip.

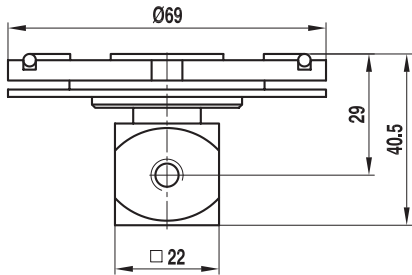


Item number	Renishaw part number	Zeiss part number	DK (mm)	ML1/ML (mm)	DK (mm)	L (mm)	DS/D (mm)	Number of pieces	Weight (g)
1	A-5555-0255	600667-9601						1	153
2	A-5555-0256	600667-9611						2	306
3	*A-5555-0258	600667-8571						1	130

* Adaptor plate without cube.

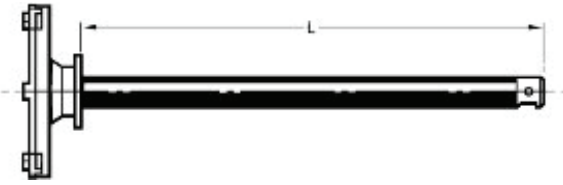
**Part and description
(schematic not shown to scale)**


Adaptor plate for XXT TL1.
Reference plate for XXT TL1.



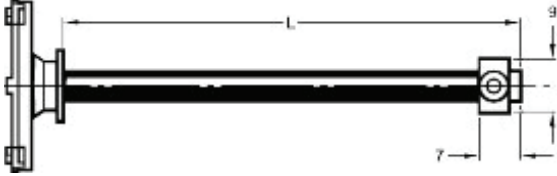
Item number	Renishaw part number	Zeiss part number	DK (mm)	ML1/ML (mm)	DK (mm)	L (mm)	DS/D (mm)	Number of pieces	Weight (g)
1	A-5555-1235	620161-8055-000						1	4.6
2	A-5555-1236	620161-8058-000						1	4.6


Renishaw adaptor plates for Zeiss probe heads

Part and description (schematic not shown to scale)	Item number	Renishaw part number	Zeiss part number	DK (mm)	ML1/ML (mm)	DK (mm)	L (mm)	DS/D (mm)	Number	Weight
									of	(g)
									pieces	
Adaptor plate for XXT TL2. Reference plate for XXT TL2.	1	A-5555-1237	620161-8066-000				75		1	5.4
	2	A-5555-1238	620161-8068-000				75		1	5.4
										

Part and description (schematic not shown to scale)	Item number	Renishaw part number	Zeiss part number	DK (mm)	ML1/ML (mm)	DK (mm)	L (mm)	DS/D (mm)	Number	Weight
									of	(g)
									pieces	
Adaptor plate for XXT TL3. Reference plate for XXT TL3.	1	A-5555-1239	620161-8075-000				75		1	4.6
	2	A-5555-1240	620161-8078-000				75		1	4.6
										

Renishaw adaptor plates for Zeiss probe heads

Part and description (schematic not shown to scale)	Item number	Renishaw part number	Zeiss part number	DK (mm)	ML1/ML (mm)	DK (mm)	L (mm)	DS/D (mm)	Number of pieces	Weight (g)
VAST XXT TL1 with star adaptor.	1	A-5555-1241	626103-8031-055				55		1	6.3
										

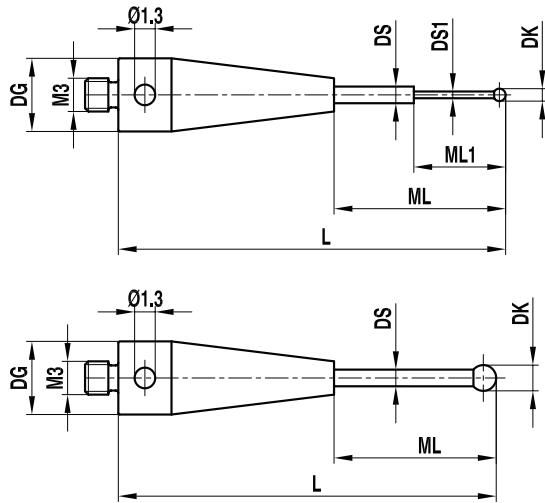
Part and description (schematic not shown to scale)	Item number	Renishaw part number	Zeiss part number	DK (mm)	ML1/ML (mm)	DK (mm)	L (mm)	DS/D (mm)	Number of pieces	Weight (g)
VAST XXT TL3 with star adaptor.	1	A-5555-1242	626103-8033-055				55		1	6.3
										

Renishaw M3 styli, adaptors and accessories for Zeiss analogue probe systems



**Part and description
(schematic not shown to scale)**

**Carbide styli XXT.
M3, titanium base, tungsten carbide stem, ruby ball.**



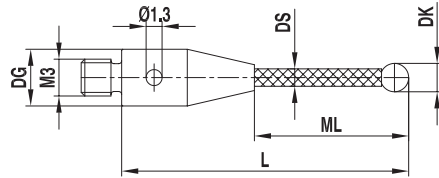
Item number	Renishaw part number	Zeiss part number	DK (mm)	ML1/ML (mm)	DG/D (mm)	L (mm)	DS1/DS (mm)	EAL/B (mm)	Weight (g)
1	A-5004-3176	626113-0030-013	0.3	2.3/4.0	5	13	0.2/1.0		0.62
2	A-5004-2185	626113-0030-020	0.3	2.3/11	5	20	0.2/1.0		0.69
3	A-5004-1702	626113-0050-013	0.5	2.3/4.0	5	13	0.3/1.0		0.61
4	A-5004-2186	626113-0050-020	0.5	2.3/11	5	20	0.3/1.0		0.69
5	A-5555-3853	626113-0060-014	0.6	4.6/5.0	5	14	0.4/1.0		0.61
6	A-5004-3179	626113-0060-020	0.6	4.6/11	5	20	0.4/1.0		0.68
7	A-5004-3273	626113-0080-014	0.8	5	5	14	0.6		0.62
8	A-5004-3274	626113-0080-020	0.8	4.8/11	5	20	0.6/1.0		0.69
9	A-5004-1883	626113-0080-034	0.8	4.1/25	5	34	0.6/1.0		0.8
10	A-5004-3187	626113-0100-014	1	5	5	14	0.8		0.63
11	A-5555-3854	626113-0101-020	1	5.1/11	5	20	0.6/1.0		0.7
12	A-5004-1863	626113-0100-020	1	5.0/11	5	20	0.8/1.0		0.69
13	A-5004-3519	626113-0103-020	1	11	5	20	0.8		0.7
14	A-5004-3427	626113-0100-030	1	5.0/21	5	30	0.8/1.0		0.8
15	A-5555-9341	626113-0100-040	1	5.0/31	5	40	0.8/1.0		1.5
16	A-5004-3272	626113-0150-014	1.5	5	5	14	1		0.65
17	A-5004-1862	626113-0150-020	1.5	11	5	20	1		0.72
18	A-5555-9339	626113-0151-030	1.5	21	5	30	1		0.84
19	A-5555-9340	626113-0150-030	1.5	22.5	5	30	1		0.9
20	A-5004-1779	626113-0151-040	1.5	31	5	40	1		1.6
21	A-5004-3188	626113-0200-014	2	5	5	14	1		0.66
22	A-5004-1861	626113-0200-020	2	11	5	20	1		0.72
23	A-5004-0656	626113-0200-030	2	21	5	30	1		0.83
24	A-5555-3855	626113-0201-040	2	31	5	40	1.5		1.7
25	A-5555-3856	626113-0250-020	2.5	11	5	20	1.5		1
26	A-5555-3857	626113-0250-030	2.5	21	5	30	1.5		1.5
27	A-5004-3428	626113-0250-040	2.5	31	5	40	1.5		2

Renishaw M3 styli, adaptors and accessories for Zeiss analogue probe systems



**Part and description
(schematic not shown to scale)**

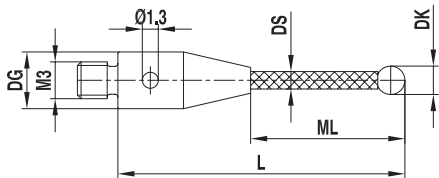
Reference styli XXT (red dot).
M3, titanium base, carbon fibre stem thermostable, ruby ball.



Item number	Renishaw part number	Zeiss part number	DK (mm)	ML1/ML (mm)	DG/D (mm)	L (mm)	DS1/DS (mm)	EAL/B (mm)	Weight (g)
1	A-5555-2033	626103-0501-030	5	21	5	30	3.5		1.1
2	A-5555-3858	626103-0501-050	5	41	5	30	3.5		1.4

**Part and description
(schematic not shown to scale)**

Carbon fibre styli XXT thermostable.
M3, titanium base, carbon fibre stem thermostable, ruby ball.



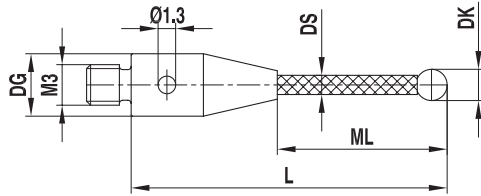
Item number	Renishaw part number	Zeiss part number	DK (mm)	ML1/ML (mm)	DG/D (mm)	L (mm)	DS1/DS (mm)	EAL/B (mm)	Weight (g)
1	A-5555-3859	626103-0300-025	3	16	5	25	2		0.65
2	A-5004-0802	626103-0300-033	3	24	5	33	2		0.7
3	A-5555-1251	626103-0300-040	3	31	5	40	2		0.8
4	A-5004-1884	626103-0300-042	3	33	5	42	2		0.8
5	A-5004-0803	626103-0300-050	3	41	5	50	2		0.8
6	A-5555-3860	626103-0300-058	3	49	5	58	2		1
7	A-5555-3861	626103-0300-059	3	50	5	59	2		1
8	A-5555-3862	626103-0300-075	3	66	5	75	2		1
9	A-5004-2786	626103-0401-050	4	41	5	50	2		1
10	A-5004-2108	626103-0500-030	5	21	5	30	3.5		1.1
11	A-5555-0863	626103-0500-040	5	31	5	40	3.5		1.2
12	A-5004-0806	626103-0500-050	5	41	5	50	3.5		1.4
13	A-5555-3864	626103-0500-060	5	51	5	60	3.5		1.5
14	A-5555-1114	626103-0501-075	5	66	5	75	3.5		1.8
15	A-5004-3429	626103-0600-050	6	40	5	50	3.5		1.5
16	A-5555-3865	626103-0610-070	6	61	5	70	3.5		1.8
17	A-5555-1115	626103-0600-100	6	91	5	100	3.5		2.4
18	A-5555-3866	626103-0800-030	8	30	5	30	5		1.86
19	A-5555-3867	626103-0830-050	8	50	5	50	5		2.1
20	A-5555-3868	626103-0830-070	8	70	5	70	5		2.6
21	A-5555-3869	626103-0830-100	8	100	5	100	5		2.7
22	A-5004-0808	626103-0800-125	8	125	5	125	5		2.9

Renishaw M3 styli, adaptors and accessories for Zeiss analogue probe systems



**Part and description
(schematic not shown to scale)**

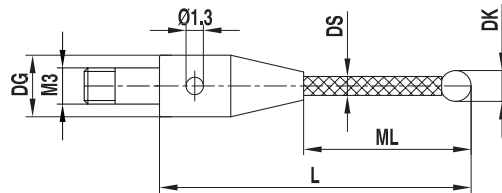
Carbon fibre styli XXT thermostable.
M3, titanium base, carbon fibre stem thermostable,
silicon nitride ball.



Item number	Renishaw part number	Zeiss part number	DK (mm)	ML1/ML (mm)	DG/D (mm)	L (mm)	DS1/DS (mm)	EAL/B (mm)	Weight (g)
1	A-5555-3870	626103-0301-033	3	24	5	33	2		0.7
2	A-5555-3871	626103-0301-050	3	41	5	50	2		0.8
3	A-5555-3872	626103-0502-050	5	41	5	50	3.5		1.4
4	A-5004-1858	626103-0500-075	5	66	5	75	3.5		1.8
5	A-5555-3873	626103-0801-070	8	70	5	70	5		2.6
6	A-5555-3874	626103-0801-125	8	125	5	125	5		2.9

**Part and description
(schematic not shown to scale)**

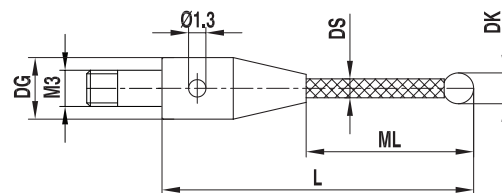
Carbon fibre clamping styli XXT thermostable.
M3, titanium base, carbon fibre stem thermostable,
ruby ball.



Item number	Renishaw part number	Zeiss part number	DK (mm)	ML1/ML (mm)	DG/D (mm)	L (mm)	DS1/DS (mm)	EAL/B (mm)	Weight (g)
1	A-5555-3875	626103-0301-020	3	11	5	20	2		0.7
2	A-5555-3876	626103-0301-030	3	21	5	30	2		0.75
3	A-5004-3282	626103-0301-040	3	31	5	40	2		0.8

**Part and description
(schematic not shown to scale)**

Carbon fibre clamping styli XXT thermostable.
M3, titanium base, carbon fibre stem thermofit,
silicon nitride ball.



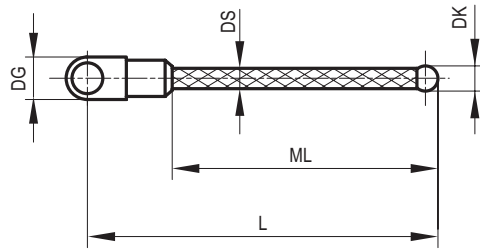
Item number	Renishaw part number	Zeiss part number	DK (mm)	ML1/ML (mm)	DG/D (mm)	L (mm)	DS1/DS (mm)	EAL/B (mm)	Weight (g)
1	A-5555-3877	626103-0311-020	3	11	5	20	2		0.7
2	A-5555-3878	626103-0311-030	3	21	5	30	2		0.75
3	A-5555-3879	626103-0311-040	3	31	5	40	2		0.8

Renishaw M3 styli, adaptors and accessories for Zeiss analogue probe systems



**Part and description
(schematic not shown to scale)**

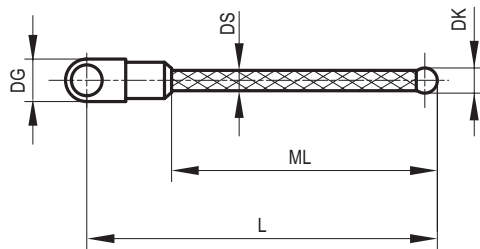
1/4 star styli carbon fibre XXT thermostable.
M3, titanium base, carbon fibre stem thermostable,
ruby ball.



Item number	Renishaw part number	Zeiss part number	DK (mm)	ML1/ML (mm)	DG/D (mm)	L (mm)	DS1/DS (mm)	EAL/B (mm)	Weight (g)
1	A-5555-1273	626103-0302-020	3	11	5	20	2		0.8
2	A-5555-1274	626103-0302-030	3	21	5	30	2		0.9
3	A-5555-1275	626103-0302-040	3	31	5	40	2		1

**Part and description
(schematic not shown to scale)**

1/4 star styli carbon fibre XXT thermostable.
M3, titanium base, carbon fibre stem thermostable,
silicon nitride ball.



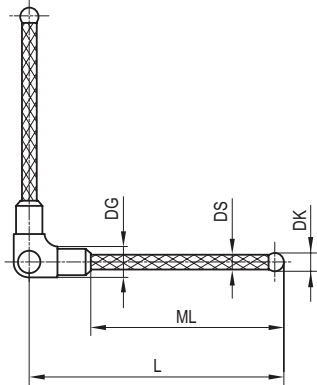
Item number	Renishaw part number	Zeiss part number	DK (mm)	ML1/ML (mm)	DG/D (mm)	L (mm)	DS1/DS (mm)	EAL/B (mm)	Weight (g)
1	A-5555-3880	626103-0312-020	3	11	5	20	2		0.8
2	A-5555-3881	626103-0312-030	3	21	5	30	2		0.9
3	A-5555-3901	626103-0312-040	3	31	5	40	2		1

Renishaw M3 styli, adaptors and accessories for Zeiss analogue probe systems



**Part and description
(schematic not shown to scale)**

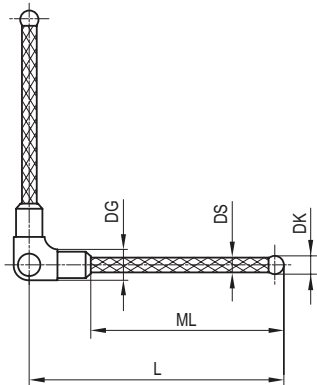
1/4 star styli carbon fibre XXT thermostable 90 degrees. M3, titanium base, carbon fibre stem thermostable, ruby ball.



Item number	Renishaw part number	Zeiss part number	DK (mm)	ML1/ML (mm)	DG/D (mm)	L (mm)	DS1/DS (mm)	EAL/B (mm)	Weight (g)
1	A-5555-3882	626103-0303-020	3	11	5	20	2		1.4
2	A-5555-3883	626103-0303-030	3	21	5	30	2		1.5
3	A-5004-3284	626103-0303-040	3	31	5	40	2		1.6

**Part and description
(schematic not shown to scale)**

1/2 star styli carbon fibre XXT thermostable 90 degrees. M3, titanium base, carbon fibre stem thermostable, ruby ball.



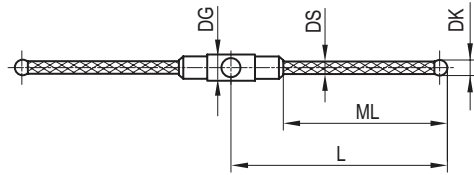
Item number	Renishaw part number	Zeiss part number	DK (mm)	ML1/ML (mm)	DG/D (mm)	L (mm)	DS1/DS (mm)	EAL/B (mm)	Weight (g)
1	A-5555-3884	626103-0313-020	3	11	5	20	2		1.4
2	A-5555-3885	626103-0313-030	3	21	5	30	2		1.5
3	A-5555-3886	626103-0313-040	3	31	5	40	2		1.6

Renishaw M3 styli, adaptors and accessories for Zeiss analogue probe systems



**Part and description
(schematic not shown to scale)**

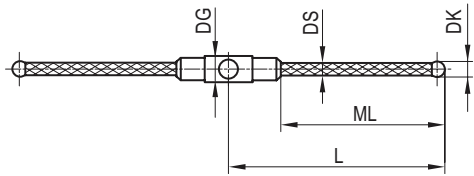
1/2 star styli carbon fibre XXT thermostable 180 degrees. M3, titanium base, carbon fibre stem thermostable, ruby ball.



Item number	Renishaw part number	Zeiss part number	DK (mm)	ML1/ML (mm)	DG/D (mm)	L (mm)	DS1/DS (mm)	EAL/B (mm)	Weight (g)
1	A-5555-3887	626103-0304-020	3	11	5	20	2		1.4
2	A-5555-3888	626103-0304-030	3	21	5	30	2		1.5
3	A-5004-0654	626103-0304-040	3	31	5	40	2		1.6

**Part and description
(schematic not shown to scale)**

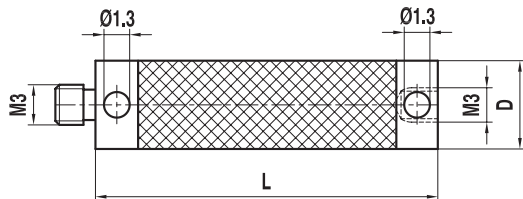
1/2 star styli carbon fibre XXT thermostable 180 degrees. M3, titanium base, carbon fibre stem thermostable, silicon nitride ball.



Item number	Renishaw part number	Zeiss part number	DK (mm)	ML1/ML (mm)	DG/D (mm)	L (mm)	DS1/DS (mm)	EAL/B (mm)	Weight (g)
1	A-5555-3889	626103-0314-020	3	11	5	20	2		1.4
2	A-5555-3890	626103-0314-030	3	21	5	30	2		1.5
3	A-5555-3891	626103-0314-040	3	31	5	40	2		1.6

**Part and description
(schematic not shown to scale)**

Extension XXT. M3, black carbon fibre thermostable, titanium ends.

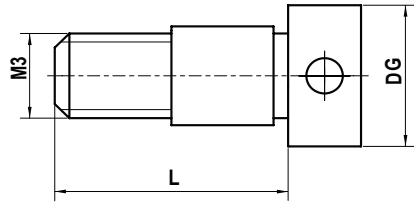


Item number	Renishaw part number	Zeiss part number	DK (mm)	ML1/ML (mm)	DG/D (mm)	L (mm)	DS1/DS (mm)	EAL/B (mm)	Weight (g)
1	A-5555-3892	623103-5020-000			5	20			1.2
2	A-5555-1947	623103-5025-000			5	25			1.25
3	A-5004-3430	623103-5030-000			5	30			1.3
4	A-5555-3893	623103-5040-000			5	40			1.4
5	A-5004-0002	623103-5050-000			5	50			1.5
6	A-5555-3894	623103-5060-000			5	60			1.7
7	A-5555-1948	623103-5075-000			5	75			1.7
8	A-5004-2001	623103-5080-000			5	80			1.8
9	A-5004-1859	623103-5100-000			5	100			2
10	A-5555-3895	623103-5130-000			5	130			2.5
11	A-5555-1276	623103-5150-000			5	150			2.7

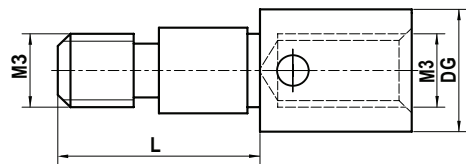
Renishaw M3 styli, adaptors and accessories for Zeiss analogue probe systems



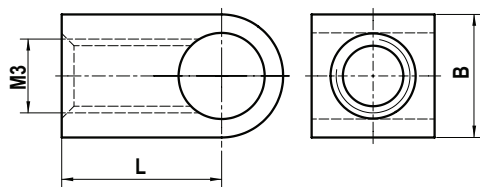
Part and description (schematic not shown to scale)	Item number	Renishaw part number	Zeiss part number	DK (mm)	ML1/ML (mm)	DG/D (mm)	L (mm)	DS1/DS (mm)	EAL/B (mm)	Weight (g)
Clamping screw XXT. M3, titanium.	1	A-5004-1856	626103-6110-004			5	8			0.5



Part and description (schematic not shown to scale)	Item number	Renishaw part number	Zeiss part number	DK (mm)	ML1/ML (mm)	DG/D (mm)	L (mm)	DS1/DS (mm)	EAL/B (mm)	Weight (g)
Clamping screw XXT with internal M3 thread. M3, titanium.	1	A-5004-1857	626103-6110-005			5	8			0.7

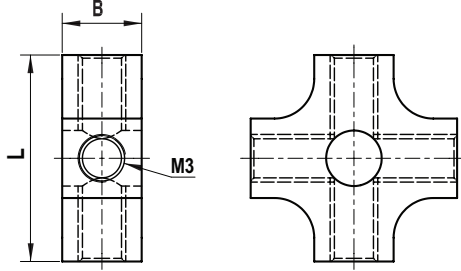


Part and description (schematic not shown to scale)	Item number	Renishaw part number	Zeiss part number	DK (mm)	ML1/ML (mm)	DG/D (mm)	L (mm)	DS1/DS (mm)	EAL/B (mm)	Weight (g)
Cube XXT 90 degrees, 1 way. M3, titanium.	1	A-5004-3437	626103-6110-001				6.5		5	0.64



Renishaw M3 styli, adaptors and accessories for Zeiss analogue probe systems

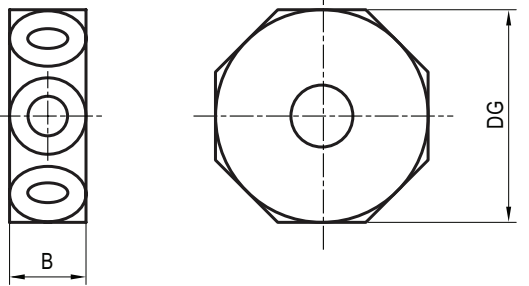
Part and description (schematic not shown to scale)	Item number	Renishaw part number	Zeiss part number	DK (mm)	ML1/ML (mm)	DG/D (mm)	L (mm)	DS1/DS (mm)	EAL/B (mm)	Weight (g)
<p>Cube XXT 180 degrees, 2 ways. M3, titanium.</p> 	1	A-5555-3896	626103-6110-002				13		5	1.05

Part and description (schematic not shown to scale)	Item number	Renishaw part number	Zeiss part number	DK (mm)	ML1/ML (mm)	DG/D (mm)	L (mm)	DS1/DS (mm)	EAL/B (mm)	Weight (g)
<p>Cube star XXT. M3, titanium.</p> 	1	A-5555-3897	626103-6110-003				13		5	1.8

Renishaw M3 styli, adaptors and accessories for Zeiss analogue probe systems



Part and description (schematic not shown to scale)	Item number	Renishaw part number	Zeiss part number	DK (mm)	ML1/ML (mm)	DG/D (mm)	L (mm)	DS1/DS (mm)	EAL/B (mm)	Weight (g)
Cube XXT, 6 star. M3, titanium. 	1	A-5555-3898	626103-6110-006			12			5	

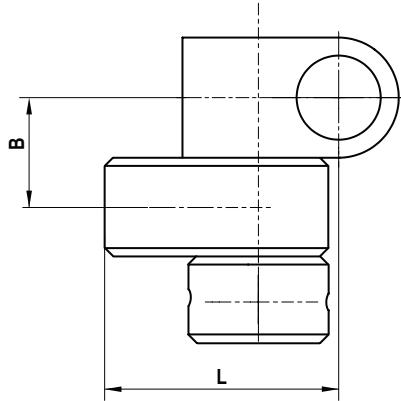
Part and description (schematic not shown to scale)	Item number	Renishaw part number	Zeiss part number	DK (mm)	ML1/ML (mm)	DG/D (mm)	L (mm)	DS1/DS (mm)	EAL/B (mm)	Weight (g)
Cube star XXT, 8 star. M3, titanium. 	1	A-5555-3899	626103-6110-007			14			5	

Renishaw M3 styli, adaptors and accessories for Zeiss analogue probe systems



**Part and description
(schematic not shown to scale)**

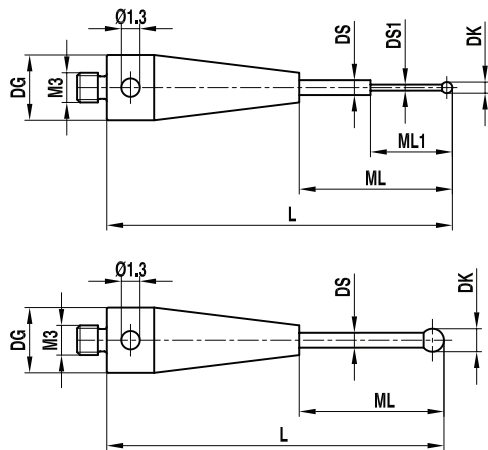
Knuckle XXT.
M3, titanium.



Item number	Renishaw part number	Zeiss part number	DK (mm)	ML1/ML (mm)	DG/D (mm)	L (mm)	DS1/DS (mm)	EAL/B (mm)	Weight (g)
1	A-5004-3285	626103-6180-001				10		5	1.65

**Part and description
(schematic not shown to scale)**

Tungsten carbide styli.
M3, stainless steel base, tungsten carbide stem, ruby ball.



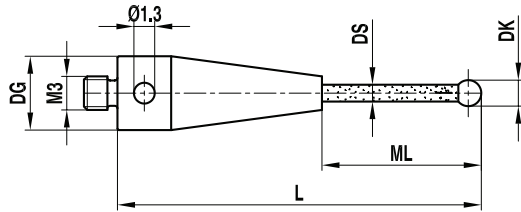
Item number	Renishaw part number	Zeiss part number	DK (mm)	ML1/ML (mm)	DG/D (mm)	L (mm)	DS1/DS (mm)	EAL/B (mm)	Weight (g)
1	A-5555-0261	602030-8104	2	9	4	22	1		1
2	A-5555-0263	602030-8113	3	21.5	5.5	40	2		4
3	A-5555-0265	602030-8112	4	23	4	33	2.5		2.5
4	A-5555-0267	602030-8115	0.5	2.5/9.0	4	22	0.3/1.0		1
5	A-5555-0268	602030-8116	0.6	4.6/9.0	4	22	0.4/1.0		1
6	A-5555-0269	602030-8117	0.8	4.8/9.0	4	22	0.6/1.0		1
7	A-5555-0270	602030-8118	1	5.0/9.0	4	22	0.8/1.0		1
8	A-5555-0271	602030-8119	1.5	9	4	22	1		1
9	A-5555-0272	602030-8120	1	5.0/5.5	4	10.5	0.8/10.0		1
10	A-5555-0273	602030-8121	0.3	2.3/9.0	4	22	0.2/1.0		1
11	A-5555-0274	602030-8023	2	15	4	21	1		1
12	A-5555-0276	603020-8021	3	15.5	4	21.5	1.5		1
13	A-5555-0277	602030-8106	3	13	4	21	2		1

Renishaw M3 styli, adaptors and accessories for Zeiss analogue probe systems



**Part and description
(schematic not shown to scale)**

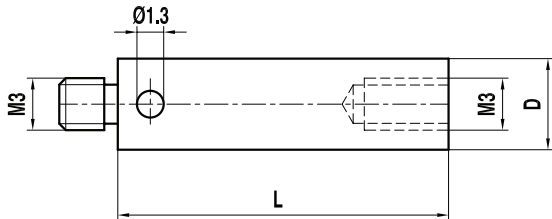
Ceramic styli.
M3, stainless steel base, ceramic stem, ruby ball.



Item number	Renishaw part number	Zeiss part number	DK (mm)	ML1/ML (mm)	DG/D (mm)	L (mm)	DS1/DS (mm)	EAL/B (mm)	Weight (g)
1	A-5555-0264	602030-8102	4	26	4	32	2		1
2	A-5555-0266	602030-8101	5	19	4	32	2		1
3	A-5555-0275	602030-8020	6	9	4	13	2		1

**Part and description
(schematic not shown to scale)**

Stainless steel extensions.
M3, stainless steel.



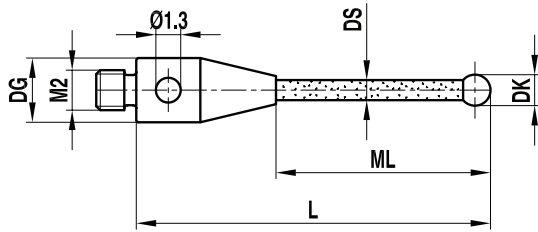
Item number	Renishaw part number	Zeiss part number	DK (mm)	ML1/ML (mm)	DG/D (mm)	L (mm)	DS1/DS (mm)	EAL/B (mm)	Weight (g)
1	M-5000-7633	602030-8301			4	10			0.7
2	M-5000-3592	602030-8302			4	20			1.6
3	A-5555-0286	602030-8303			4	30			2.6
4	A-5555-0287	602030-8304			4	40			3.7
5	A-5555-0288	602030-8305			4	50			4.7

Renishaw M2 styli, adaptors and accessories for Zeiss analogue probe systems



**Part and description
(schematic not shown to scale)**

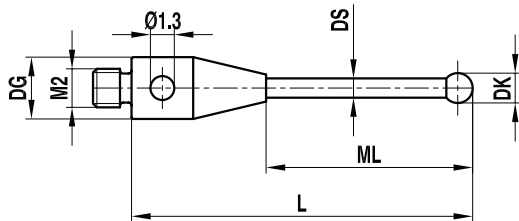
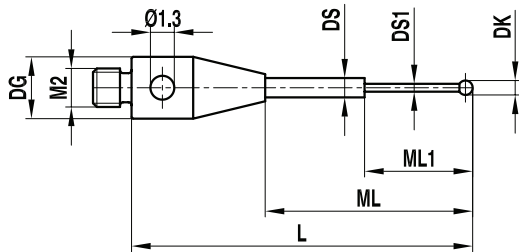
Ceramic styli.
M2, stainless steel base, ceramic stem, ruby ball.



Item number	Renishaw part number	Zeiss part number	DK (mm)	ML1/ML (mm)	DG/D (mm)	L (mm)	DS1/DS (mm)	EAL/B (mm)	Weight (g)
1	A-5555-0278	602030-8002	6	9	3	13	2		1
2	A-5555-0279	602030-8004	5	16.5	3	22.5	2		1

**Part and description
(schematic not shown to scale)**

Tungsten carbide styli.
M2, stainless steel base, tungsten carbide stem, ruby ball.



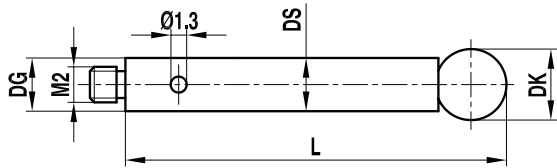
Item number	Renishaw part number	Zeiss part number	DK (mm)	ML1/ML (mm)	DG/D (mm)	L (mm)	DS1/DS (mm)	EAL/B (mm)	Weight (g)
1	A-5555-0308	602030-8006	1	6.5	3	10.5	0.8		0.3
2	A-5555-0309	602030-8007	1	11.5	3	15.5	0.8		0.3
3	A-5555-0282	602030-8001	2	5	3	11	1		1
4	A-5555-0310	602030-8008	2	7	3	11	1		1
5	A-5555-0311	602030-8009	2	12	3	16	1		1
6	A-5555-0281	602030-8005	2	15	3	21	1		1
7	A-5003-0938	602030-8003	3	15.5	3	21.5	1.5		1
8	A-5555-0312	602030-8015	4	8	3	12	2.5		1
9	A-5555-0313	602030-8016	4	18	3	22	2.5		1
10	A-5555-0283	602030-8034	5	16.5	3	22.5	2		1

Renishaw M2 styli, adaptors and accessories for Zeiss analogue probe systems



**Part and description
(schematic not shown to scale)**

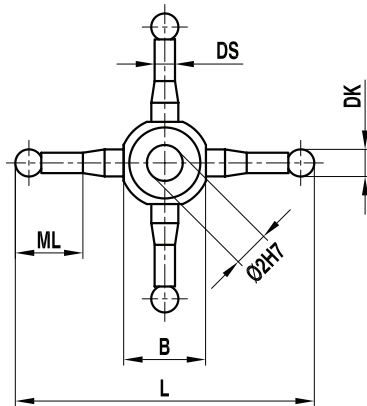
Steel styli.
M2, stainless steel base and stem, ruby ball.



Item number	Renishaw part number	Zeiss part number	DK (mm)	ML1/ML (mm)	DG/D (mm)	L (mm)	DS1/DS (mm)	EAL/B (mm)	Weight (g)
1	A-5555-0314	602030-8017	6	13	3	13	3		0.9
2	A-5555-0315	602030-8018	6	28	3	28	3		1.8
3	A-5555-0316	602030-8019	8	13	3	13	3		2

**Part and description
(schematic not shown to scale)**

Star styli.
M2, stainless steel cube base and stems, ruby balls.



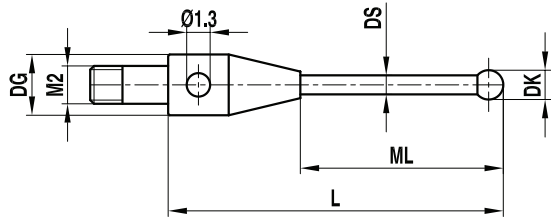
Item number	Renishaw part number	Zeiss part number	DK (mm)	ML1/ML (mm)	DG/D (mm)	L (mm)	DS1/DS (mm)	EAL/B (mm)	Weight (g)
1	A-5555-0294	602030-8011	2	9.5		32	1.4	5.5	1
2	A-5555-0295	602030-8010	2	4.5		22	1.4	5.5	1

Renishaw M2 styli, adaptors and accessories for Zeiss analogue probe systems



**Part and description
(schematic not shown to scale)**

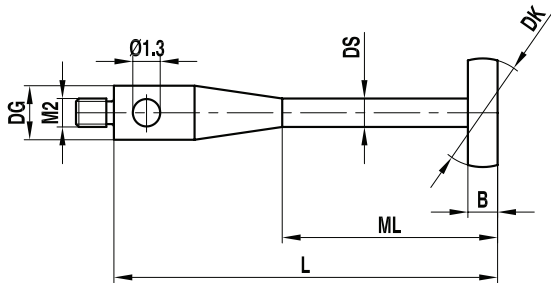
Styli for star configuration.
M2, stainless steel base and stem, ruby ball.



Item number	Renishaw part number	Zeiss part number	DK (mm)	ML1/ML (mm)	DG/D (mm)	L (mm)	DS1/DS (mm)	EAL/B (mm)	Weight (g)
1	A-5555-0296	602030-8012	2	13.5	3	19.5	1.5		1

**Part and description
(schematic not shown to scale)**

Spherical disc styli.
M2, stainless steel base, tungsten carbide stem, ceramic disc.



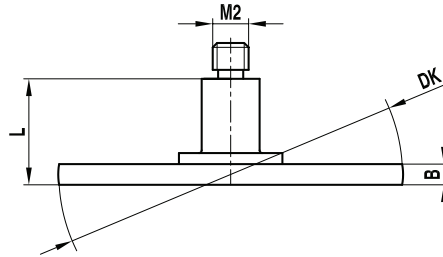
Item number	Renishaw part number	Zeiss part number	DK (mm)	ML1/ML (mm)	DG/D (mm)	L (mm)	DS1/DS (mm)	EAL/B (mm)	Weight (g)
1	A-5555-0297	602030-8201	8	19	3	32	1.5	1.5	1
2	A-5555-0298	602030-8202	4	19	3	32	1	1	1

Renishaw M2 styli, adaptors and accessories for Zeiss analogue probe systems



**Part and description
(schematic not shown to scale)**

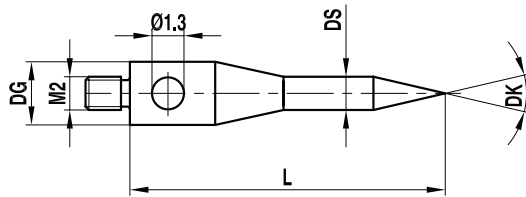
Spherical disc styli.
M2, stainless steel base and stem, ceramic disc.



Item number	Renishaw part number	Zeiss part number	DK (mm)	ML1/ML (mm)	DG/D (mm)	L (mm)	DS1/DS (mm)	EAL/B (mm)	Weight (g)
1	A-5555-0299	602030-8203	14			5.5		2	1
2	A-5555-0300	602030-8204	20			5.5		2.5	3

**Part and description
(schematic not shown to scale)**

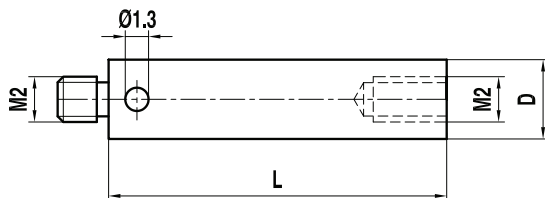
Pointer styli.
M2, stainless steel base, cone point tungsten carbide.



Item number	Renishaw part number	Zeiss part number	DK (mm)	ML1/ML (mm)	DG/D (mm)	L (mm)	DS1/DS (mm)	EAL/B (mm)	Weight (g)
1	A-5555-0317	602030-8342	30 deg		3	10	1.5		1
2	A-5000-0318	602030-8343	60 deg		3	10	1.5		1

**Part and description
(schematic not shown to scale)**

Stainless steel extension.
M2, stainless steel.



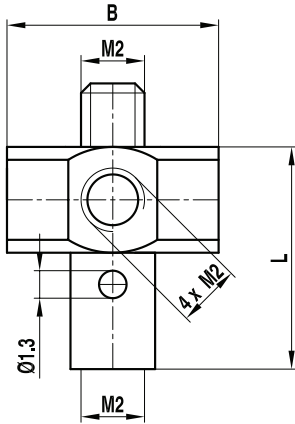
Item number	Renishaw part number	Zeiss part number	DK (mm)	ML1/ML (mm)	DG/D (mm)	L (mm)	DS1/DS (mm)	EAL/B (mm)	Weight (g)
1	M-5000-7634	602030-8321			3	5			0.2
2	M-5000-3647	602030-8322			3	10			0.5
3	M-5000-3648	602030-8323			3	20			1
4	M-5000-4162	602030-8324			3	30			1.4
5	M-5000-7779	602030-8325			3	40			2.2

Renishaw M2 styli, adaptors and accessories for Zeiss analogue probe systems



**Part and description
(schematic not shown to scale)**

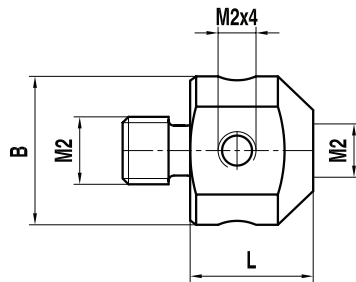
5 way holder, rotary.
M2, stainless steel.



Item number	Renishaw part number	Zeiss part number	DK (mm)	ML1/ML (mm)	DG/D (mm)	L (mm)	DS1/DS (mm)	EAL/B (mm)	Weight (g)
1	A-5000-3627	602030-8381				7.5		7	1.2



**Part and description
(schematic not shown to scale)**

5 way holder.
M2, stainless steel.



Item number	Renishaw part number	Zeiss part number	DK (mm)	ML1/ML (mm)	DG/D (mm)	L (mm)	DS1/DS (mm)	EAL/B (mm)	Weight (g)
1	A-5555-0319	602030-9104				9.1		10.5	3.4
2	A-5555-0320	602030-9103				5.4		7	1

Renishaw tools and accessories for assembly of M2, M3 and M5 styli to Zeiss measuring probe heads

Part and description	Item number	Renishaw part number	Zeiss part number	DK (mm)	ML1/ML (mm)	DG/D (mm)	L (mm)	DS1/DS (mm)	EAL/B (mm)	Weight (g)
Stylus tool (M2 and M3 styli).	1	A-5555-0233	602030-0001	1.2			23			1
										
Part and description	Item number	Renishaw part number	Zeiss part number	DK (mm)	ML1/ML (mm)	DG/D (mm)	L (mm)	DS1/DS (mm)	EAL/B (mm)	Weight (g)
Allen keys DIN 911.	1	A-5555-0234	602030-0002						SW1.5	1
	2	A-5555-0235	602030-0042						SW0.9	1
	3	A-5555-0236	602030-0021						SW2.5	2
Part and description	Item number	Renishaw part number	Zeiss part number	DK (mm)	ML1/ML (mm)	DG/D (mm)	L (mm)	DS1/DS (mm)	EAL/B (mm)	Weight (g)
Toolkit, consisting of:	1	A-5555-0237	600341-8595							
1 x offset screwdriver DIN 911-2		A-5555-0328							SW2	1
1 x offset screwdriver DIN 911-3		A-5555-0327							SW3	5
1 x offset screwdriver DIN 911-4		A-5555-0326							SW4	10
2 x pin-type spanner 2.9		A-5555-0333		2.9		5	70			15 each
1 x single-headed spanner DIN 894		A-5555-0325							SW13	39
Part and description	Item number	Renishaw part number	Zeiss part number	DK (mm)	ML1/ML (mm)	DG/D (mm)	L (mm)	DS1/DS (mm)	EAL/B (mm)	Weight (g)
Stylus tool kit, consisting of two pin-type 2.9.	1	A-5555-0238	600341-8596	2.9		5	70			15
Part and description	Item number	Renishaw part number	Zeiss part number	DK (mm)	ML1/ML (mm)	DG/D (mm)	L (mm)	DS1/DS (mm)	EAL/B (mm)	Weight (g)
Stylus tool 1.7 for M5.	1	A-5555-0239	602030-0027	1.7		2.5	49			1
Part and description	Item number	Renishaw part number	Zeiss part number	DK (mm)	ML1/ML (mm)	DG/D (mm)	L (mm)	DS1/DS (mm)	EAL/B (mm)	Weight (g)
Pin-type spanner 2.9 for M5.	1	A-5555-0240	602030-0222	2.9		5	70			7.5

Renishaw tools and accessories for assembly of M2, M3 and M5 styli to Zeiss measuring probe heads



Part and description	Item number	Renishaw part number	Zeiss order number	DK (mm)	ML1/ML (mm)	DG/D (mm)	L (mm)	DS1/DS (mm)	EAL/B (mm)	Weight (g)
Assortment of screws, comprising:	1	A-5555-0241	600341-8590							27
10 x spring washer FS 5x7										
2 x cheese-head screw M5x12							12			
2 x cheese-head screw M5x20							20			
4 x grub screw, L = 10							10			
2 x grub screw, L = 25							25			
Part and description	Item number	Renishaw part number	Zeiss order number	DK (mm)	ML1/ML (mm)	DG/D (mm)	L (mm)	DS1/DS (mm)	EAL/B (mm)	Weight (g)
Spring-lock washers, consisting of 10 x FS 5.7 spring-lock washers.	1	A-5555-0242	600341-0042							
Part and description	Item number	Renishaw part number	Zeiss order number	DK (mm)	ML1/ML (mm)	DG/D (mm)	L (mm)	DS1/DS (mm)	EAL/B (mm)	Weight (g)
C spanners DIN 1810.	1	A-5555-0243	602030-0045	11						
	2	A-5555-0244	602030-0044	21						

Renishaw plc

New Mills, Wotton-under-Edge,
Gloucestershire, GL12 8JR
United Kingdom

T +44 (0)1453 524524
F +44 (0)1453 524901
E uk@renishaw.com
www.renishaw.com

RENISHAW 
apply innovation™

Renishaw applies innovation to provide solutions to your problems

Renishaw is an established world leader in metrology, providing high performance, cost-effective solutions for measurement and increased productivity. A worldwide network of subsidiary companies and distributors provides exceptional service and support for its customers.

Renishaw designs, develops and manufactures products which conform to ISO 9001 standards.

Renishaw provides innovative solutions using the following products:

- Probe systems for inspection on CMMs (co-ordinate measuring machines).
- Systems for job set-up, tool setting and inspection on machine tools.
- Scanning and digitising systems.
- Laser and automated ballbar systems for performance measurement and calibration of machines.
- Encoder systems for high accuracy position feedback.
- Spectroscopy systems for non-destructive material analysis in laboratory and process environments.
- Styli for inspection and tool setting probes.
- Customised solutions for your applications.

Renishaw worldwide

Australia

T +61 3 9521 0922
E australia@renishaw.com

Austria

T +43 2236 379790
E austria@renishaw.com

Brazil

T +55 11 4195 2866
E brazil@renishaw.com

Canada

T +1 905 828 0104
E canada@renishaw.com

The People's Republic of China

T +86 21 63534897
E shanghai@renishaw.com

Czech Republic

T +420 548 216 553
E czech@renishaw.com

France

T +33 1 64 61 84 84
E france@renishaw.com

Germany

T +49 7127 981-0
E germany@renishaw.com

Hong Kong

T +852 2753 0638
E hongkong@renishaw.com

Hungary

T +36 23 502 183
E hungary@renishaw.com

India

T + 91 20 6674 6200
E india@renishaw.com

Indonesia

T +62 21 2550 2467
E indonesia@renishaw.com

Israel

T +972 4 593 6595
E israel@renishaw.com

Italy

T +39 011 966 10 52
E italy@renishaw.com

Japan

T +81 3 5366 5324
E japan@renishaw.com

Malaysia

T +60 3 5631 4420
E malaysia@renishaw.com

The Netherlands

T +31 76 543 11 00
E benelux@renishaw.com

Poland

T +48 22 577 11800
E poland@renishaw.com

Russia

T +7 495 231 1677
E russia@renishaw.com

Singapore

T +65 6897 5466
E singapore@renishaw.com

Slovenia

T +386 1 527 2100
E mail@rls.si

South Korea

T +82 2 2108 2830
E korea@renishaw.com

Spain

T +34 93 663 34 20
E spain@renishaw.com

Sweden

T +46 8 584 90 880
E sweden@renishaw.com

Switzerland

T +41 55 415 50 60
E switzerland@renishaw.com

Taiwan

T +886 4 2473 3177
E taiwan@renishaw.com

Thailand

T +66 2746 9811
E thailand@renishaw.com

Turkey

T +90 216 380 92 40
E turkey@renishaw.com

UK (Head Office)

T +44 1453 524524
E uk@renishaw.com

USA

T +1 847 286 9953
E usa@renishaw.com

For all other countries

T +44 1453 524524
E international@renishaw.com