



94 JACKSON ROAD, SUITE 110, DEVENS, MA 01434

ADAPTORS

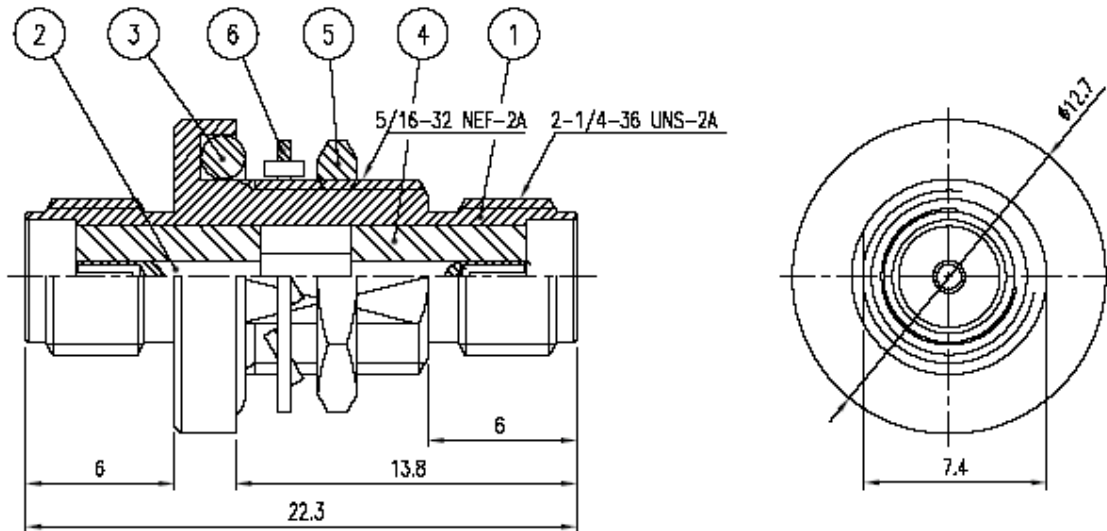
Model RMAD.IS.SMAffBH

In Series – SMA female/female BH

Frequency (GHz)	Impedance (Ω)	VSWR (max)	Insertion Loss (dB f=frequency GHz)
DC – 18	50	$1.05 + 0.005 f$ (GHz)	$0.07 f^{1/2}$

Notes:

- Material:
Body: stainless steel/passivate
Socket Contacts: BeCu/gold
- Operation temperature: -65C to +105C deg
- Interface: SMA per MIL-C-83517 & IEC169-15



Telephone: 978-772-3767

Fax: 978-772-3768

www.responsemicrowave.com