



94 JACKSON ROAD, SUITE 110, DEVENS, MA 01434

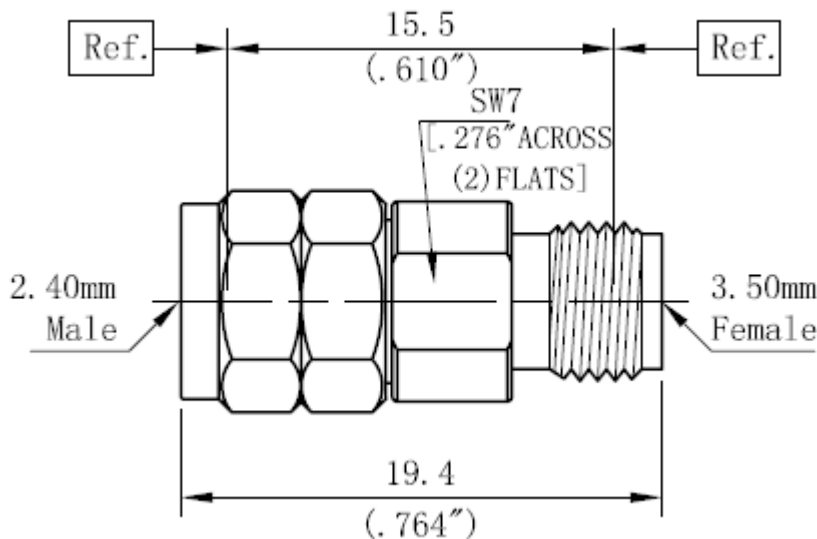
## ADAPTORS

Model RMAD.BS.3524fm Between Series – 3.5mm female to 2.4mm male

Frequency (GHz)	Impedance ( $\Omega$ )	VSWR (max)	Insertion Loss (dB f=frequency GHz)
DC – 33	50	1.15:1	0.07 f <sup>1</sup> / <sub>2</sub>

### Notes:

- Material:  
 Body: SUS303 stainless steel/passivate  
 Socket Contacts: BeCu/gold  
 Dielectric: PEI
- Operation temperature: -65C to +105C deg



Dimensions are in mm. All specifications subject to change

Telephone: 978-772-3767

Fax: 978-772-3768

[www.responsemicrowave.com](http://www.responsemicrowave.com)