



94 JACKSON RD, SUITE 110, DEVENS, MA 01434

## Isolators / Circulators

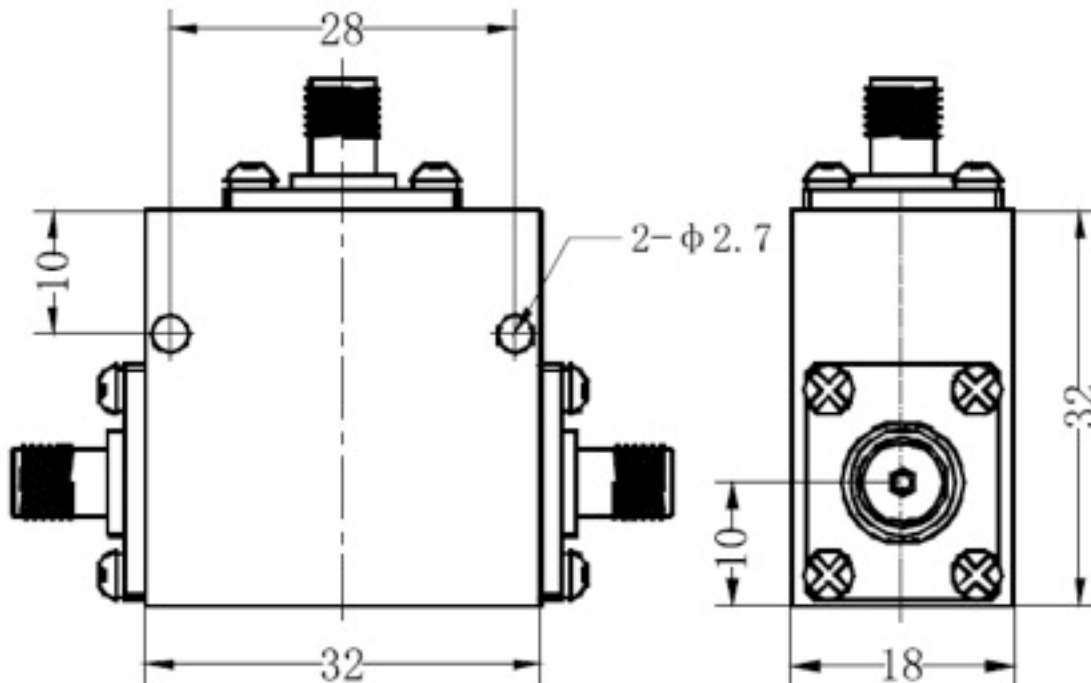
**Model RMCI.2-4Sf**

**Circulator SMA female**

Frequency (MHz)	Insertion Loss (dB max)	Isolation (dB min)	VSWR (max)
2000 - 4000	0.5	17	1.30 : 1

### Notes:

- Input and output impedance: 50 Ohms
- Connector: SMA female 3 places
- Power: 2w CW, 50W Peak
- Case material: Aluminum alloy
- Operation temperature: -35C to +80C deg



All specifications are subject to change without notice.

Telephone: 978-772-3767

Fax: 978-772-3768

[www.responsemicrowave.com](http://www.responsemicrowave.com)