



94 JACKSON ROAD, SUITE 110, DEVENS, MA 01434 USA

Power Combiner/Divider

Model RMPD2.3000Nf

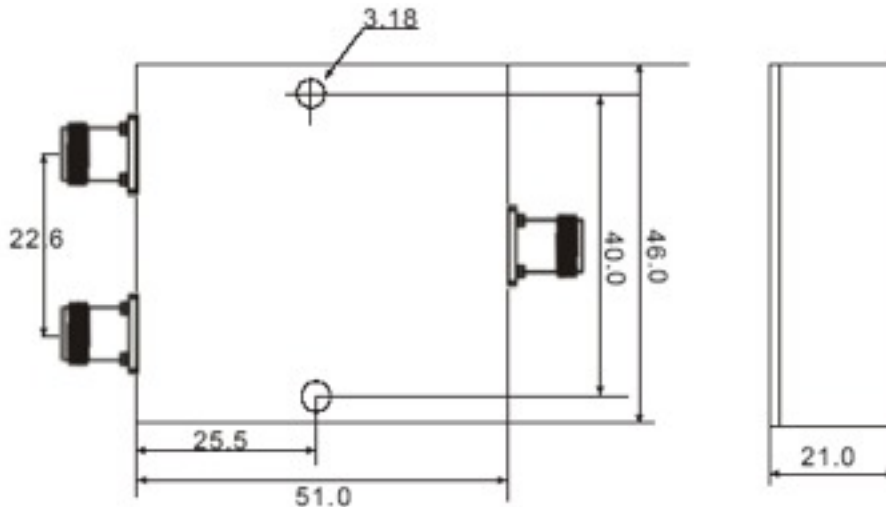
2-Way, 0° N female

Frequency (MHz)	Insertion Loss (dB typ)	Isolation (dB min)	VSWR (max)	Phase Balance (°)	Amplitude Balance (dB)
600 - 3000	0.35	20	1.3:1	2	0.2

Notes:

- Input and output impedance: 50 Ohms
- Connector: N female 3 places
- Power: Forward 50 W CW Reverse: 1 W
- Case material: Aluminum alloy w/clear iridite finish
- Weatherized
- Operation temperature: -55C to +85C deg

Complies with the requirement set out the Council Directive 2002/95/EC. The following standards were applied: EPA3050B&AAS, EPA3060A&EPA7196, EPA3052&AAS, EN1122: 2001&AAS, EPA3540C&GC-MS



All specifications are subject to change without notice.

Telephone: 978-772-3767

Fax: 978-772-3768

www.responsemicrowave.com