



94 JACKSON ROAD, SUITE 110, DEVENS, MA 01434 USA

Power Combiner/Divider

Model RMPD2.500-1000Sf

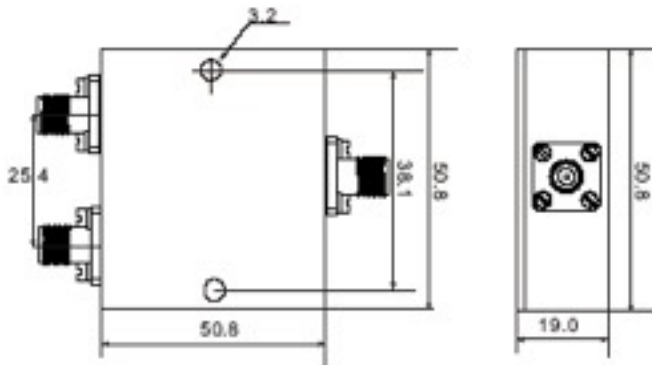
2-Way, SMA female

Frequency (MHz)	Insertion Loss (dB max)	Isolation (dB min)	VSWR (max)	Phase Balance (°)	Amplitude Balance (dB)
500 - 1000	0.5	20	1.4:1	2	0.3

Notes:

- Input and output impedance: 50 Ohms
- Connector: SMA female 3 places
- Power: 50 W forward, 1W reverse
- Case material: Aluminum alloy w/iridite finish
- Operation temperature: -35C to +85C deg

Complies with the requirement set out the Council Directive 2002/95/EC. The following standards were applied: EPA3050B&AAS, EPA3060A&EPA7196, EPA3052&AAS, EN1122: 2001&AAS, EPA3540C&GC-MS



All specifications are subject to change without notice.

Telephone: 978-772-3767

Fax: 978-772-3768

www.responsemicrowave.com