



94 Jackson Road, Devens, MA 01434-4012 USA

## ADAPTORS

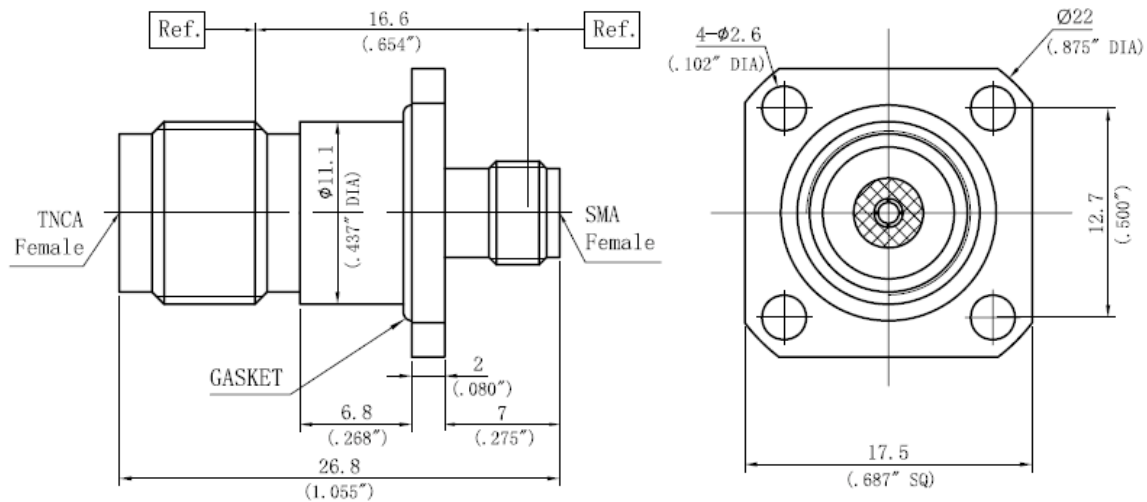
Model RMAD.BS.SMATNCff4HF

Between Series – SMA female to TNC female 4-hole flange

Frequency (GHz)	Impedance ( $\Omega$ )	VSWR (max)	Insertion Loss (dB min)
DC – 18	50	1.15:1	0.5

### Notes:

- a. Material:
  - 1 = Body: Stainless steel/passivate
  - 2 = Contacts: BeCu/gold
  - 3 = Dielectric: PTFE
- b. Operation temperature: -55C to +85C deg
- c. Interface: per MIL-C-83517



All specifications are subject to change without notice.