



94 JACKSON ROAD, SUITE 110, DEVENS, MA 01434 USA

Directional Coupler

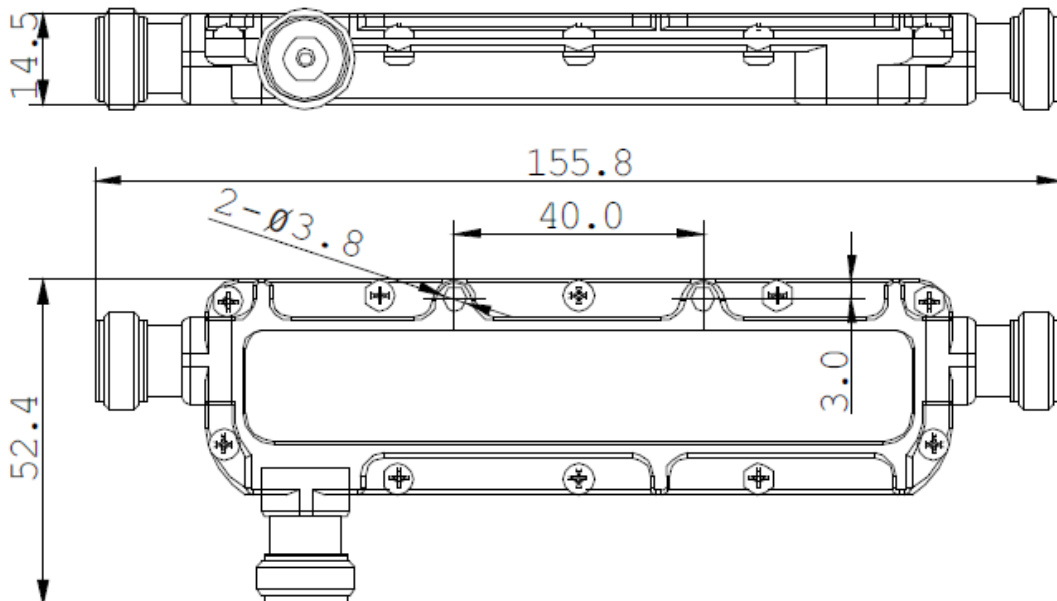
Model RMCO10.2500Nf

10dB, N female

Frequency (MHz)	Coupling (dB)		Insertion Loss (dB max)	Directivity (dB min)	VSWR (max)
	Norm.	Flat.			
800 – 2500	10 ± 0.5	± 0.5	0.8	20	1.30 : 1

Notes:

- Input and output impedance: 50 Ohms
- Power Handling \leq 50 Watts CW
- Connector: N female
- Material: aluminum w/clear iridite
- Operation temperature: -35 °C to +85°C deg



Dimensions in mm. All specifications are subject to change without notice. **RoHS Compliant**

Telephone: 978-772-3767

Fax: 978772-3768

www.responsemicrowave.com