



94 JACKSON ROAD, SUITE 110, DEVENS, MA 01434

## Coaxial DC Block

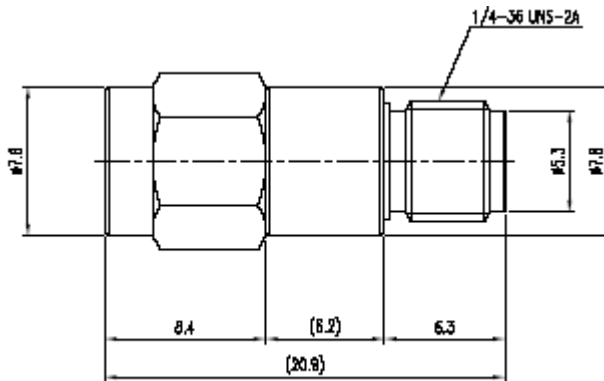
Model RMDC.6000SMAmf

SMA male/female

Frequency Range (MHz)	Insertion Loss (dB max)	Voltage Rating (V)	VSWR (max)	Power	Impedance ( $\Omega$ )
DC-6000	0.4	250	1.30:1	25W CW	50

**Notes:**

- a. Connector: SMA male/female
- b. Operation temperature: -55C to +85C deg
- c. Case material: brass with gold plate



All specifications are subject to change without notice.

Dimensions: mm

Telephone: 978-772-3767

Fax: 978-772-3768

[www.responsemicrowave.com](http://www.responsemicrowave.com)

Rev 04/02/12