



94 JACKSON ROAD, SUITE 110, DEVENS, MA 01434

ADAPTORS

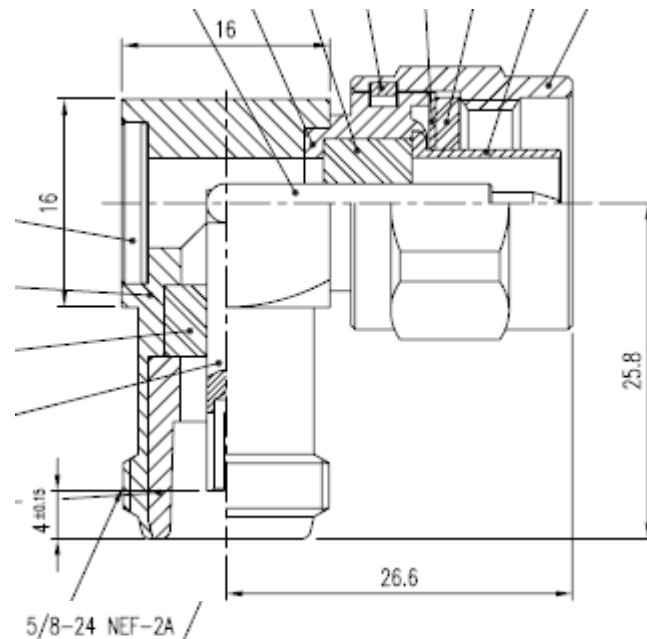
Model RMAD.IS.NmfRA

In Series – N male/female R/A

Frequency (GHz)	Impedance (Ω)	VSWR (max)	Insertion Loss (dB f=frequency GHz)
DC – 10	50	$1.05 + 0.005 f$ (GHz)	$0.07 f^{1/2}$

Notes:

- a. Material:
 - Body: brass/nickel
 - Socket Contacts: BeCu/gold
- b. Operation temperature: -65C to +105C deg
- c. Interface: N per MIL-C-39012 & IEC169-15



Telephone: 978-772-3767

Fax: 978-772-3768

www.responsemicrowave.com