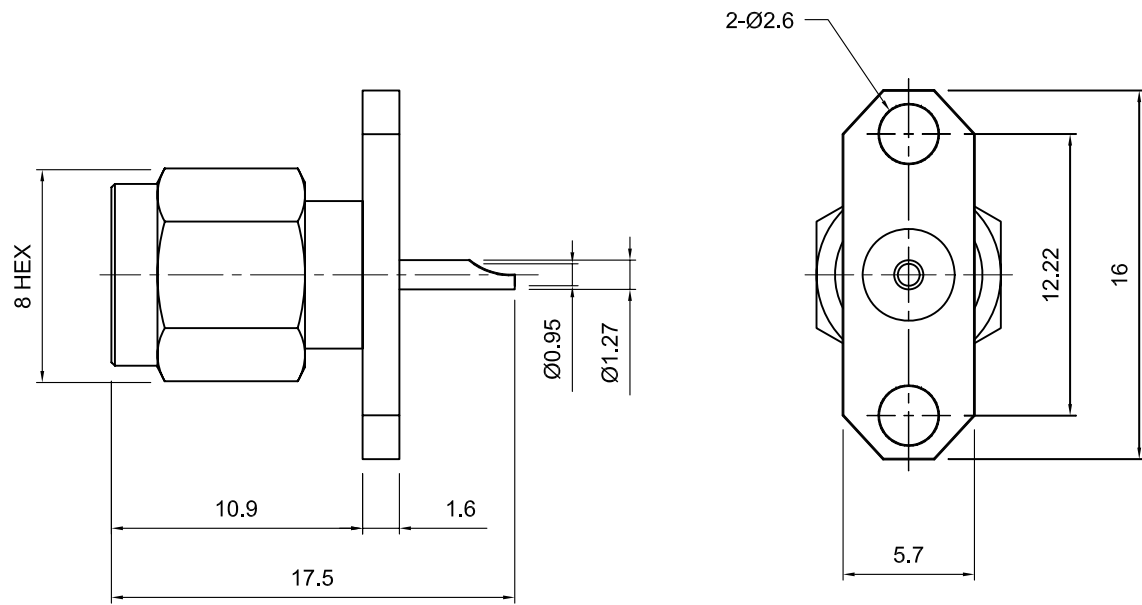


| | | | |
|--|---------------------------|----------|----------|
| Tolerances 1-20=+/-0.2 20-30=+/-0.3 30-40=+/-0.4 40-50=+/-0.5 50-100=+/-0.75 100-300=+/-1.5 Angles=+/-1 Dimensions are In Millimeters | Revisions | Approved | Date |
| | Description/Approved/Date | M.H. | 04/01/00 |
| | | Checked | Date |
| | | M.H. | 03/29/00 |
| | Drawn | Date | |
| | K.R.E. | 03/27/00 | |
| NOTES (plating thickness in micro-inches): 1. Per QQ-B-626 2. Per QQ-S-764 3. Per QQ-C-530 4. Per QQ-B-750 5. Per MIL-P-19468 6. Per ZZ-R-765 7. Per WW-T-799 8. Gold pl. 5 min. over nickel pl. 50 min. over copper strike 9. Nickel pl. 100 min. over copper strike 10. Per QQ-P-35 11. Gold pl. 30 min. over nickel pl. 50 min. over copper strike | | | |



| ITEM | MATERIAL | FINISH |
|----------------------|----------------|---------------|
| Connector Body | Brass, Note 1 | Gold, Note 8 |
| Center Contact: Male | Brass, Note 1 | Gold, Note 11 |
| Insulation | Teflon, Note 5 | None |
| Ferrule | -- | -- |
| Gasket | -- | -- |
| Hex Nut | -- | -- |
| Lock Washer | -- | -- |

Lighthouse Technologies, Inc.
5640 Kearny Mesa Rd. Suite N
San Diego, California 92111

Part Number:
LTI-SASM42NFGT

| | | |
|--|--------------|-----------|
| Description | | |
| SMA panel mount plug with solder cup termination. Gold plated brass body, teflon dielectric. | | |
| Scale | Drawing No. | File Name |
| 3:1 | SMA/SASM42NF | SASM42NF |