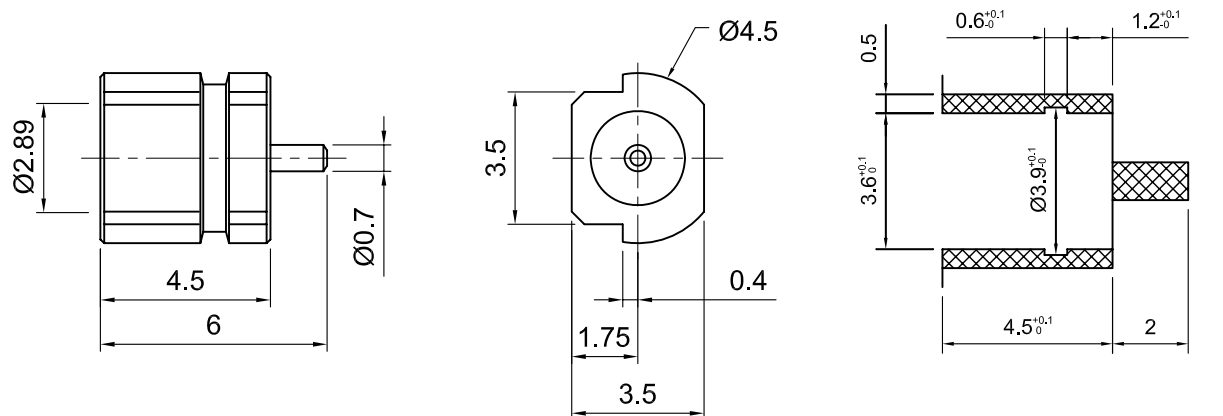



| | | | |
|---|--|---|---|
| Tolerances 1-20=+/-0.2 20-30=+/-0.3 30-40=+/-0.4 40-50=+/-0.5 50-100=+/-0.75 100-300=+/-1.5 Angles=+/-1 Dimensions are in Millimeters | Revisions | Approved | Date |
| | Description/Approved/Date | M.H. | 01/25/03 |
| | | Checked | Date |
| | | M.H. | 01/25/03 |
| | Drawn | Date | |
| | K.R.E. | 01/23/03 | |
| | NOTES (plating thickness in micro-inches): | 5. Per MIL-P-19468 | 9. Nickel pl. 100 min. over copper strike |
| | 1. Per QQ-B-626 | 6. Per ZZ-R-765 | 10. Per QQ-P-35 |
| | 2. Per QQ-S-764 | 7. Per WW-T-799 | 11. Gold pl. 30 min. over nickel pl. 50 min. over copper strike |
| | 3. Per QQ-C-530 | 8. Gold pl. 5 min. over nickel pl. 50 min. over copper strike | |
| | 4. Per QQ-B-750 | | |



RECOMMENDED SOLDER LAYOUT

| ITEM | MATERIAL | FINISH |  Lighthouse Technologies, Inc. 5640 Kearny Mesa Road, Suite N San Diego, California 92111 Part Number: LTI-MCSF96GT | | |
|------------------------|--------------------------|---------------|--|-------------|-----------|
| Connector Body | Brass, Note 1 | Gold, Note 8 | Description MMCX edge mount PCB jack. Gold plated brass body, teflon dielectric. | | |
| Center Contact: Female | Beryllium Copper, Note 3 | Gold, Note 11 | | | |
| Insulation | Teflon, Note 5 | None | Scale | Drawing No. | File Name |
| Ferrule | -- | -- | 5:1 | MMCX/MCSF96 | MCSF96 |
| Gasket | -- | -- | | | |
| Hex Nut | -- | -- | | | |
| Lock Washer | -- | -- | | | |