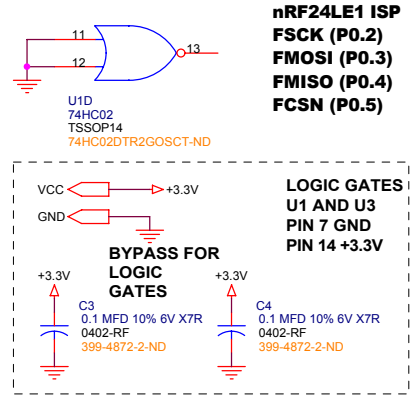
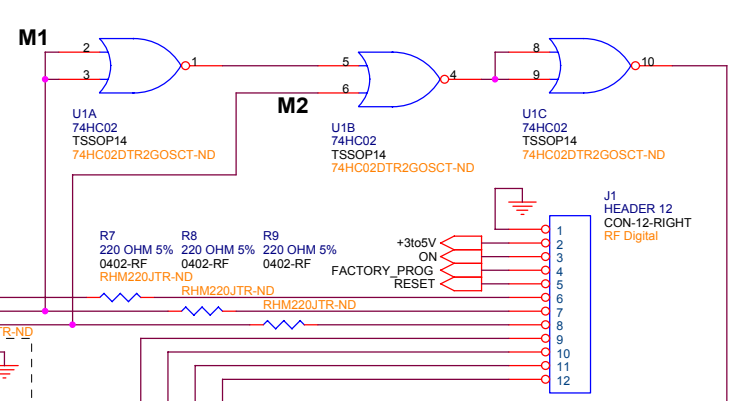
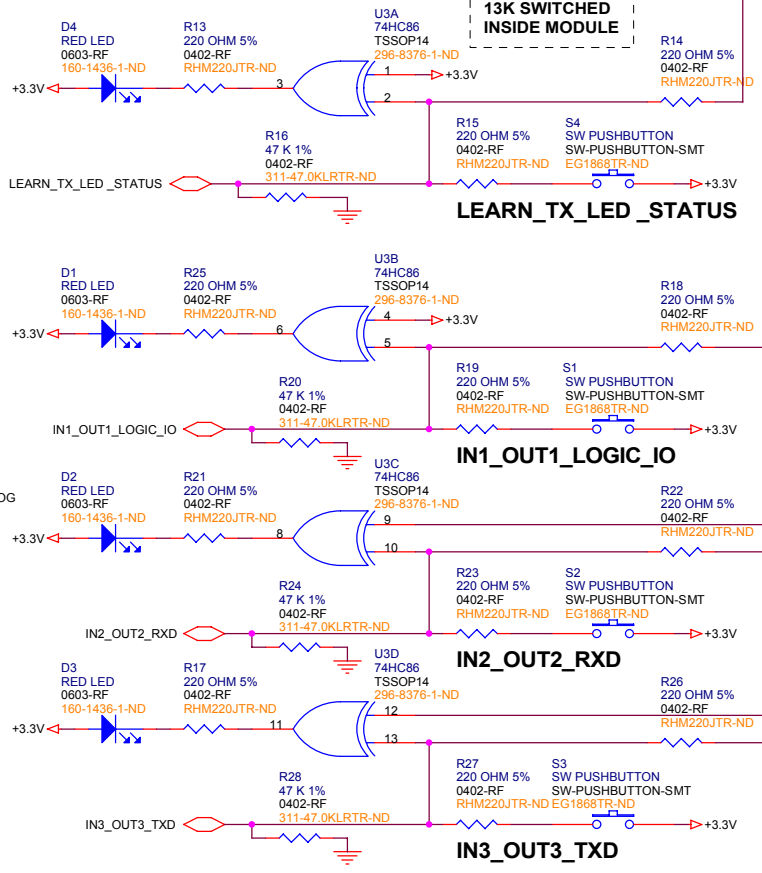
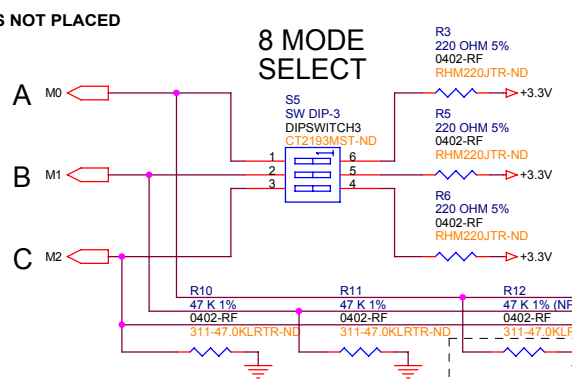
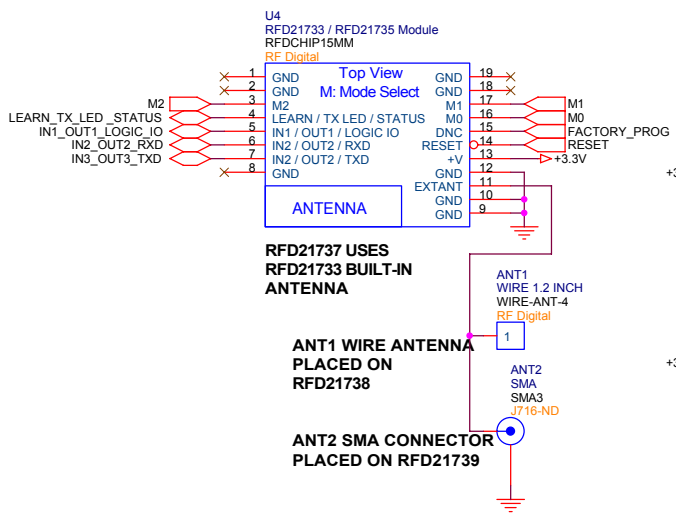
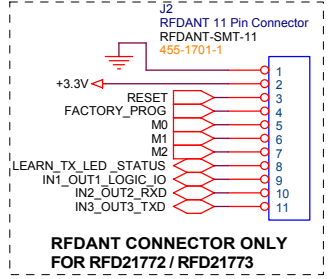


- 8 MODE SELECT**
- MODE CBA**
- MODE0 000 RFID TX
 - MODE1 001 SWITCH TX
 - MODE2 010 SERIAL TCVR
 - MODE3 011 SERIAL TCVR NET
 - MODE4 100 SWITCH RX 500MS
 - MODE5 101 SWITCH RX 500MS NET
 - MODE6 110 SWITCH RX 50MS
 - MODE7 111 SWITCH RX 50MS NET

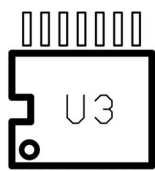
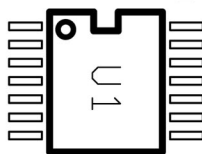
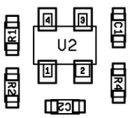
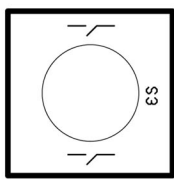
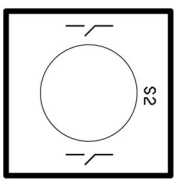
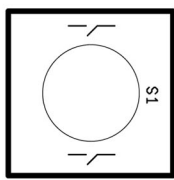
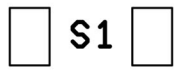
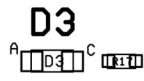
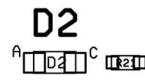
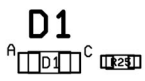
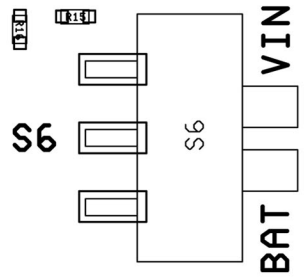
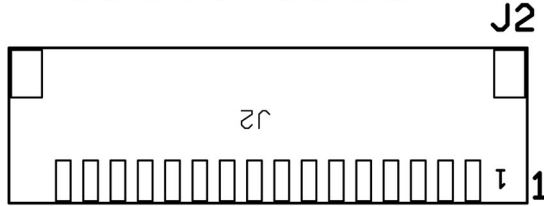
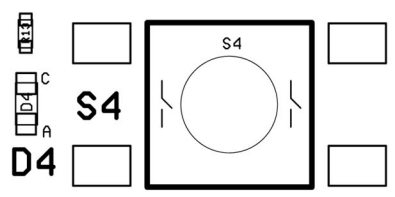
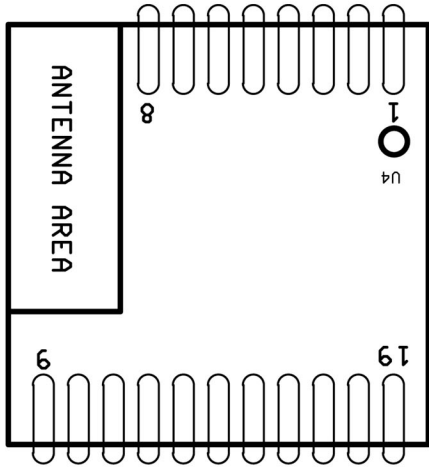


- RFD21737 Eval Board for**
- RFD21738 RFD21733**
 - RFD21739 RFD21735**
 - RFD21772 RFD21742**
 - RFD21773 RFD21743**

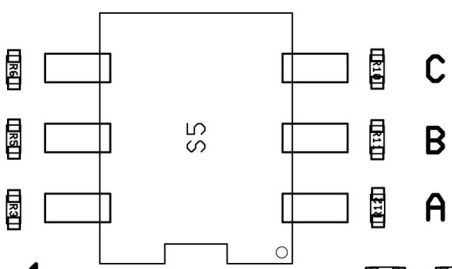
07-11-11 01:31 PM
(C) Copyright 2011, RF Digital Corporation



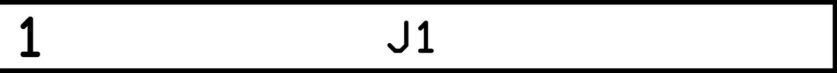
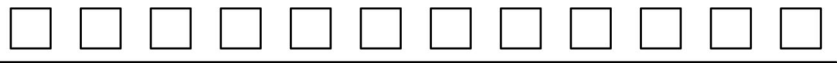
Title		R294 B001	
Size	Document Number	Rev A	
Date:	Friday, May 14, 2010	Sheet	1 of 1

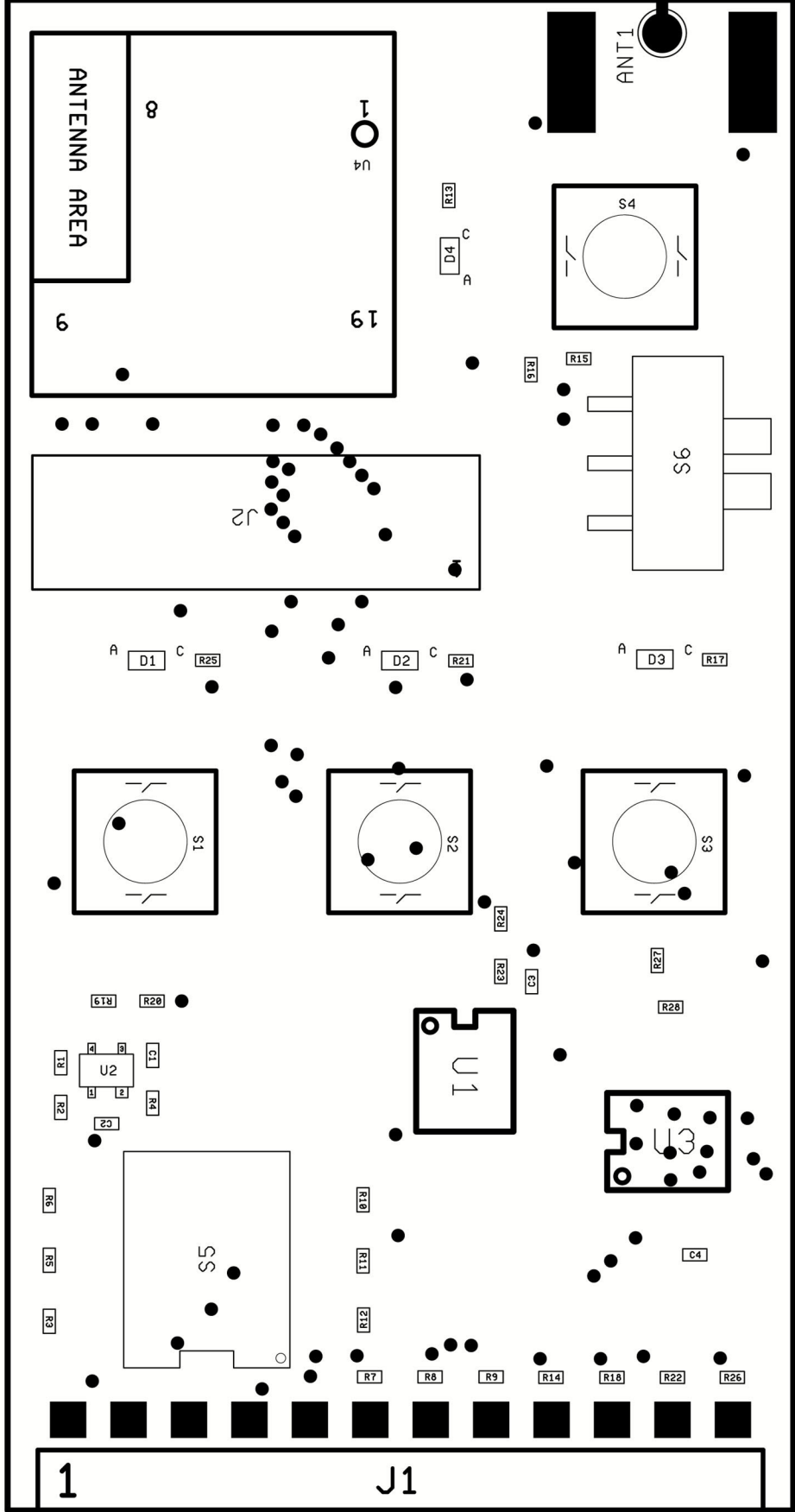


S5



01.06.09
 © RF DIGITAL R278





ANTENNA AREA

ANT1

1
U4

8

19

9

R13
D4
C
A

S4

R16

R15

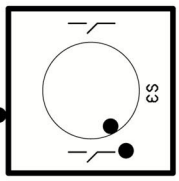
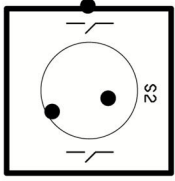
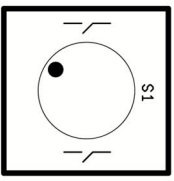
S6

J2

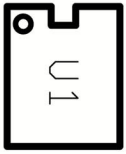
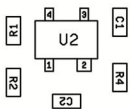
A
D1
C
R25

A
D2
C
R21

A
D3
C
R17



R19 R20

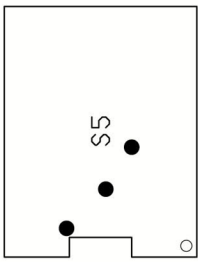


R23

C3

R27

R28



R18

R12

R7

R8

R9

R14

C4

R18

R22

R26

1

J1