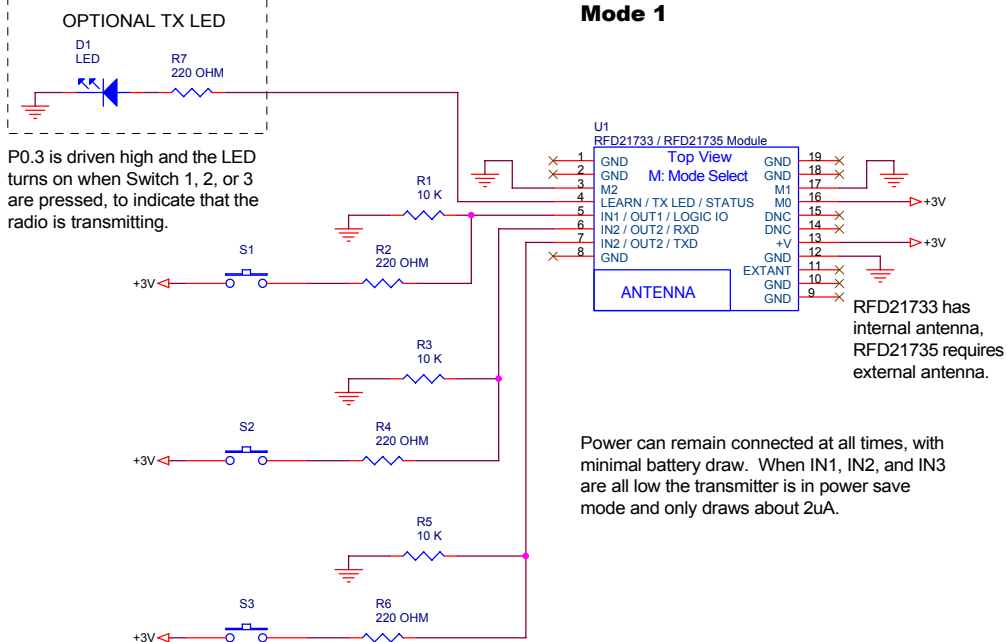


If not used, leave P0.3 unconnected.

3 Input Switch Transmitter

Mode 1



Power can remain connected at all times, with minimal battery draw. When IN1, IN2, and IN3 are all low the transmitter is in power save mode and only draws about 2uA.

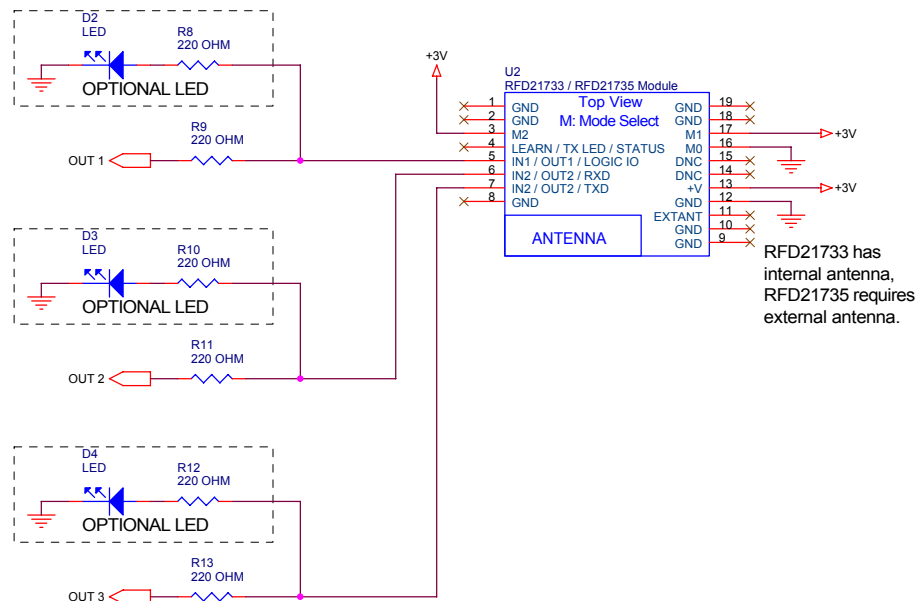
When Switch 1 is pressed, P0.4 (IN1) is driven high the radio will transmit.
When Switch 2 is pressed, P0.5 (IN2) is driven high the radio will transmit.
When Switch 3 is pressed, P0.6 (IN3) is driven high the radio will transmit.

In this mode P0.4, P0.5, P0.6 are always inputs, however the series resistors to between the inputs and the switches are used for safety, just in case there was a mode misconfiguration during testing time that causes any of those pins to be configured as an output instead. The resistors are recommended. If you choose to remove them, you can connect all three inputs directly to +3V driving sources such as a switch to +3V or a driving IC etc. If you choose to use less than 3 inputs, pull the unused ones to ground.

+3V supply can be between +1.9V and +3.6V

3 Output Switch Receiver With 20ms Hang Time

Mode 6



When Switch 1 is pressed, P0.4 (OUT1) will output a high for the same duration the switch is pressed.
When Switch 2 is pressed, P0.5 (OUT2) will output a high for the same duration the switch is pressed.
When Switch 3 is pressed, P0.6 (OUT3) will output a high for the same duration the switch is pressed.

Any combination of the buttons can be pressed at the same time.

The optional LEDs are for testing and can be removed.

+3V supply can be between +1.9V and +3.6V

Patents Pending

RFDP8 8-Mode Chart for RFD21733 / RFD21735
© RF Digital Corp. 01.27.09 8:34 PM

Mode	Description	Mode Select Inputs			IN 3	IN 2	IN 1	Learn / Status
		2	1	0				
0	Active RFID Transmitter	0	0	0			TX LED	
1	3 Input Switch Logic Transmitter	0	0	1	IN 3	IN 2	TX LED	
2	Serial UART Transceiver, 9600, N, 8, 1	0	1	0	TXD IN	RXD OUT	LOGIC I/O	
3	Serial UART Transceiver, 9600, N, 8, 1	0	1	1	TXD IN	RXD OUT	LOGIC I/O	
4	3 Output Switch Logic Receiver - 500ms	1	0	0	OUT 3	OUT 2	OUT 1	
5	3 Output Switch Logic Receiver - 500ms	1	0	1	OUT 3	OUT 2	OUT 1	
6	3 Output Switch Logic Receiver - 20ms	1	1	0	OUT 3	OUT 2	OUT 1	
7	3 Output Switch Logic Receiver - 20ms	1	1	1	OUT 3	OUT 2	OUT 1	
RFD21733 / RFD21735 Pin Number:		3	17	16	7	6	5	

Please contact RF Digital anytime for application support questions at support@rfdigital.com

3 SWITCH TX TO 3 SWITCH RX 20MS

Description:

3 logic input switch transmitter sends the status of its 3 inputs to the 3 output logic switch receiver which outputs those states on its 3 outputs.

RFD76009 Application

For Part Number:
RFD21733 / RFD21735

02-01-09 12:26 PM

(C) Copyright 2009, RF Digital Corporation

RF DIGITAL
CORPORATION