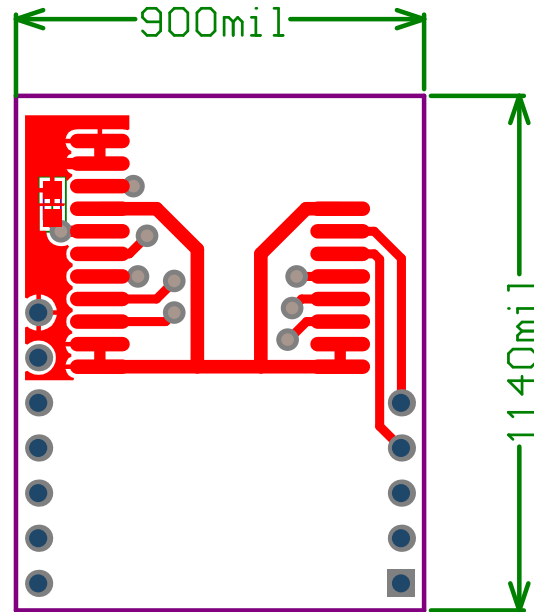


NO VENDOR MARKINGS, VENDOR IS NOT TO ADD OR REMOVE ANYTHING
R400 Copyright www.RFduino.com 12/12/2013

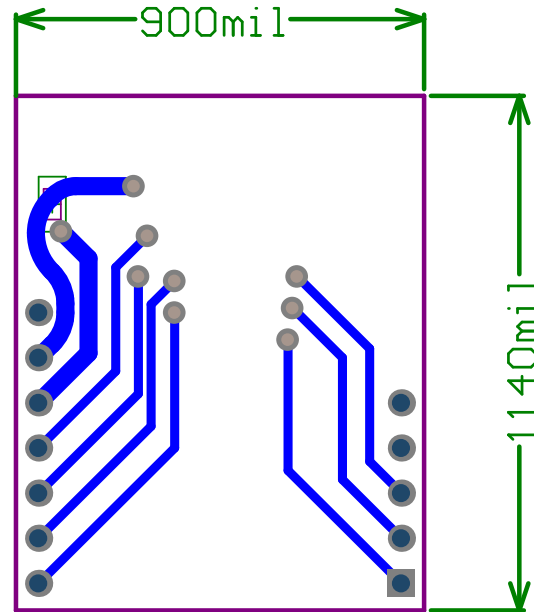


LAYERS



NO VENDOR MARKINGS, VENDOR IS NOT TO ADD OR REMOVE ANYTHING
R400 Copyright www.RFduino.com 12/12/2013

NO VENDOR MARKINGS, VENDOR IS NOT TO ADD OR REMOVE ANYTHING
R400 Copyright www.RFduino.com 12/12/2013



LAYERS

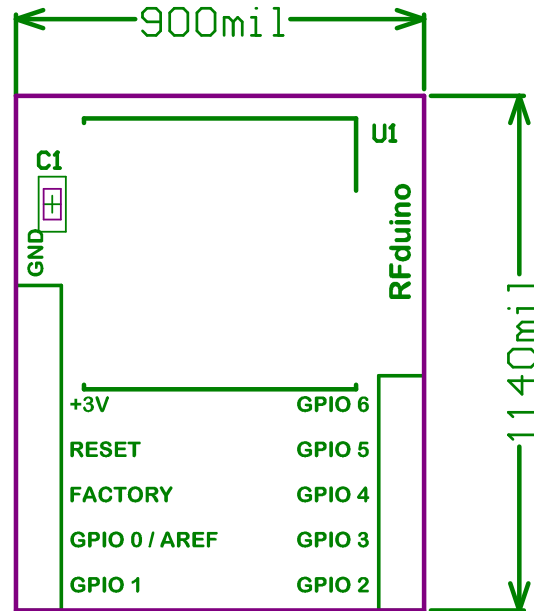
 BOTTOM COPPER

 DIMENSIONS

 ROUTING KEEPOUT LAYER

NO VENDOR MARKINGS, VENDOR IS NOT TO ADD OR REMOVE ANYTHING
R400 Copyright www.RFduino.com 12/12/2013

NO VENDOR MARKINGS, VENDOR IS NOT TO ADD OR REMOVE ANYTHING
R400 Copyright www.RFduino.com 12/12/2013



LAYERS

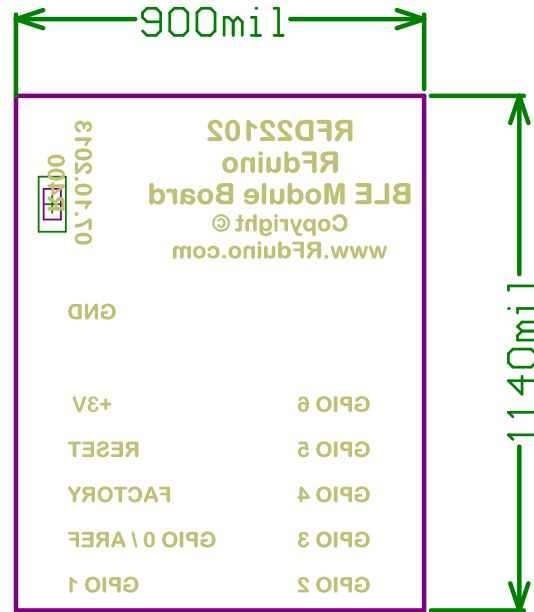
TOP OVERLAY

DIMENSIONS

ROUTING KEEPOUT LAYER

NO VENDOR MARKINGS, VENDOR IS NOT TO ADD OR REMOVE ANYTHING
R400 Copyright www.RFduino.com 12/12/2013

NO VENDOR MARKINGS, VENDOR IS NOT TO ADD OR REMOVE ANYTHING
R400 Copyright www.RFduino.com 12/12/2013



LAYERS

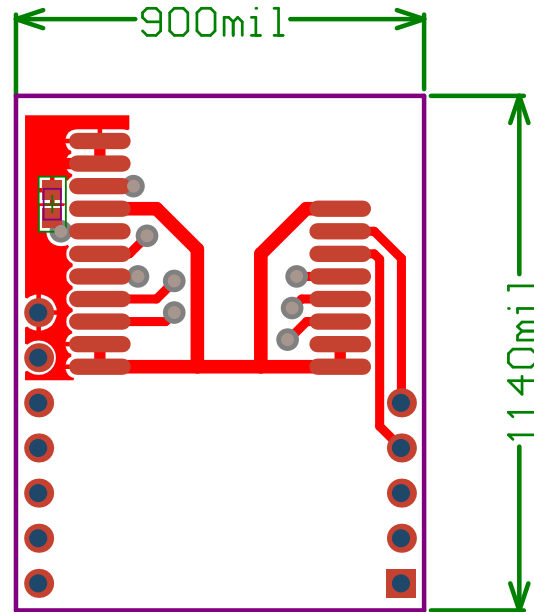
 BOTTOM OVERLAY

 DIMENSIONS

 ROUTING KEEPOUT LAYER

NO VENDOR MARKINGS, VENDOR IS NOT TO ADD OR REMOVE ANYTHING
R400 Copyright www.RFduino.com 12/12/2013

NO VENDOR MARKINGS, VENDOR IS NOT TO ADD OR REMOVE ANYTHING
R400 Copyright www.RFduino.com 12/12/2013

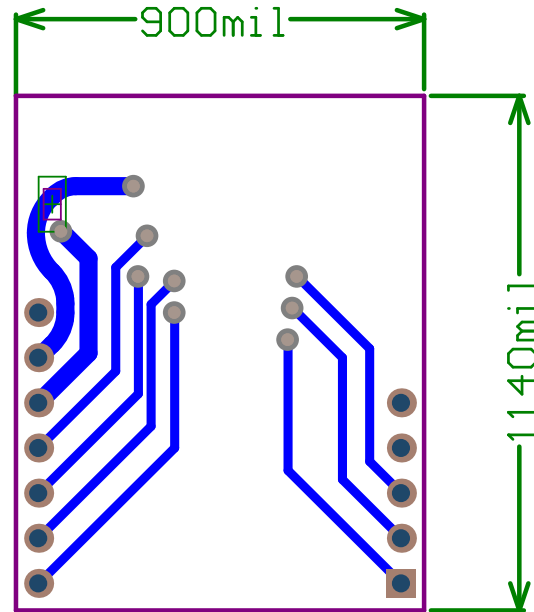


LAYERS



NO VENDOR MARKINGS, VENDOR IS NOT TO ADD OR REMOVE ANYTHING
R400 Copyright www.RFduino.com 12/12/2013

NO VENDOR MARKINGS, VENDOR IS NOT TO ADD OR REMOVE ANYTHING
R400 Copyright www.RFduino.com 12/12/2013

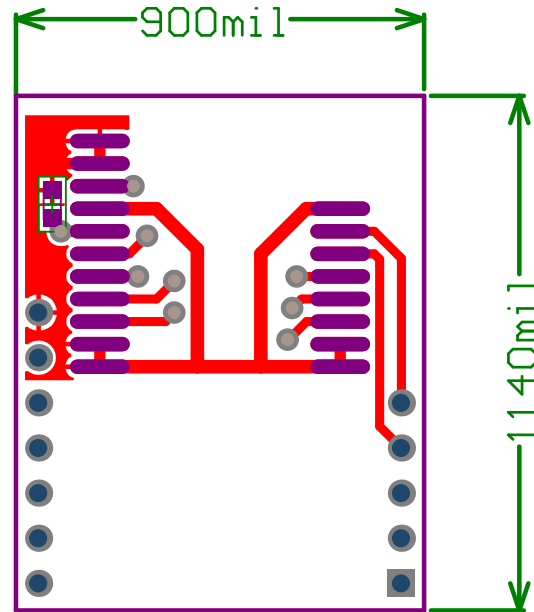


LAYERS



NO VENDOR MARKINGS, VENDOR IS NOT TO ADD OR REMOVE ANYTHING
R400 Copyright www.RFduino.com 12/12/2013

NO VENDOR MARKINGS, VENDOR IS NOT TO ADD OR REMOVE ANYTHING
R400 Copyright www.RFduino.com 12/12/2013

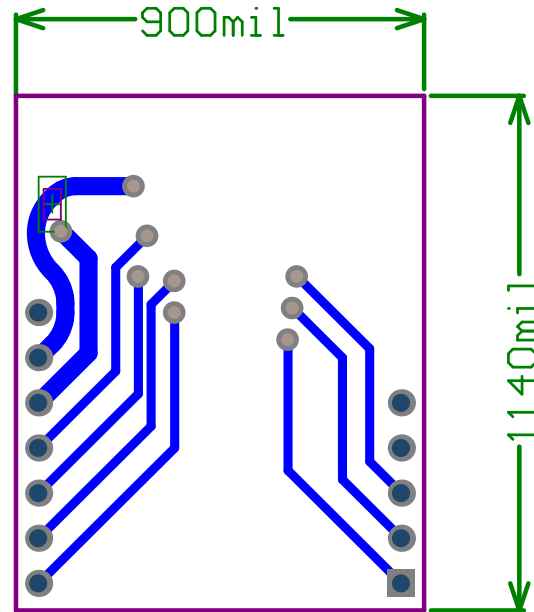


LAYERS



NO VENDOR MARKINGS, VENDOR IS NOT TO ADD OR REMOVE ANYTHING
R400 Copyright www.RFduino.com 12/12/2013

NO VENDOR MARKINGS, VENDOR IS NOT TO ADD OR REMOVE ANYTHING
R400 Copyright www.RFduino.com 12/12/2013



LAYERS

 BOTTOM COPPER

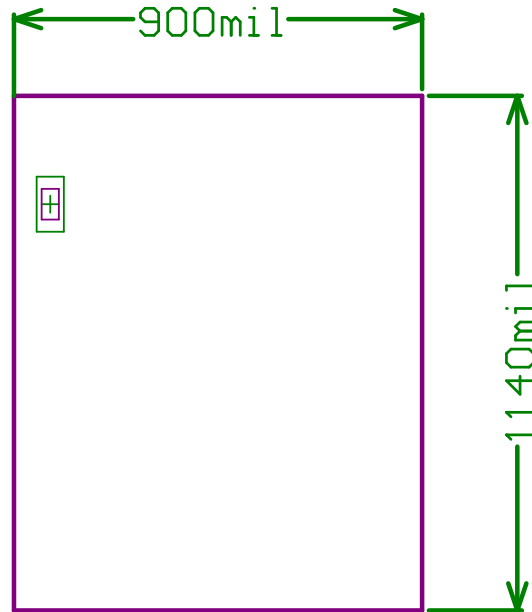
 BOTTOM PASTE

 DIMENSIONS

 ROUTING KEEPOUT LAYER

NO VENDOR MARKINGS, VENDOR IS NOT TO ADD OR REMOVE ANYTHING
R400 Copyright www.RFduino.com 12/12/2013

NO VENDOR MARKINGS, VENDOR IS NOT TO ADD OR REMOVE ANYTHING
R400 Copyright www.RFduino.com 12/12/2013

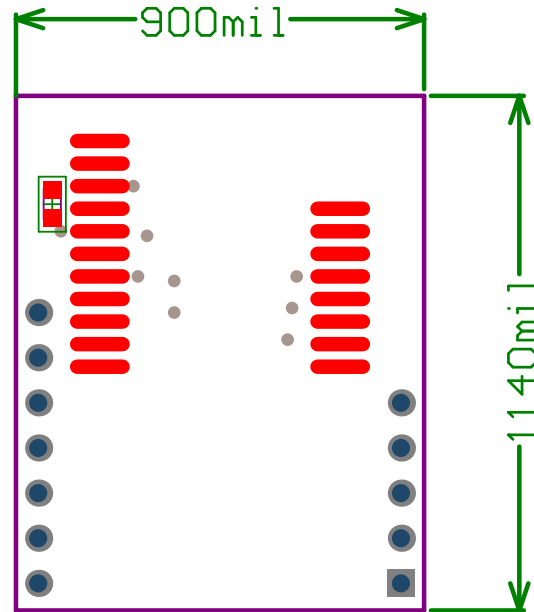


LAYERS



NO VENDOR MARKINGS, VENDOR IS NOT TO ADD OR REMOVE ANYTHING
R400 Copyright www.RFduino.com 12/12/2013

NO VENDOR MARKINGS, VENDOR IS NOT TO ADD OR REMOVE ANYTHING
R400 Copyright www.RFduino.com 12/12/2013

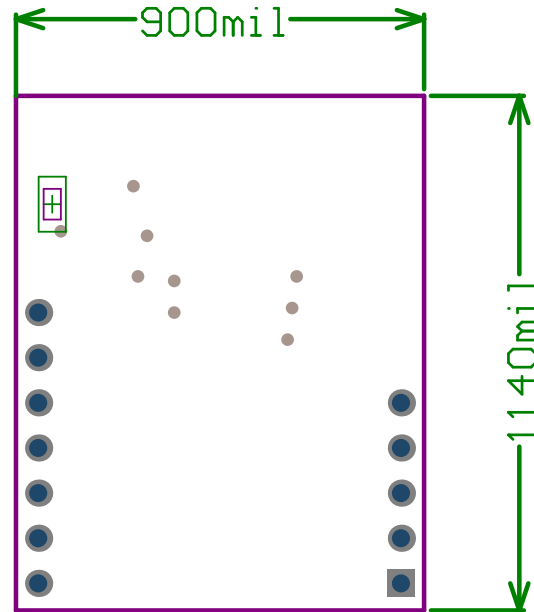


LAYERS



NO VENDOR MARKINGS, VENDOR IS NOT TO ADD OR REMOVE ANYTHING
R400 Copyright www.RFduino.com 12/12/2013

NO VENDOR MARKINGS, VENDOR IS NOT TO ADD OR REMOVE ANYTHING
R400 Copyright www.RFduino.com 12/12/2013

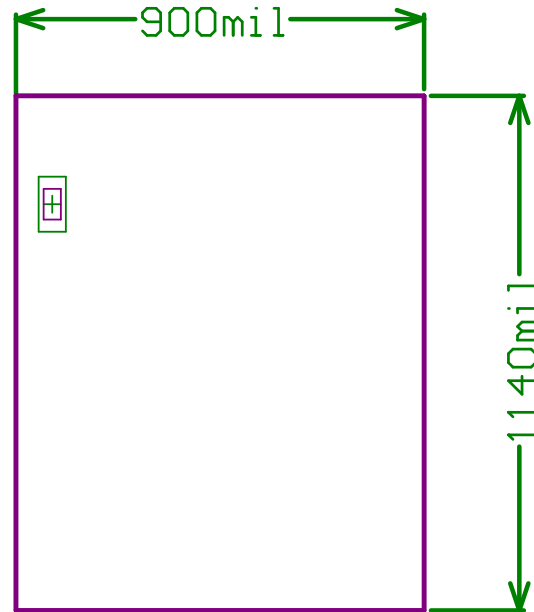


LAYERS



NO VENDOR MARKINGS, VENDOR IS NOT TO ADD OR REMOVE ANYTHING
R400 Copyright www.RFduino.com 12/12/2013

NO VENDOR MARKINGS, VENDOR IS NOT TO ADD OR REMOVE ANYTHING
R400 Copyright www.RFduino.com 12/12/2013

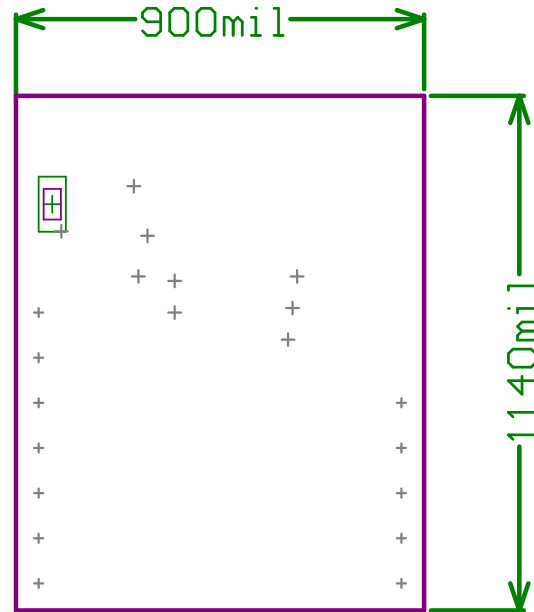


LAYERS



NO VENDOR MARKINGS, VENDOR IS NOT TO ADD OR REMOVE ANYTHING
R400 Copyright www.RFduino.com 12/12/2013

NO VENDOR MARKINGS, VENDOR IS NOT TO ADD OR REMOVE ANYTHING
R400 Copyright www.RFduino.com 12/12/2013



LAYERS

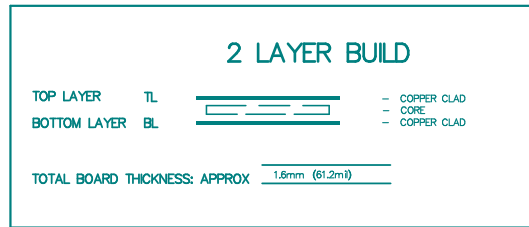
DRILL GUIDE (SLOTS)

DIMENSIONS

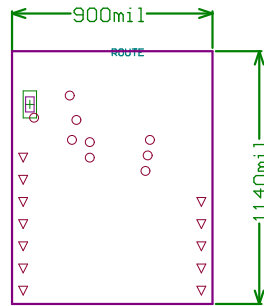
ROUTING KEEPOUT LAYER

NO VENDOR MARKINGS, VENDOR IS NOT TO ADD OR REMOVE ANYTHING
R400 Copyright www.RFduino.com 12/12/2013

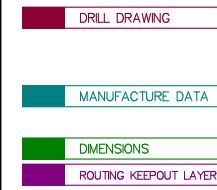
LAYER STACK CONFIGURATION



NO VENDOR MARKINGS, VENDOR IS NOT TO ADD OR REMOVE ANYTHING
R400 Copyright www.RFduino.com 12/12/2013



LAYERS

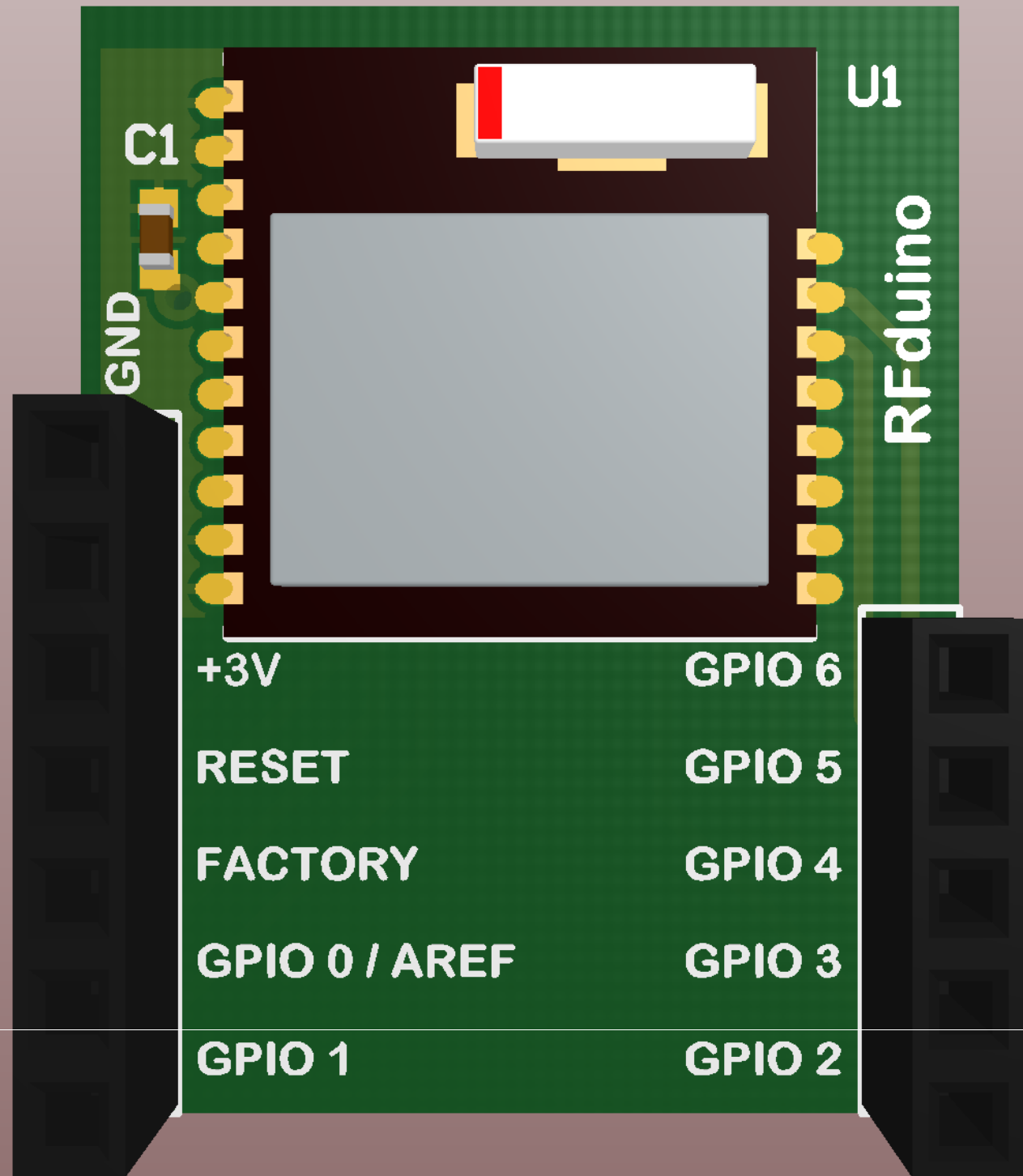


NO VENDOR MARKINGS, VENDOR IS NOT TO ADD OR REMOVE ANYTHING
R400 Copyright www.RFduino.com 12/12/2013

NOTES: UNLESS OTHERWISE SPECIFIED

1. MATERIAL: FR4
2. FINISH: BLACK GLOSS LPI SOLDERMASK OVER BARE COPPER, BOTH SIDES OF BOARD
ALL EXPOSED CONDUCTIVE PATTERN AREAS NOT COVERED WITH SOLDER MASK OR OTHER PLATING SHALL BE PLATED WITH IMMERSION GOLD
3. SILKSCREEN BOTH SIDES USING THE WHITE NON-CONDUCTIVE EPOXY INK,
SILKSCREEN INC NOT ALLOWED ON COMPONENT PADS
4. NO VENDOR MARKINGS OF ANY TYPE, ON ANY LAYER OF THE PCB
IT IS OK FOR VENDOR TO PUT MARKINGS ON THE RAILS OF THE ARRAY ONLY
5. IMPEDANCE CONTROL REQUIREMENT
6. FINISHED FAB AND WORKMANSHIP PER IPC-A-600, CLASS2
7. RoHS COMPLIANCE REQUIRED
8. ALL VIAS ARE TO BE FULLY PLUGGED WITH SOLDERMASK
9. IF THERE ARE ANY DISCREPANCIES, IT IS THE VENDORS RESPONSIBILITY TO CONTACT THE CUSTOMER
10. NO X-OUTS
11. 100% ELECTRICAL TEST FOR OPEN AND CLOSED REQUIRED

Symbol	Hit Count	Tool Size	Plated	Hole Type
○	9	28mil (0.711mm)	PTH	Round
▽	12	40mil (1.016mm)	PTH	Round
	21 Total			



RFD22102
RFduino
BLE Module Board
Copyright ©
www.RFduino.com

07.10.2013
R400

