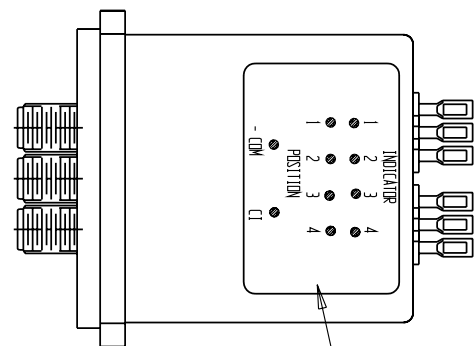
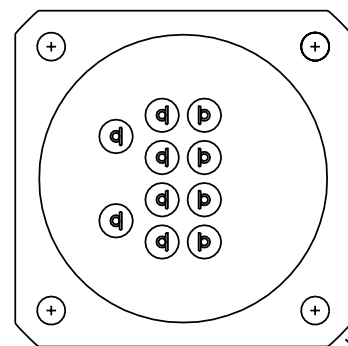


NOTES:

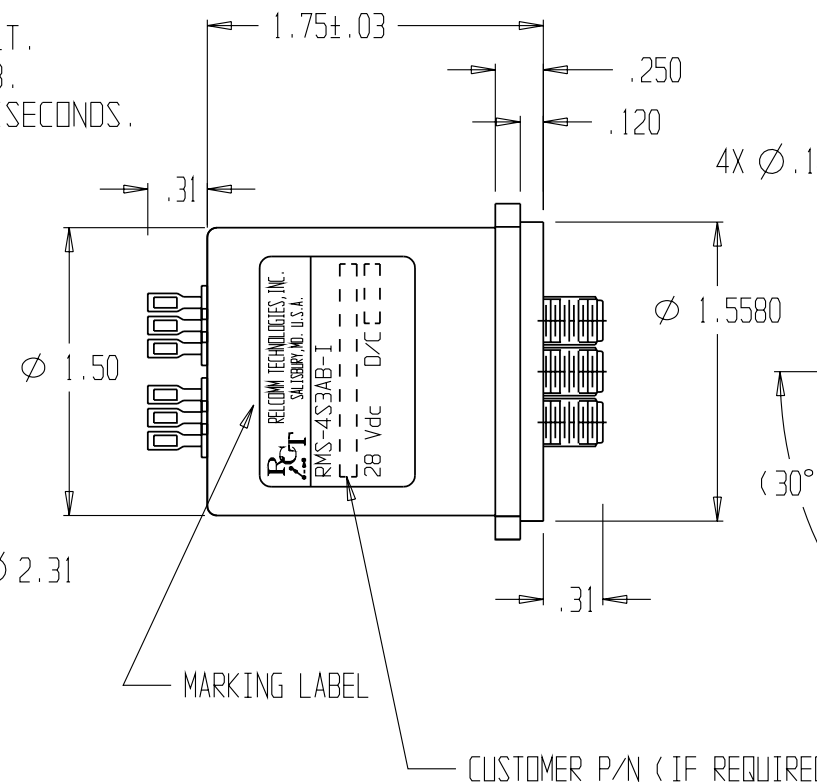
1. INTERPRET CALLOUTS/SYMBOLS PER ASME Y14.5M-1994
2. RECOMMENDED MATING CONNECTOR TORQUE IS 8 lb-in (90 N-cm)  
DO NOT EXCEED 12 lb-in (136 N-cm) AS DAMAGE TO CONNECTOR MAY RESULT.
3. VERIFICATION OF CHARACTERISTICS ARE IN REFERENCE WITH MIL -S- 3928.
4. RECOMMENDED PULSE WIDTH DURATION FOR SWITCHING RELAY, 50-500 MILLISECONDS.



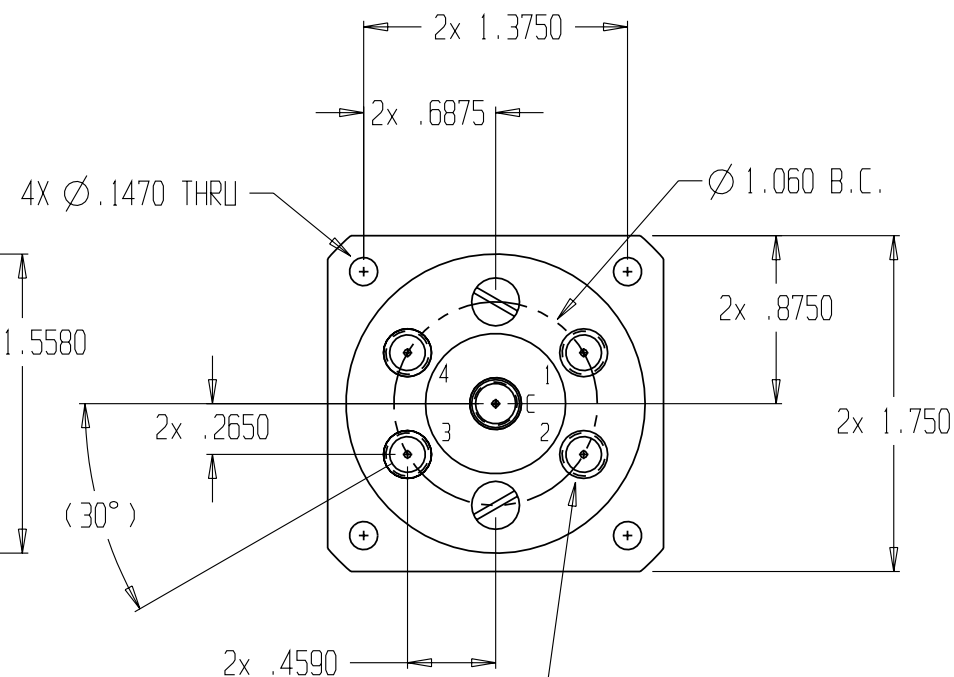
TERMINAL IDENTIFICATION LABEL



MARKING LABEL



CUSTOMER P/N (IF REQUIRED)

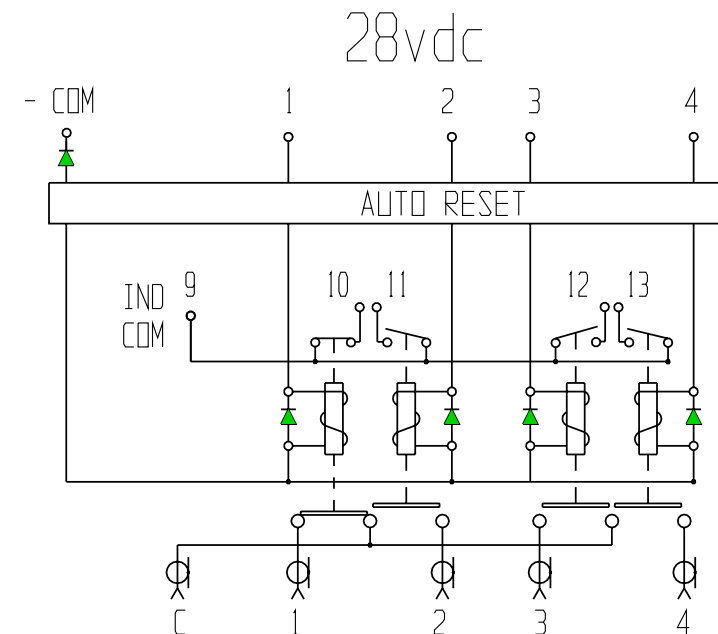


7X SMA CONNECTOR MATING REQUIREMENTS PER MIL-C-39012

CHARACTERISTICS:

NOMINAL IMPEDANCE (OHM) -----	50			
FREQUENCY RANGE (GHz) -----	DC-4	4-8	8-12.4	12.4-18
V.S.W.R. (MAX) -----	1.2:1	1.3:1	1.4:1	1.5:1
INSERTION LOSS (dB MAX) -----	0.2	0.3	0.4	0.5
ISOLATION (dB MIN) -----	80	70	60	60
AVERAGE POWER (WATTS TYP)-----	85	55	45	35

TEMPERATURE RANGE (OPERATING) ----	-40°C - +85°C
TEMPERATURE RANGE (STORAGE) -----	-55°C - +100°C
SWITCHING ACTION -----	MAKE BEFORE BREAK
OPERATING VOLTAGE (OVER TEMP) ----	22 - 30 Vdc
SWITCHING VOLTAGE (MIN @20°C) --	20Vdc
ACTUATING CURRENT (mA MAX) -----	130 @ 28 Vdc & 20°C
SWITCHING TIME (MAX) -----	15mSEC
LIFE (MIN PER POSITION)-----	1 * 10 <sup>6</sup> CYCLES
INDICATOR CONTACT RATING -----	5 WATTS TYP., 175 V MAX., .25 A MAX.
WEIGHT (OZ) -----	7.0 NOM



SCHEMATIC SHOWN IN POSITION ONE (C-1)

MATERIALS/FINISH:

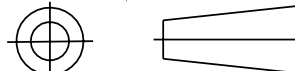
HOUSING -----	ALUMINUM/NICKEL
COVER -----	ALUMINUM/BLACK ANODIZED
CONNECTORS ---	STAINLESS STEEL/PASSIVATE
INSULATION ---	TEFLON
CONTACTS -----	BERYLLIUM COPPER/GOLD

REV	ECN NO.	DATE	APPROVAL
-	PROD. RELEASE	10/26/06	A. MAGDA
C	CORRECT CURR.	06/15/06	A. MAGDA
B	CORRECT 1P4T	01/20/06	B. JONES
A	PRELIMINARY	12/16/04	J. WMS

UNLESS OTHERWISE SPECIFIED:  
DIMENSIONS ARE IN INCHES  
AND INCLUDE PLATING.

.XX ± .02 FRACTIONS ±  
.XXX ± .010 SURFACE QUALITY  
.XXXX ± .0050 32/ MAX

THIRD ANGLE PROJECTION



DR J. WILLIAMS 12/16/04  
CK J. WILLIAMS  
ENG B. JONES  
MFG  
QA

THIS DRAWING AND SPECIFICATIONS ARE THE PROPERTY OF RELCOMM TECHNOLOGIES AND SHALL NOT BE REPRODUCED OR COPIED OR USED IN WHOLE OR IN PART AS THE BASIS FOR THE MANUFACTURE OR SALE OF ITEM(S) WITHOUT WRITTEN PERMISSION.

		RELCOMM TECHNOLOGIES, INC. 610 BEAM STREET SALISBURY, MARYLAND 21801	
TITLE 1P4T COAXIAL RELAY 28 VDC PULSE LATCHING			
SIZE B	DWG NO.	RMS-4S3AB-1	REV -
SCALE 1:1	DO NOT SCALE DWG	SHEET 1	OF 1