



RFST-ANT7-27-05SP External Antenna Series ISM 900MHz/2.4GHz & 2G/3G/4G LTE

Part Number: RFST-ANT7-27-05SP

Features:

- Omni-directional broad band operation for:
 - 700/850/900/1800/1900/2100/2700MHz (LTE/2G/3G/4G)
 - 900MHz & 2450MHz (ISM bands)
- High efficiency performance (up to 90%)
- Rugged panel-mount high impact UV stable ABS design
- 0.5M ultra-low-loss RF cable and SMA plug as standard

Application:

This external mount antenna is a rugged, versatile design covering 2G/3G/4G LTE cellular bands and popular ISM bands (900MHz/2.45GHz). It can be used for various M2M applications including SMART utility meters and other wireless applications requiring an omni-directional pattern coverage.



Fig 1.0 RFST ANT7-27-05SP External Antenna

Electrical Properties:

(measured on 400mm x 400mm ground plane with 0.5M cable length)

Operating Frequencies:	<ul style="list-style-type: none"> • 902-928MHz (ISM band) • 2.45GHz (ISM band) • 700/850/900/1800/1900/2100/2700MHz
Input/Output Impedance:	50 Ohms (nominal)
Max VSWR:	<2.5:1
Peak Gain (Typical):	3dBi : 700-800MHz 4dBi : 900MHz 5dBi : 1900-2700MHz
Polarization/Pattern:	Vertical/Omni-Directional
Max RF input power:	60 watts
Efficiency:	80-90% (typical)

Mechanical Properties:

Dimensions:	82mm (H) x 48mm (Diameter)
Material:	High Impact UV Stable ABS
Mounting:	Panel Mount (hole diameter 14mm)
Cable Type/ RF Termination:	0.5M (L) x 5mm (dia) low loss CS29 RF cable/ SMA male (plug)

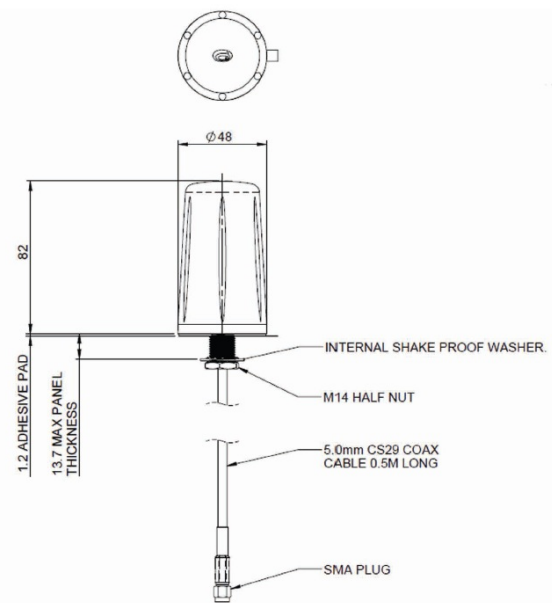


Fig 2.0 RFST-ANT7-27-05SP Mechanical Drawing

Environmental:

Operating Temperature:	-40°C to +80°C
------------------------	----------------

RF Savvy Technologies LLC is an authorized representative/distributor of Panorama Antennas Ltd. Rev 2.0 |03/09/2015
 © Copyright Panorama Antennas Ltd Tel: +1 (707) 360 8915
info@rfsavvy.com
www.rfsavvy.com

Waiver: The data given above is indicative of the performance of the product under particular conditions and does not imply a guarantee of performance. Specifications are subject to change without notice.



RFST-ANT7-27-05SP
External Antenna Series
ISM 900MHz/2.4GHz & 2G/3G/4G LTE

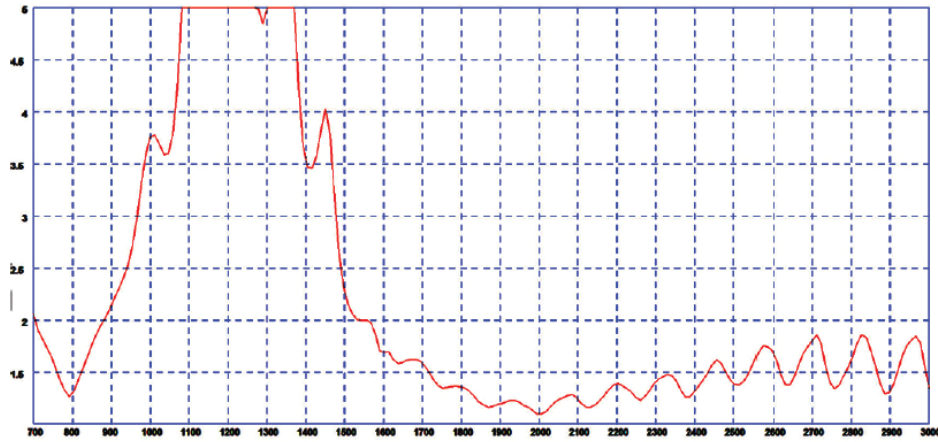


Fig 3.0 RFST ANT7-27-05SP
 Typical VSWR

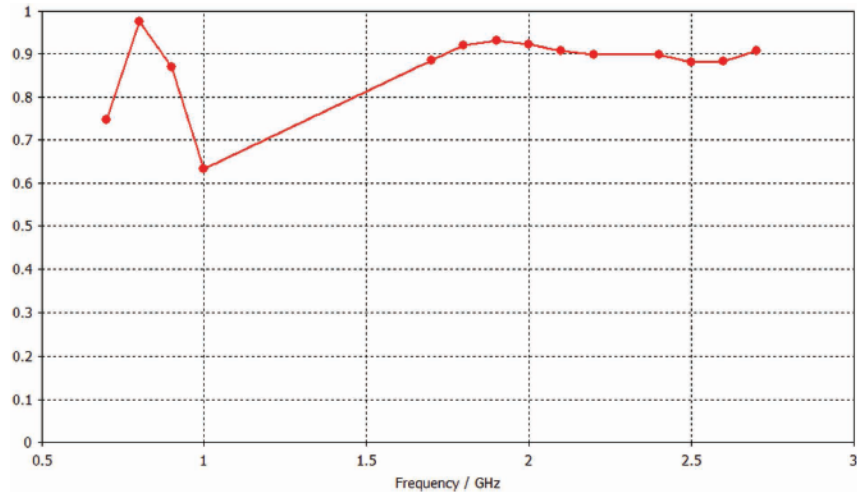


Fig 4.0 RFST ANT7-27-05SP
 Typical Efficiency

RF Savvy Technologies LLC is an authorized representative/distributor of Panorama Antennas Ltd. Rev 2.0 |03/09/2015
 © Copyright Panorama Antennas Ltd
 Tel: +1 (707) 360 8915
info@rfsavvy.com
www.rfsavvy.com

Waiver: The data given above is indicative of the performance of the product under particular conditions and does not imply a guarantee of performance. Specifications are subject to change without notice.

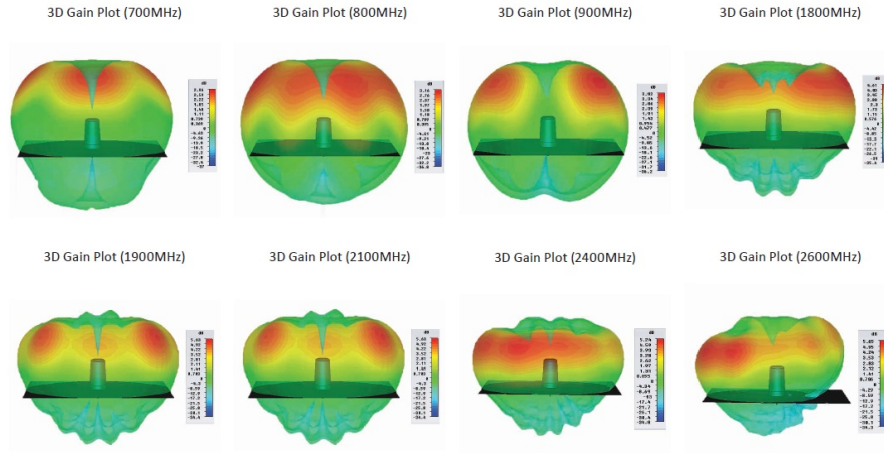


Fig 5.0 RFST ANT7-27-05SP
3D Gain Patterns

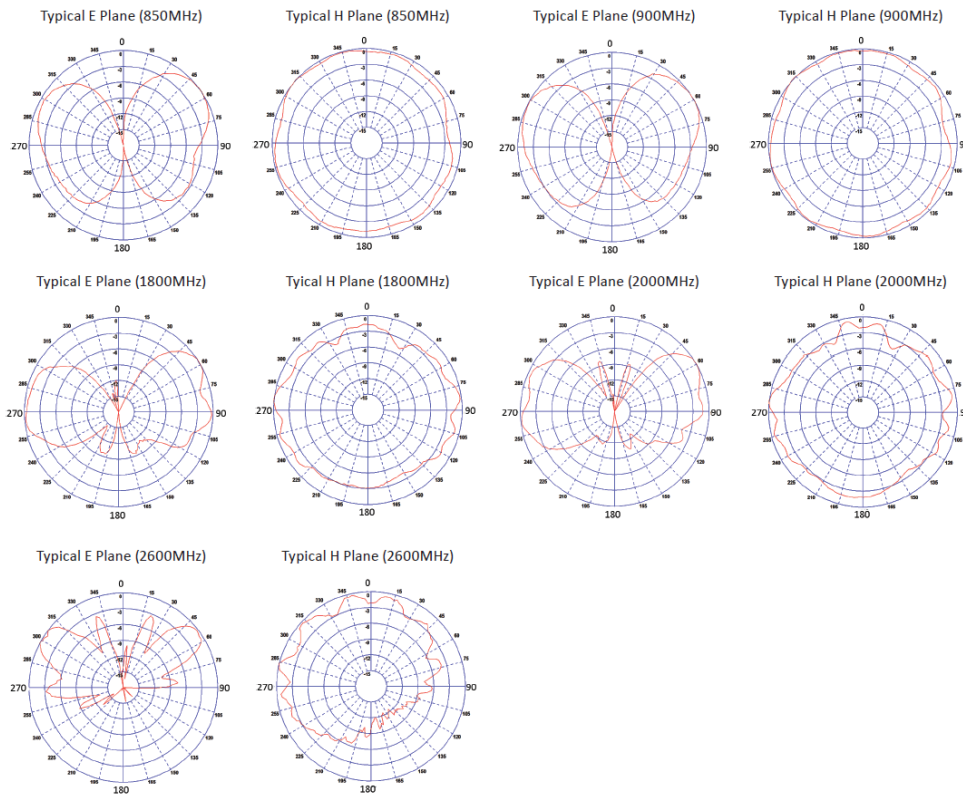


Fig 6.0 RFST ANT7-27-05SP
2D Gain Patterns

RF Savvy Technologies LLC is an authorized representative/distributor of Panorama Antennas Ltd. Rev 2.0 |03/09/2015
© Copyright Panorama Antennas Ltd

Tel: +1 (707) 360 8915
info@rfsavvy.com
www.rfsavvy.com

Waiver: The data given above is indicative of the performance of the product under particular conditions and does not imply a guarantee of performance. Specifications are subject to change without notice.