



ENCLOSURE

68 | Basic information

69 | RG

70 | RG

71 | RG

72 | RG

73 | RG







Protective systems:

The protection classes are given by abbreviations always composed of the same letters 'IP' and two code digits indicating the protection level (according to EN 60529).

Protection levels for contact and foreign object protection

First code digit	Extent of protection	
	Name	Explanation
0	No protection	No particular protection against direct bodily contact with active parts No protection against penetration of solid foreign objects.
2	Protection from medium-sized foreign objects	Protection against contact with active parts by fingers. Protection against penetration of solid foreign objects of diameter greater than 12mm.
4	Protection from grain-shaped foreign objects	Protection against contact with active parts by tools, wires or similar objects of thickness greater than 1mm. Protection against penetration of solid foreign objects of diameter greater than 1 mm.
5	Protection against dust accumulation	Complete protection against contact with active parts. Protection against damaging dust accumulation. Penetration of dust is not completely prevented, but the dust must not impair functioning.
6	Protection against dust entry	Complete protection against contact with active parts. Protection against penetration of dust.

Protection levels for water protection

Second code digit	Extent of protection	
	Name	Explanation
0	No protection	No particular protection
1	Protection against vertically falling water drops	 Water drops that fall vertically must not have any damaging effect.
3	Protection against spray water	 Water that falls at any angle up to 60° to vertical must not have any damaging effect.
4	Protection against splashing water	 Water splashing from all directions must not have any damaging effect.
5	Protection against water jets	 A water jet from a nozzle directed at the transformer from all directions must not have any damaging effect.
6	Flood protection	 Water must not penetrate into the transformer in a damaging amount in the case of temporary flooding.
7	Immersion protection	 Water must not penetrate in a damaging amount if the transformer is immersed into water under the specified pressure and time conditions.

For firedamp and explosion-proof transformers respectively the abbreviations 'SCH' and 'EX' are also used.

Protection classes

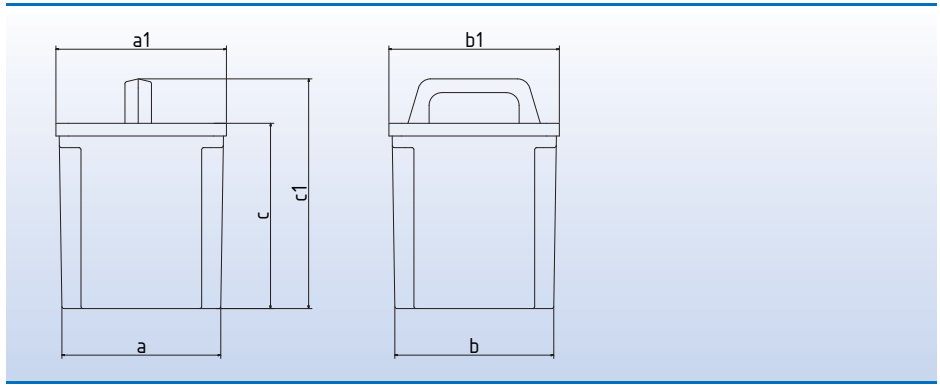
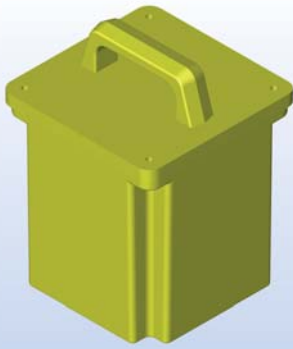
The protection class is a design characteristic of a device indicating the safety with regard to dangerous currents passing through the body through direct contact.

The transformers with open frame constructions intended for installation in electrical enclosures or devices do not possess a protection class, but rather can only be prepared for one.

Protection class I: Device with protective earth connection and basic insulation

Protection class II: Device without protective earth connection but with double or reinforced insulation

Protection class III: Device without protective earth connection, where the protection against dangerous currents flowing through the body through direct contact is based on the supply with safety extra-low voltage (SELV) and no higher voltage than the SELV can be generated.



Portable plastic enclosure for electrical equipment

Design:

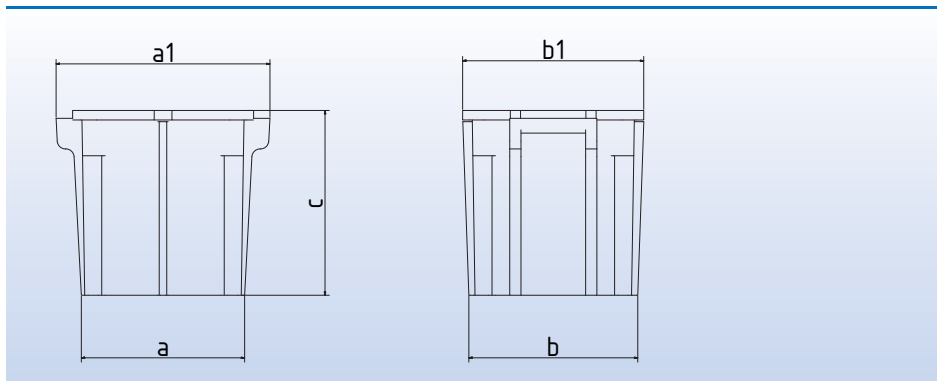
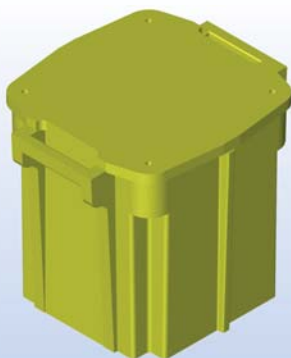
The portable enclosures of the RG 601 - RG 801 series are made from glass fibre-reinforced polyester resin and are hence stable and impact-resistant. The enclosures have been designed especially for use of electrical devices, are self-extinguishing and are non-hygroscopic. A neoprene seal between the cover and the enclosure provides the corresponding seal. In an immersion test in water no penetration of moisture was detected up to a depth of 1m over a period of 8 days.

Temperature resistance: -32°C to 220°C.

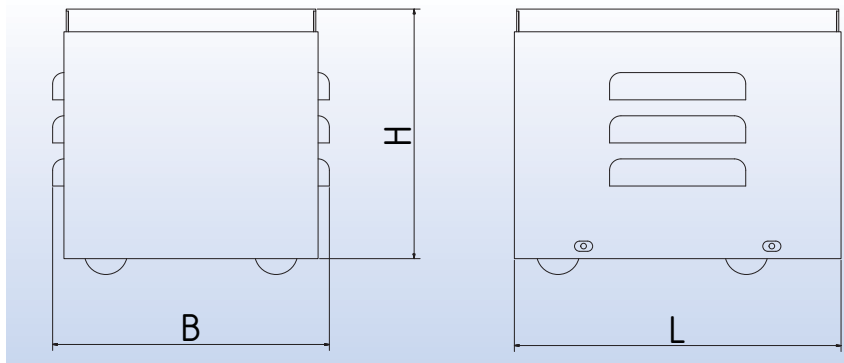
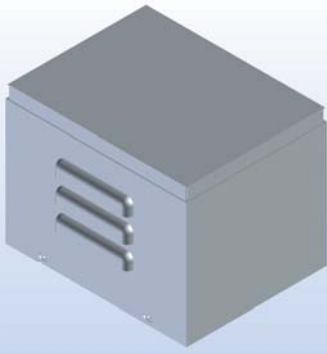
The enclosures are designed with protection class IP 67 and are available in the colour yellow. Other colours available upon request.

The enclosures can be supplied with boreholes and cutouts according to the drawing at extra charge.

Type	Item no: + colour	Total kg	Dimensions approx. in mm						
			a	b	c	a1	b1	c1	Thickness
RG 601	0790-0000001	1,11	156	150	176	166	166	219	3
RG 701	0790-0000002	1,76	176	176	217	192	192	259	3



Type	Item no: + colour	Total kg	Dimensions approx. in mm						
			a	b	c	a1	b1	c1	Thickness
RG 801	0790-0000003	4,16	240	250	280	310	265	-	4

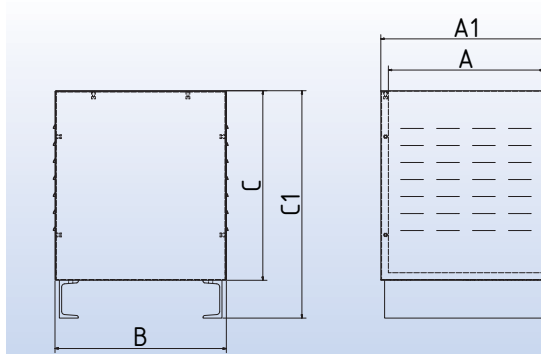
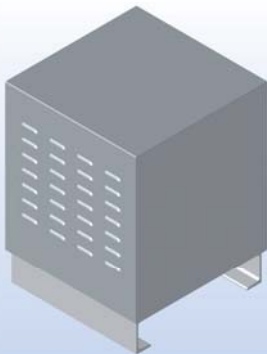


Upright enclosure
 Material: St. 1203
 Plastic-coated RAL 7035
 Protection class: IP 23

Optional:

- The following can be supplied at extra charge:
- For size 1 and up: available with handle
 - With MG cable entries according to customer specification
 - Additional holes

Type	Item no: + colour	Total kg	Dimensions approx. in mm		
			L	B	H
RG 0	0800-00000000	0,46	120	95	90
RG 1	0800-00000001	0,67	140	110	110
RG 2	0800-00000002	1,45	180	180	150
RG 3	0800-00000003	1,60	180	180	190
RG 4	0800-00000004	2,70	250	220	190
RG 4a	0800-0000004a	3,05	310	220	190

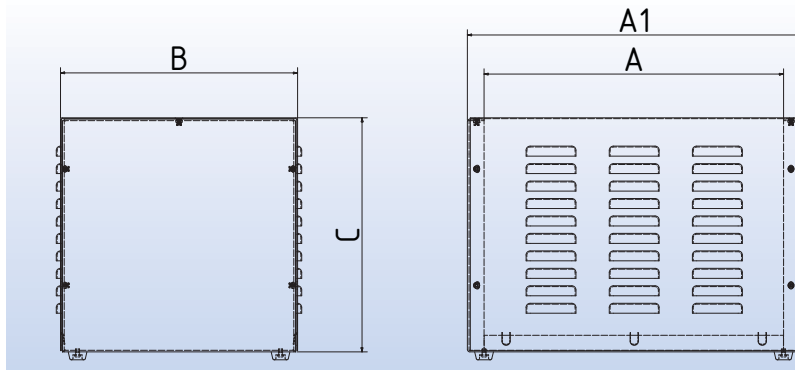


Upright enclosure
 Material: St. 1203
 Plastic-coated RAL 7035
 Protection class: IP 23

Optional:

- The following can be supplied at extra charge:
- With MG holes according to customer specification
 - With MG cable entries according to customer specification
 - With other colours, e.g. RAL 6011/9001

Type	Item no:	Total kg	Dimensions approx. in mm					Hole pattern	Mounting
			a	b	c	a1	c1		
RG 300	0860-00000300	26	340	380	400	380	500	320x300	Ø13
RG 310	0860-00000310	36	410	450	500	450	600	390x370	Ø13
RG 320	0860-00000320	56	560	600	600	600	700	540x520	Ø13

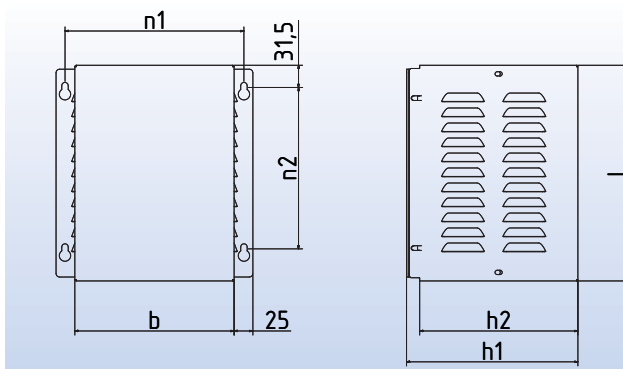
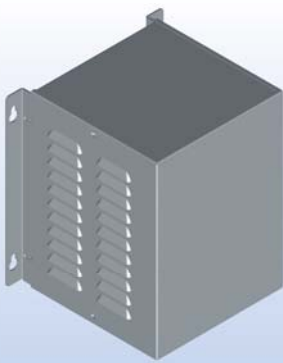


Upright enclosure
 Material: St. 1203
 Plastic-coated RAL 7035
 Protection class: IP 23

Optional:

- The following can be supplied at extra charge:
- Upper enclosure section also available without air slit
 - With MG cable entries according to customer specification
 - Additional holes

Type	Item no:	Total kg	Dimensions approx. in mm			
			A	A1	B	C
RG 20	0830-00000020	0,67	94	118	90	110
RG 21	0830-00000021	0,92	114	138	110	130
RG 22	0830-00000022	1,21	134	158	130	150
RG 23	0830-00000023	2,24	174	198	160	200
RG 24	0830-00000024	2,61	224	248	180	180
RG 25	0830-00000025	3,79	274	298	220	220
RG 26	0830-00000026	5,61	334	358	250	300
RG 27	0830-00000027	7,02	374	398	280	280
RG 28	0830-00000028	10,17	454	478	350	300
RG 29	0830-00000029	11,96	534	558	380	300

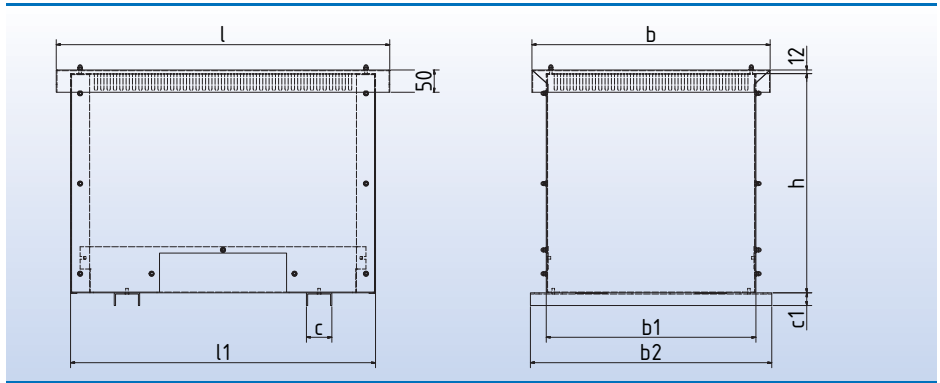
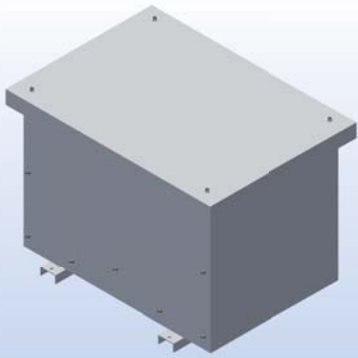


Wall-mount enclosure
 Material: St. 1203
 Plastic-coated RAL 7035
 Protection class: IP 23

Optional:

- The following can be supplied at extra charge:
- With MG holes according to customer specification
 - With MG cable entries according to customer specification
 - With other colours, e.g. RAL 6011/9001

Type	Item no:	Total kg	Dimensions approx. in mm					
			l	b	h1	h2	n1	n2
RG 20 W	0831-00000020	0,67	122	93	130	110	116	48
RG 21 W	0831-00000021	0,92	142	113	150	130	136	68
RG 22 W	0831-00000022	1,21	162	133	170	150	156	88
RG 23 W	0831-00000023	2,24	202	163	220	200	186	128
RG 24 W	0831-00000024	2,61	252	183	200	180	206	178
RG 25 W	0831-00000025	3,79	302	223	240	220	246	228
RG 26 W	0831-00000026	5,61	362	253	320	300	276	288
RG 27 W	0831-00000027	7,02	402	283	300	280	306	328
RG 28 W	0831-00000028	10,17	482	353	320	300	376	408
RG 29 W	0831-00000029	11,96	562	383	320	300	406	488



Upright assembly set enclosure

Material: St. 1203

Plastic-coated RAL 7035

Optional:

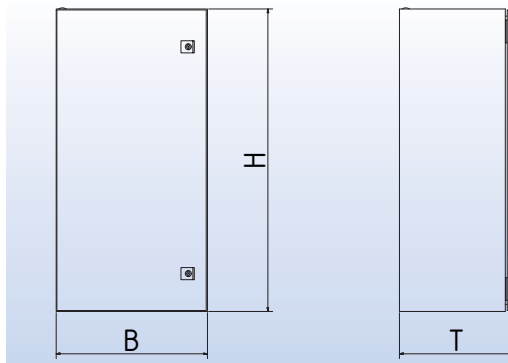
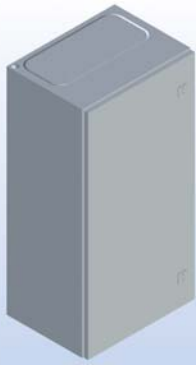
The following can be supplied at extra charge:

- with MG holes according to customer specification
- with MG cable entries according to customer specification
- with other colours, e.g. RAL 6011/9001

Available in versions:

- IP 02 - Without perforated panel
 - IP 23 - With perforated panel
 - IP 54 - With closed baseplate and hollow profile seal
- Material: EPDM quality self-adhesive

Type	Item no:			Total kg max.	Dimensions approx. in mm								
	IP 02	IP 23	IP 54		l	l1	b	b1	b2	h	c	c1	s
RG 110	0840-0110IP02	0840-0110IP23	0840-0110IP54	23	550	460	490	400	500	480	45	30	3
RG 120	0840-0120IP02	0840-0120IP23	0840-0120IP54	28	610	520	540	450	550	560	45	30	3
RG 130	0840-0130IP02	0840-0130IP23	0840-0130IP54	20	610	520	430	340	440	420	45	30	3
RG 140	0840-0140IP02	0840-0140IP23	0840-0140IP54	26	670	580	490	400	500	480	45	30	3
RG 150	0840-0150IP02	0840-0150IP23	0840-0150IP54	32	770	680	540	450	550	560	45	30	3
RG 160	0840-0160IP02	0840-0160IP23	0840-0160IP54	44	855	765	620	530	630	620	55	100	5
RG 165	0840-0165IP02	0840-0165IP23	0840-0165IP54	47	855	765	620	530	630	820	55	100	5
RG 170	0840-0170IP02	0840-0170IP23	0840-0170IP54	60	1050	960	750	660	760	690	55	100	5
RG 175	0840-0175IP02	0840-0175IP23	0840-0175IP54	63	1050	960	750	660	760	890	55	100	5
RG 180	0840-0180IP02	0840-0180IP23	0840-0180IP54	77	1150	1060	850	760	860	800	55	100	5
RG 185	0840-0185IP02	0840-0185IP23	0840-0185IP54	80	1150	1060	850	760	860	1000	55	100	5
RG 190	0840-0190IP02	0840-0190IP23	0840-0190IP54	116	1340	1250	850	760	860	1250	55	100	5
RG 210	0840-0210IP02	0840-0210IP23	0840-0210IP54	41	750	660	580	490	590	590	55	100	5
RG 220	0840-0220IP02	0840-0220IP23	0840-0220IP54	58	840	750	490	400	500	800	55	100	5
RG 230	0840-0230IP02	0840-0230IP23	0840-0230IP54	50	940	850	640	550	650	730	55	100	5
RG 240	0840-0240IP02	0840-0240IP23	0840-0240IP54	76	1090	1000	590	500	600	1000	55	100	5
RG 250	0840-0250IP02	0840-0250IP23	0840-0250IP54	109	1290	1200	790	700	800	1100	55	100	5



Universal Rittal steel cabinets
 (for floor installation or wall mounting)
 Material: St. 1203
 Plastic-coated RAL 7035

Design:

Cabinet with galvanised preinstalled mounting plate, powder-coated in structural RAL7035, type RAE in IP66/ NEMA4, types RCM and RTS in IP55/ NEMA12, door stop right (left upon request), flange plate in enclosure base, standard delivery from 600mm height standing with cast iron U base 100mm in same RAL7035

Special versions:

Other dimensions and colours, cable glands, earthing strips, installed transformer and accessories, installable base, wall suspension, fan, label, safety accessories

Optional:

- Available upon request
- Heavy-load fastening for transformer
- Cast iron U base: 100mm
- Frame base: 100mm
- Frame base: 200mm
- Wall holder set

Type	Item no:	Total kg	Dimensions approx. in mm			
			Height	Width	Depth	Doors
RAE 1032	0861-00001032	4,0	300	200	120	1
RAE 1035	0861-00001035	4,5	300	200	155	1
RAE 1036	0861-00001036	6,1	300	300	155	1
RAE 1033	0861-00001033	7,0	300	300	210	1
RAE 1380	0861-00001380	9,8	380	380	210	1
RAE 1034	0861-00001034	8,8	400	300	210	1
RAE 1045	0861-00001045	13,0	500	400	210	1
RAE 1050	0861-00001050	16,8	500	500	210	1
RAE 1350	0861-00001350	19,6	500	500	300	1
RAE 1038	0861-00001038	15,6	600	380	210	1
RAE 1338	0861-00001338	19,4	600	380	350	1
RAE 1360	0861-00001360	28,4	600	600	350	1
RAE 1055	0861-00001055	33,9	600	800	300	1
RAE 1057	0861-00001057	31,2	700	500	250	1
RAE 1376	0861-00001376	36,0	700	600	350	1
RAE 1073	0861-00001073	44,5	700	760	300	1
RAE 1058	0861-00001058	33,6	800	600	250	1
RCM 5110	0861-00005110	37,1	800	600	400	1
RCM 5111	0861-00005111	46,6	1000	600	400	1
RCM 5114	0861-00005114	54,2	1000	800	300	1
RCM 5115	0861-00005115	58,0	1000	800	400	1
RCM 5113	0861-00005113	53,2	1200	600	400	1
RTS 8615	0861-00008615	74,5	1200	600	500	1
RCM 5117	0861-00005117	67,5	1200	800	400	1
RTS 8815	0861-00008815	92,1	1200	800	500	1
RCM 5120	0861-00005120	81,7	1200	1000	400	2
RCM 5123	0861-00005123	96,9	1200	1200	400	2
RTS 8215	0861-00008215	140,0	1200	1200	500	2
RTS 8645	0861-00008645	86,0	1400	600	500	1
RTS 8845	0861-00008845	107,5	1400	800	500	1
RCM 5121	0861-00005121	90,3	1400	1000	400	2
RTS 8245	0861-00008245	163,5	1400	1200	500	2
RTS 8665	0861-00008665	100,0	1600	600	500	1
RTS 8865	0861-00008865	103,0	1600	800	500	1
RTS 8265	0861-00008265	159,3	1600	1200	500	2
RTS 8686	0861-00008686	96,8	1800	600	600	1
RTS 8886	0861-00008886	120,3	1800	800	600	1
RTS 8286	0861-00008286	179,9	1800	1200	600	2
RTS 8606	0861-00008606	104,0	2000	600	600	1
RTS 8806	0861-00008806	130,5	2000	800	600	1
RTS 8006	0861-00008006	161,2	2000	1000	600	2
RTS 8206	0861-00008206	194,6	2000	1200	600	2

