

# TALON PUMP

## Photo Resist Pump

### Excellent Dispense Volume Reliability

- DC Servo motor pump for constant dispenses
- Automatic Charging system for buffer tank
- Automatic Degassing Function
- Step dispenses
- Outer Type Bellows
- Ball Screw equipped with Servo Motor
- Controller is Integrated in pump assembly
- 7 Recipes can be applied
- Touch Pad can control upto 16 pumps

Model: **TP - 40BA**



Pump



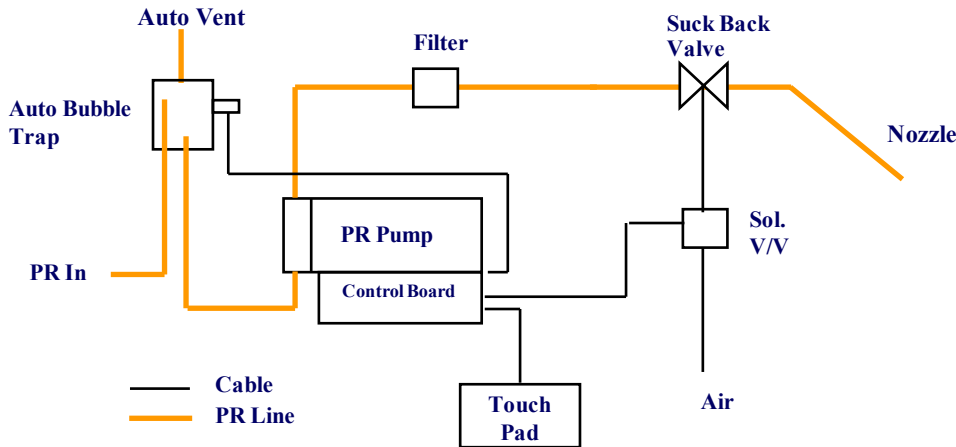
Touch Pad

\* Controller is integrated  
in pump assembly

# TALON PUMP

## Photo Resist Pump

### Configuration



### Specifications

ITEM	DESCRIPTION	
<b>Process</b>		
Dispense Volume Range	0.1cc ~ 7.0cc	
Dispense/ Reload Rate	0.1cc/sec ~ 7.0cc/sec	
Dispense Volume Resolution	0.0025cc	
Dispense Repeatability	≤±0.02(0.8cp, 23°C)	
Viscosity	Max: 150cp	
<b>Utility</b>		
Electric Power	24VDC/1A	
Main Air	0.1 ~ 0.3Mpa	
Resist In/ Out	1/4 Inch Teflon	
<b>Hardware</b>		
Weight	Touch Pad	0.5kg
	Pump	4.1kg
Dimension (W)×(L)×(H)mm	Touch Pad	140×88×45
	Pump	80×212×265.5

### Characteristics

