

TALON PUMP

Photo Resist Pump

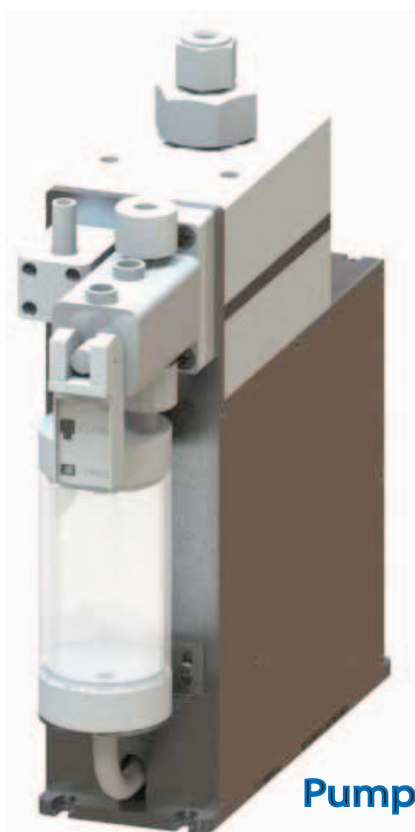
HIGH VISCOSITY PR PUMP

- ❑ DC Servo motor pump for constant dispenses
- ❑ Driving Method
Edgeless Outer Type Bellows, No ripple, & No shaking
- ❑ Save Maintenance Time
 - Easy Purge Function (bottle → buffer → nozzle)
 - Optimized Buffer Tank
- ❑ Bubble Reduction Function
- ❑ Signal is same as RRC Pump (ACT/MARK)
- ❑ Special Welding
- ❑ No Leak Point

Model: **TP - 60BR**



Interface Board

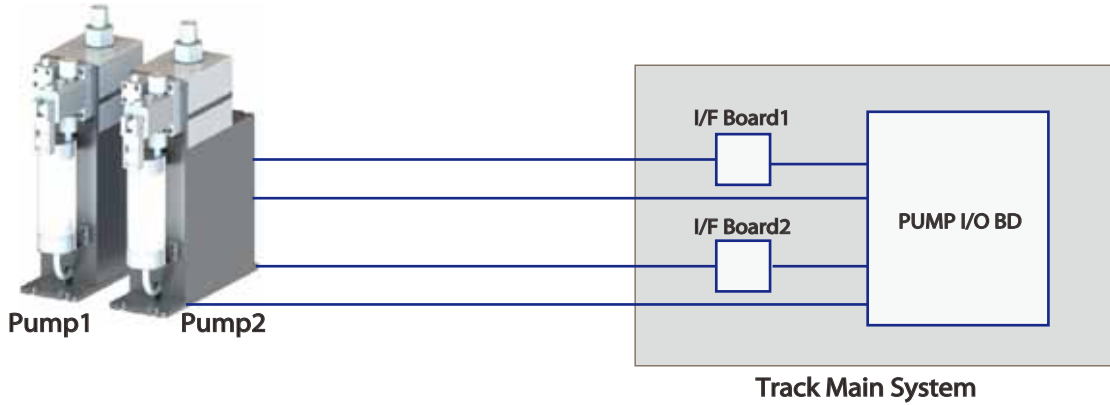


Pump

TALON PUMP

Photo Resist Pump

Configuration



Specifications

ITEM	DESCRIPTION
Process	
Maximum Dispense Volume	10.0cc
Dispense/ Reload Rate	0.1cc/sec ~ 1.0cc/sec
Dispense Volume Resolution	0.05cc
Dispense Repeatability	≤ ±0.05(0.8cp, 23 °C)
Viscosity	0~10,000cp
Electrical Specification	
Drive System	DC Servo Motor, Drive current: 300 ~500mA/cycle
Power Source	Motor Driver : DC24V, Home Sensor : DC5V
Hardware	
Input Pulse vs Dispense Volume	800 pulse(full step) /1cc
Resist In/ Out/Vent	3/8 Inch Teflon
Input Pulse vs Encoder Output Pulse	Full step-1:1
Weight	3.5kg
Dimension	72(W) × 300(D) × 295(H)mm

Strongly Recommendation

1. The distance between the pump & the PR bottle must be less than 1.5meter.
2. If longer than 1.5meter, strongly recommend to discuss Talon Tech Co.,Ltd

Characteristics

