

MTRJ FIELD TV



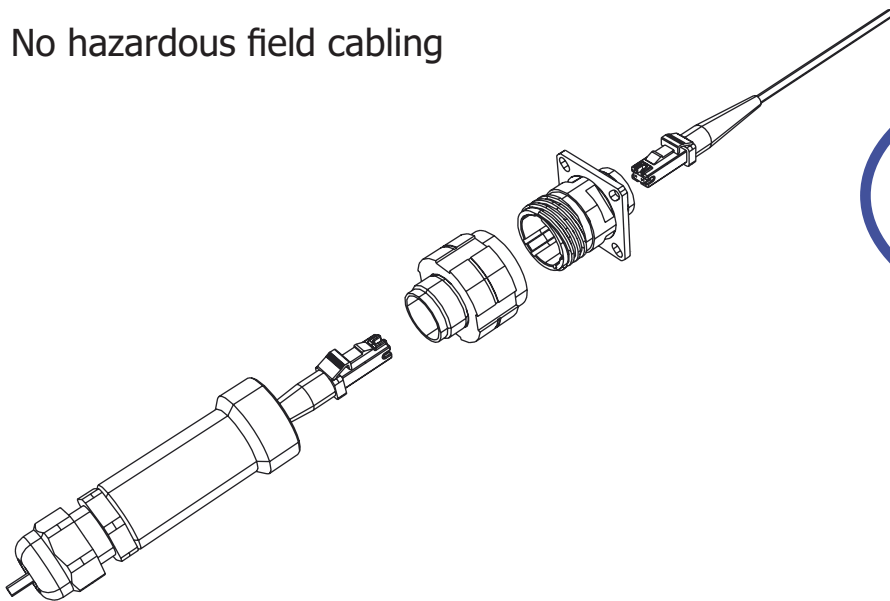
Ethernet Connection System For Harsh Environment

The MTRJ Field offers an easy system to upgrade from a standard to an environmental MTRJ.

- Sealed against fluids and dust (IP67)
- Shock, Vibration proof,
- No cabling operation in field and no tools required for installation

With the patented RJStop[®] system you can use a standard MTRJ patchcord in a metallic plug which will protect it from shocks, dust and fluids.

No hazardous field cabling



This metallic plug is connected into a receptacle, using a Tri Start Thread coupling mechanism (MIL-DTL-38999 series III type) with anti-decoupling device for high vibrations.

Optical performance :

- Number of Channel : 1/2/4
- typical Insertion Loss : 0,5db in MM
- Durability 500 mating/unmating cycles (changes for <0,2 db)



Transform your MTRJ patchcord into an Environmental Connector

Applications Data acquisition and transmission in Harsh Environment

- Railways
- Radars
- Shelters
- Battlefield communication systems
- Navy

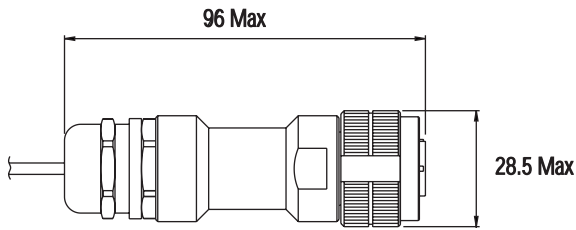
Amphenol
Socapex

Fibre Optic Business Division

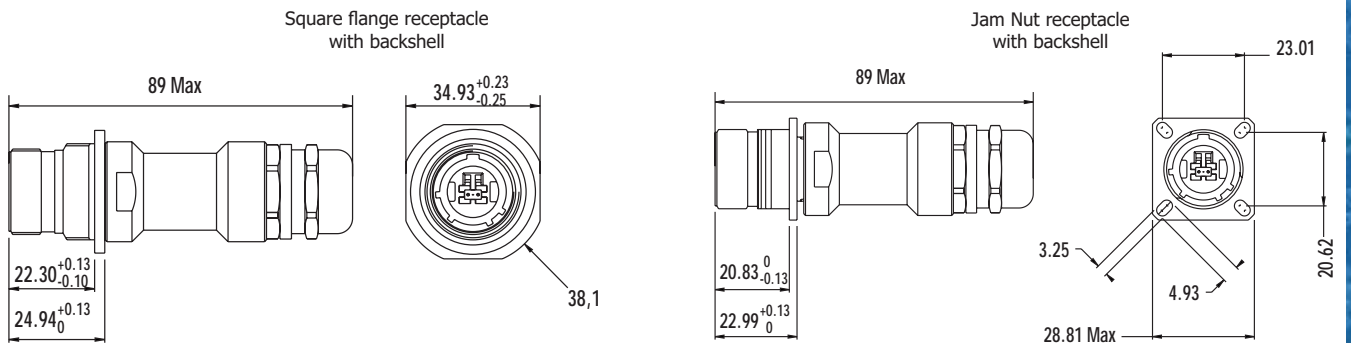
MTRJ FIELD TV

LINE DRAWING

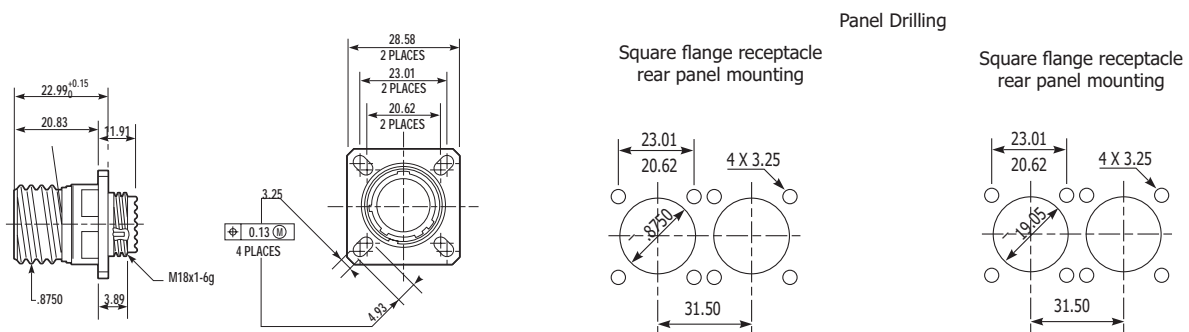
- **Plug (MIL DTL 38 999 series III Size 13)**



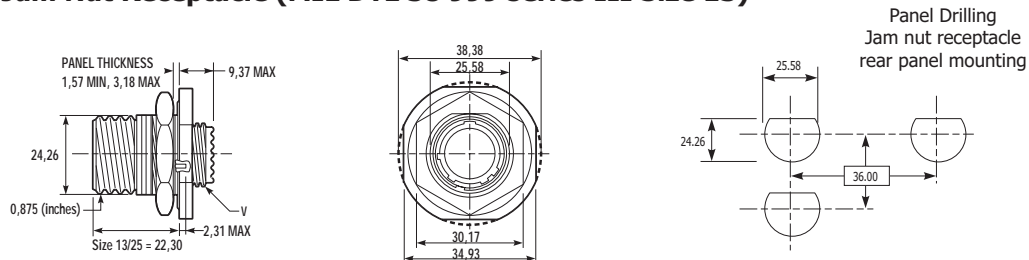
- **Receptacle with plug (MIL DTL 38 999 series III Size 13)**



- **Square Flange Receptacle (MIL DTL 38 999 series III Size 13)**

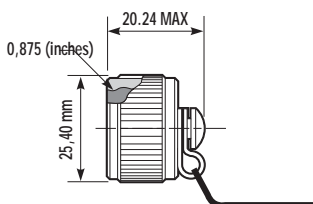


- **Jam Nut Receptacle (MIL DTL 38 999 series III Size 13)**

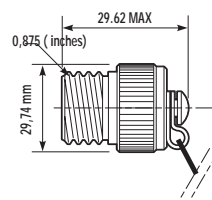


- **Protective caps**

Protective cap for plug (nylon cord)



Protective cap for receptacles (nylon cord)



MTRJ FIELD TV



- MTRJ FIELD Ordering informations**

Serie : MTRJ Field TV	MTRJF TV	6M	C	G	N
Shell type					
6 : Plug with metal backshell, plastic PG clamp					
6M : Plug with metal backshell and metal PG clamp					
2 : Square flange receptacle					
2PE : Sq. flange, metal backshell and plastic PG clamp					
2PEM: Sq. flange, metal backshell and metal PG clamp					
7 : Jam nut receptacle					
7PE : Jam nut, metal backshell and plastic PG clamp					
7PEM: Jam nut, metal backshell and metal PG clamp					
Cable type					
C : Mini round cable 2,8 mm					
D : Flat duplex cable 1,6 mm					
S : Duplex zipcord 1,6 mm					
0 : Receptacle without backshell					
T : Mini round cable 2,8 mm or Flat duplex cable 1,6 mm or Duplex zipcord 1,6 mm					
Shell finish					
N : Nickel plated					
G : Olive drab cadmium plated					
B : Bronze					
Polarization					
N : Normal					
A / B / C / D / E					

- DUST CAP Ordering informations**

CAP Series :	B	EC	N	TV	W	13
Protective cap type						
EC : For square flange receptacle						
ER : For jam nut receptacle						
F : For plug						
Wire type						
N : Nylon cord						
Blank : Metallic chain						
TV : Series						
Shell finish						
B : Bronze						
F : Electroless nickel plated, aluminium version						
W : Olive drab cadmium plated, aluminium version						

- Requested information to order MTRJ Field Patchcord**

Plug MTRJ : Male /Female
 Type of fiber : 50/125, 62,5/125, 9/125
 Patchcord length : ex 10.5m
 Drawing : description of the product

Contact us for other configuration

- Dismounting Tool Ordering Informations**

MTRJFTV DM TOOL

Amphenol, your Worldwide Interconnect Partner !

50 manufacturing and assembly operations on 5 continents
Sales, marketing and distribution organizations in 60 countries

Amphenol Corporation is one of the world's leading producers of electronic and fiber optic connectors, cable and interconnect systems.

Our company's focus is on producing connecting devices for the converging technologies of voice, video and data transmission, for wired and wireless internet and broadband networks, as well as industrial, automotive and aerospace industries.

Fiber Optic Operations

EUROPE

AMPHENOL EASTERN EUROPE
Sanatorium Strasse 19-16-1 - 1140 Vienna
Austria
Telephone: 43-19-85-15-11
Fax: 43-19-82-61-01

AMPHENOL AIR LB France
11 avenue Dubonnet
92407 Courbevoie Cedex
France
Telephone: 33-1-4905-3000
Fax: 33-1-4905-3010

**AMPHENOL SOCAPEX
MIL-AERO & INDUSTRIAL Business Unit**
948 Promenade de l'Arve - B. P. 29
74311 Thyez Cedex
France
Telephone: 33-4-5089-2800
Fax: 33-4-5096-1941

AMPHENOL AIR LB GmbH
Am Kleinbahnhof 4 - 66740 Saarlorius
Germany
Telephone: 49-6831-981-00
Fax: 49-6831-981-030

AMPHENOL ITALIA
Via Barbaiana 5, 20020 Lainate - Milano
Italy
Telephone: 39-02-932-54-209
Fax: 39-02-932-54-444

AMPHENOL IBERICA
Edificio "Burgosol" officina n55
C/Comunidad de Madrid, 35-bis - 28230 Las Rozas
Spain
Telephone: 34-91-640-7302
Fax: 34-91-640-7307

AMPHENOL SCANDINAVIA
Box 2047, Johannelsundsvägen 2
194 02 Upplands Väsby
Sweden
Telephone: 46-8-594-10440
Fax: 46-8-590-33800

AMPHENOL BENELUX
Hoofdveste 19 - 3992 DH Houten
The Netherlands
Telephone: 31-17-244-4903
Fax: 31-17-224-0254

**AMPHENOL EUROPEAN
SALES OPERATIONS**
Hoofdveste 19 - 3992 DH Houten
The Netherlands
Telephone: 31-30-635-8000
Fax: 31-30-637-7034

AMPHENOL LIMITED WHITSTABLE
Thanet Way, Whitstable - Kent, CT5 3JF
United Kingdom
Telephone: 44-1227-773-200
Fax: 44-1227-276-571

AMPHENOL LIMITED NOTTINGHAM
Unit D1 Crossgate Drive, Queens Drive Industrial
Estate - NG2 1LW - Nottingham
United Kingdom
Telephone: 44-1159-866-200
Fax: 44-1159-866-212

AMERICAS

**AMPHENOL AEROSPACE OPERATIONS
AMPHENOL INDUSTRIAL OPERATIONS**
40-60 Delaware Street
Sidney, New York 13838-1395
USA
Telephone: 1-607-563-5011
Fax: 1-607-563-5157

AMPHENOL BACKPLANE SYSTEMS
18 Celine Avenue
Nashua, New Hampshire 03063
USA
Telephone: 1-603-883-5100
Fax: 1-603-883-0171

AMPHENOL FIBER OPTIC PRODUCTS
1925A Ohio Street
Lisle, Illinois 60532
USA
Telephone: 630-960-1010
Fax: 630-810-5640

AMPHENOL CANADA CORPORATION
20 Melford Drive - Scarborough, Ontario M1B 2X6
Canada
Telephone: 1-416-291-4401
Fax: 1-416-292-0647

1870 boul. des Sources, Suite 204
Pointe Claire, Quebec H9R 5N4
Canada
Telephone: 1-514-630-7242 ext. 225
Fax: 1-514-630-7697

**AMPHENOL AIR LB
NORTH AMERICAN OPERATIONS**
295 Kesmark, Dollard-des-Ormeaux Quebec H9B 3J1
Canada
Telephone: 1-514-421-2153
Fax: 1-514-421-3408

R.O.W.

AMPHENOL ARGENTINA
Av. Callao 930 2do piso Oficina B "Plaza" - C1023
AAP Buenos Aires
Argentina
Telephone: 54-11-4815-6886
Fax: 54-11-4814-5779

**TFC SOUTH AMERICA
BUENOS AIRES, ARGENTINA**
Local Sales Office - Tucuman 540
Suite 28 "C"
C1049AAL- Buenos Aires
Argentina
Telephone: 54-11-4325-3471
Fax: 54-11-4327-1339

AMPHENOL AUSTRALIA PTY LIMITED
2 Fiveways Blvd., Keysborough
Melbourne, Victoria 3173
Australia
Telephone: 61-3-8796-8888
Fax: 61-3-8796-8801

AMPHENOL DO BRAZIL
Rua Diogo Moreira, 132-201 andar
CEP: 05423-010 B Sao Paulo-SP
Brazil
Telephone: 55-11-3815-1003
Fax: 55-11-3815-1629

CHINA (FOP)
3rd Floor, The 4th Ind. District of Ind. Headquarters -
Dong Keng Road,
Gong Ming Town
Shenzhen 518132, Guangdong Province
PR China
Telephone: 86-755-717-7945
Fax: 86-755-717-7622

AMPHENOL EAST ASIA LIMITED
2201 Railway Plaza, 39 Chatham Road South
Tsmishatsui, Kowloon
Hong Kong
Telephone: 852-2699-2663
Fax: 852-2691-1774

AMPHENOL INDIA
105 Bhosari Industrial Area - Pune 411 026
India
Telephone: 91-20-712-0363/712-0463/712-0155
Fax: 91-20-712-0581

BAR TEC LTD
4 Hagavish St., PO Box 279 - Kfar Saba 44102
Israel
Telephone: 972-9-767-4097
Fax: 972-9-767-4324

AMPHENOL JAPAN MILAERO INDUSTRIAL
689-1, Aza Nogami, Iseochi Ritto-cho
Shiga 520-3044
Japan
Telephone: 81-77-553-8501
Fax: 81-77-551-2200

AMPHENOL DAESHIN
558 SongNea
Sosa, Bucheon, Kyunggi 422-040
Korea
Telephone: 82-32-610-3800
Fax: 82-32-673-2507

AMPHENOL MEXICO
Piso 2 - CP 11560
Mexico
Telephone: 52-5-254-7283
Fax: 52-5-531-9659

AMPHENOL SOUTH AFRICA
Sandown Village
East Court, 1 Gwen Lane Corner Maude Street
Sandton 2146
South Africa
Telephone: 27-11-305-9574
Fax: 27-11-305-9576

AMPHENOL TAIWAN CORPORATION
No. 116, Lane 956, Zhong Shan Road
Taoyuan City, R. O. C., 330
Taiwan
Telephone: 886-3-379-5677
Fax: 886-3-360-7259 Sales/CS/Eng./QA/MIS

GESTAS
34630, Besyoi D Londra Asfalti
Florya is Merkezi
Kat. 2 - Sefakoy / Istanbul
Turkey
Telephone: 90-212-624-52-29
Fax: 90-212-599-30-68