

# Amphebus

## Field Bus Interface System



### Description

Amphebus is a universal bus interface connector system specially designed for field applications in harsh environment (shocks, vibrations, EMI / RFI perturbations).

Its large inside room can accept different types of circuit configurations, which allows it to be used with the most current bus standards as FIP, CAN, Profibus...

The connexion to the bus is done by a 9 pin high performances Amphenol DSub connector enclosed in a full metallic box, providing robustness and high EMI / RFI protection.

Network input and output with two strong metallic clamps enables robust cable clamp and grounding.

**Secure your Field Bus Connection with Amphebus !**

### Main Characteristics

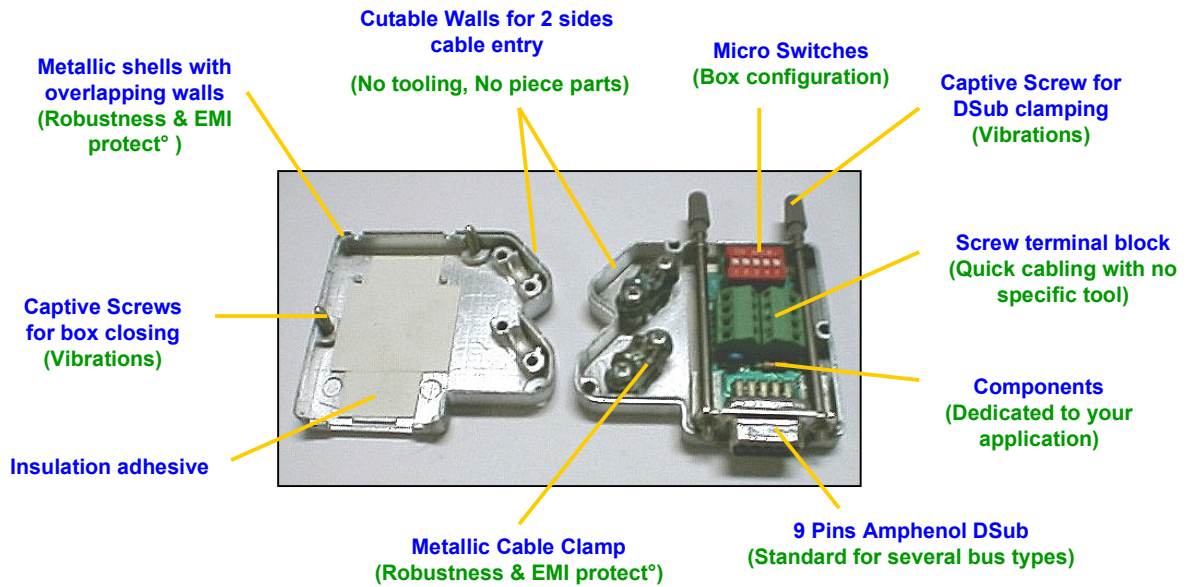
- No tools required for wiring... except your screw driver !
- Cable entry from the right or from the left with the same box, due to breakable walls
- Captive screws for the Box
- DSub clamping by 2 captives UNC 4.40 screws
- Salt spray : 96h / Class ST4
- Temperature range : -40°C / +85°C
- Vibrations : EN 50155
- EMI Protection : ENV 50121-2-3
- Protection against Fire : NFF 16102 cat. A1
- Sealable (compound injection)
- Mating / Unmating cycles : 500
- DSub standard : NFC 93-425 / HE501
- Configuration by the user (micro switches) in bus node or bus termination
- Circuit configuration depending on your need

### Application

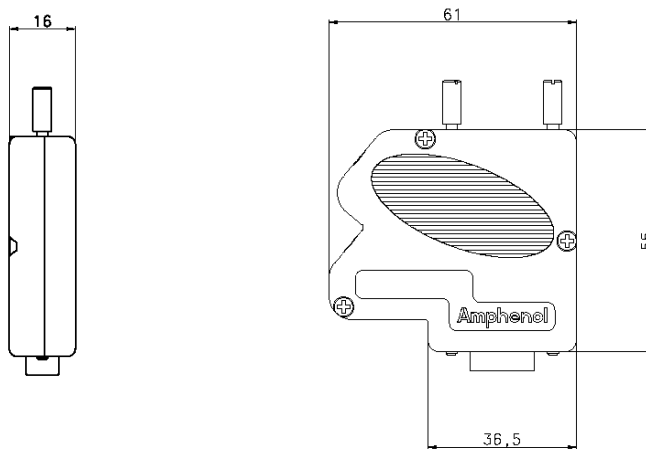
- Field Bus Interface for Harsh environment

DOC-AMPHEBUS-ENG-B

# Inside Configuration



# Outside Dimensions (in mm)



For your circuit configuration, please fax back (+ 33 4 50 96 29 75 ) your request that you can describe here :